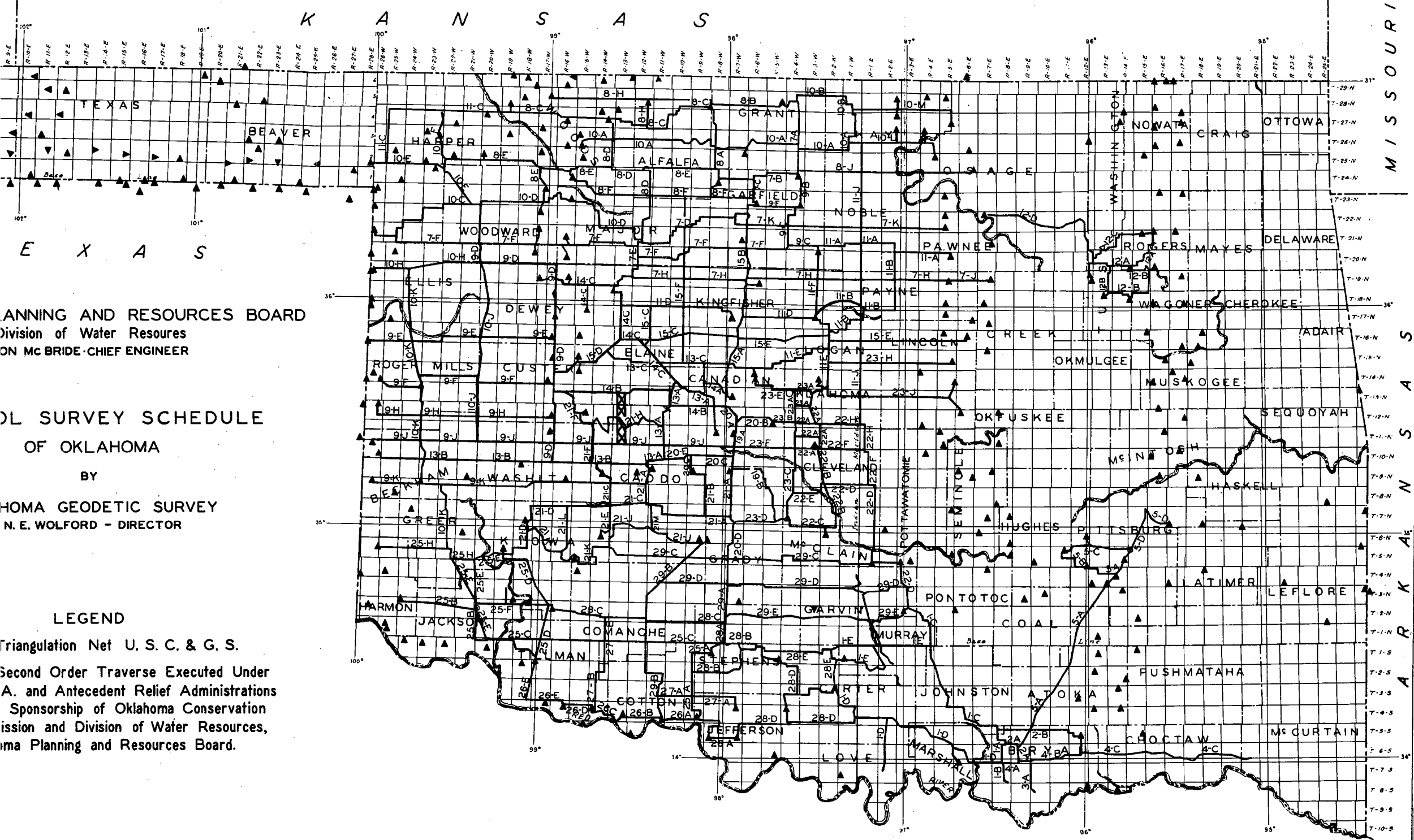


PLANNING AND RESOURCES BOARD
 Division of Water Resources
 DON MC BRIDE - CHIEF ENGINEER

2ND SURVEY SCHEDULE
 OF OKLAHOMA

BY
 OKLAHOMA GEODETIC SURVEY
 N. E. WOLFORD - DIRECTOR

LEGEND
 Triangulation Net U. S. C. & G. S.
 Second Order Traverse Executed Under
 A. and Antecedent Relief Administrations
 Sponsorship of Oklahoma Conservation
 Commission and Division of Water Resources,
 Oklahoma Planning and Resources Board.



T E X A S

OKLAHOMA GEOLOGICAL SURVEY

ROBERT H. DOTT, Director

Bulletin No. 61

TRAVERSE AND LEVELING IN OKLAHOMA

Part II, Northwestern Oklahoma

Compiled by

N. E. WOLFARD

Associate Professor of Civil Engineering

University of Oklahoma

Data secured through Work Projects Administration and other relief projects,
sponsored by State Conservation Commission and Division of Water
Resources of the Oklahoma Planning and Resources Board.
Manuscript prepared under WPA project
65-1-65-212.

Norman

1940

UNIVERSITY OF OKLAHOMA BOARD OF REGENTS

LLOYD NOBLE, President..... *Ardmore*
JOSEPH C. LOONEY, Vice President..... *Wewoka*
EUGENE P. LEDBETTER..... *Oklahoma City*
CLAUD C. HATCHETT..... *Durant*
JOE W. MCBRIDE..... *Anadarko*
CLAUDE S. CHAMBERS..... *Seminole*
CLAUDE C. HOPPER, JR..... *Eufaula*

E. R. KRAETTLI, *Secretary*

DR. WILLIAM BENNETT BIZZELL, President
University of Oklahoma

OKLAHOMA PLANNING AND RESOURCES BOARD

GOVERNOR LEON C. PHILLIPS, Ex-Officio Chairman. *Oklahoma City*
T. ELMER HARBOUR, Acting Chairman..... *Muskogee*
FRANK RAAB..... *Canton*
R. BRANNAN..... *Marietta*
R. R. OWENS, Secretary..... *Oklahoma City*

DIVISION OF WATER RESOURCES

DON MCBRIDE, Chief Engineer

COOPERATING AGENCIES

FEDERAL

Civil Works Administration
Emergency Relief Administration
U. S. Coast and Geodetic Survey
U. S. Geological Survey

STATE

University of Oklahoma
College of Engineering
Oklahoma Agricultural and Mechanical College
Division of Engineering
Oklahoma State Highway Commission

CORPORATE

St. Louis-San Francisco Railway
Oklahoma Railway Company
Phillips Petroleum Company

C O N T E N T S

Section I

	Page
Foreword.	1
Vicinity Map and Drawings of Markers (Plate I).....	3
The Plane Coordinate System for Oklahoma	4
Azimuths	5
Instructions for Resetting Monuments.....	5
Traverse Monument Location, Description, Position and Elevation.	
7-B --- Hunter to Goltry	9
7-C --- Kremlin to Enid	11
7-D --- Enid to Fairview	12
7-E --- Fairview to Canton	16
7-F --- Shattuck to Mitchell Triangulation Station	19
7-H --- Longdale to Yale	32
8-A --- Sand Hill Triangulation Station to Ringwood	36
8-B --- Sand Hill Triangulation Station to Renfrow	40
8-C --- Sand Hill Triangulation Station to Freedom	42
8-D --- Alva to Fairview	50
8-E --- Ft. Supply to McCoy Triangulation Station	54
8-F --- Waynoka to Enid	64
8-H --- Sand Hill Triangulation Station to White Horse ..	71
9-D --- Woodward to Cordell	77
9-E --- Putnam Triangulation to Washita Triangulation Sta.	90
9-F --- Reydon to Arapaho	96
9-H --- Clinton to Rankin	102
9-J --- Sweetwater to Union City	109
U. S. Supreme Court Mile Corner post --- Texas and Oklahoma	
boundary markers.....	125
10-A --- Medford to Inman Triangulation Station	127
10-C --- Woodward to Shattuck	136
10-D --- Fairview to Woodward	142
10-E --- Woodward to Speer Moore	149
10-F --- Supply to Buffalo	152
10-H --- Vici to Santa Triangulation Station	154
10-J --- Vici to Elk City	156
10-K --- Arnett to Sayre	162
11-C --- Flat Top Triangulation Station to Freedom	168
11-D --- Kingfisher to Eagle City	175
13-A --- El Reno West Base to Geary to Lockeba	180
13-C --- Okarche to Fay	166
14-A --- Caddo Triangulation Station to Calumet	191
14-B --- Calumet to Burgtorf Triangulation Station	192
14-C --- Geary to Lenora	197
15-A --- Caddo Triangulation Station to Hennessey.....	204
15-B --- Hennessey to Enid	207
15-C --- Kingfisher to Watonga	210
15-D --- Eagle City to Arapaho	215
15-F --- Ringwood to Greenfield	218
20-A --- El Reno East Base to El Reno	221
21-F --- Alfalfa to Arapaho	223
21-H --- Friesen Triangulation Station to Hinton	226
Oklahoma Triangulation --- El Reno to Geary	228
Hydro Triangulation --- Hydro to Colony	229
Projection Schedule Map (Plate II).....	230
Control Survey Schedule Map (Insert)	231

Section II

	Page
Foreword.....	232
Standard Marks of the U.S. Coast & Geodetic Survey (Plate III) ...	232
Forms and Markings of Bench Marks.....	233
Line # 7; Enid to Woodward.....	236
Line # 7-A; Canadian, Texas to Woodward, Oklahoma	239
Line # 9; Turpin to Waynoka	242
Line # 9-A; Freedom, Oklahoma to Larned, Kansas.....	245
Line # 14; Arapaho, Oklahoma to Anthony, Kansas.....	246
Line # 15; Vici to Tulsa.....	250
Line # 16; Woodward, Oklahoma to Minneola, Kansas.....	254
Line # 18; Dalhart, Texas to Liberal, Kansas.....	256
Line # 18-A; Oakley, Kansas to Shamrock, Texas.....	258
Line # 20; Stinnet, Texas to Guymon, Oklahoma.....	260
Line # 21-B; Kingfisher to Watonga.....	260
Line # 24; Cheyenne Wells, Colorado to Dalhart, Texas.....	261
Line # 26; Shattuck to Sayre.....	262
Line # 26-A; Stratford, Texas to Shattuck, Oklahoma.....	265
Line # 26-B; Cheyenne, Oklahoma to Briscoe, Texas.....	265
Line # 28; Woodward, Oklahoma to Quanah, Texas.....	266
Line # 30; Seiling to Clinton.....	269
Line # 32; Geary to Okeene.....	270
Line # 34; Manchester to El Reno.....	271
Line # 34-A; Medford, Oklahoma to Carthage, Missouri.....	273
Line # 47; Orienta to Belva.....	274
Line # 61; Kiowa, Kansas to Cherokee, Oklahoma.....	275
Line # 63; Harper, Kansas to Avard, Oklahoma.....	275
Line # 67; Guymon, Oklahoma to Clayton, New Mexico.....	277
Line # 68; Texhoma, Oklahoma to Point Rock, Kansas.....	280
Line # 69; Rolla, Kansas to Guymon, Oklahoma.....	283
Line # 70; Folsom, New Mexico to Wheelless, Oklahoma.....	284
Index Map, Leveling in Oklahoma (Plate IV).....	286
Reference Bibliography.....	287
Key to Abbreviations.....	287

F O R E W O R D

To facilitate progressive publication and distribution it was deemed expedient to divide the state into four districts, viz., NE, NW, SW & SE; the division lines being approximately parallel of latitude 35 degrees 30' and the 98th Meridian. Part I, Southwestern Oklahoma containing projection tables for the Lambert Grid was published in 1938 as Oklahoma Geological Survey Bulletin No. 58

Section I of this report comprises the results of Second Order Traverse and Second and Third Order Leveling executed in Northwestern Oklahoma under Relief Projects set up for the purpose of furnishing emergency employment to engineers, surveyors and other professional and semi-professional personnel.

The work was initiated in December 1933, under the Civil Works Administration. The first project was sponsored by the U. S. Coast and Geodetic Survey under direct supervision of Professor N.E. Wolfard as its State Representative. Continuing projects were sponsored by the Oklahoma State Conservation Commission in cooperation with the Federal Emergency Relief Administration, the Works Progress Administration, and the Work Projects Administration, under which operations are now in progress. The Oklahoma Planning and Resources Board is sponsor of the current project. Professor Wolfard has administered the survey throughout.

All operations have been executed under U. S. Coast and Geodetic Survey specifications for the respective order of process. Obviously many difficulties were encountered due to the necessary employment of untrained personnel, to "shifting" and part-time employment periods, and to lack of high grade equipment. Notwithstanding these drawbacks, "results to specifications" have been insistently demanded and secured as evidenced by numerous checks through intersecting traverses. Many of these data have been used and checked by the U. S. Army Engineers, the U. S. Bureau of Reclamation and other engineering organizations requiring a high degree of accuracy. An occasional error in description, elevation or position is bound to appear in the operations of this magnitude and information relative to any apparent error or discrepancy should be forwarded to the Office of the Oklahoma Geological Survey at Norman.

Permanency of monument location has been sought for but in some instances has been difficult to secure due to natural conditions combined with traverse performance limitations and justifiable cost. In some instances, monuments were placed closer than desirable to traveled ways or in other less protected locations due to consideration of measurement and sight facility without undue expense for "clearing line".

These monuments as well as other government survey monuments represent real money expended, but commensurate with this expenditure is a real basic value to the engineer, the planner, the geologist, the geophysicist, the terrestrial research man, the builder, the property owner, the military commandant, therefore to the general public who are the clientele and benefactors of the artisan and planner.

In the interest of preserving the maximum number of these control monuments there has been incorporated herein "Instructions for Resetting Control Survey Monuments and Bench Marks."

A Rectangular Coordinate system based on Lambert Conformal Projection has been established for Oklahoma and projection tables computed by the U. S. Coast and Geodetic Survey.

Traverse in Northwestern Oklahoma

An index map showing the location and identification numbers of the several traverses is appended. The data have been arranged in alphabetic order of traverse and in numerical order of stations within the traverse.

In order to maintain a nominal scale-factor, Oklahoma has been divided into a North Projection Zone and a South Projection Zone. These zones overlap 20 minutes of latitude thus placing each of the central East-West tier of counties wholly subject to either the North or South Projection. An index map showing the zone boundaries is appended. For zone borderline traverses, rectangular coordinates based on both the North and South Projections have been computed as well as the Geographic positions (latitude and longitude).

Section II of this report comprises the results of First Order and Second Order Spirit Leveling executed in Northwestern Oklahoma by the U.S. Coast and Geodetic Survey. This work has been accomplished periodically during the past thirty years.

Results of First Order and Second Order Triangulation executed in this area by the U.S. Coast & Geodetic Survey have not been included herein for the reason that a portion of the same is now available in bulletin form at the office of the Superintendent of Documents in Washington, D.C., and the remainder of the data may be secured, on request from the Director of the U.S. Coast and Geodetic Survey, Washington, D.C.

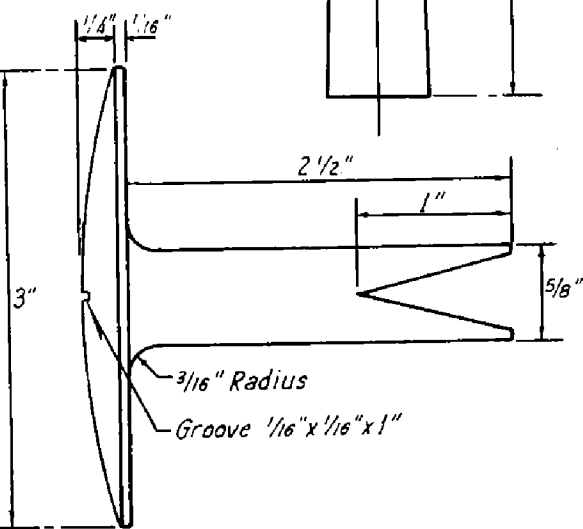
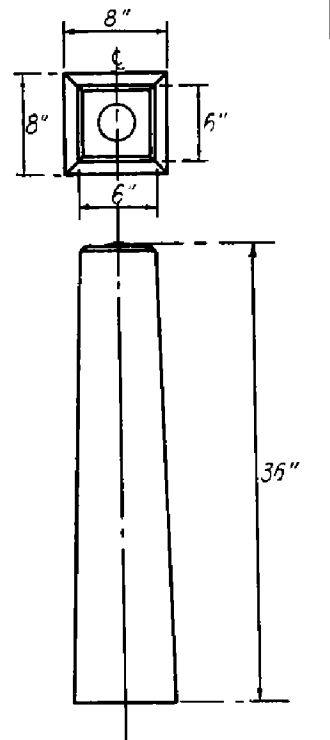
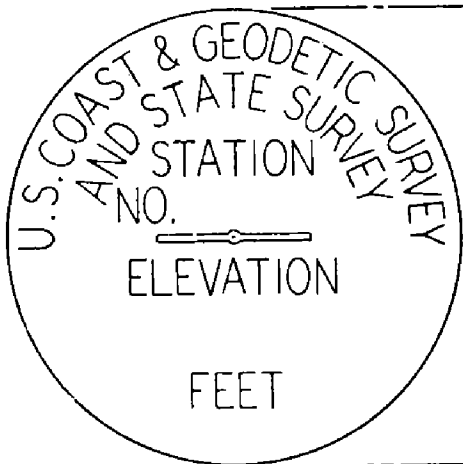
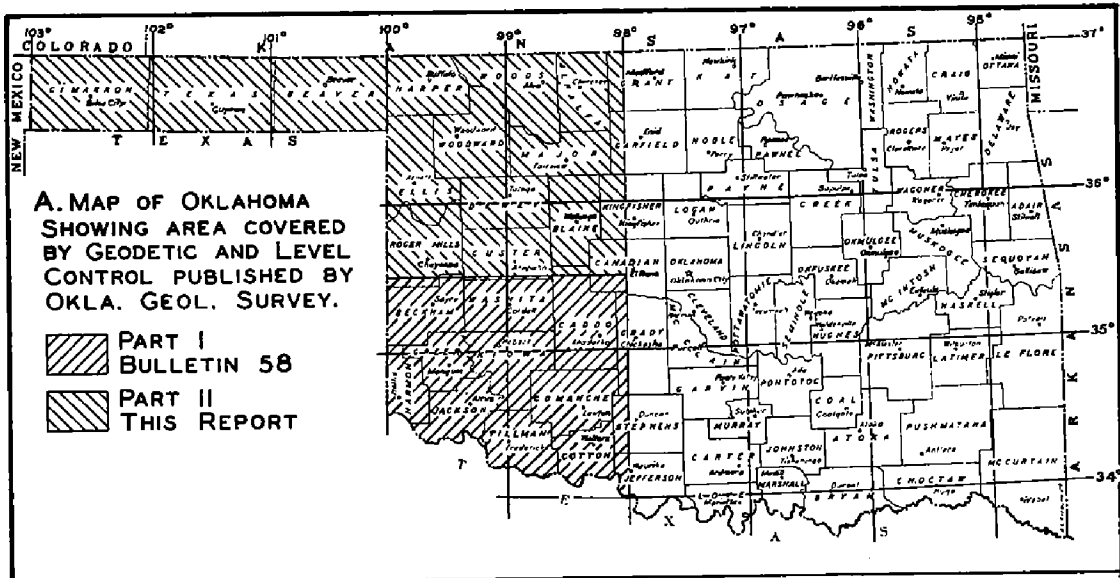
Appended is an index map showing the location and arbitrary designation numbers of the various level circuits for the purpose of facilitating reference to the published data. The data have been arranged according to the numerical order of the arbitrary designation numbers. Also appended is a list of publications of the U.S. Coast and Geodetic Survey which treat in detail of the field and office procedure in executing various types of surveys. Special Publications, No's, 193 and 194 entitled respectively, "Manual of Plane-Coordinate Computation" and "Manual of Traverse Computation on the Lambert Grid" will be of special interest and value in the fullest utilization of the data presented in this volume.

Engineers and surveyors have not availed themselves of the wealth of field control data and published information executed by the U. S. Coast and Geodetic Survey. The issuance of this series of "Traverse and Leveling in Oklahoma," in addition to the publications of the Coast & Geodetic Survey will provide effective uniform vertical and horizontal control data throughout the western portion of Oklahoma and a considerable fund of data for the Eastern portion of the State.

Through the state coordinate grid described above, the engineer, and the planner are afforded uniform base control of geodetic scope and accuracy which can be used with the facility and simplicity of plane surveying and computation.

It is anticipated that public bureaus and corporate and private firms engaged in surveying, mapping, investigating and charting of natural resources and in the planning and coordinating of public and private enterprise will glimpse the utility and facility of this uniform accurate control data at their command and make immediate, continuous and extended use of the same.

N. E. Wolfard



B. STANDARD CONCRETE MONUMENT AND BRONZE DISKS USED BY OKLAHOMA GEODETIC SURVEY FOR TRAVERSE STATION IDENTIFICATION

THE PLANE COORDINATE SYSTEM
for
OKLAHOMA

In order to employ a system of rectangular coordinates throughout an extended area, and hold the scale error determinant and within reasonable limit, it is necessary to select a type of method of projection which will conform to the area under consideration.

The Lambert Conformal Projection has been considered as most adaptable to the State of Oklahoma by the U. S. Coast & Geodetic Survey, which bureau has established a standard system of projection for each state in the Union. The following paragraphs are quoted from the Bureau's Special Publication #193.

NEED OF PLANE SYSTEMS COVERING GREATER AREAS

"The progressive engineers of the country have become convinced that there is need for plane-coordinate systems that can be extended over wider territory without the introduction of discrepancies that vitiate the value of the work. Of course if all engineers would use geodetic computations there would not be need for such aids, but they do not favor this method of handling the situation. Work is started as a limited project for which a local coordinate system is amply sufficient and it is only when the undertaking is broadened to wider fields that the difficulties arise. When it becomes necessary to make use of the national control surveys to serve as basis for local work, the need for the more extensive coordinate system is most painfully evident. It is quite a task to base local engineering work on basic control that has been computed geodetically; that is, the results of which are expressed in latitudes, longitudes, azimuths, and lengths. It can be done of course, but not as satisfactorily as it could be done if the control work were computed directly on a plane-coordinate system. These are the reasons that have led to the insistent demand for the establishment of systems for whole states or for as large sections of each state as could be constructed without the introduction of too many complications in the method of using the system when it is once established."

ADVANTAGES TO LOCAL SURVEYORS

"The Coast and Geodetic Survey has already some 40,000 miles of control surveys fairly evenly distributed throughout the country at large. This network is being rapidly extended, and soon any place in the country will be near enough to this control system to make it a valuable asset as a basis for any engineering work. If the extended plane-coordinate systems are established and this control work is computed on the resulting grids, then the local surveyor can start his work from neighboring control points and make all of his computations on the general plane system just as he would do on any local system that he might establish. He would have the added advantage that his work would be coordinated with the general control system of the country and, therefore, if his work should be preserved, it could form the control for future engineering operations in that vicinity."

Control Traverse executed under the sponsorship of the Conservation Commission of Oklahoma and its successor bureau, the Water Resources Division of the Oklahoma Planning and Resources Board in cooperation with the Federal Work Projects Administration and its antecedents, supplements the triangulation control which has been established in Oklahoma by the U. S. Coast and Geodetic Survey.

With the plane-coordinates made available through this and succeeding publications, together with current and future publications of the U. S. Coast & Geodetic Survey, the engineer and surveyor will rarely need to employ geodetic computation procedure except in passing from one projection zone to another or in converting his data from one projection system to another. The familiar latitude and departure procedure will suffice in all but extraordinary cases. It is anticipated that the engineer will avail himself of publications heretofore mentioned treating of computation methods and procedure, consequently they have been omitted herein.

AZIMUTHS

The azimuths noted and derived from plane coordinates in this publication are grid azimuths. They are reckoned in a clockwise direction from the South.

MONUMENTS AND MARKERS

On initiation of these control surveys, a standard precast concrete monument in the form of a pyramid frustum was adopted. A sketch and dimensions of the same are shown on Plate I-B. On this plate also are shown the types of bronze disks employed for stamping station identification.

Unless otherwise stated, all stations consist of the standard concrete monuments and bronze disk.

The station descriptions should carry sufficient information and "local ties" to insure future recovery and also indicate whether or not the monument remains in its original position. Some of these monuments are bound to be disturbed by the progress of development. It is hoped that in many instances the monument may be reset and the record of new location and elevation preserved as set forth in the instructions following.

I N S T R U C T I O N S for

Resetting Control Survey Monuments and Bench Marks

It seems inevitable that a number of position monuments and bench marks which have been set by the U.S. Coast and Geodetic Survey and by the U. S. Geological Survey and relief organizations working in cooperation with the above agencies must necessarily be moved in the improvement and extension of highways.

It should be kept in mind that two distinct classes of monuments will be encountered, viz., bench marks, perpetuating elevations only, and triangulation and traverse monuments perpetuating both elevation and position. The bronze disk stamping will indicate the class of each monument. Monuments bearing elevation only are stamped with designation letter, number and date, thus, - M 107 1934, and may or may not be stamped B.M. Triangulation stations show the triangle form molded on the bronze plate, together with the name of station and date established. Triangulation reference and azimuth monuments bear the name of the triangulation station and "Ref." or "Azim." respectively. Traverse stations bear numeral letter, numeral designation, thus - 22-A-6, together with date and TT (Transit Traverse).

IN MAKING INQUIRY OR REFERRING TO ONE OF THESE MONUMENTS ANYWHERE, ANY TIME, TO ANYONE, THE COMPLETE DESIGNATION STAMPING SHOULD BE GIVEN FOR COMPLETE IDENTIFICATION.

The U. S. Coast and Geodetic Survey has issued the following general instructions in regard to resetting bench marks perpetuating elevation only:-

"With special reference to the matter of relocating bench marks when they are found to be in the way of construction, repair, or maintenance projects, this bureau has worked out a routine method of handling these cases as follows:"

"As soon as it becomes known that a mark must be moved, a letter should be sent to the Director, U. S. Coast and Geodetic Survey, Washington, D. C. Attention Section of Leveling, stating the necessity for moving the mark and giving its designation. The designation consists of the letters and numbers found to have been stamped with dies on the disk. It is desirable to furnish a rubbing of the disk as well. A rubbing can be made by placing a piece of medium weight paper over the disk, then rubbing over the paper with a hard pencil to bring out the legend cast in the disk, especially the letters and numbers stamped on it with dies."

"Upon receipt of this information, this office will send out a new disk properly stamped to show that it has been reset. Necessary instructions for the establishment of the new mark and the transfer of elevation will be sent."

"The proper procedure, in most cases is to establish the new mark in a safe place nearby and transfer the elevation from the old mark to the new one by means of an engineer's level and rod. The levels should be run in duplicate to avoid the possibility of large errors and all readings should be made to 3 decimal places in order to preserve the accuracy of the original elevation."

"The old mark should not be disturbed until the observations involved in the transfer have been checked by the observer or the recorder. An assumed elevation for the old mark may be used in the transfer since what we are primarily concerned with, in a case of this sort, is the difference in elevation between the old mark and the new one established to replace it."

"After the new mark has been established and the elevation transferred to it, the old disk should be broken out and returned to this office in a franked mailing sack which will be supplied for this purpose. A complete report on the action taken including a description of the location in which the new mark is established and a copy of the field notes involved in the transfer of elevation, should also be forwarded to this office. A franked envelope will be furnished for this purpose."

The cooperation which individuals and organizations may extend to this office in preserving the bench marks will be a service not only to this bureau and other government surveying organizations, but to anyone who may have occasion to use the marks.

TRIANGULATION STATIONS, TRIANGULATION REFERENCE AND AZIMUTH MONUMENTS SHALL NOT BE MOVED OR DISTURBED EXCEPT UNDER SPECIFIC INSTRUCTIONS FROM THE U. S. COAST & GEODETIC SURVEY OR AUTHORIZED REPRESENTATIVES.

Traverse stations may be reset under the following procedure:-

Immediately it be determined necessary to remove or reset a monument, notice to this effect should be mailed to N. E. Wolfard, Univer-

sity of Oklahoma, Norman, Oklahoma. So long as relief projects are in operation, cooperation in this work will be gladly given, but once the relief funds are cut off and the organization disbanded, there will be no opportunity for field cooperation. It will be necessary that the monuments be moved by highway parties operating in the vicinity and all notes and data pertaining to the resetting of the same be forwarded to Mr. Wolfard's office at Norman. The old bronze disk will be used and "R" plainly stamped at the left of the center bar.

DO NOT TRY TO RESET THE MONUMENT AT ELEVATION IDENTICAL WITH FORMER POSITION.

The new position for the monument must be carefully selected so that the intervisibility is secured with preceding and succeeding monuments in the traverse.

In order to determine the position (coordinates) of the monument as reset both the distance and direction of "Shift" must be carefully observed and recorded.

Carefully set the transit over the monument to be moved; set a substantial Hub (denoted A, on the accompanying sketch) with tack, at a convenient distance in the direction which the monument is to be moved; and at approximate right angle to the general course of the traverse; carefully measure and record, - check measure and record the distance between monument and Hub A, The tape must be held horizontal or if slope measure is taken then the difference of elevation of the points should be determined (by transit or hand level) and recorded so that the horizontal distance may be computed.

Next plunge the telescope and set another hub, (denoted B on the accompanying sketch) across the R/W. With transit still over the undisturbed monument carefully measure the angles from the preceding traverse station to Hub A, and from Hub A to succeeding Traverse Station. Each of these angles should be read 6 D/R and the explement or closing angle should also be read 6 D/R giving closure not exceeding 8 seconds. Now set the transit carefully over Hub A, - center on the monument and establish tack point in Hub B, carefully check the last operation since on it depends the accuracy of direction of "Shift".

The monument now may be moved and reset in concrete; carefully manipulation and tamping will be necessary in order that the monument will not "season and settle" off line. The transit will be intermittently centered on Hub B, then on the monument to insure alignment.

The distance from Hub A to the new position of monument is now measured and recorded in the same manner as the previous measurement from the original location. The difference between these measurements represent the distance of "Shift".

In case it seems desirable to postpone resetting of the monument until construction work has been finished, a duplicate set of hubs should be set so as to insure perpetuation of line and position until the monuments shall have been reset, since traverse stations perpetuate both elevation and position it is necessary that intervisibility be maintained between adjacent monuments. This must be kept in mind in choosing a new location for any given traverse point.

In transferring the elevation from the old station to the new one the same procedure will be followed as recommended by the Coast & Geodetic Survey for the transfer of elevations in resetting the bench marks as set forth above.

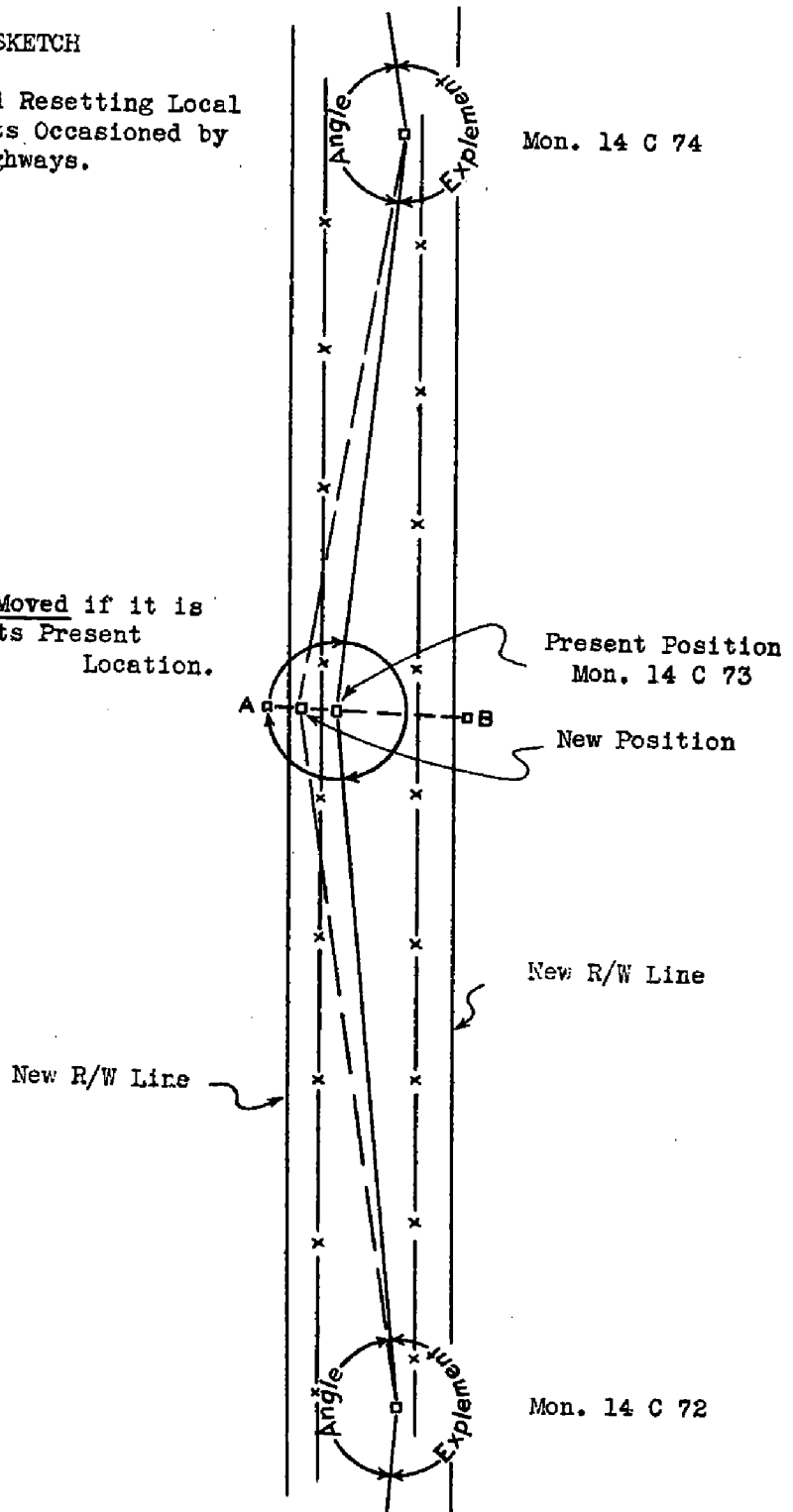
Traverse in Northwestern Oklahoma

It will be necessary to exercise a little more caution and precision in measuring both distance and angles than is used in ordinary highway work. The specifications for second order traverse call for a maximum error in angle closure of six seconds and a maximum error in linear closure of 1 in 10,000.

All data pertaining to the moving of monuments should be recorded in the regular field book for the job and abstracts of all data forwarded to the respective offices as noted above. A sketch showing details of transfer operations and bearing North indicator should accompany the notes.

ILLUSTRATIVE SKETCH
for
Procedure in Moving and Resetting Local
Control Survey Monuments Occasioned by
Widening of Highways.

No Monument Should be Moved if it is
Possible to Preserve its Present
Location.



Traverse 7-B; Hunter to Goltry
Traverse 7-B; Garfield Co.
Hahn Tri. Sta. to McCoy Tri. Sta.
North Projection

9

Hahn Tri.Sta., (Garfield Co., O.W.Ferguson, 1902) - In sec.3,T24N,
R4W; on land owned in 1902 by J.K.Myers, about 241.0 m. (791.0 ft.) N.
of S.line of sec., 15.85 m. (52.0 ft.) (slope distance) E.of line of
hedge on W.side of road & 0.11 m. (0.4 ft.) W.of line of posts on E.
side of road. Surface & underground marks are nails in terra-cotta
pipes filled with & set in conc., notes 17 & 19.

X-2,111,022.45 Y-575,495.25 El. 1121.166 ft.

Reference mark is nail in iron pipe filled with & set in conc., note
21, just within field at S.cor.of sec.3, 0.85 m. (2.8 ft.) E.of road
fence, 0.94 m. (3.1 ft.) N.of E-W fence, & 232.694 m. (763.43 ft.) from
sta.in azimuth 359°36'22". El. 1115.463 ft.

Other distances & azimuths from sta. are: stone, SW.cor.sec.3,T24N,R4W,
240.92 m. (790.4 ft.) (slope distance) 01°31'54"; tower of J.A. Meikle's
windmill, 0.62 mi., 07°23'03"; J. K. Myers windmill, 1.0 mi., 275°17'
59"; tower of A.J. Hahn's windmill, 0.37 mi., 73°33'30".

7-B-1 TT 1934; Garfield Co., 1.0 mi.N.& 0.37 mi.E.of Hunter; 2270.0
ft.E.& 23.0 ft.S.of approx.NW.cor.sec.8,T24N,R4W; 2.5 ft.N.of S.R/W
fence; 23.0 ft.S.& 1003.0 ft.E.of intersection C/L Frisco RR & road.
USC&GS & State Marker. C/L steeple on Hunter Baptist Church in azimuth
28°11'08"; C/L Pond Creek W.T.in azimuth 127°05'43"; C/L cupola on E.E.
Wulz barn in azimuth 211°15'30".

X-2,102,816.82 Y-574,683.06 El. 1096.331 ft.

7-B-2 TT 1934; Garfield Co., Located at E.edge of Hunter; 39.0 ft.
E.& 30.0 ft.N.of approx.SW.cor.sec.8,T24N,R4W; 1.3 ft.S.of N.R/W fence.
USC&GS & State Marker. C/L E.chimney on C.Lang house in azimuth 181°39'
39"; C/L chimney on Geo.Clark house in azimuth 272°49'19"; C/L Garber
W.T. in azimuth 333°20'22".

X-2,100,572.75 Y-569,439.37 El. 1094.174 ft.

7-B-3 TT 1934; Garfield Co., at W.edge of Hunter; in approx.NW.cor.
NE $\frac{1}{4}$ sec.18,T24N,R4W; 38.0 ft.S.of C/L main hwy., 4.1 ft.S.of sidewalk
on S.side of St., 10.1 ft.W.of conc.walk leading into schoolhouse, in
school yard. USC&GS & State Marker. C/L left chimney on M.Campbell house
about 1.5 mi.in azimuth 89°21'00"; C/L steeple on Hunter Baptist church
in azimuth 266°29'53"; C/L cupola on Drummond Peckham bldg., Hunter, in
azimuth 270°46'35".

X-2,098,310.25 Y-569,357.79 El. 1093.948 ft.

7-B-4 TT 1934; Garfield Co., 1.0 mi.W.of Hunter; 520.0 ft.W.& 29.0
ft.N.of approx.SE.cor.sec.12,T24N,R5W; 1.7 ft.S.of N.R/W fence. USC&GS
& State Marker. C/L chimney on H.Mellies house about 1 mi.in azimuth
70°12'20"; C/L spire on Hunter Baptist Church in azimuth 269°30'15"; C/L
base of flag pole on brick school, Hunter, in azimuth 272°57'40".

X-2,094,916.49 Y-569,418.44 El. 1108.131 ft.

7-B-5 TT 1934; Garfield Co., 2.25 mi.W.of Hunter; 319.4 ft.W.&
27.3 ft.S.of intersection of hwy. & $\frac{1}{4}$ sec.line sec.14,T24N,R5W; 2.0 ft.
N.of S.R/W fence. USC&GS & State Marker. C/L flag pole on Prairie Center
Schoolhouse about 1.5 mi.in azimuth 91°17'48"; C/L chimney on house of
H.Mellies in azimuth 301°17'48"; C/L Garber W.T.in azimuth 321°17'18".

X-2,087,260.37 Y-569,444.28 El. 1130.854 ft.

7-B-6 TT 1934; Garfield Co., 4.0 mi.W.of Hunter; 1856.0 ft.W.& 27.0
ft.N.of approx.SE.cor.sec.9,T24N,R5W; 56.6 ft.N.of S.R/W fence. USC&GS &
State Marker. C/L chimney on Chas.Hoover house about 1 mi.in azimuth
174°23'46"; C/L flag pole on Prairie Center Schoolhouse in azimuth 267°
33'09"; C/L chimney on W.C.Nelson house about 1 mi.in azimuth 326°46'44".

X-2,077,842.51 Y-569,541.55

7-B-7 TT 1934; Garfield Co., 5.0 mi.W.of Hunter; 1011.0 ft.W.& 29.0
ft.S.of NE.cor.sec.17,T24N,R5W; 1.7 ft.N.of S.R/W fence. USC&GS & State
Marker. C/L chimney on E.Kaiser house about 1 mi.in azimuth 55°08'04";

Traverse in Northwestern Oklahoma

- C/L left chimney on E.B.Roger's house about 1 mi.in azimuth $143^{\circ}21'16''$;
C/L flag pole on Prairie Center Schoolhouse in azimuth $268^{\circ}58'34''$.
X-2,073,346.31 Y-569,505.46 El. 1181.485 ft.
- 7-B-8 TT 1934; Garfield Co., 6.25 mi.W.of Hunter; 69.0 ft.W.of approx.SE.cor.SW $\frac{1}{2}$ sec.7,T24N,R5W; 36.0 ft.N.of $\frac{1}{4}$ sec.line fence & C/L of road; 1.5 ft.N.of N.R/W fence. USC&GS & State Marker. C/L W.chimney on E.B.Roger house about 1 mi.in azimuth $211^{\circ}29'49''$; C/L flag pole on Evergreen Schoolhouse about 0.5 mi.in azimuth $267^{\circ}12'26''$; C/L chimney on E. Kaiser house about 0.5 mi.in azimuth $316^{\circ}13'39''$.
X-2,066,355.65 Y-569,574.32 El. 1136.648 ft.
- 7-B-9 TT 1934; Garfield Co., 7.0 mi.W.& 0.4 mi.S.of Hunter; 2019.0 ft.S.& 24.0 ft.W.of approx.NE.cor.sec.13,T24N,R6W; 2.1 ft.E.of W.R/W fence. USC&GS & State Marker. C/L Kremlin W.T.in azimuth $72^{\circ}48'58''$; C/L Evergreen Schoolhouse belfry in azimuth $247^{\circ}34'40''$; C/L chimney on E. Kaiser's house about 1 mi.in azimuth $279^{\circ}26'00''$.
X-2,063,713.11 Y-567,522.66 El. 1132.862 ft.
- 7-B-10 TT 1934; Garfield Co., 1.75 mi.E.of Kremlin; 296.0 ft.N.& 31.0 ft.E.of approx.SW.cor.SW $\frac{1}{2}$ sec.13,T24N,R6W; 1.2 ft.E.of E.R/W fence. USC&GS & State Marker. C/L Kremlin Grain Elevator in azimuth $80^{\circ}54'23''$; C/L W.chimney on J.Ream's house in azimuth $204^{\circ}34'40''$; C/L chimney on E. Kaiser house in azimuth $259^{\circ}17'08''$.
X-2,058,547.37 Y-564,597.54 El. 1117.368 ft.
- 7-B-11 TT 1934; Garfield Co., In Kremlin; in N.edge sec.22,T24N,R6W; 2.0 ft.S.of R/W fence; 192.0 ft.W.of C/L Main St., 231.0 ft.E.of C/L RR. USC&GS & State Marker. USEM on RR R/W in Kremlin in azimuth $48^{\circ}21'40''$; C/L chimney on house of H.Jenson about 1.8 mi.in azimuth $89^{\circ}05'36''$; C/L chimney on B.J. Duffey house about 1 mi.in azimuth $264^{\circ}11'36''$.
X-2,049,298.74 Y-564,292.72 El. 1119.579 ft.
- 7-B-12 TT 1934; Garfield Co., 10.0 mi.N.of Enid; 1.7 mi.W.of Kremlin; 1538.0 ft.E.& 29.0 ft.N.of approx.SW.cor.sec.17,T24N,R6W; 1.0 ft.S.of N.R/W fence. USC&GS & State Marker. C/L chimney on Tom McCreaty house about 1.5 mi.in azimuth $128^{\circ}38'59''$; C/L belfry on Wild Horse Schoolhouse about 1 mi.in azimuth $167^{\circ}33'14''$; C/L steeple on Kremlin Church in azimuth $278^{\circ}50'01''$.
X-2,039,035.72 Y-564,419.26 El. 1160.900 ft.
- 7-B-13 TT 1934; Garfield Co., 3.5 mi.W.of Kremlin; 1696.0 ft.W.& 31.0 ft.N.of approx.SE.cor.sec.13,T24N,R7W; 2.0 ft.S.of N.R/W fence. USC&GS & State Marker. C/L chimney on C.Regier house about 0.75 mi.in azimuth $86^{\circ}06'24''$; C/L belfry on Wild Horse Schoolhouse about 1.5 mi.in azimuth $219^{\circ}19'06''$; C/L chimney on A.G.Zalondock house about 1 mi.in azimuth $358^{\circ}47'54''$.
X-2,030,860.65 Y-564,369.98 El. 1158.293 ft.
- 7-B-14 TT 1934; Garfield Co., 1.0 mi.S.& 4.0 mi.E.of Hillsdale; 134.0 ft.S.& 29.0 ft.W.of approx.NE.cor.sec.22,T24N,R7W; 1.0 ft.E.of W.R/W fence. USC&GS & State Marker. C/L chimney on J.J.Burk house about 1 mi.in azimuth $37^{\circ}33'53''$; C/L ventilator on B.Rhodes barn about 1.75 mi.in azimuth $260^{\circ}08'13''$; C/L chimney on C.Regier house about 1 mi.in azimuth $270^{\circ}20'42''$.
X-2,021,966.17 Y-564,135.57 El. 1199.012 ft.
- 7-B-15 TT 1934; Garfield Co., 1.0 mi.S.& 2.5 mi.E.of Hillsdale; 30.0 ft.S.& 498.0 ft.W.of approx.NE.cor.sec.21,T24N,R7W; 1.4 ft.N.of S.R/W fence. USC&GS & State Marker. C/L chimney on J.Meyers house in azimuth $143^{\circ}04'34''$; C/L chimney J.J.Burk house about 1 mi.in azimuth $342^{\circ}27'41''$; C/L chimney on E.wing Sperling house in azimuth $352^{\circ}59'46''$.
X-2,016,201.93 Y-564,209.48 El. 1242.211 ft.
- 7-B-16 TT 1934; Garfield Co., 0.75 mi.S.& 1.75 mi.E.of Hillsdale; 611.0 ft.W.& 30.0 ft.S.of NE.cor.sec.20,T24N,R7W; 1.0 ft.S.of S.R/W fence. USC&GS & State Marker. C/L chimney on Meyers house in azimuth $203^{\circ}25'09''$; C/L N.chimney on house about 1.25 mi.in azimuth $268^{\circ}36'58''$; C/L N.chimney on Sperling's house about 1 mi.in azimuth $293^{\circ}24'44''$.
X-2,010,813.55 Y-564,205.87 El. 1293.159 ft.

7-B-17 TT 1934; Garfield Co., 1.0 mi.S. & 1.0 mi.E. of Hillsdale, 28.0 ft.W. & 1124.0 ft.S. of approx.NE.cor.sec.19,T24N,R7W; 1.0 ft.W. of W.R/W fence. USC&GS & State Marker. C/L chimney on Lacey Schoolhouse about 0.75 mi.in azimuth $00^{\circ}12'05''$; C/L apex S.gable on Hillsdale Congregational brick Church in azimuth $151^{\circ}37'42''$; C/L apex S.gable on cupola of Horner's barn about 0.25 mi.in azimuth $210^{\circ}43'08''$.
X-2,006,088.48 Y-563,226.99 El. 1220.946 ft.

7-B-18 TT 1934; Garfield Co., 1.5 mi.S. of Hillsdale; 24.0 ft.N. & 51.0 ft.E. of approx.SW.cor.sec.19,T24N,R7W; 1.5 ft.S. of N.R/W fence. USC&GS & State Marker. C/L chimney on A.W.Currier house about 0.75 mi. in azimuth $88^{\circ}11'55''$; C/L apex S.gable of cupola on Horner's barn in azimuth $226^{\circ}33'10''$; C/L chimney on Lacey Schoolhouse about 1 mi.in azimuth $269^{\circ}55'42''$.
X-2,001,081.79 Y-559,153.79 El. 1325.172 ft.

7-B-19 TT 1934; Garfield Co., 1.5 mi.S. & 1.0 mi.W. of Hillsdale; 1323.0 ft.E. & 18.0 ft.S. of approx.NW.cor.sec.25,T24N,R8W; 1.0 ft.N. of S.R/W fence. USC&GS & State Marker. C/L chimney on Berry Schoolhouse about 1.25 mi.in azimuth $90^{\circ}19'11''$; C/L chimney on A.S.McCoy house about 2.5 mi.in azimuth $90^{\circ}34'01''$; C/L chimney on E.side of Bill Janders house about 1 mi.in azimuth $332^{\circ}25'06''$.
X-1,997,096.83 Y-559,097.95 El. 1347.641 ft.

7-B-20 TT 1934; Garfield Co., 1.5 mi.S. & 2.25 mi.W. of Hillsdale; 30.0 ft.E. & 30.0 ft.N. of SW.cor.sec.23,T24N,R8W; 94.3 ft.SW. of NW.cor. Berry Schoolhouse; 60.6 ft.N. of S.R/W fence. USC&GS & State Marker. C/L chimney on A.L.McCoy house about 1.25 mi.in azimuth $91^{\circ}12'38''$; C/L chimney on J.C.Bowen house about 0.25 mi.in azimuth $224^{\circ}35'58''$; C/L chimney on A.Currier's house about 1.37 mi.in azimuth $270^{\circ}28'45''$.
X-1,990,509.03 Y-559,089.35 El. 1326.368 ft.

7-B-21 TT 1934; Garfield Co., 1.0 mi.S. & 4.0 mi.W. of Hillsdale; 27.0 ft.E. & approx. 600.0 ft.N. of approx.SW.cor.sec.22,T24N,R8W; 2.3 ft. W. of E.R/W fence. USC&GS & State Marker. C/L chimney on Long's house about 0.75 mi.in azimuth $181^{\circ}51'06''$; C/L chimney on J.C.Bowen's house about 2.5 mi.in azimuth $246^{\circ}22'21''$; C/L chimney on J.Zrnsts house about 1 mi.in azimuth $356^{\circ}53'11''$.
X-1,985,231.70 Y-559,756.94 El. 1392.765 ft.

McCoy Tri.Sta., (Garfield Co., W.Bowie, 1902) - About 12.5 mi.W. & 0.75 mi.S. of Kremlin; in $SE\frac{1}{4}$ sec.21,T24N,R8W; on highest point of land owned in 1902 by A.S.McCoy. Surface & underground marks are iron nails in terra-cotta pipes filled with & set in conc., notes 17 & 19.
X-1,982,953.93 Y-560,294.31 El. 1405.890 ft.
Reference mark is iron nail in terra-cotta pipe filled with & set in conc., note 21; in fence cor.on S.side of road, opposite $\frac{1}{4}$ cor.common to sec.21 & 28, 409.97 m. (1345.0 ft.) from sta.in azimuth $17^{\circ}38'14''$.
El. 1395.348 ft.

Traverse 7-C; Garfield Co.
7-B-11 TT 1934 to Enid Tri. Sta.
North Projection

7-B-11 TT 1934; Junction Station. See Traverse 7-B.
7-C-1 TT 1934; Garfield Co., 1.0 mi.S. of Kremlin; 310.0 ft.E. & 28.5 ft.N. of approx.SW.cor.sec.22,T24N,R6W; 1.5 ft.S. of N.R/W fence & 348.0 ft.E. of intersection of above fence line & CRI&P RR. USC&GS & State Marker. C/L chimney on Abe Sperling's house about 0.5 mi.in azimuth $01^{\circ}10'17''$; C/L chimney on Frank Janzen house in azimuth $55^{\circ}55'47''$; C/L steeple on Kremlin Church about 1 mi.in azimuth $198^{\circ}15'27''$.
X-2,048,344.12 Y-559,096.32 El. 1136.860 ft.
7-C-2 TT 1934; Garfield Co., 2.0 mi.S. & 0.75 mi.W. of Kremlin; 695.4 ft.E. & 29.0 ft.N. of approx.SW.cor.sec.28,T24N,R6W; 1.6 ft.S. of N.R/W fence. USC&GS & State Marker. C/L apex E.gable on Munson barn about 1.0 mi.in azimuth $95^{\circ}03'58''$; C/L steeple on Kremlin Church in azimuth 213°

Traverse in Northwestern Oklahoma

58°46"; C/L apex W.gable on John Jaidy's barn about 0.75 mi.in azimuth 323°50'56".

X-2,043,525.49 Y-553,829.17 El. 1151.008 ft.

7-C-3 TT 1934; Garfield Co., 7.5 mi.N.& 1.0 mi.E.of Enid; 2661.5 ft.E.& 26.9 ft.S.of approx.NW.cor.sec.5,T23N,R6W; 1.6 ft.N.of S.R/W fence. USC&GS & State Marker. C/L W.chimney on Geo.Failing's house in azimuth 119°38'18"; C/L chimney on Mrs.Vereis house about 1 mi.in azimuth 141°32'42"; C/L S.apex of Albert Salienki's barn about 1.25 mi.in azimuth 231°22'08".

X-2,040,220.15 Y-548,507.77 El. 1180.976 ft.

7-C-4 TT 1934; Garfield Co., approx. 6.5 mi.N.& 0.75 mi.E.of Enid; 1335.0 ft.E.& 28.0 ft.N.of approx.SW.cor.sec.5,T23N,R6W; 2.5 ft.S.of N. R/W fence. USC&GS & State Marker. C/L apex N.edge of shed roof on property of Enid Country Club in azimuth 190°23'13"; C/L cupola on N.bldg. Failing's estate in azimuth 351°21'13".

X-2,038,836.77 Y-543,285.15 El. 1205.334 ft.

7-C-5 TT 1934; Garfield Co., 5.5 mi.N.& 0.5 mi.E.of Enid; 1690.0 ft.E.& 26.0 ft.S.of approx.NW.cor.sec.17,T23N,R6W; 2.0 ft.N.of S.R/W fence. USC&GS & State Marker. C/L chimney on D.J.Oven house about 1.12 mi.in azimuth 103°55'49"; C/L E.chimney on F.T.Dolan house about 1.75 mi.in azimuth 281°07'39"; C/L chimney on Mennonite Brethren Church about 1 mi.in azimuth 342°20'54".

X-2,039,191.29 Y-537,952.92 El. 1279.958 ft.

7-C-6 TT 1934; Garfield Co., 3.5 mi.N.& 1.5 mi.E.of the sq. in Enid; 775.0 ft.W.& 25.0 ft.S.of approx.NE.cor.sec.29,T23N,R6W; 2.0 ft. N.of S.R/W fence; 21.0 ft.S.& 570.0 ft.E.of C/L intersection of road & CRI&P RR; 86.0 ft.NE.of NE.cor.Gyle Anglin's house. USC&GS & State Marker. C/L peak of S.tower on radio sta.KCRC about 2.25 mi.in azimuth 273°32'09"; C/L Mennonite Brethren Church about 1 mi.in azimuth 55°16'00"; C/L chimney on Klassen house in azimuth 198°15'47".

X-2,042,060.98 Y-527,411.17 El. 1254.680 ft.

7-C-7 TT 1934; Garfield Co., 3.75 mi.N.& 2.5 mi.E.of sq.in Enid; 1444.9 ft.N.& 25.0 ft.E.of approx.SW.cor.sec.22,T23N,R6W; 2.7 ft.W.of E.R/W fence. USC&GS & State Marker. C/L lightning rod on J.D.Smith house about 0.25 mi.in azimuth 182°03'17"; C/L flag pole on belfry of Enterprise Schoolhouse about 1 mi.in azimuth 287°19'32".

X-2,048,090.06 Y-528,836.16 El. 1263.413 ft.

Enid Tri.Sta., (Garfield Co., W.Bowie, 1902) 2.0 mi.N.& 2.5 mi.E.of N.Enid; in sec.22,T23N,R6W; in line of fence on S.side of road, on property owned in 1902 by Mr. Smith. Surface & underground marks are iron nails in terra-cotta pipes filled with & set in conc., notes 17 & 19. Reference mark is iron nail in terra-cotta pipe filled with & set in conc., note 21, in NE.cor.of Mr.Smith's property, very near sec.cor. & 66.166 m. (217.08 ft.) from sta.in azimuth 271°22'36". Sec.cor.common to sec's. 14, 15, 22, & 23 is 76.318 meters (250.39 ft.) from station in azimuth 264°21'36".

Traverse 7-D; Garfield & Major Co's.

Enid Tri. Sta. to 8-D-49 TT 1934

North Projection

Enid Tri. Sta., Junction Station. See Traverse 7-C.

7-D-1 TT 1934; Garfield Co., 3.5 mi.N.& 2.5 mi.E.of sq.in Enid; 610.4 ft.E.& 25.0 ft.S.of NW.cor.sec.27,T23N,R6W; 3.0 ft.N.of S. R/W fence. USC&GS & State Marker. C/L lightning rod on J.D. Smith's house in azimuth 175°11'38"; C/L E.chimney on house about 1 mi.in azimuth 318°40'50".

X-2,048,688.01 Y-527,358.62 El. 1248.209 ft.

7-D-2 TT 1934; Garfield Co., 3.0 mi.N.& 1.0 mi.E.of sq.in Enid; 1042.0 ft.N.of road common to sec's. 29 & 32,T23N,R6W; in CRI&P RR R/W;

2.7 ft.N.of S.fence. USC&GS & State Marker. C/L peak S.tower on radio sta. KCRC in azimuth $31^{\circ}34'55''$; C/L chimney on Mennonite Church about 1.5 mi.in azimuth $173^{\circ}28'12''$.

X-2,041,764.42 Y-524,533.70 El. 1256.860 ft.

H-3 1928; Garfield Co., at N.Enid; near approx.SW.cor.SE $\frac{1}{4}$ sec.29, T23N,R6W; about 620.0 ft.N.of CRI&P RR depot; 69.0 ft.E.of C/L of track; 6.0 ft.S.of rear pump house at well, marked "USEM 1251" in conc.wall, 6 inches from outer edge. Note 17. C/L flag pole belfry on N.Enid School #42 about 0.5 mi.in azimuth $93^{\circ}59'22''$; C/L S.chimney on W.H.Mock house about 0.5 mi.in azimuth $281^{\circ}57'42''$.

X-2,040,637.03 Y-522,947.06 El. 1250.851 ft.

7-D-3 TT 1934; Garfield Co., 1.25 mi.N.& 0.75 mi.W.of Enid; 489.0 ft.S.& 26.5 ft.W.of NE.cor.sec.36,T23N,R7W; 2.5 ft.E.of W.R/W fence. USC&GS & State Marker. C/L chimney on M. Colbert house about 1 mi. in azimuth $77^{\circ}33'32''$; C/L chimney on F.Webb house about 0.6 mi.in azimuth $214^{\circ}11'22''$; C/L peak S.tower on radio sta. KCRC in azimuth $293^{\circ}35'14''$.

X-2,032,369.25 Y-519,007.49 El. 1268.008 ft.

7-D-4 TT 1934; Garfield Co., 1.5 mi.N.& 1.5 mi.W.of Enid; 728.5 ft.N.& 32.1 ft.E.of approx.SW.cor.sec.36,T23N,R7W; 4.0 ft.W.of E.R/W fence. USC&GS & State Marker. C/L chimney on McGill house in azimuth $13^{\circ}05'37''$; C/L chimney on F.Webb house about 1.25 mi.in azimuth $231^{\circ}54'12''$; C/L spire on Enid Catholic Church in azimuth $323^{\circ}01'17''$.

X-2,027,156.69 Y-517,572.20 El. 1313.657 ft.

7-D-5 TT 1934; Garfield Co., 1.75 mi.W.& 0.25 mi.N.of Enid; 46.0 ft.S.& 38.0 ft.W.of NE.cor.sec.11,T22N,R7W; 2.1 ft.E.of W.R/W fence. USC&GS & State Marker. C/L chimney on Perrin house about 1 mi.in azimuth $97^{\circ}59'51''$; C/L chimney on M.Colbert house about 1.25 mi.in azimuth $178^{\circ}06'31''$; C/L S.ventilator on top of Enid Terminal Elevator about 1 mi.in azimuth $262^{\circ}01'41''$.

X-2,027,142.51 Y-511,477.88 El. 1269.336 ft.

7-D-6 TT 1934; Garfield Co., W.City limits of Enid; in SW.cor.NW $\frac{1}{4}$ sec.12,T22N,R7W; 30.5 ft.E.& 31.0 ft.N.of intersection Randolph St. & sec.line common to sec.11 & 12. USC&GS & State Marker. C/L 2 story house of W.H.Hatch about 2.2 mi.in azimuth $104^{\circ}34'32''$; C/L S.ventilator on Enid Terminal Elevator in azimuth $239^{\circ}36'14''$; C/L spire on Enid Catholic Church in azimuth $271^{\circ}35'30''$.

X-2,027,230.06 Y-508,926.83 El. 1272.333 ft.

7-D-7 TT 1934; Garfield Co., 2.5 mi.W.of sq.in Enid; in NW.cor.SW. sec.11,T22N,R7W; 33.2 ft.E.& 29.3 ft.S.of intersection Randolph St. extension & road common to sec's. 10 & 11; 2.0 ft.N.of S.R/W fence. USC&GS & State Marker. C/L chimney on house about 1.1 mi.in azimuth $52^{\circ}23'52''$; C/L chimney on 2 story house about 1.1 mi.in azimuth $57^{\circ}38'27''$; C/L chimney on C.Shaw 2 story house in azimuth $114^{\circ}37'10''$.

X-2,021,952.46 Y-508,880.95 El. 1279.348 ft.

7-D-8 TT 1934; Garfield Co., 3.5 mi.W.of Enid; in SW.cor.NW.sec.10, T22N,R7W; 1.9 ft.S.of N.R/W fence, 27.0 ft.N.& 338.0 ft.E.of intersection end of Randolph St. & Sec.line common to Sec's. 9&10.USC&GS & State Marker. C/L chimney on 2 story house about 1.25 mi.in azimuth $43^{\circ}32'47''$; C/L chimney on C.Shaw house about 0.5 mi.in azimuth $168^{\circ}55'07''$; C/L spire on Enid Catholic Church in azimuth $270^{\circ}39'57''$.

X-2,016,990.49 Y-508,939.88 El. 1301.506 ft.

7-D-9 TT 1934; Garfield Co., 4.5 mi.W.& 0.5 mi.S.of Enid; 1320.0 ft.N.& 27.0 ft.W.of SE.cor.sec.8,T22N,R7W; 2.9 ft.E.of W.R/W fence. USC & GS & State Marker. C/L S.chimney on house about 1.0 mi.in azimuth $75^{\circ}51'49''$; C/L chimney on W.H.Hatch house about 1.1 mi.in azimuth $231^{\circ}16'04''$; C/L chimney on J.A.Boade house about 0.75 mi.in azimuth $357^{\circ}07'09''$.

X-2,011,348.42 Y-507,603.26 El. 1304.375 ft.

7-D-10 TT 1934; Garfield Co., 5.5 mi.W.& 1.75 mi.S.of Enid; 304.0 ft.N.& 27.5 ft.W.of SE.cor.sec.18,T22N,R7W; 2.5 ft.E.of W.R/W fence. USC&GS & State Marker. C/L S.chimney on F.D.Owen house about 2.0 mi.in azimuth $110^{\circ}37'28''$; C/L S.chimney on McMillen house about 1 mi.in azi-

- muth $171^{\circ}34'53''$; C/L chimney on J.A.Boade house about 1 mi.in azimuth $250^{\circ}15'08''$.
 X-2,006,114.22 Y-501,277.67 El. 1264.632 ft.
 7-D-11 TT 1934; Garfield Co., 6.5 mi.W.& 1.75 mi.S.of Enid; 402.0 ft.N.& 26.0 ft.W.of SE.cor.sec.13,T22N,R9W; 2.4 ft.E.of W.R/W fence. USC&GS & State Marker. C/L chimney on C.W.Chad house about 1.25 mi.in azimuth $85^{\circ}00'32''$; C/L S.chimney on F.D.Owen house about 1.75 mi.in azimuth $122^{\circ}59'57''$; C/L S.chimney on McMillen house about 1.25 mi.in azimuth $223^{\circ}47'27''$.
- X-2,000,885.01 Y-501,395.29 El. 1244.525 ft.
 7-D-12 TT 1934; Garfield Co., 8.0 mi.W.& 0.17 mi.S.of Enid; 815.0 ft.N.& 25.4 ft.W.of SE.cor.sec.14,T22N,R9W; 2.1 ft.E.of W.R/W fence. USC&GS & State Marker. C/L cupola of barn about 2.25 mi.in azimuth $85^{\circ}16'54''$; C/L S.chimney on F.D.Owen house in azimuth $159^{\circ}13'49''$.
- X-1,995,623.90 Y-501,791.91 El. 1233.373 ft.
 7-D-13 TT 1934; Garfield Co., 0.5 mi.S.& 3.75 mi.E.of Lahoma. 657.0 ft.N.& 28.0 ft.E.of SW.cor.sec.14,T22N,R9W; 2.0 ft.W.of E.R/W fence. USC&GS & State Marker. C/L W.chimney on M.Goodnature house about 1.25 mi.in azimuth $145^{\circ}49'31''$; C/L chimney on F.D.Owen house about 1.25 mi.in azimuth $221^{\circ}35'41''$; C/L chimney on C.W.Chad house about 0.75 mi.in azimuth $281^{\circ}11'14''$.
- X-1,990,399.24 Y-501,624.26 El. 1239.360 ft.
 7-D-14 TT 1934; Garfield Co., 0.5 mi.S.& 2.25 mi.E.of Lahoma; 660.6 ft.N.& 24.0 ft.E.of SW.cor.sec.15,T22N,R9W; 2.9 ft.W.of E.R/W fence. USC&GS & State Marker. C/L cupola of barn about 0.8 mi.in azimuth $72^{\circ}16'42''$; C/L spire on Lutheran Church in Lahoma in azimuth $107^{\circ}32'27''$; C/L W.chimney on M.Goodnature house about 0.75 mi.in azimuth $203^{\circ}27'07''$.
- X-1,985,120.54 Y-501,636.39 El. 1253.529 ft.
 7-D-15 TT 1934; Garfield Co., in SE.cor.of Lahoma; 359.0 ft.W.& 78.0 ft.S.of intersection of road common to sec.17 & 18,T22N,R9W & RI.RR.track; 2.3 ft.N.of S.RR R/W fence. USC&GS & State Marker. C/L cupola on barn about 1.1 mi.in azimuth $290^{\circ}28'30''$.
- X-1,974,182.85 Y-503,638.59 El. 1251.621 ft.
 7-D-16 TT 1934; Major Co., 1.12 mi.W.& 0.63 mi.S.of Lahoma; 1542.4 ft.W.& 549.53 ft.S.of intersection of RI.RR tracks & road common to sec's.18 & 13,T22N,R9W; 2.5 ft.W.of N-S fence in pasture. USC&GS & State Marker. C/L cupola on Lutheran Church in Lahoma in azimuth $245^{\circ}48'56''$; C/L chimney on 1 story house on Pauch Estate about 0.5 mi.in azimuth $308^{\circ}51'46''$; C/L E.chimney on 2 story house of Louise M.Graft about 0.75 mi.in azimuth $310^{\circ}48'06''$.
- X-1,967,789.53 Y-503,141.94 El. 1334.733 ft.
 7-D-17 TT 1934; Major Co., 2.0 mi.W.& 0.5 mi.S.of Lahoma; 1831.0 ft.W.& 26.6 ft.N.of SE.cor.sec.14,T22N,R9W; 2.9 ft.S.of N.R/W fence. USC&GS & State Marker. C/L chimney on schoolhouse in azimuth $07^{\circ}42'43''$; C/L chimney on house about 1 mi.in azimuth $88^{\circ}54'18''$; C/L chimney on 2 story house about 1.1 mi.in azimuth $149^{\circ}18'33''$.
- X-1,962,215.57 Y-501,035.11 El. 1292.217 ft.
 7-D-18 TT 1934; Major Co., 1.5 mi.S.& 1.0 mi.E.of Meno; 5.0 ft.E.& 29.0 ft.N.of SW.cor.sec.22,T22N,R9W; 3.0 ft.S.of N.R/W fence. USC&GS & State Marker. C/L chimney on 2 story house of W.L.Swartz about 1.6 mi.in azimuth $22^{\circ}41'43''$; C/L S.chimney on 2 story house about 1.25 mi.in azimuth $147^{\circ}57'03''$; C/L chimney on 2 story house about 1.1 mi.in azimuth $194^{\circ}42'58''$.
- X-1,956,165.81 Y-495,785.44 El. 1319.696 ft.
 7-D-19 TT 1934; Major Co., 2.5 mi.S.& 0.5 mi.E.of Meno; 1625.0 ft.W.& 30.6 ft.N.of SE.cor.sec.28,T22N,R9W; 1.5 ft.S.of N.R/W fence. USC&GS & State Marker. C/L chimney on W.L.Swartz house about 1 mi.in azimuth $01^{\circ}50'48''$; C/L W.chimney on 2 story house about 1.5 mi.in azimuth $299^{\circ}35'18''$; C/L schoolhouse about 1 mi.in azimuth $345^{\circ}15'58''$.
- X-1,951,988.95 Y-490,529.39 El. 1323.734 ft.

- 7-D-20 TT 1934; Major Co., 2.5 mi.S. & 0.5 mi.W. of Meno; 695.0 ft. E. & 29.5 ft.S. of NW.cor.sec.32, T22N, R9W; 12.3 ft.N. of S.R/W fence. USC & GS & State Marker. C/L chimney on house about 0.75 mi. in azimuth 85° 43'26"; C/L chimney on house about 1.25 mi. in azimuth 271° 08'31".
X-1, 943, 778.16 Y-490, 504.03 El. 1330, 378 ft.
- 7-D-21 TT 1934; Major Co., 2.5 mi.S. & 2.5 mi.W. of Meno. 2026.0 ft. E. & 29.5 ft.N. of SW.cor.sec.25, T22N, R10W; 2.5 ft.S. of N.R/W fence. USC & GS & State Marker. C/L W.chimney on house about 0.6 mi. in azimuth 117° 50'54"; C/L W.chimney on A.O.Brandenberger house about 1 mi. in azimuth 178° 49'49"; C/L chimney on schoolhouse about 0.5 mi. in azimuth 269° 00' 59".
X-1, 934, 405.35 Y-490, 610.41 El. 1330, 490 ft.
- 7-D-22 TT 1934; Major Co., 2.0 mi.S. & 0.5 mi.W. of Ringwood; 2735.0 ft.W. & 25.0 ft.S. of NE.cor.sec.26, T22N, R10W; 2.0 ft.N. of S.R/W fence. USC&GS & State Marker. C/L N.chimney on Frank P.Jennison house about 0.5 mi. in azimuth 85° 31'08".
X-1, 929, 644.03 Y-490, 578.68 El. 1264, 763 ft.
- 7-D-23 TT 1934; Major Co., 2.5 mi.S. & 0.5 mi.W. of Ringwood; near center sec.34, T22N, R10W; 142.0 ft.N. & 47.6 ft.E. of intersection of $\frac{1}{4}$ sec.fence & RI RR track; 2.6 ft.W. of E.R/W fence. USC&GS & State Marker. C/L chimney on C.C.Smith house about 0.62 mi. in azimuth 09° 58'00"; C/L chimney on Geo.Koons house about 0.75 mi. in azimuth 19° 28'40"; C/L chimney on house about 0.75 mi. in azimuth 234° 42'15".
X-1, 923, 752.23 Y-488, 098.00 El. 1261, 263 ft.
- 7-D-24 TT 1934; Major Co., 3.0 mi.S. & 1.25 mi.W. of Ringwood; 814.0 ft.S. & W.down C/L of RR track; 43.7 ft.S. & E. of intersection CRI&P RR & road common to sec's. 34 & 3, T21N, R10W. USC&GS & State Marker. C/L chimney on Geo.Koons house about 0.25 mi. in azimuth 05° 34'40"; C/L chimney on C.C.Smith house about 0.37 mi. in azimuth 229° 12'40".
X-1, 922, 269.90 Y-484, 618.34 El. 1239, 023 ft.
- 7-D-25 TT 1934; Major Co., 3.0 mi.S. & 1.5 mi.W. of Ringwood; 810.0 ft.W. & 213.0 ft.N. of $S\frac{1}{4}$ cor.sec.4, T21N, R10W; on top of first hill to SE. of CRI&P RR on R/W. USC&GS & State Marker. C/L Minie M.Scott house about 0.5 mi. in azimuth 23° 27'53"; C/L N.chimney on Frank P.Jennison house about 2 mi. in azimuth 220° 41'28"; C/L chimney on C.C.Smith house about 1 mi. in azimuth 223° 50'48".
X-1, 918, 345.41 Y-480, 348.53 El. 1250, 739 ft.
- 7-D-26 TT 1934; Major Co., 5.0 mi.S. & 2.5 mi.W. of Ringwood; approx. 800.0 ft.N. & 8.0 ft.W. of SW.cor.sec.8, T21N, R10W; USC&GS & State Marker. C/L W.apex on barn about 0.5 mi. in azimuth 263° 52'58".
X-1, 913, 912.68 Y-475, 646.59 El. 1208, 499 ft.
- 7-D-27 TT 1934; Major Co., 9.0 mi.E. & 1.5 mi.N. of Fairview; 1238.0 ft.S. & 87.0 ft.E. of NW.cor.sec.19, T21N, R10W; S. of N.R/W fence. USC&GS & State Marker. C/L W.chimney on house about 1.75 mi. in azimuth 00° 06'23"; C/L W.chimney on Champlin Filling Sta. about 1 mi. in azimuth 03° 17'23"; C/L chimney on 2 story house about 1.75 mi. in azimuth 25° 54'38".
X-1, 906, 144.34 Y-468, 329.39 El. 1173, 288 ft.
- 7-D-28 TT 1934; Major Co., 9.0 mi.E. of Fairview; 336.0 ft.S. & 22.0 ft.E. of NW.cor.sec.30, T21N, R10W; top bolt on SE.cor. of culvert. C/L W.chimney on 2 story house about 0.5 mi. in azimuth 23° 40'38"; C/L N.chimney on house about 1 mi. in azimuth 84° 26'23".
X-1, 906, 066.79 Y-463, 973.96 El. 1194, 784 ft.
- 7-D-29 TT 1934; Major Co., 8.33 mi.E. of Fairview; 1460.0 ft.E. of SW.cor.sec.24, T21N, R11W; 2.2 ft.S. of N.R/W fence. USC&GS & State Marker. C/L chimney on 2 story house about 1.25 mi. in azimuth 12° 39'56"; C/L chimney on 1 story house about 0.25 mi. in azimuth 41° 45'10"; C/L W.cor. of S.chimney on Champlin Sta. about 0.75 mi. in azimuth 269° 15'06".
X-1, 902, 267.75 Y-464, 371.89 El. 1221, 615 ft.
- 7-D-30 TT 1934; Major Co., 7.5 mi.E. of Fairview; on hill 0.3 mi.E. of schoolhouse; 162.0 ft.W. of approx. $N\frac{1}{2}$ cor.sec.26, T21N, R11W; 2.0 ft.N. of S.R/W fence; 725.0 ft.E. of 7 ft.x 8 ft.conc.culvert; 925.0 ft.E. of

Traverse in Northwestern Oklahoma

windmill. USC&GS & State Marker. C/L chimney on 1 story frame house about 1 mi. in azimuth $10^{\circ}39'14''$; C/L S.gable on 1 story house about 0.25 mi. in azimuth $261^{\circ}24'58''$; C/L N.edge of chimney on house about 0.75 mi. in azimuth $282^{\circ}17'58''$.

X-1,897,999.53 Y-464,299.94 El. 1202.503 ft.

7-D-30-G TT 1934; Major Co., 7.2 mi. E. of Fairview; 1057.0 ft. E. & 29.0 ft. N. of approx. SW. cor. sec. 23, T21N, R11W; USC&GS & State Marker.

X-1,896,579.76 Y-464,387.06

7-D-31 TT 1934; Major Co., 6.0 mi. E. of Fairview; 1.7 mi. E. of school house; 1309.0 ft. E. & 47.0 ft. S. of approx. NW. cor. sec. 27, T21N, R11W; 790.0 ft. E. of red granary 20 x 20 ft., S. of road; 3.0 ft. N. of S.R/W fence; 930.0 ft. E. of windmill at house N. of road; 1100.0 ft. E. of cross road. USC&GS & State Marker. C/L chimney on farmhouse about 1.5 mi. in azimuth $45^{\circ}03'31''$; C/L N. chimney on house about 0.25 mi. in azimuth $96^{\circ}47'46''$; C/L chimney on schoolhouse about 0.5 mi. in azimuth $289^{\circ}11'38''$.

X-1,891,576.92 Y-464,334.91 El. 1197.305 ft.

7-D-32 TT 1934; Major Co., 4.5 mi. E. of Fairview; 48.0 ft. N. of S $\frac{1}{4}$ cor. sec. 20, T21N, R11W; on N. side of road, opposite schoolhouse. USC&GS & State Marker. C/L S. RR W.T. in Fairview in azimuth $79^{\circ}08'11''$; C/L window at top of S. side Rusk Elevator in azimuth $112^{\circ}45'06''$; C/L N. chimney on house about 1.1 mi. in azimuth $347^{\circ}09'13''$.

X-1,882,369.13 Y-464,473.19 El. 1221.675 ft.

7-D-33 TT 1934; Major Co., 2.9 mi. E. of Fairview; 760.0 ft. W. & 47.0 ft. S. of NE. cor. sec. 25, T21N, R12W; 3.0 ft. N. of barn yard gate. USC&GS & State Marker. C/L N. chimney on 2 story house about 1.5 mi. in azimuth $94^{\circ}24'36''$; C/L chimney on house about 0.2 mi. in azimuth $133^{\circ}31'11''$; C/L window at top of S. side of Rusk Elevator in azimuth $172^{\circ}45'06''$.

X-1,873,684.35 Y-464,396.96 El. 1248.756 ft.

7-D-34 TT 1934; Major Co., 1.0 mi. E. of Fairview; 49.0 ft. W. & 48.0 ft. N. of SE. cor. sec. 22, T21N, R12W; 2.0 ft. S. of N.R/W fence. USC&GS & State Marker. C/L S. RR W.T. in Fairview in azimuth $51^{\circ}26'40''$; C/L sign staff on pent house of Cornelsen Hotel in azimuth $66^{\circ}12'40''$; C/L S. face of NE. chimney on Cunningham house about 0.12 mi. in azimuth $204^{\circ}24'03''$.

X-1,863,848.68 Y-464,540.71 El. 1268.943 ft.

7-D-35 TT 1934; Major Co., in Fairview; in sec. 28, T21N, R12W; on S. side sec. line; 16.0 ft. W. of C/L main track AT&SF RR; 60.0 ft. N. of stock yards. USC&GS & State Marker. C/L chimney on 1 story house about 0.5 mi. in azimuth $89^{\circ}29'32''$; C/L sign staff on pent house of Cornelsen Hotel in azimuth $339^{\circ}50'07''$; C/L City W.T. in azimuth $355^{\circ}29'07''$.

X-1,858,158.43 Y-464,491.60 El. 1288.058 ft.

7-D-36 TT 1934; Major Co., 1.0 mi. W. of Fairview; 24.0 ft. N. & 532.0 ft. E. of approx. SW. cor. sec. 21, T21N, R12W; 1.5 ft. S. of N.R/W fence. USC&GS & State Marker. C/L E. chimney on 2 story house about 1.25 mi. in azimuth $155^{\circ}42'21''$; C/L sign staff on pent house of Cornelsen Hotel in azimuth $293^{\circ}42'56''$; C/L City water standpipe in azimuth $309^{\circ}36'23''$; C/L knob on AT&SF RR W.T. in Fairview in azimuth $320^{\circ}34'48''$.

X-1,853,898.32 Y-464,587.61 El. 1308.613 ft.

8-D-49 TT 1934; Junction Station. See Traverse 8-D.

Traverse 7-E; Major & Blaine Co's.

7-D-36 TT 1934 to 14-C-37 TT 1934

North Projection

7-D-36 TT 1934; Junction Station. See Traverse 7-D.

7-E-1 TT 1934; Major Co., 0.5 mi. S. & 0.5 mi. W. of Main & Central Sts. in Fairview; 148.0 ft. W. of approx. NE. cor. NW. sec. 33, T21N, R12W; 49.0 ft. S. of C/L US. Hwy. #60; 1.0 ft. N. of fence. USC&GS & State Marker. C/L N. gable on $1\frac{1}{2}$ story frame house about 0.04 mi. in azimuth $53^{\circ}57'09''$; C/L sign staff on top of Cornelsen Hotel in Fairview in azimuth $224^{\circ}43'06''$; C/L knob on AT&SF RR W.T. in Fairview in azimuth $255^{\circ}18'36''$.

X-1,855,826.27 Y-459,233.20 El. 1320.613 ft.

- 7-E-2 TT 1934; Major Co., 1.75 mi.S. & 0.12 mi.E. of Main & Central Sts. in Fairview; 1170.0 ft.S. of correction line & 50.0 ft.E. of approx. NW.cor.sec.3, T20N, R12W; 50.0 ft.E. of C/L OK.Hwy.#44. USC&GS & State Marker. C/L chimney on sq.1 story frame house about 0.17 mi. in azimuth 28°57'38"; C/L knob on AT&SF RR W.T. in Fairview in azimuth 167°15'32"; C/L flag staff on Major Co. C.H. in Fairview in azimuth 184°40'09".
 X-1,859,478.25 Y-452,610.78 El. 1326.235 ft.
- 7-E-3 TT 1934; Major Co., 3.1 mi.S. & 0.12 mi.E. of Main & Central Sts. in Fairview; 889.0 ft.N. of approx. SE.cor.sec.9, T20N, R12W; 71.5 ft. W. of C/L OK.Hwy.#44. USC&GS & State Marker. C/L belfry on frame schoolhouse about 1.4 mi. in azimuth 56°14'32"; C/L knob on AT&SF RR W.T. in Fairview in azimuth 174°40'39"; C/L W.gable on 1½ story frame house about 1.1 mi. in azimuth 259°44'39".
 X-1,859,320.64 Y-444,089.52 El. 1348.938 ft.
- 7-E-4 TT 1934; Major Co., 4.1 mi.S. & 0.12 mi.E. of Central & Main Sts. in Fairview; 613.0 ft.N. of approx. SE.cor.sec.16, T20N, R12W; 61.0 ft. W. of C/L OK.Hwy.#44. USC&GS & State Marker. C/L knob on AT&SF RR W.T. in Fairview in azimuth 175°53'45"; C/L S.gable on 1½ story frame house about 0.14 mi. in azimuth 204°38'04"; C/L W.gable on frame schoolhouse about 1.4 mi. in azimuth 319°52'00".
 X-1,859,380.03 Y-438,542.14 El. 1359.111 ft.
- 7-E-5 TT 1934; Major Co., 5.1 mi.S. & 0.12 mi.E. of Main & Central Sts. in Fairview; 2025.0 ft.N. of approx. SE.cor.sec.21, T20N, R12W; 57.0 ft. W. of C/L OK.Hwy.#44; 2.0 ft.E. of AT&SF RR E.R/W fence. USC&GS & State Marker. C/L knob on AT&SF RR W.T. in Fairview in azimuth 176°44'59"; C/L W.gable on frame schoolhouse about 1.1 mi. in azimuth 292°28'20"; C/L main spire on Okeene Catholic Church in azimuth 301°14'21".
 X-1,859,284.85 Y-434,679.43 El. 1401.112 ft.
- 7-E-6 TT 1934; Major Co., 6.25 mi.S. & 0.12 mi.E. of Central & Main Sts. in Fairview; 1288.0 ft.N. & 48.0 ft.W. of approx. SE.cor.sec.28, T20N, R12W. USC&GS & State Marker. C/L N.gable on 1 story tile house about 0.11 mi. in azimuth 63°24'11"; C/L W.gable on frame schoolhouse about 1.25 mi. in azimuth 232°49'27"; C/L main spire on Okeene Catholic Church in azimuth 295°34'36".
 X-1,859,233.71 Y-428,607.94 El. 1395.384 ft.
- 7-E-7 TT 1934; Blaine Co., 7.9 mi.S. & 0.12 mi.E. of Main & Central Sts. in Fairview; 1944.0 ft.S. & 35.5 ft.E. of approx. NW.cor.sec.3, T19N, R12W. USC&GS & State Marker. C/L knob on AT&SF W.T. in Fairview in azimuth 178°26'11"; C/L point on W.gable of frame schoolhouse about 2.2 mi. in azimuth 202°33'29"; C/L main spire on Okeene Catholic Church in azimuth 286°47'48".
 X-1,859,287.19 Y-420,165.82 El. 1462.590 ft.
- 7-E-8 TT 1934; Blaine Co., 8.5 mi.S. of Main & Central Sts. in Fairview; 555.0 ft.W. of approx. NE.cor.sec.9, T19N, R12W; 26.4 ft.S. of C/L OK.Hwy.#44. USC&GS & State Marker. C/L E.gable on 1 story frame house about 0.1 mi. in azimuth 54°05'52"; C/L chimney on 1 story house about 0.5 mi. in azimuth 86°10'23".
 X-1,858,723.50 Y-416,729.64 El. 1392.619 ft.
- 7-E-9 TT 1934; Blaine Co., 0.5 mi.N. & 3.1 mi.E. of NE.cor. of Longdale; 635.0 ft.E. of approx. SW.cor.sec.4, T19N, R12W; 27.5 ft.N. of C/L OK.Hwy.#44; 2.5 ft.S. of fence. USC&GS & State Marker. To USC&GS EM X-34 in azimuth 269°54'21"; C/L N.chimney on 1 story stucco house about 0.11 mi. in azimuth 281°27'27"; C/L chimney on sq.1 story house about 1.4 mi. in azimuth 319°25'18".
 X-1,854,705.57 Y-416,775.89 El. 1450.920 ft.
- 7-E-10 TT 1934; Blaine Co., 0.5 mi.N. & 2.5 mi.E. of NE.cor. of Longdale; 27.5 ft.S. & 1510.0 ft.W. of approx. NE.cor.sec.8, T19N, R12W; 54.0 ft. S. of C/L OK.Hwy.#44; 2.6 ft.N. of fence. USC&GS & State Marker. C/L chimney on 1 story stucco house about 0.5 mi. in azimuth 273°54'03"; C/L chimney on sq.gambrel roof on 1 story house about 1.6 mi. in azimuth 308°37'38".
 X-1,852,527.48 Y-416,767.25 El. 1479.692 ft.

- 7-E-11 TT 1934; Blaine Co., 0.5 mi.N. & 2.3 mi.E. of NE. cor. of Longdale; 85.0 ft.S. & 1429.6 ft.E. of approx. NW. cor. sec. 8, T19N, R12W; 18.0 ft.S. of S.R/W fence OK.Hwy.#44. USC&GS & State Marker.
X-1,850,204.71 Y-416,779.77 El. 1476.342 ft.
- 7-E-12 TT 1934; Blaine Co., 0.6 mi.N. & 1.25 mi.E. of NE. cor. of Longdale; 745.0 ft.S. & 875.0 ft.E. of approx. NW. cor. sec. 7, T19N, R12W; 28.0 ft.N. of C/L OK.Hwy.#44; 2.0 ft.S. of N.fence. USC&GS & State Marker.
X-1,844,648.39 Y-416,247.99 El. 1584.991 ft.
- 7-E-13 TT 1934; Blaine Co., 0.9 mi.E. of NE. cor. of Longdale; 423.0 ft.N. & 583.0 ft.W. of approx. E $\frac{1}{2}$ cor. sec. 12, T19N, R13W; 90.0 ft.N. of C/L OK.Hwy.#44. USC&GS & State Marker.
X-1,843,101.53 Y-414,880.49 El. 1656.273 ft.
- 7-E-13-A TT 1934; Blaine Co., approx. 0.7 mi.E. of Longdale; 35.0 ft.S. & 683.0 ft.W. of approx. E $\frac{1}{2}$ cor. sec. 12, T19N, R13W; 173.5 ft.SE. of C/L OK.Hwy.#44. is a punch marked monel rivet set in conc. 0.8 ft. below ground.
X-1,842,922.51 Y-414,387.65
- 7-E-14 TT 1934; Blaine Co., 0.5 mi.E. of NE. cor. of Longdale; 60.0 ft.N. & 2246.5 ft.E. of approx. W $\frac{1}{2}$ cor. sec. 12, T19N, R13W; 9.0 ft.N. of N.R/W fence on OK.Hwy.#44. USC&GS & State Marker. C/L E.gable of small cupola on Cotton Gin in Longdale in azimuth 71°22'40"; C/L E.gable on $\frac{1}{2}$ story house about 0.5 mi. in azimuth 90°25'49"; C/L main spire on Okeene Catholic Church in azimuth 277°28'15".
X-1,840,611.73 Y-414,486.94 El. 1684.263 ft.
- 7-E-15 TT 1934; Blaine Co., at NE. cor. of Longdale; 14.0 ft.S. & 48.7 ft.W. of approx. E $\frac{1}{2}$ cor. sec. 11, T19N, R13W; 2.3 ft.E. of W.R/W fence OK.Hwy.#44. USC&GS & State Marker. C/L chimney AT&SF RR depot in Longdale in azimuth 50°44'55"; C/L E.gable on $\frac{1}{2}$ story house about 0.06 mi. in azimuth 98°27'56"; C/L SW. cor. of W.chimney on house in azimuth 219°25'44".
X-1,838,319.49 Y-414,469.58 El. 1661.740 ft.
- 7-E-16 TT 1934; Blaine Co., 1.0 mi.S. of NE. cor. of Longdale; 7.0 ft.S. & 48.0 ft.E. of approx. W $\frac{1}{2}$ cor. sec. 13, T19N, R13W; 0.2 ft.W. of E.R/W fence cor. OK.Hwy.#44. USC&GS & State Marker. C/L S.gable on $\frac{1}{2}$ story tile house about 0.11 mi. in azimuth 174°32'36"; C/L SW. cor. chimney on 1 story frame house about 0.2 mi. in azimuth 203°31'16".
X-1,838,392.64 Y-409,180.41 El. 1654.137 ft.
- 7-E-17 TT 1934; Blaine Co., 2.6 mi.S. of NE. cor. of Longdale; 760.0 ft.S. & 48.0 ft.W. of approx. NE. cor. sec. 23, T19N, R13W; 2.0 ft.E. of W.R/W fence OK.Hwy.#44. USC&GS & State Marker. C/L chimney on 2 story house about 2.1 mi. in azimuth 15°09'06"; C/L knob on Canton W.T. in azimuth 36°56'30"; C/L S.gable on 1 story house about 0.37 mi. in azimuth 193°30'40".
X-1,838,243.41 Y-400,540.85 El. 1625.767 ft.
- 7-E-18 TT 1934; Blaine Co., 2.0 mi.E. & 1.5 mi.N. of Canton; 209.0 ft.S. & 28.5 ft.E. of approx. W $\frac{1}{2}$ cor. sec. 36, T19N, R13W; 1.5 ft.W. of E. road fence. USC&GS & State Marker. C/L chimney on 2 story house about 0.2 mi. in azimuth 40°07'45"; C/L knob on Canton W.T. in azimuth 53°50'20"; C/L point of roof on Cantonment Indian School (abandoned) W.T. about 4.2 mi. in azimuth 111°57'39".
X-1,838,266.09 Y-393,192.52 El. 1606.583 ft.
- 7-E-19 TT 1934; Blaine Co., 0.75 mi.N. & 1.5 mi.E. of Canton; 497.0 ft.W. & 1003.0 ft.S. of N $\frac{1}{2}$ cor. sec. 2, T18N, R13W; 46.5 ft.SE. of C/L OK.Hwy.#44; 15.0 ft.NW. of SE.R/W fence. USC&GS & State Marker. C/L knob on Canton W.T. in azimuth 58°32'08"; C/L point of roof on Cantonment Indian School W.T. about 4.2 mi. in azimuth 123°56'30"; C/L NW. cor. chimney on 2 story house about 0.15 mi. in azimuth 302°33'34".
X-1,835,109.81 Y-389,800.38 El. 1609.894 ft.
- 7-E-20 TT 1934; Blaine Co., 0.6 mi.E. of Canton; 28.0 ft.N. & 484.0 ft.W. of SE. cor. sec. 3, T18N, R13W; 61.0 ft.NW. of C/L OK.Hwy.#44; 64.0 ft.E. of cor. post in NW fence. USC&GS & State Marker. C/L knob on Canton

W.T. in azimuth $74^{\circ}32'56''$; C/L chimney on 2 story house about 1.25 mi. in azimuth $227^{\circ}16'23''$.
 X-1,830,829.20 . Y-385,546.76 El. 1569.508 ft.
 7-E-20-A TT 1934; Blaine Co., approx. 0.3 mi. NE. of Canton; in sec. 10, T18N, R13W; 383.0 ft. NE. of E. end of bridge across N. Canadian River; 328.0 ft. SE. of AT&SF RR & 23.0 ft. S. of C/L sec. line road; is a punch marked monel rivet set in conc. 1.0 ft. below ground.
 X-1,828,253.81 Y-385,488.35
 7-E-21 TT 1934; Blaine Co., in Canton; 221.0 ft. S. of C/L main track AT&SF RR along W. line of Jefferson St. produced; 48.3 ft. N. of S. boundary of RR R/W; 37.5 ft. W. of C/L Jefferson St., 60.0 ft. SE. of E. cor. & 79.6 ft. E. of W. cor. of oil warehouse, conc. foundation. USC&GS & State Marker. C/L knob on Canton W.T. in azimuth $50^{\circ}32'58''$; C/L NW. cor. of chimney on brick schoolhouse in Canton in azimuth $335^{\circ}07'29''$.
 X-1,826,887.42 Y-384,965.14 El. 1585.289 ft.
 7-E-22 TT 1934; Blaine Co., on AT&SF RR R/W just W. of Canton; in SE. NW. sec. 9, T18N, R13W; 35.5 ft. N. of C/L main track; 2.4 ft. S. of N. R/W fence; 612.0 ft. SW. of intersection of main track & Garfield St. USC&GS & State Marker. C/L SW. cor. N. chimney on 1 story brick house about 0.24 mi. in azimuth $220^{\circ}42'45''$; C/L knob on Canton W.T. in azimuth $262^{\circ}51'09''$; C/L NW. cor. chimney on 1 story house about 0.08 mi. in azimuth $323^{\circ}09'45''$.
 X-1,824,570.84 Y-384,025.99 El. 1593.666 ft.
 7-E-23 TT 1934; Blaine Co., 0.75 mi. W. of Canton; 45.0 ft. N. & 1575.0 ft. W. of approx. E. cor. sec. 8, T18N, R13W; 0.6 ft. E. of pasture fence. USC&GS & State Marker. C/L S. gable on $1\frac{1}{2}$ story house about 0.5 mi. in azimuth $176^{\circ}44'14''$; C/L knob on Canton W.T. in azimuth $256^{\circ}32'15''$; C/L E. chimney on $1\frac{1}{2}$ story house about 0.8 mi. in azimuth $342^{\circ}54'54''$.
 X-1,820,884.04 Y-382,985.34 El. 1637.845 ft.
 14-C-37 TT 1934; Junction Station. See Traverse 14-C.

Traverse 7-F; Ellis, Woodward, Major & Garfield Co's.
 10-C-36 TT 1934 to 15-B-13 TT 1934
 North Projection

10-C-36 TT 1934; Junction Station. See Traverse 10-C.
 7-F-1 TT 1938; Ellis Co., 1.0 mi. S. of Shattuck; near approx. NE. cor. NW. NE. sec. 33, T21N, R25W; 984.0 ft. E. of C/L US. Hwy. #283; 33.0 ft. S. of C/L of road; 2.0 ft. S. of S. R/W fence; 281.0 ft. E. & 70.0 ft. S. of SE. cor. of cemetery on top of prominent gyp ridge. OSCC Marker. C/L Church belfry about 2.5 mi. in azimuth $47^{\circ}43'26''$; C/L Shattuck W.T. in azimuth $175^{\circ}02'03''$; C/L Gage W.T. in azimuth $240^{\circ}11'08''$.
 X-1,446,431.52 Y-464,355.05 El. 2348.579 ft.
 BM; Ellis Co., chiseled "X" on NE. cor. conc. headwall of 2' x 20' G.I.P. culvert; approx. 300.0 ft. E. of approx. SW. cor. sec. 25, T21N, R21W.
 El. 2336.421 ft.
 7-F-2 TT 1938; Ellis Co., 2.0 mi. S. & 1.9 mi. E. of Shattuck; 29.0 ft. N. & 261.0 ft. W. of approx. S. cor. sec. 35, T21N, R25W; 2.0 ft. S. of N. R/W fence. OSCC Marker. C/L Shattuck W.T. in azimuth $129^{\circ}07'06''$; C/L Gage W. T. in azimuth $226^{\circ}39'51''$; C/L gable on barn about 3 mi. in azimuth $274^{\circ}19'31''$.
 X-1,455,199.40 Y-458,863.41 El. 2363.999 ft.
 7-F-3 TT 1938; Ellis Co., 2.0 mi. S. & 4.0 mi. E. of Shattuck; 31.0 ft. S. & 32.0 ft. W. of approx. CC NE. cor. sec. 1, T20N, R25W; 2.0 ft. S. & 2.0 ft. W. of R/W fence cor. OSCC Marker. C/L Shattuck W.T. in azimuth $110^{\circ}37'32''$; C/L Gage W.T. in azimuth $212^{\circ}34'10''$; C/L chimney on 4 room house about 0.5 mi. in azimuth $229^{\circ}51'15''$.
 X-1,466,298.95 Y-458,582.06 El. 2301.088 ft.
 7-F-4 TT 1938; Ellis Co., 2.0 mi. S. & 4.5 mi. E. of Shattuck; 20.0 ft. N. & 38.0 ft. E. of approx. SW cor. sec. 32, T21N, R24W; 2.0 ft. S. of N. R/W fence. OSCC Marker. C/L Shattuck W.T. in azimuth $108^{\circ}31'45''$; C/L chimney on

- house about 0.5 mi. in azimuth $188^{\circ}03'47''$; C/L Gage W.T. in azimuth $208^{\circ}49'00''$.
- X-1,468,708.26 Y-458,599.72 El. 2323.442 ft.
7-F-5 TT 1938; Ellis Co., 2.0 mi. S. & 4.75 mi. E. of Shattuck; approx. 30.0 ft. S. & 1382.0 ft. W. of approx. NE. cor. sec. 6, T20N, R24W; 2.0 ft. N. of N. R/W fence. OSCC Marker. C/L Shattuck W.T. in azimuth $107^{\circ}44'10''$; C/L Gage W.T. in azimuth $206^{\circ}33'48''$; C/L W. gable on barn about 0.25 mi. in azimuth $308^{\circ}49'30''$.
- X-1,470,025.89 Y-458,522.30 El. 2331.547 ft.
7-F-6 TT 1938; Ellis Co., 2.0 mi. S. & 7.0 mi. E. of Shattuck; 28.0 ft. N. & 200.0 ft. E. of approx. $S\frac{1}{2}$ cor. sec. 34, T21N, R24W; 6.0 ft. N. & 13.0 ft. E. of rural tel. angle pole; 60.0 ft. N. & 69.0 ft. E. of SE. R/W fence cor. of T-road S. OSCC Marker. C/L Shattuck W.T. about 12 mi. in azimuth $102^{\circ}11'11''$; C/L Gage W.T. about 9 mi. in azimuth $183^{\circ}13'41''$; C/L N. gable of pr. of gables facing W. on house about 2.75 mi. in azimuth $292^{\circ}57'26''$.
- X-1,482,055.53 Y-458,392.44 El. 2317.830 ft.
7-F-7 TT 1938; Ellis Co., 2.0 mi. S. & 9.5 mi. E. of Shattuck; 30.0 ft. S. & 181.0 ft. W. of approx. $N\frac{1}{4}$ cor. sec. 1, T20N, R24W; 12.0 ft. E. & 74.0 ft. S. of SW. R/W fence cor. T-road N., 2.0 ft. S. of S. R/W fence. OSCC Marker. C/L Gage W.T. about 7 mi. in azimuth $157^{\circ}27'29''$; C/L S. gable on L-shaped house about 2.25 mi. in azimuth $243^{\circ}53'29''$.
- X-1,495,017.40 Y-458,128.65 El. 2343.301 ft.
7-F-8 TT 1938; Ellis Co., 2.0 mi. S. & 10.0 mi. E. of Shattuck; 25.0 ft. N. & 452.0 ft. W. of approx. $S\frac{1}{4}$ cor. sec. 31, T21N, R23W; 3.0 ft. S. of SE. yard fence cor. at E.W. Harall farmhome. OSCC Marker. C/L S. gable of roof just visible over horizon in azimuth $239^{\circ}22'48''$.
- X-1,497,226.93 Y-458,152.10 El. 2324.959 ft.
7-F-9 TT 1938; Ellis Co., 2.0 mi. S. & 12.0 mi. E. of Shattuck; 33.0 ft. S. & 567.0 ft. W. of approx. CC NE. cor. sec. 5, T20N, R23W; 1.5 ft. S. of S. R/W fence. OSCC Marker. C/L N. gable T-shaped schoolhouse about 1.5 mi. in azimuth $16^{\circ}37'15''$; C/L Gage W.T. about 8 mi. in azimuth $138^{\circ}47'38''$.
- X-1,507,865.07 Y-457,930.27 El. 2331.372 ft.
7-F-10 TT 1938; Ellis Co., 2.0 mi. S. & 12.5 mi. E. of Shattuck; 65.0 ft. N. & 610.0 ft. W. of approx. SE. cor. sec. 33, T21N, R23W; on top of Armadillo Butte; 28.0 ft. N. of N. R/W fence. OSCC Marker. C/L N. gable on T-shaped schoolhouse about 2.3 mi. in azimuth $31^{\circ}56'33''$; C/L S. gable of house almost hidden by grove of trees about 2 mi. in azimuth $174^{\circ}21'15''$; C/L chimney on small house with W. porch in azimuth $356^{\circ}33'53''$.
- X-1,510,517.02 Y-458,012.83 El. 2376.388 ft.
7-F-11 TT 1938; Ellis Co., 2.0 mi. S. & 14.0 mi. E. of Shattuck; 33.0 ft. S. & 1033.0 ft. W. of approx. $N\frac{1}{4}$ cor. sec. 3, T20N, R23W; 2.0 ft. N. of S. R/W fence. OSCC Marker. C/L chimney on small house about 3 mi. in azimuth $30^{\circ}47'46''$; C/L Fargo W.T. about 10 mi. in azimuth $184^{\circ}52'34''$; C/L wooden windmill tower about 3.5 mi. in azimuth $246^{\circ}03'31''$.
- X-1,517,851.85 Y-457,789.30 El. 2395.400 ft.
7-F-12 TT 1938; Ellis Co., 2.0 mi. S. & 14.5 mi. E. of Shattuck; 40.0 ft. N. & 526.0 ft. W. of approx. SE. cor. sec. 35, T21N, R23W; 3.0 ft. S. of N. R/W fence. OSCC Marker. C/L Fargo W.T. about 10 mi. in azimuth $180^{\circ}43'47''$; C/L wooden windmill tower about 2.25 mi. in azimuth $237^{\circ}45'32''$.
- X-1,521,130.09 Y-457,838.74 El. 2389.909 ft.
7-F-13 TT 1938; Ellis Co., 2.0 mi. S. & 16.0 mi. E. of Shattuck; 18.0 ft. S. & 28.0 ft. W. of approx. CC NE. cor. sec. 1, T20N, R23W; 55.0 ft. S. of SW. lot cor. post; on top of shrub covered sand hill. OSCC Marker. C/L S. gable on small house about 4 mi. in azimuth $115^{\circ}54'34''$; C/L N. windowed gable on David Runyan's house about 2.25 mi. in azimuth $303^{\circ}26'04''$.
- X-1,528,505.94 Y-457,700.25 El. 2373.343 ft.
7-F-14 TT 1938; Woodward Co., 2.0 mi. S. & 16.8 mi. E. of Shattuck; 29.0 ft. N. & 875.0 ft. W. of approx. $S\frac{1}{2}$ cor. sec. 32, T21N, R22W; 1.5 ft. S. of N. R/W fence. OSCC Marker. C/L chimney center of roof on house about 3.0 mi. in azimuth $240^{\circ}20'06''$; C/L N. gable T-shaped house of J.E. Smalley about 3 mi. in azimuth $294^{\circ}16'26''$.
- X-1,533,785.43 Y-457,684.55 El. 2373.343 ft.

- 7-F-15 TT 1938; Woodward Co., 2.0 mi.S. & 17.5 mi.E. of Shattuck; 2.0 mi.S. & 13.5 mi.W. of Sharon; 30.0 ft.S. & 43.0 ft.W. of approx. N $\frac{1}{2}$ cor. sec. 5, T20N, R22W. OSCC Marker. C/L N. windowed gable of David Runyan house in azimuth 33°10'20"; C/L chimney in center of roof on H.R. Love house in azimuth 227°07'35"; C/L Vici W.T. in azimuth 300°18'47".
X-1, 537, 270.43 Y-457, 598.23 El. 2357.839 ft.
- 7-F-16 TT 1938; Woodward Co., 2.0 mi.S. & 12.0 mi.W. of Sharon; 53.0 ft.N. & 60.0 ft.W. of approx. S $\frac{1}{2}$ cor. sec. 34, T21N, R22W; 29.0 ft.N. of N.R/W fence. OSCC Marker. C/L N. windowed gable on David Runyan house about 3 mi. in azimuth 69°13'04"; C/L chimney in center of roof on H.R. Love house about 1.1 mi. in azimuth 158°23'04"; C/L N. gable T-shaped house of J.E. Smalley about 1.1 mi. in azimuth 351°57'54".
X-1, 545, 162.80 Y-457, 605.81 El. 2416.337 ft.
- 7-F-17 TT 1938; Woodward Co., 2.0 mi.S. & 10.4 mi.W. of Sharon; 44.0 ft.N. & 599.0 ft.W. of approx. SE. cor. sec. 35, T21N, R22W; 11.0 ft.N. of N.R/W fence. OSCC Marker. C/L N. gable sheet-iron roof on J.E. Smalley barn about 2.75 mi. in azimuth 52°56'12"; C/L S. gable on house about 2.5 mi. in azimuth 225°33'24"; C/L Vici W.T. about 12 mi. in azimuth 299°47'32".
X-1, 552, 851.43 Y-457, 455.21 El. 2439.622 ft.
- 7-F-18 TT 1938; Woodward Co., 2.0 mi.S. & 9.25 mi.W. of Sharon; 33.0 ft.N. & 317.0 ft.E. of approx. SW. cor. sec. 31, T21N, R21W; 3.0 ft.S. of N.R/W fence. OSCC Marker. C/L chimney on E. end sheet iron roofed schoolhouse in azimuth 318°51'09".
X-1, 558, 920.25 Y-457, 324.05 El. 2353.917 ft.
- 7-F-19 TT 1938; Woodward Co., 2.0 mi.S. & 7.6 mi.W. of Sharon; 31.0 ft.S. & 1176.0 ft.E. of approx. CC NW. cor. sec. 5, T20N, R21W; 3.0 ft.S. of S. R/W fence. OSCC Marker. C/L chimney on E. end sheet iron-roofed school house about 2.0 mi. in azimuth 07°49'35"; C/L chimney in center sq. one story house in azimuth 38°03'15"; C/L S. gable on frame house on horizon in azimuth 225°47'55".
X-1, 567, 353.94 Y-457, 110.04 El. 2264.983 ft.
- 7-F-20 TT 1938; Woodward Co., 2.0 mi.S. & 6.15 mi.W. of Sharon; 110.0 ft.N. & 363.0 ft.E. of approx. SW. cor. sec. 34, T21N, R21W; 94.0 ft.N. of N. R/W fence in pasture between forks of Persimmon Creek. OSCC Marker. C/L N. gable on small frame house with shed barn to W. about 1.2 mi. in azimuth 339°16'25".
X-1, 574, 845.75 Y-457, 196.73 El. 2160.608 ft.
- 7-F-21 TT 1938; Woodward Co., 2.0 mi.S. & 4.85 mi.W. of Sharon; 34.0 ft.S. & 821.0 ft.W. of approx. CC NE. cor. sec. 3, T20N, R21W; 1.0 ft.N. of S. R/W fence. OSCC Marker. C/L chimney on sq. top house with conc. basement in azimuth 179°45'35".
X-1, 581, 337.88 Y-456, 945.26 El. 2203.609 ft.
- 7-F-22 TT 1938; Woodward Co., 2.0 mi.S. & 3.95 mi.W. of Sharon; 34.0 ft.S. & 1832.0 ft.W. of approx. CC NE. cor. sec. 2, T20N, R21W; 2.5 ft.S. of S. R/W fence. OSCC Marker. C/L chimney on sq. top house with conc. basement about 2.25 mi. in azimuth 144°24'25"; C/L SE. gable on sheet-iron roofed filling sta. about 2.25 mi. in azimuth 203°02'35"; C/L NW. cor. sq. farmhouse about 0.75 mi. in azimuth 328°35'05".
X-1, 585, 975.55 Y-456, 861.54 El. 2225.317 ft.
- 7-F-23 TT 1938; Woodward Co., 2.0 mi.S. & 2.45 mi.W. of Sharon; 165.0 ft.N. & 822.0 ft.E. of approx. S $\frac{1}{2}$ cor. sec. 31, T21N, R20W; on top of sage brush sandy knoll. OSCC Marker. C/L chimney on 2 story T-shaped house about 3.25 mi. in azimuth 175°30'05".
X-1, 593, 616.62 Y-456, 942.01 El. 2208.145 ft.
- 7-F-24 TT 1938; Woodward Co., 2.0 mi.S. & 1.0 mi.W. of Sharon; 515.0 ft.N. & 117.0 ft.W. of approx. CC SE. cor. sec. 32, T21N, R20W; atop S. end of sage brush sandy knoll. OSCC Marker. C/L chimney on 2 story T-shaped house about 2.5 mi. in azimuth 150°19'30"; C/L SW. cor. main sec. Sharon brick schoolhouse in azimuth 207°45'56"; C/L finial Vici W.T. in azimuth 336°17'50".
X-1, 600, 892.57 Y-457, 320.55 El. 2188.158 ft.

9-D-14 TT 1934; Junction Station. See Traverse 9-D.

7-F-25 TT 1938; Woodward Co., 2.0 mi.S.& 2.5 mi.E.of Sharon; 54.5 ft.S.& 209.0 ft.W.of approx. CC NE.cor.sec.2,T20N,R20W; in triangle of turnouts to T-road S., NW.from NW.gate post; 41.0 ft.E.of tangent curve cor.post in S.R/W fence; 52.0 ft.N.of tangent curve cor.post in S.R/W fence; 83.0 ft.S.of N.R/W fence. OSCC Marker. C/L SW.cor.main sec.Sharon brick school about 3 mi.in azimuth $128^{\circ}13'03''$; C/L E.gable frame house in cedar grove about 4.5 mi.in azimuth $67^{\circ}49'56''$; C/L S.gable 2 chimney house about 5 mi.in azimuth $213^{\circ}08'16''$.

X-1,618,683.41 Y-456,500.98 El. 2058.298 ft.

7-F-26 TT 1938; Woodward Co., 2.0 mi.S.& 3.0 mi.E.of Sharon; 42.5 ft.N.& 40.0 ft.E.of approx.SW.cor.sec.31,T21N,R19W; 11.0 ft.S.& 3.0 ft.E.of rural tel.pole; 7.0 ft.E.of E.R/W fence; 13.0 ft.N.of N.R/W fence. OSCC Marker. C/L S.gable of 2 chimney house in azimuth $201^{\circ}39'46''$; C/L NW.cor.of house about 2.25 mi.in azimuth $239^{\circ}57'16''$; C/L W.gable 2 story house about 5.5 mi.in azimuth $293^{\circ}44'26''$.

X-1,622,056.40 Y-456,537.73 El. 2072.116 ft.

7-F-27 TT 1938; Woodward Co., 2.0 mi.S.& 5.1 mi.E.of Sharon; 34.0 ft.S.& 1200.0 ft.W.of approx. CC NE.cor.sec.5,T20N,R19W; 2.0 ft.N.of S.R/W fence; 34.0 ft.W.of tree row to S. at W.edge of abandoned farmhome lot. OSCC Marker. C/L E.gable on house in saddle of hills about 2.5 mi.in azimuth $197^{\circ}41'51''$; C/L chimney on sq.farmhouse in azimuth $296^{\circ}21'53''$; C/L Vici W.T.in azimuth $324^{\circ}38'13''$.

X-1,633,224.14 Y-456,283.39 El. 1937.218 ft.

7-F-28 TT 1938; Woodward Co., 2.0 mi.S.& 6.4 mi.E.of Sharon; 34.5 ft.N.& 682.0 ft.W.of approx. $S\frac{1}{2}$ cor.sec.34,T21N,R19W; 34.5 ft.N.of approx. CC NW.cor.sec.3,T20N,R19W; 84.0 ft.N.& 31.0 ft.W.of SE.R/W fence cor. T-road S., 2.0 ft.S.of rural tel.pole in sand hummock; 5.0 ft.N.of N.R/W fence line. OSCC Marker. C/L peak on sq.roof house about 2 mi.in azimuth $10^{\circ}43'32''$; C/L finial on Vici W.T.in azimuth $32^{\circ}44'22''$; C/L NE.cor.Mutual large brick schoolhouse in azimuth $294^{\circ}09'17''$.

X-1,639,763.08 Y-456,263.63 El. 1913.226 ft.

7-F-29 TT 1938; Woodward Co., 2.0 mi.S.& 8.5 mi.E.of Sharon; 1.0 mi.N.& 1.0 mi.W.of Mutual; 27.0 ft.S.& 160.0 ft.E.of approx. CC NW.cor.sec.1,T20N,R19W; 2.5 ft.N.of S.R/W fence. OSCC Marker. C/L chimney on sq.farmhouse about 2.5 mi.in azimuth $45^{\circ}30'16''$; C/L E.gable on house in saddle of hills about 4.5 mi.in azimuth $128^{\circ}05'01''$; C/L NE.cor.brick schoolhouse in Mutual about 1.25 mi.in azimuth $328^{\circ}14'51''$.

X-1,650,472.91 Y-456,029.31 El. 1875.113 ft.

7-F-30 TT 1938; Woodward Co., 1.0 mi.N.& 0.5 mi.E.of Mutual; 30.0 ft.N.& 361.0 ft.W.of approx.SE.cor.sec.31,T21N,R18W; 1.0 ft.S.& 4.0 ft.E.of rural tel.pole. OSCC Marker. C/L NE.cor.large brick schoolhouse in Mutual in azimuth $32^{\circ}46'13''$; C/L E.gable of house on E.slope of saddle in hills about 6 mi.in azimuth $116^{\circ}29'28''$; C/L gin pole atop silo about 1.5 mi.in azimuth $315^{\circ}12'43''$.

X-1,658,485.76 Y-455,990.48 El. 1849.366 ft.

7-F-31 TT 1938; Woodward Co., 1.0 mi.N.& 1.4 mi.E.of Mutual; 27.5 ft.S.& 205.0 ft.W.of approx. $N\frac{1}{2}$ cor.sec.5,T20N,R18W; 40.0 ft.E.of C/L hwy., 4.5 ft.N.of S.R/W fence projected. OSCC Marker set in N.end of E.headwall of double 5 x 4 ft.skew conc.box culvert under US.Hwy.#270. C/L N.gable on house about 1.12 mi.in azimuth $28^{\circ}50'55''$; C/L gable on 3 chimney house about 1 mi.in azimuth $199^{\circ}19'35''$; C/L gin pole on conc.silo about 1.25 mi.in azimuth $352^{\circ}40'35''$.

X-1,663,080.12 Y-455,868.82 El. 1814.009 ft.

7-F-32 TT 1938; Woodward Co., 1.0 mi.N.& 1.8 mi.E.of Mutual; 29.0 ft.N.& 918.0 ft.E.of approx.SW.cor.sec.33,T21N,R18W; 1.0 ft.S.& 84.5 ft.E.of REA pole; 1.0 ft.N.& 6.0 ft.E.of phone pole; 1.5 ft.S.of N.R/W fence. OSCC Marker. C/L S.gable on 3 chimney house about 1 mi.in azimuth $173^{\circ}27'48''$; C/L S.gable on 2 story house in grove of trees about 1.25 mi.in azimuth $228^{\circ}22'53''$; C/L NW.cor.flat roofed filling station about

1.4 mi. in azimuth 308°31'38".

X-1,665,089.09 Y-455,899.75 El. 1828.914 ft.

7-F-33 TT 1938; Woodward Co., 1.0 mi. N. & 3.5 mi. E. of Mutual; 29.5 ft. S. & 276.0 ft. E. of approx. N $\frac{1}{4}$ cor. sec. 3, T20N, R18W; 2.0 ft. N. of S.R/W fence. OSCC Marker. C/L SE. cor. 2 chimney house in grove of locust trees in azimuth 133°00'17".

X-1,674,051.74 Y-455,728.40 El. 1834.128 ft.

7-F-34 TT 1938; Woodward Co., 1.0 mi. N. & 4.3 mi. E. of Mutual; 29.0 ft. N. & 801.0 ft. E. of approx. S $\frac{1}{4}$ cor. sec. 35, T21N, R18W; 1.5 ft. S. of N.R/W fence, opposite drive to farmhouse of W.A. Dunshee. OSCC Marker. C/L N. gable on L-shaped house about 1 mi. in azimuth 02°20'51".

X-1,678,119.65 Y-455,737.93 El. 1788.162 ft.

7-F-35 TT 1938; Woodward Co., 1.0 mi. N. & 5.5 mi. E. of Mutual; 22.5 ft. S. & 31.0 ft. E. of approx. N $\frac{1}{2}$ cor. sec. 1, T20N, R18W; approx. 830.0 ft. W. of right bank of North Canadian River. OSCC Marker. C/L N. gable on L-shaped house in azimuth 48°54'49".

X-1,684,243.12 Y-455,621.69 El. 1768.124 ft.

Cut Tri. Sta., Woodward Co., C.I.A. 1934; located in approx. NE $\frac{1}{4}$ sec. 13, T20N, R18W; about 0.3 mi. W. of E. line & about 50.0 yds. N. of S. line of above $\frac{1}{2}$; about 100.0 yds. S. of US. Hwy. #270 where it passes thru a deep cut about 9.5 mi. NW. of Seiling. Mark is set on a high knoll in pasture land owned by E.D. Larson of Newkirk, Okla., land leased by Louis Symes. To reach sta. from P.O. in Seiling go N. & NW. on US. Hwy. #270 for 9.6 mi. to a deep cut. Sta. is on highest knoll in vicinity about 100.0 yds. S. of cut. Surface, underground, reference & azimuth marks are bronze tablets set in conc. & described according to notes lb, 7a, 11b, & 11a.

X-1,685,132.60 Y-442,127.60 El. 1891.041 ft.

R.M. #1 is 24.930 m. (81.81 ft.) in azimuth 78°50'08". El. 1886.839 ft.
R.M. #2 is 37.274 m. (122.28 ft.) in azimuth 177°31'09". El. 1885.396 ft.
Azimuth mark is set in E-W fence line 35.0 ft. S. of C/L US. Hwy. #270. To reach from sta. go E. on US. Hwy. #270 for 1.2 mi. to mark on left of road, in azimuth 292°45'57".

7-F-36 TT 1938; Woodward Co., 6.5 mi. E. of Mutual; 36.0 ft. N. & 146.0 ft. E. of approx. S $\frac{1}{2}$ cor. sec. 6, T20N, R17W; 1.0 ft. N. of N.R/W fence; 71.0 ft. N. & 21.0 ft. W. of 24" cottonwood tree; directly opposite drive to Alfred Atwell farmhouse. OSCC Marker. C/L SW. cor. large T-shaped house about 1.5 mi. in azimuth 113°43'39"; C/L point of S. gable on two story farmhouse about 2 mi. in azimuth 128°50'04"; Cut Tri. Sta. to E. gable of barn about 1.75 mi. in azimuth 125°14'14"; Cut Tri. Sta. to S. gable of filling sta. about 0.5 mi. in azimuth 285°56'54".

X-1,689,401.02 Y-449,878.57 El. 1752.979 ft.

7-F-37 TT 1938; Woodward Co., 7.0 mi. E. & 2.0 mi. N. of Mutual; 50.0 ft. N. & 450.0 ft. W. of approx. SE. cor. sec. 30, T21N, R17W; atop prominent sand hill, 60.0 ft. S. of N. brow. OSCC Marker. C/L Seiling W.T. in azimuth 319°31'03"; C/L Vici W.T. in azimuth 61°16'01"; C/L chimney on Pearl Valley School in azimuth 283°56'05".

X-1,690,119.42 Y-460,880.05

7-F-38 TT 1938; Woodward Co., 8.0 mi. E. & 1.0 mi. N. of Mutual; 1200.0 ft. N. & 1300.0 ft. E. of approx. SW. cor. sec. 4, T20N, R17W; 1.75 mi. S. of May-hund Store & Filling Sta., 1.25 mi. S. of Pearl Valley Schoolhouse atop dromedary sandhill at S. margin of sand dunes bordering N. Canadian River. OSCC Marker. C/L chimney on schoolhouse in azimuth 160°18'10"; C/L Seiling W.T. in azimuth 319°56'01"; Cut Tri. Sta. to Vici W.T. in azimuth 69°23'11".

X-1,698,569.07 Y-451,468.12 El. 1790.830 ft.

7-F-39 TT 1938; Woodward Co., 8.0 mi. E. & 1.7 mi. N. of Mutual; 1240.0 ft. S. & 250.0 ft. W. of approx. NE. cor. sec. 32, T21N, R17W; 2.0 ft. E. of W. fence at NW. cor. Pearl Valley School grounds; 75.0 ft. N. of SW. cor. post; 126.0 ft. W. of W. end of schoolhouse in range of comb. OSCC Marker. C/L chimney on schoolhouse in azimuth 276°13'17".

X-1,695,568.10 Y-459,510.01 El. 1742.347 ft.

- 7-F-40 TT 1938; Woodward Co., 9.1 mi.E. & 2.0 mi.N. of Mutual; 367.0 ft.N. & 675.0 ft.E. of approx. SW. cor. sec. 27, T21N, R17W; atop S. end of long sand ridge shrouded with sage brush. OSCC Marker. C/L Vici W.T. in azimuth $64^{\circ}35'52''$; C/L chimney on Pearl Valley School about 1 mi. in azimuth $75^{\circ}43'06''$; C/L Seiling W.T. in azimuth $329^{\circ}47'35''$.
 X-1, 701, 756.61 Y-461, 039.23 El. 1792.284 ft.
- 7-F-41 TT 1938; Woodward Co., 10.1 mi.E. & 0.5 mi.N. of Mutual; 60.0 ft.N. & 238.0 ft.E. of approx. SW. cor. sec. 35, T21N, R17W; 27.0 ft.N. of N.R/W fence. OSCC Marker. C/L chimney on house on horizon about 6 mi. in azimuth $46^{\circ}52'17''$; C/L chimney on T-shaped bungalow about 4 mi. in azimuth $135^{\circ}29'52''$; C/L chimney on brick house about 1.25 mi. in azimuth $294^{\circ}21'02''$.
 X-1, 706, 531.37 Y-455, 401.07 El. 1758.331 ft.
- 7-F-42 TT 1938; Woodward Co., 10.6 mi.E. & 0.5 mi.N. of Mutual; 40.0 ft.N. & 313.0 ft.E. of approx. $S\frac{1}{2}$ cor. sec. 35, T21N, R17W; 25.0 ft.N. of N.R/W fence. OSCC Marker. C/L Vici W.T. in azimuth $69^{\circ}27'43''$; C/L chimney on house about 0.5 mi. in azimuth $261^{\circ}14'33''$; C/L Seiling W.T. in azimuth $334^{\circ}43'15''$.
 X-1, 709, 216.47 Y-455, 331.66 El. 1774.979 ft.
- 7-F-43 TT 1938; Woodward Co., 11.1 mi.E. & 0.5 mi.N. of Mutual; 30.0 ft.S. & 285.0 ft.E. of approx. CC NW. cor. sec. 1, T20N, R17W; 2.0 ft.N. of S. R/W fence. OSCC Marker. C/L E. chimney on farmhouse about 0.5 mi. in azimuth $13^{\circ}30'13''$; C/L chimney on unpainted farmhouse about 0.25 mi. in azimuth $104^{\circ}12'28''$.
 X-1, 713, 220.86 Y-455, 223.25 El. 1782.529 ft.
- 7-F-44 TT 1938; Woodward Co., 12.0 mi.E. & 0.5 mi.N. of Mutual; 38.0 ft.N. & 247.0 ft.W. of approx. SE. cor. sec. 36, T21N, R17W; 14.0 ft.N. of N.R/W fence. OSCC Marker. C/L chimney on brick house in azimuth $52^{\circ}10'35''$; C/L chimney on farmhouse about 0.75 mi. in azimuth $271^{\circ}15'15''$; C/L Seiling W.T. in azimuth $344^{\circ}30'35''$.
 X-1, 716, 594.02 Y-455, 238.46 El. 1787.399 ft.
- 7-F-45 TT 1938; Major Co., 14.0 mi.E. & 0.5 mi.N. of Mutual; 2.0 mi. N. & 0.4 mi.W. of Chester; 27.0 ft.S. & 312.0 ft.W. of approx. SW. cor. sec. 33, T21N, R16W; monument is in sec. 5, T20N; 5.0 ft.S. of S. R/W fence in a plumb thicket on top of a sand hill; 738.0 ft.W. of C/L OK. Hwy. #14. OSCC Marker. C/L Seiling W.T. in azimuth $00^{\circ}05'41''$; C/L chimney on house in azimuth $337^{\circ}14'16''$.
 X-1, 727, 070.56 Y-455, 027.37 El. 1820.640 ft.
- 7-F-45-A TT 1938; Major Co., 1.5 mi.N. & 0.25 mi.W. of Chester; 319.0 ft.S. & 1252.0 ft.W. of approx. $E\frac{1}{2}$ cor. sec. 5, T20N, R16W; 106.0 ft.N. & 68.0 ft.E. of fence cor. on top of sage brush knoll in pasture. OSCC Marker. C/L Seiling W.T. in azimuth $00^{\circ}29'42''$; C/L chimney on top 1 story house about 0.25 mi. in azimuth $247^{\circ}10'59''$.
 X-1, 727, 302.55 Y-451, 694.86 El. 1803.921 ft.
- 7-F-45-B TT 1938; Major Co., 0.5 mi.N. of Chester; 241.0 ft.S. & 49.5 ft.E. of approx. $W\frac{1}{2}$ cor. sec. 9, T20N, R16W; 2.5 ft.W. of E. R/W fence on OK. Hwy. #14; 249.0 ft.S. of cross fence. OSCC Marker. C/L E. peak of roof on schoolhouse at W. edge of Chester in azimuth $47^{\circ}54'58''$; C/L N. chimney on house about 6 mi. in azimuth $56^{\circ}17'56''$; C/L chimney on Chester Church in azimuth $347^{\circ}36'28''$.
 X-1, 728, 553.87 Y-446, 505.89 El. 1743.449 ft.
- 7-F-45-C TT 1938; Major Co., 0.75 mi.S. of Chester; 1565.0 ft.N. & 46.0 ft.E. of approx. SW. cor. sec. 16, T20N, R16W; 2.0 ft.W. of E. R/W fence on OK. Hwy. #14; in range of tel. pole & cross fence E. OSCC Marker. C/L chimney on Chester Church in azimuth $186^{\circ}26'30''$.
 X-1, 728, 489.50 Y-440, 416.78 El. 1700.811 ft.
- 7-F-45-D TT 1938; Major Co., 1.0 mi.S. & 0.6 mi.E. of Chester; 24.0 ft.N. & 645.0 ft.E. of approx. $S\frac{1}{2}$ cor. sec. 16, T20N, R16W; 2.0 ft.S. of N.R/W fence; 72.0 ft.S. & 12.0 ft.W. of 12" blackjack tree. OSCC Marker. C/L E. chimney on farmhouse about 3 mi. in azimuth $48^{\circ}10'19''$.
 X-1, 731, 716.49 Y-438, 829.87 El. 1705.030 ft.

7-F-45-E TT 1938; Major Co., 1.0 mi.S. & 1.1 mi.E. of Chester; 22.0 ft.S. & 551.0 ft.E. of approx. NW. cor. sec. 22, T20N, R16W; 7.0 ft.N. of S.R/W fence. OSCC Marker.

X-1,734,240.04 Y-438,738.99 El. 1700.050 ft.

Monroe Azimuth Station, 1934; Major Co., 2.0 mi.S. & 1.0 mi.E. of Chester; 30.0 ft.S. & 25.0 ft.E. of approx. NW. cor. sec. 27, T20N, R16W.

X-1,733,692.97 Y-433,465.37 El. 1686.170 ft.

Monroe Tri. Sta., Major Co., C.I.A. 1934. Located about 0.05 mi.N. of center W. edge sec. 27, T20N, R16W; 1.0 mi.E. & 2.25 mi.S. of Chester P.O., in sand hill section on N. bank of N. Canadian River; in pasture land covered with brush & sage brush, on property of Mrs. Minnie Monroe of Siberia, Alaska. To reach from jct. of OK. Hwy. #14 & US. Hwy. #60 in Chester, go S. on US. Hwy. #60 & OK. Hwy. #14 for 2.2 mi. to T-road E., 0.3 mi.N. of hwy. bridge over Canadian River, turn left E. & go 1.0 mi., turn right S. thru gate & go 0.4 mi. keeping right fork of sand trail to base of the highest round sand hill in vicinity, about 900.0 ft.S. SE. of Mr. W. W. Floyd house just S. of row of cottonwood trees. Mark is on highest point of knoll 20.0 ft.S. of N. break of knoll. Surface, underground, reference, & azimuth marks are bronze tablets set in conc. & described according to notes 1b, 7a, 11b, & 11a.

X-1,733,632.09 Y-431,205.83 El. 1750.954 ft.

R.M.#1 is 29.475 m. (96.704 ft.) in azimuth 341°00'24".

El. 1742.288 ft.

R.M.#2 is 21.217 m. (69.608 ft.) in azimuth 119°58'31".

El. 1745.430 ft.

To reach azimuth mark from N. end of hwy. bridge over Canadian River go N. 0.3 mi. on US. Hwy. #60, turn right E. & go 1.0 mi. Mark is 40.0 ft.S. of C/L of road; 18.0 ft.E. of center of lane into field in E-W R/W fence line in azimuth 181°32'37".

7-F-46 TT 1938; Major Co., 14.5 mi.E. & 0.5 mi.N. of Mutual; 2.0 mi.N. & 0.5 mi.E. of Chester, via OK. Hwy. #14; 29.0 ft.N. & 163.0 ft.W. of approx $S\frac{1}{4}$ cor. sec. 33, T21N, R16W; 3.0 ft.N. of N.R/W fence. OSCC Marker. C/L Seiling W.T. in azimuth 04°15'27"; C/L chimney on house about 0.5 mi. in azimuth 26°59'19"; C/L S. gable on farmhouse about 0.62 mi. in azimuth 119°57'39".

X-1,729,794.25 Y-455,057.70 El. 1843.748 ft.

7-F-47 TT 1938; Major Co., 2.0 mi.N. & 1.5 mi.E. of Chester; 27.0 ft.S. & 100.0 ft.W. of approx. $N\frac{1}{4}$ cor. sec. 3, T20N, R16W; 2.0 ft.N. of S.R/W fence. OSCC Marker.

X-1,736,296.62 Y-454,928.35 El. 1860.238 ft.

7-F-48 TT 1938; Major Co., 2.0 mi.N. & 2.8 mi.E. of Chester; 27.0 ft.N. & 1300.0 ft.W. of approx. SE. cor. sec. 35, T21N, R16W; 2.0 ft.N. of N.R/W fence; 90.0 ft.W. of W. gate post to farm drive. OSCC Marker. C/L stove pipe chimney on house about 0.5 mi. in azimuth 153°13'24".

X-1,741,732.89 Y-454,933.90 El. 1864.191 ft.

7-F-48-A TT 1938; Major Co., 2.5 mi.N. & 2.3 mi.E. of Chester; 28.0 ft.N. & 1432.0 ft.E. of approx. SW. cor. sec. 26, T21N, R16W; 4.0 ft.N. of N.R/W fence Tp. road. OSCC Marker.

X-1,739,401.49 Y-460,215.40 El. 1876.661 ft.

7-F-48-B TT 1938; Major Co., 3.2 mi.N. & 2.0 mi.E. of Chester; 1005.0 ft.N. & 17.5 ft.E. of approx. SW. cor. sec. 26, T21N, R16W; 2.0 ft.W. of E.R/W fence Tp. road; 2.0 ft.N. of cross fence E. at N. edge of cultivated field. OSCC Marker. C/L chimney on Pleasant View School about 0.75 mi. in azimuth 178°38'09"; C/L chimney on house about 0.5 mi. in azimuth 355°59'16".

X-1,738,000.17 Y-461,207.58 El. 1859.662 ft.

Chester Tri. Sta., Major Co., C.I.A. 1934; at NE. cor. $SE\frac{1}{4}$ sec. 22, T21N, R16W; 1.8 mi.E. & 4.5 mi.N. of Chester P.O. on Battle Ridge (local name); 0.5 mi.N. of Pleasant View School; 60.0 yds.W. of N-S dirt road; 116.0 ft.S. of E-W fence line on high knoll in sage brush covered pasture land; property of Mr. John Ward who lives 0.5 mi.SW., mark projects 6"

above ground. To reach from Chester P.O. at jct. of OK Hwy. #14 & US Hwy. #60, go N. on OK Hwy. #14 for 4.0 mi. to cross roads & sec. cor., turn right on sandy road & go 2.0 mi. E. to a T-jct. at schoolhouse, turn left & go 0.5 mi. N. to point where E-W fence line crosses road near top of grade, sta. is then 60.0 yds. W., Surface, underground, reference, & azimuth marks are bronze tablets set in conc. & described according to notes lb, 7a, 11b, & 11a.

X-1,738,074.47 Y-467,953.00 El. 1905.481 ft.

R.M.#1 is 44.415 m. (145.72 ft.) in azimuth 249°53'15".

El. 1896.429 ft.

R.M.#2 is 25.295 m. (83.00 ft.) in azimuth 347°18'23".

El. 1904.874 ft.

Azimuth mark is 0.7 mi. in azimuth 228°10'32"; 30.0 ft. S. of C/L of road; 0.5 mi. E. of right angle turn in road. To reach from sta. go E. to road, turn left & go 0.5 mi. N., turn right with road & go 0.5 mi. E. to top of slight grade & mark on right., 3.0 ft. S. of fence line, road goes thru shallow cut at this place, mark projects 6".

7-F-49 TT 1938; Major Co., 2.0 mi. N. & 3.0 mi. E. of Chester; 26.0 ft. S. & 285.0 ft. W. of approx. NE. cor. sec. 2, T20N, R16W; 3.0 ft. N. of S.R/W fence. OSCC Marker.

X-1,744,054.53 Y-454,864.48 El. 1857.236 ft.

7-F-49-A TT 1938; Major Co., 2.0 mi. N. & 3.8 mi. E. of Chester; 28.0 ft. N. & 796.0 ft. W. of approx. SE. cor. sec. 36, T21N, R16W; OSCC Marker.

X-1,747,625.85 Y-454,894.61 El. 1837.195 ft.

7-F-49-B TT 1938; Major Co., 2.0 mi. N. & 5.0 mi. E. of Chester; 16.0 ft. S. & 54.0 ft. E. of approx. CC NW. cor. sec. 5, T20N, R15W; 5.0 ft. NE. of 8" blackjack tree. OSCC Marker. C/L chimney on 2 story house about 2 mi. in azimuth 151°26'03"; C/L chimney on 1 story house on horizon about 6 mi. in azimuth 162°06'43"; C/L chimney on T-shaped house about 0.15 mi. in azimuth 288°47'21".

X-1,754,792.95 Y-454,792.80 El. 1854.705 ft.

7-F-50 TT 1938; Major Co., 2.0 mi. N. & 5.6 mi. E. of Chester; 27.0 ft. N. & 575.0 ft. E. of approx. S $\frac{1}{2}$ cor. sec. 32, T21N, R15W; 3.0 ft. N. of N.R/W fence; 352.0 ft. W. of W. end of Orion Schoolhouse. OSCC Marker.

X-1,756,903.07 Y-454,826.69 El. 1806.533 ft.

7-F-51 TT 1938; Major Co., 2.0 mi. N. & 5.8 mi. E. of Chester; 28.0 ft. S. & 150.0 ft. W. of approx. SE. cor. sec. 32, T21N, R15W; mon. is in sec. 5, T20N, 6.0 ft. N. of margin of blackjack woods just W. of well improved N-S road. OSCC Marker. C/L chimney on Orion School about 0.37 mi. in azimuth 89°11'25"; C/L S. gable on T-shaped house on horizon about 5 mi. in azimuth 206°02'03".

X-1,758,869.09 Y-454,780.72 El. 1819.494 ft.

7-F-52 TT 1938; Major Co., 2.0 mi. N. & 7.15 mi. E. of Chester; 28.0 ft. S. & 600.0 ft. E. of approx. NW. cor. sec. 3, T20N, R15W; 2.5 ft. N. of S.R/W fence on top of N-S blackjack covered sandridge. OSCC Marker.

X-1,765,805.64 Y-454,705.41 El. 1848.508 ft.

7-F-53 TT 1938; Major Co., 2.0 mi. N. & 7.85 mi. E. of Chester; 40.0 ft. N. & 65.0 ft. E. of approx. SW. cor. sec. 35, T21N, R15W; top of cut where road curves to S. OSCC Marker.

X-1,769,530.64 Y-454,721.45 El. 1842.545 ft.

7-F-54 TT 1938; Major Co., 2.2 mi. N. & 7.85 mi. E. of Chester; 1139.0 ft. N. & 35.0 ft. W. of approx. SE. cor. sec. 34, T21N, R15W; 2.0 ft. W. of W.R/W fence. OSCC Marker.

X-1,769,393.86 Y-455,852.22 El. 1836.806 ft.

7-F-55 TT 1938; Major Co., 3.0 mi. N. & 7.85 mi. E. of Chester; 129.0 ft. N. & 24.0 ft. E. of approx. SW. cor. sec. 26, T21N, R15W; 2.0 ft. W. of E.R/W fence. OSCC Marker. C/L chimney Pleasant View School about 6 mi. in azimuth 99°27'01"; C/L chimney on house on horizon about 6 mi. in azimuth 117°20'04"; C/L S. gable 1 story T-shaped farmhouse about 1.5 mi. in azimuth 169°58'46".

X-1,769,495.31 Y-460,107.07 El. 1806.069 ft.

- 7-F-56 TT 1938; Major Co., 0.4 mi.S. & 16.5 mi.W. of Fairview; 884.0 ft.N. & 507.0 ft.E. of approx. $S\frac{1}{4}$ cor. sec. 26, T21N, R15W; 157.0 ft.S. of E-W fence; 71.0 ft.W. & 17.0 ft.S. of S. gate post on prominent sandy knoll in pasture, approx. 300.0 ft.NE. of small farmhouse. OSCC Marker. C/L chimney on house about 0.25 mi. in azimuth $138^{\circ}13'01''$; C/L chimney on T shaped house about 2 mi. in azimuth $155^{\circ}23'46''$; C/L chimney on 2 story house about 1.5 mi. in azimuth $236^{\circ}48'21''$.
X-1, 772, 595.88 Y-460, 787.73 El. 1804.081 ft.
- 7-F-57 TT 1938; Major Co., 0.5 mi.S. & 14.75 mi.W. of Fairview; 1330.0 ft.E. & 30.0 ft.N. of approx. SW. cor. sec. 30, T21N, R14W; 2.0 ft.S. of E-W fence. 2.0 ft.S. & in range of T-fence to N., thought to be $\frac{1}{2}$ sec. fence; on top of high N-S ridge. OSCC Marker. C/L chimney on house about 8 mi. in azimuth $109^{\circ}45'04''$; C/L chimney on 2 story house about 4 mi. in azimuth $127^{\circ}26'09''$.
X-1, 780, 977.97 Y-459, 849.38 El. 1805.857 ft.
- 7-F-58 TT 1938; Major Co., 0.5 mi.S. & 14.0 mi.W. of Fairview; 591.0 ft.E. & 28.0 ft.N. of approx. SW. cor. sec. 29, T21N, R14W; 3.5 ft.N. of N.R/W fence on bank of 10.0 ft. cut overlooking broad valley to E. OSCC Marker. C/L chimney on 1 story brick house about 1 mi. in azimuth $228^{\circ}44'45''$; C/L chimney on schoolhouse about 3 mi. in azimuth $262^{\circ}28'30''$; C/L chimney on T-shaped house about 1.5 mi. in azimuth $271^{\circ}44'17''$.
X-1, 785, 752.77 Y-459, 806.10 El. 1798.343 ft.
- 7-F-59 TT 1938; Major Co., 0.5 mi.S. & 13.0 mi.W. of Fairview; 29.0 ft.S. & 44.0 ft.W. of approx. NE. cor. sec. 32, T21N, R14W; 9.0 ft.N. of S.R/W fence; 8.0 ft.N. of rural phone line. OSCC Marker. C/L chimney on large 2 story sq. top house on horizon about 2 mi. in azimuth $27^{\circ}39'58''$; C/L chimney on 1 story house about 0.37 mi. in azimuth $84^{\circ}58'50''$; C/L N. gable on 1 story house about 1.25 mi. in azimuth $326^{\circ}12'43''$.
X-1, 790, 376.12 Y-459, 700.77 El. 1605.123 ft.
- 7-F-60 TT 1938; Major Co., 0.5 mi.S. & 11.5 mi.W. of Fairview; 41.0 ft.N. & 134.0 ft.E. of approx. $S\frac{1}{4}$ cor. sec. 27, T21N, R14W; 7.0 ft.N. of N.R/W fence; 7.0 ft.N. & 5.0 ft.E. of rural phone pole. OSCC Marker. C/L chimney on house about 0.5 mi. in azimuth $82^{\circ}02'09''$; C/L chimney on house about 0.5 mi. in azimuth $218^{\circ}51'26''$; C/L chimney on school about 1 mi. in azimuth $244^{\circ}59'09''$.
X-1, 798, 396.24 Y-459, 724.64 El. 1627.076 ft.
- 7-F-61 TT 1938; Major Co., 0.5 mi.S. & 10.5 mi.W. of Fairview; 28.0 ft.S. & 228.0 ft.E. of approx. $N\frac{1}{4}$ cor. sec. 35, T21N, R14W; 2.0 ft.S. of S.R/W fence. OSCC Marker. C/L chimney on house about 0.75 mi. in azimuth $127^{\circ}06'13''$; C/L chimney on school about 0.5 mi. in azimuth $177^{\circ}40'08''$; C/L stove pipe chimney on farmhouse about 1.25 mi. in azimuth $339^{\circ}15'43''$.
X-1, 803, 744.64 Y-459, 629.12 El. 1620.991 ft.
- 7-F-62 TT 1938; Major Co., 0.5 mi.S. & 10.0 mi.W. of Fairview; 21.0 ft.N. & 713.0 ft.E. of approx. SW. cor. sec. 25, T21N, R14W; 2.0 ft.N. of 5" witness post. OSCC Marker. C/L chimney on 1 story brick house about 0.75 mi. in azimuth $18^{\circ}31'00''$; C/L chimney on farmhouse about 0.75 mi. in azimuth $172^{\circ}52'57''$; C/L chimney on 1 story house about 0.75 mi. in azimuth $313^{\circ}55'25''$.
X-1, 806, 831.66 Y-459, 634.70 El. 1605.035 ft.
- 7-F-63 TT 1938; Major Co., 0.5 mi.S. & 8.5 mi.W. of Fairview; 27.0 ft.S. & 215.0 ft.E. of approx. $N\frac{1}{2}$ cor. sec. 31, T21N, R13W; 2.0 ft.N. of S.R/W fence. OSCC Marker. C/L chimney on 1 story house about 0.75 mi. in azimuth $31^{\circ}57'55''$; C/L chimney on 1 story house about 0.5 mi. in azimuth $130^{\circ}27'10''$; C/L chimney on farmhouse about 0.5 mi. in azimuth $312^{\circ}58'10''$.
X-1, 814, 152.48 Y-459, 561.83 El. 1564.555 ft.
- 7-F-64 TT 1938; Major Co., 0.5 mi.S. & 7.9 mi.W. of Fairview; 30.0 ft.N. & 481.0 ft.E. of approx. SW. cor. sec. 29, T21N, R13W; 2.0 ft.N. of N.R/W fence., 2.0 ft.W. of W. yard fence of Jacob Higgins farmhouse. OSCC Marker. C/L chimney on house about 1 mi. in azimuth $111^{\circ}46'48''$; C/L W. gable on stucco $1\frac{1}{2}$ story house about 0.75 mi. in azimuth $268^{\circ}40'58''$; C/L E. chimney on T-shaped house about 2 mi. in azimuth $322^{\circ}19'18''$.
X-1, 817, 057.30 Y-459, 589.39 El. 1584.240 ft.

- 7-F-65 TT 1938; Major Co., 1.5 mi.S. & 6.2 mi.W. of Fairview; 155.0 ft.N. & 1200.0 ft.W. of approx. SE. cor. sec. 33, T21N, R13W; on N. end of small gyp hill projecting into cultivated field. OSCC Marker. C/L chimney on 1 story T-shaped house about 0.37 mi. in azimuth $56^{\circ}55'29''$; C/L chimney on $1\frac{1}{2}$ story T-shaped house about 2 mi. in azimuth $153^{\circ}23'39''$; C/L chimney on schoolhouse about 2.2 mi. in azimuth $242^{\circ}32'42''$.
X-1,825,771.11 Y-454,400.37 El. 1612.998 ft.
- 7-F-66 TT 1938; Major Co., 1.5 mi.S. & 4.1 mi.W. of Fairview; 59.0 ft.S. & 410.0 ft.W. of approx. SW. cor. sec. 36, T21N, R13W; on top of W. brow of hill E. of sec. line to N. of creek; 29.0 ft.S. of S.R/W fence Tp. road; 376.0 ft.W. of fence cor. on S.R/W fence Tp. road & W.R/W fence US Hwy. # 60. OSCC Marker. C/L chimney on 1 story L-shaped house about 0.5 mi. in azimuth $85^{\circ}28'52''$; C/L chimney on schoolhouse about 1.5 mi. in azimuth $161^{\circ}37'47''$; C/L W. gable on farmhouse about 2 mi. in azimuth $300^{\circ}39'10''$.
X-1,837,093.49 Y-454,095.63 El. 1582.824 ft.
- 7-F-67 TT 1938; Major Co., 1.5 mi.S. & 3.6 mi.W. of Fairview; 27.0 ft.N. & 1130.0 ft.W. of approx. $S\frac{1}{4}$ cor. sec. 36, T21N, R13W; 1.5 mi.S. of N.R/W fence. OSCC Marker. C/L chimney on school about 1.75 mi. in azimuth $144^{\circ}35'20''$; C/L ball on AT&SF W.T. in Fairview in azimuth $253^{\circ}26'05''$; C/L steeple on church about 5 mi. in azimuth $338^{\circ}46'40''$.
X-1,839,042.89 Y-454,166.31 El. 1571.028 ft.
- 7-F-68 TT 1938; Major Co., 1.5 mi.S. & 2.5 mi.W. of Fairview; 350.0 ft.S. & 2385.0 ft.W. of approx. SE. cor. sec. 31, T21N, R12W; top of gyp butte in pasture. OSCC Marker. C/L E. gable 1 story frame house about 0.75 mi. in azimuth $29^{\circ}29'55''$; C/L chimney on schoolhouse about 3 mi. in azimuth $198^{\circ}00'05''$; C/L Fairview AT&SF RR W.T. in azimuth $243^{\circ}48'33''$.
X-1,845,616.64 Y-453,741.59 El. 1475.489 ft.
- 7-F-69 TT 1938; Major Co., 1.5 mi.S. & 0.85 mi.W. of Fairview; 35.0 ft.S. & 200.0 ft.E. of approx. NW. cor. sec. 4, T20N, R12W; 2.0 ft.S. & 82.0 ft.W. of NE. cor. of Fairview School yard; 10.0 ft.S. of S.R/W fence. OSCC Marker. C/L chimney on 2 story house about 1.5 mi. in azimuth $189^{\circ}15'34''$; C/L ball on AT&SF RR W.T. in azimuth $211^{\circ}10'50''$; C/L chimney on house about 0.5 mi. in azimuth $336^{\circ}30'11''$.
X-1,854,365.66 Y-453,989.23 El. 1358.457 ft.
- 7-E-1 TT 1934; Junction Station. See Traverse 7-E.
- 7-E-5 TT 1934; Junction Station. See Traverse 7-E.
- 7-F-70 TT 1938; Major Co., 4.5 mi.S. & 2.0 mi.E. of Fairview; 26.0 ft.S. & 269.0 ft.E. of approx. NW. cor. sec. 24, T20N, R12W; 2.0 ft.S. of S.R/W fence Tp. road; guard post set 2.0 ft.W. of mgn. OSCC Marker. C/L chimney on 2 story house about 0.5 mi. in azimuth $13^{\circ}57'22''$; C/L chimney on 2 story house about 1.25 mi. in azimuth $121^{\circ}30'40''$; C/L chimney on 2 story house about 3 mi. in azimuth $226^{\circ}06'20''$.
X-1,870,070.60 Y-437,781.77 El. 1296.234 ft.
- 7-F-71 TT 1938; Major Co., 4.5 mi.S. & 4.0 mi.E. of Fairview; at approx. cor. sec's. 17, 18, 19, 20, T20N, R11W; in C/L road intersection; 48.0 ft.SW. of fence cor., 37.0 ft.SE. of fence cor., 40.0 ft.NE. of fence cor., 40.0 ft.NW. of fence cor. OSCC Marker 10" below surface. C/L N. gable 2 story house about 2 mi. in azimuth $58^{\circ}57'18''$; C/L chimney on T shaped 2 story house about 1.5 mi. in azimuth $179^{\circ}08'11''$; C/L chimney on house about 0.75 mi. in azimuth $344^{\circ}26'26''$.
X-1,880,119.95 Y-437,876.60 El. 1252.422 ft.
- 7-F-72 TT 1938; Major Co., 4.5 mi.S. & 4.7 mi.E. of Fairview; 30.0 ft.SE. of approx. $N\frac{1}{4}$ cor. sec. 20, T20N, R11W; 1.0 ft.N. & 9.0 ft.W. of farmer tel. pole. OSCC Marker. C/L chimney on 1 story house about 0.75 mi. in azimuth $36^{\circ}24'14''$; C/L chimney on house about 1.75 mi. in azimuth $183^{\circ}08'34''$; C/L W. chimney on T-shaped house about 2 mi. in azimuth $299^{\circ}42'22''$.
X-1,883,844.62 Y-437,867.54 El. 1264.076 ft.
- 7-F-73 TT 1938; Major Co., 4.5 mi.S. & 5.8 mi.E. of Fairview; 24.0 ft.N. & 1247.0 ft.W. of approx. SE. cor. sec. 16, T20N, R11W; 2.0 ft.S. of N.R/W fence Tp. road. OSCC Marker.
X-1,889,395.02 Y-437,927.76 El. 1268.121 ft.

7-F-74 TT 1938; Major Co., 5.5 mi.S. & 6.6 mi.E. of Fairview; 32.0 ft.S. & 315.0 ft.E. of approx. N $\frac{1}{2}$ cor. sec. 27, T20N, R11W; 1.0 ft.S. of S.R/W fence Co. road; 273.0 ft.E. & 48.0 ft.N. of NE. cor. schoolhouse; 151.0 ft. N. of E. school yard fence. OSCC Marker. C/L chimney on house about 2 mi. in azimuth 83°48'32"; C/L chimney on T-shaped house about 1 mi. in azimuth 197°18'12"; C/L chimney on 1 story house about 4 mi. in azimuth 306°11'48".

X-1,893,581.64 Y-432,625.51 El. 1228.368 ft.

7-F-75 TT 1938; Major Co., 5.5 mi.S. & 7.8 mi.E. of Fairview; 55.0 ft.N. & 1363.0 ft.W. of approx. SE. cor. sec. 23, T20N, R11W; on CRI&P RR R/W; 3.0 ft.E. of W.R/W fence; 43.0 ft.W. of near rail. OSCC Marker. C/L chimney on 2 story house about 0.75 mi. in azimuth 150°39'52"; C/L chimney on 2 story house about 1.5 mi. in azimuth 302°39'53"; C/L N. chimney on 2 story T-shaped house about 2 mi. in azimuth 353°48'13".

X-1,899,781.43 Y-432,762.42 El. 1200.563 ft.

7-F-76 TT 1938; Major Co., 5.5 mi.S. & 8.6 mi.E. of Fairview; 699.0 ft.S. & 571.0 ft.E. of approx. N $\frac{1}{2}$ cor. sec. 25, T20N, R11W; in pasture; 135.0 ft.S. of cross fence; 238.0 ft.N. of W. gate post in cross fence. OSCC Marker. C/L S. gable on barn about 0.37 mi. in azimuth 122°52'19"; C/L chimney on Deep Creek School about 0.37 mi. in azimuth 255°14'26"; C/L W. chimney on 1 story T-shaped house about 0.75 mi. in azimuth 329°57'32".

X-1,904,383.49 Y-432,056.83 El. 1184.927 ft.

7-F-77 TT 1938; Major Co., 5.5 mi.S. & 9.0 mi.E. of Fairview; 33.5 ft.S. & 41.5 ft.E. of approx. NW. cor. sec. 30, T20N, R10W; 24.0 ft.N. & 61.0 ft. W. of NW. cor. Deep Creek Schoolhouse. OSCC Marker set in SW. cor. of cement cistern cover. C/L S. chimney on 2 story house about 0.5 mi. in azimuth 258°10'22"; C/L chimney on Deep Creek School about 0.02 mi. in azimuth 290°36'15"; C/L chimney on 2 story house about 0.5 mi. in azimuth 338°16'20".

X-1,906,499.05 Y-432,678.07 El. 1173.525 ft.

7-F-78 TT 1938; Major Co., 5.5 mi.S. & 10.5 mi.E. of Fairview; 77.0 ft.S. & 1.0 ft.W. of approx. N $\frac{1}{2}$ cor. sec. 29, T20N, R10W; 42.0 ft.S. of S.R/W fence Co. road; 1.0 ft.S. of cross fence; 10.0 ft.N. of 4" elm tree in cross fence. OSCC Marker. C/L chimney on 2 story house about 0.62 mi. in azimuth 54°49'59"; C/L chimney on 1 story T-shaped house about 1 mi. in azimuth 270°44'56"; C/L N. chimney on 1 story T-shaped house about 1 mi. in azimuth 324°13'21".

X-1,914,262.58 Y-432,638.12 El. 1163.999 ft.

7-F-79 TT 1938; Major Co., 5.0 mi.S. & 11.0 mi.E. of Fairview; at approx. E $\frac{1}{2}$ cor. sec. 20, T20N, R10W; in range of cross fence E., 33.0 ft.W. of E.R/W fence of cross fence cor. post. OSCC Marker 8" below road surface & 2.0 ft. below average ground surface. C/L chimney on 2 story house about 0.5 mi. in azimuth 122°06'22"; C/L chimney on schoolhouse about 1 mi. in azimuth 297°18'56"; C/L chimney on 2 story house about 1 mi. in azimuth 356°12'59".

X-1,916,906.40 Y-435,370.21 El. 1156.105 ft.

7-F-80 TT 1938; Major Co., 4.0 mi.S. & 11.0 mi.E. of Fairview; 2.5 ft.S. & 25.0 ft.E. of approx. N $\frac{1}{2}$ cor. sec. 16, T20N, R10W; 2.5 ft.N. of N.R/W fence; 2.5 ft.S. of cross fence. OSCC Marker. C/L chimney on schoolhouse about 0.5 mi. in azimuth 134°13'55"; C/L W. chimney on 2 story house about 0.75 mi. in azimuth 281°46'15"; C/L chimney on 2 story house about 2 mi. in azimuth 329°11'08".

X-1,916,937.40 Y-440,640.24 El. 1195.524 ft.

7-F-81 TT 1938; Major Co., 3.5 mi.S. & 12.0 mi.E. of Fairview; 50.0 ft.N. & 3.0 ft.E. of approx. SW. cor. sec. 10, T20N, R10W; 3.0 ft.N. of N.R/W fence Co. road; 3.0 ft.E. of cross fence. OSCC Marker. C/L chimney on 1 story L-shaped house about 5 mi. in azimuth 31°35'10"; C/L chimney on 1 story house about 0.5 mi. in azimuth 91°30'08"; C/L E. chimney on L-shaped house about 0.37 mi. in azimuth 355°55'03".

X-1,922,153.43 Y-443,298.45 El. 1179.881 ft.

7-F-82 TT 1938; Major Co., 3.5 mi.S. & 12.5 mi.E. of Fairview; 57.0 ft.N. & 680.0 ft.E. of approx. S $\frac{1}{2}$ cor. sec. 10, T20N, R10W; in range of NW.

guard rail of wood bridge across Cimarron River; 395.0 ft.SW.of SW.cor. of bridge; 32.0 ft.E.of C/L Co.road curve; 85.0 ft.N.of S.R/W fence; 173.0 ft.NW.of braced angle post in S.R/W fence; 171.0 ft.NE.of 20" in diam.lone elm tree. OSCC Marker. C/L E.chimney on 2 story T-shaped house about 1 mi.in azimuth $30^{\circ}39'32''$; C/L chimney on 1 story house about 1 mi.in azimuth $261^{\circ}49'00''$; C/L peak SL&SF RR W.T.about 1.25 mi.in azimuth $288^{\circ}49'10''$.

X-1,924,635.73 Y-443,314.37 El. 1154.489 ft.

7-F-83 TT 1938; Major Co., 2.6 mi.S.& 13.75 mi.E.of Fairview; 1.0 mi.S.& 2.2 mi.W.of Ames; 604.0 ft.S.& 1320.0 ft.W.of approx.NE.cor.sec. 11,T20N,R10W; on top of sand hill at E.margin of sand dunes; a little S.of range of C/L of bridge across Cimarron River; 350.0 ft.N.of C/L Co.road W.of curve where road enters a sand dune from NE. OSCC Marker. C/L W.chimney on large 2 story T-shaped house about 8 mi.in azimuth $16^{\circ}37'04''$; C/L N.peak elevator in Ames in azimuth $247^{\circ}51'49''$; C/L W.chimney on 1 story T-shaped house about 6 mi.in azimuth $357^{\circ}22'34''$.

X-1,931,406.70 Y-447,888.09 El. 1217.732 ft.

BM; Major Co., in approx.SW $\frac{1}{4}$ sec.1,T20N,R10W; about 200.0 ft.S.of W $\frac{1}{4}$ cor.of sec., chiseled "X" on headwall of 24" conc.pipe culvert.

El. 1167.245 ft.

7-F-84 TT 1938; Major Co., 1.5 mi.S.& 14.0 mi.E.of Fairview; 2.0 mi.W.of Ames; 107.0 ft.N.& 467.0 ft.E.of approx. CC NW.cor.sec.1,T20N, R10W; 66.0 ft.N.of N.R/W fence of Co.road on E.edge of small sand dune; 6.0 ft.SE.of cluster of blackjack stumps. OSCC Marker. C/L tip N.peak roof of Ames elevator in azimuth $269^{\circ}48'15''$.

X-1,933,212.65 Y-453,783.81 El. 1199.073 ft.

7-F-85 TT 1938; Major Co., 1.5 mi.S.& 14.7 mi.E.of Fairview; 1.5 mi.W.of Ames; 53.0 ft.S.& 1662.0 ft.W.of approx. CC NE.cor.sec.1,T20N, R10W; on top sand hill in "Horseshoe" private drive to farm shack; 53.0 ft.S.of C/L Co.road; 3.5 ft.S.& 10.0 ft.E.of tel.pole; 222.0 ft.W. of fence cor., 81.0 ft.E.of fence cor. OSCC Marker. C/L chimney on 2 story house about 0.5 mi.in azimuth $266^{\circ}13'05''$.

X-1,936,426.98 Y-453,599.72 El. 1201.701 ft.

7-F-86 TT 1938; Major Co., 0.5 mi.E.of Ames; 43.0 ft.N.& 58.0 ft. E.of approx.SW.cor.sec.33,T21N,R9W; 9.0 ft.SW.of angle post in N.R/W fence Co.road. OSCC Marker. C/L E.peak of roof on large barn about 0.37 mi.in azimuth $64^{\circ}15'54''$; C/L N.peak roof on Ames elevator in azimuth $94^{\circ}43'29''$; C/L chimney on 1 story house about 0.75 mi.in azimuth $133^{\circ}27'04''$.

X-1,948,229.03 Y-453,644.68 El. 1229.953 ft.

7-F-87 TT 1938; Major Co., 0.85 mi.E.of Ames; 49.0 ft.S.& 1880.0 ft.E.of CC approx.NW.cor.sec.4,T20N,R9W; 49.0 ft.S.of C/L Co.road; 2.0 ft.N.of S.R/W fence. OSCC Marker. C/L chimney on 2 story house about 2 mi.in azimuth $08^{\circ}37'17''$; C/L W.chimney on 1 $\frac{1}{2}$ story house about 0.75 mi. in azimuth $158^{\circ}04'35''$; C/L chimney on 1 story house about 0.5 mi.in azimuth $274^{\circ}11'15''$.

X-1,950,138.55 Y-453,543.87 El. 1227.357 ft.

BM; Major Co., in approx.SW.cor.sec.35,T21N,R9W; chiseled sq. on E.headwall of a 2 x 60 ft.R.C.pipe culvert.

El. 1258.413 ft.

7-F-88 TT 1938; Major Co., 2.5 mi.E.of Ames; 60.0 ft.N.& 164.0 ft. E.of approx.SW.cor.sec.35,T21N,R9W; 11.0 ft.N.of N.R/W fence Co.road. OSCC Marker. C/L N.peak roof on house about 0.75 mi.in azimuth $10^{\circ}34'54''$; C/L chimney on 1 story shack about 0.37 mi.in azimuth $84^{\circ}11'18''$; C/L chimney on 1 story house about 0.25 mi.in azimuth $260^{\circ}04'44''$.

X-1,958,894.78 Y-453,612.68 El. 1272.270 ft.

7-F-89 TT 1938; Major Co., 3.0 mi.E.of Ames; 49.0 ft.S.& 1.5 ft. W.of approx.N $\frac{1}{4}$ cor.sec.2,T20N,R9W; 1.5 ft.N.of S.R/W fence; 1.5 ft.W.of cross fence. OSCC Marker. C/L chimney on L-shaped house about 2 mi.in azimuth $06^{\circ}23'35''$; C/L chimney on 1 story sq.topped house about 0.25 mi. in azimuth $110^{\circ}11'15''$; C/L chimney on 1 story T-shaped house about 1.25 mi.in azimuth $335^{\circ}36'20''$.

X-1,961,520.59 Y-453,492.96 El. 1276.702 ft.

- 7-F-90 TT 1938; Major Co., 3.7 mi.E.of Ames; 40.0 ft.N.& 1307.0 ft.E.of approx.SW.cor.sec.36,T21N,R9W; 3.0 ft.S.of 16" diam.post oak tree; 83.0 ft.S.& 76.0 ft.E.of farm home of Edd May. OSCC Marker. C/L chimney on 1 story T-shaped house about 0.5 mi.in azimuth 273°28'43".
X-1,965,297.86 Y-453,572.98 El. 1284.885 ft.
- 7-F-91 TT 1938; Major Co., 4.5 mi.E.of Ames; 53.0 ft.S.& 438.0 ft.W.of approx.NE.cor.sec.1,T20N,R9W; 1.0 ft.S.of S.R/W fence; 1.0 ft.N.& 2.0 ft.W.of rural tel.pole. OSCC Marker. C/L E.chimney on 2 story T shaped house about 1 mi.in azimuth 18°37'43"; C/L S.peak roof 1 story house about 0.25 mi.in azimuth 274°25'38"; C/L N.chimney on house about 1.5 mi.in azimuth 309°08'26".
X-1,969,085.23 Y-453,480.46 El. 1278.807 ft.
- 7-F-92 TT 1938; Garfield Co., 5.0 mi.E.of Ames; 29.5 ft.N.& 5.0 ft.E.of approx.S $\frac{1}{2}$ cor.sec.31,T21N,R8W; 3.0 ft.N.of N.R/W fence Co.road; 5.0 ft.E.of cross fence; 21.0 ft.E.of last maple in large tree row on N.side of road. OSCC Marker. C/L chimney on 1 story house about 0.11 mi. in azimuth 290°26'49".
X-1,971,912.61 Y-453,559.57 El. 1263.106 ft.
- 7-F-93 TT 1938; Garfield Co., 7.5 mi.E.& 0.5 mi.N.of Ames; 3.5 mi.S.& 1.0 mi.W.of Drummond; 4.0 ft.N.& 42.5 ft.E.of approx.W $\frac{1}{4}$ cor.sec.34, T21N,R8W; 4.0 ft.E.of E.R/W fence Tp.road; 4.0 ft.N.of cross fence. OSCC Marker. C/L E.apex farmhouse about 1 mi.in azimuth 25°08'41"; C/L chimney on farmhouse about 1 mi.in azimuth 192°18'56"; C/L Waukomis water standpipe about 1 mi.in azimuth 259°07'06".
X-1,985,142.87 Y-456,153.54 El. 1280.715 ft.
- 7-F-94 TT 1938; Garfield Co., 4.0 mi.S.& 0.3 mi.E.of Drummond; 27.0 ft.S.& 980.0 ft.W.of approx.N $\frac{1}{2}$ cor.sec.2,T20N,R8W; 1.0 ft.N.& 1.5 ft.W. of cor.post to E.fence to private drive to farmhouse; 1.0 ft.N.& 5.0 ft.E.of OG&E power transformer pole #1063. OSCC Marker. C/L E.apex farm house about 1 mi.in azimuth 49°30'34"; C/L S.apex farmhouse about 1 mi. in azimuth 136°57'44"; C/L W.apex farmhouse about 0.5 mi.in azimuth 282°58'19".
X-1,991,968.81 Y-453,482.91 El. 1229.546 ft.
- 7-F-95 TT 1938; Garfield Co., 4.0 mi.S.& 1.25 mi.E.of Drummond; 27.0 ft.N.& 1263.0 ft.E.of approx.SW.cor.sec.36,T21N,R8W; 25.0 ft.N.of C/L Tp.road; 2.0 ft.S.of N.R/W fence. OSCC Marker. C/L S.apex farmhouse about 1.5 mi.in azimuth 122°55'39"; C/L Waukomis water standpipe in azimuth 251°08'51"; C/L peak Hennessey W.T.about 12 mi.in azimuth 326°45'11".
X-1,996,931.21 Y-453,528.89 El. 1218.820 ft.
- 7-F-96 TT 1938; Garfield Co., 4.0 mi.S.& 3.5 mi.E.of Drummond; 1.0 mi.N.& 0.5 mi.E.of Liberty School; 127.0 ft.W.& 23.5 ft.S.of approx.N $\frac{1}{4}$ cor.sec.5,T20N,R7W; in range of cross fence N., 1.5 ft.N.of S.R/W fence Tp.road. OSCC Marker. C/L base of flag pole on Drummond School about 5 mi.in azimuth 135°05'26"; C/L Waukomis water standpipe about 5 mi. in azimuth 241°43'26"; C/L NE.cor.of "dog-house" of Farmer Coop.Elevator in Bison about 5 mi.in azimuth 307°13'41".
X-2,008,829.34 Y-453,487.72 El. 1200.950 ft.
- 7-F-97 TT 1938; Garfield Co., 4.0 mi.S.& 5.25 mi.E.of Drummond; 2.5 mi.S.& 2.25 mi.W.of Waukomis; 32.0 ft.S.& 1222.0 ft.E. of approx. NW.cor.sec.3,T20N,R7W; 1.5 ft.N.of S.R/W fence Tp.road in range of W. cedar tree row at abandoned farmhouse N.of road. OSCC Marker. C/L N. apex farmhouse about 1 mi.in azimuth 02°23'58"; C/L E.apex dormer of farmhouse about 1.5 mi.in azimuth 42°12'33"; C/L E.apex E.dormer of farmhouse about 1.5 mi.in azimuth 119°39'20".
X-2,018,117.90 Y-453,462.25 El. 1232.056 ft.
- 7-F-97-A TT 1938; Garfield Co., 11.0 mi.S.& 3.2 mi.W.of Enid; 27.0 ft.N.& 1271.0 ft.W.of approx.SE.cor.sec.34,T21N,R7W; 1.5 ft.S.of N.R/W fence. OSCC Marker.
X-2,020,868.20 Y-453,528.62
BM; Garfield Co., 0.25 mi.E.of approx.NW.cor.sec.2,T20N,R7W;

chiseled sq. on E. end of S. headwall of 4 x 3 x 20 ft. conc. culvert.

El. 1212.489 ft.

7-F-98 TT 1938; Garfield Co., 2.5 mi. S. & 1.25 mi. W. of Waukomis;
174.0 ft. S. & 256.0 ft. W. of approx. N $\frac{1}{2}$ cor. sec. 2, T20N, R7W. OSCC Marker.
X-2, 024, 513.92 Y-453, 337.03 El. 1228.885 ft.
15-B-13 TT 1934; Junction Station. See Traverse 15-B.

(Note: Balance of 7-F line will come in North Central Publication).

Traverse 7-H; Blaine & Kingfisher Co.'s.

7-E-16 TT 1934 to 15-B-3 TT 1934

North Projection

7-E-16 TT 1934; Junction Station. See Traverse 7-E.

7-H-1 TT 1938; Blaine Co., 12.8 mi. W. of Okeene; 22.0 ft. N. & 0.2 mi. E. of approx. SW. cor. sec. 13, T19N, R13W; 6.0 ft. S. of N. R/W fence. OSCC Marker. C/L SW. cor. of chimney on farmhouse about 0.5 mi. in azimuth 161°12'31".

X-1, 839, 415.35 Y-406, 561.66

7-H-2 TT 1938; Blaine Co., 12.0 mi. W. of Okeene; 20.0 ft. S. & 58.0 ft. W. of approx. NE. cor. sec. 24, T19N, R13W; 8.0 ft. N. & 23.0 ft. W. of cor. post. OSCC Marker.

X-1, 843, 550.98 Y-406, 481.46 El. 1678.434 ft.

7-H-3 TT 1938; Blaine Co., 11.4 mi. W. of Okeene; 744.0 ft. E. & 4.0 ft. S. of approx. N $\frac{1}{2}$ cor. sec. 19, T19N, R12W; 34.0 ft. S. of N. R/W fence; 26.0 ft. N. of S. R/W fence; 26.0 ft. S. of C/L trail. OSCC Marker.

X-1, 846, 944.37 Y-406, 409.65 El. 1651.440 ft.

7-H-4 TT 1938; Blaine Co., 10.8 mi. W. of Okeene; 996.0 ft. E. & 39.0 ft. N. of approx. SW. cor. sec. 17, T19N, R12W; 13.0 ft. S. of angle fence; 39.0 ft. N. of hogwire fence; 72.0 ft. NE. of cor. post at E. end of lane. OSCC Marker. C/L NE. cor. chimney on house about 0.25 mi. in azimuth 43°03'00"; C/L gable on farmhouse about 1.25 mi. in azimuth 313°23'15".

X-1, 849, 776.30 Y-406, 401.45 El. 1597.625 ft.

7-H-5 TT 1938; Blaine Co., 10.5 mi. W. & 0.5 mi. S. of Okeene; 22.0 ft. S. & 523.0 ft. W. of approx. center sec. 20, T19N, R12W; 1.5 ft. S. of S. R/W fence; 44.0 ft. S. & 56.0 ft. E. of 16" cor. post of "T" fence to NW. OSCC Marker. C/L NE. cor. chimney on house about 0.5 mi. in azimuth 139°44'45"; C/L W. gable on farmhouse about 0.5 mi. in azimuth 275°45'15".

X-1, 850, 897.48 Y-403, 673.29 El. 1577.939 ft.

7-E-6 TT 1938; Blaine Co., 9.0 mi. W. & 0.5 mi. S. of Okeene; 24.0 ft. N. & 700.0 ft. W. of approx. E $\frac{1}{2}$ cor. sec. 21, T19N, R12W; 2.0 ft. S. of N. R/W fence & 46.0 ft. N. of W. gate post in S. R/W fence. OSCC Marker. C/L Okeene W. T. in azimuth 266°57'47".

X-1, 858, 607.58 Y-403, 642.27 El. 1564.560 ft.

7-H-7 TT 1938; Blaine Co., 7.5 mi. W. & 0.75 mi. S. of Okeene; 1000.0 ft. N. & 408.0 ft. E. of approx. S $\frac{1}{2}$ cor. sec. 23, T19N, R12W; 220.0 ft. S. & 185.0 ft. W. of meander fence; 240.0 ft. NW. of lone mesquite bush on top of E-W table hill. OSCC Marker. C/L Southard W. T. in azimuth 22°22'15"; C/L W. gable on schoolhouse about 10 mi. in azimuth 201°11'25"; C/L Okeene W. T. in azimuth 263°38'50".

X-1, 867, 547.53 Y-401, 873.69 El. 1537.862 ft.

7-H-8 TT 1938; Blaine Co., 5.0 mi. W. & 1.0 mi. S. of Okeene; 2.0 ft. N. & 281.0 ft. W. of approx. SE. cor. sec. 19, T19N, R11W; 3.0 ft. S. of N. R/W fence. OSCC Marker. C/L Southard W. T. in azimuth 49°32'05"; C/L steeple Okeene Catholic Church in azimuth 259°50'57"; C/L N. gable on Darrow wheat elevator about 0.75 mi. in azimuth 298°22'17".

X-1, 879, 781.34 Y-400, 933.81 El. 1302.138 ft.

7-H-9 TT 1938; Blaine Co., 3.9 mi. W. & 1.0 mi. S. of Okeene; 25.0 ft. S. & 1142.0 ft. E. of approx. NW. cor. sec. 28, T19N, R11W; 2.0 ft. N. of S. R/W fence; 2.0 ft. N. & 7.0 ft. E. of E. gate post to private drive. OSCC Marker.

- C/L Southard W.T. in azimuth $57^{\circ}34'49''$; C/L Okeene W.T. in azimuth $255^{\circ}03'49''$; C/L W.gable on schoolhouse about 1.5 mi. in azimuth $219^{\circ}09'41''$; C/L W.gable on schoolhouse about 3 mi. in azimuth $338^{\circ}50'21''$.
 X-1,886,476.38 Y-400,949.42 El. 1271.170 ft.
 7-H-10 TT 1938; Blaine Co., 2.5 mi.W. & 1.0 mi.S. of Okeene; 1.0 ft. N. & 850.0 ft.E. of approx. $N\frac{1}{2}$ cor. sec. 27, T19N, R11W; 40.0 ft.S. of near rail of SE&SL RR track; 1.5 ft.N. of RR R/W fence; 5.0 ft.S. & 147.5 ft. W. of MP. #621-10. OSCC Marker. C/L S.gable on barn about 1 mi. in azimuth $206^{\circ}25'22''$; C/L W.gable schoolhouse about 1 mi. in azimuth $342^{\circ}05'22''$.
 X-1,894,113.08 Y-401,053.10 El. 1243.920 ft.
 7-H-11 TT 1938; Blaine Co., 1.0 mi.W. & 0.8 mi.S. of Okeene; 917.0 ft.N. & 25.0 ft.W. of approx. SE. cor. sec. 23, T19N, R11W; 46.0 ft.S. of near rail of SE&SL RR track; 3.0 ft.E. & 3.0 ft.N. of S.RR R/W fence; 1.5 ft. E. of W. N-S sec. line fence. OSCC Marker. C/L ventilator on barn about 1 mi. in azimuth $04^{\circ}49'42''$; C/L Southard W.T. in azimuth $66^{\circ}36'50''$; C/L S.gable on barn about 1 mi. in azimuth $147^{\circ}17'32''$; C/L Okeene W.T. in azimuth $229^{\circ}13'11''$.
 X-1,901,142.26 Y-401,989.29 El. 1227.331 ft.
 7-H-12 TT 1938; Blaine Co., 1.0 mi.W. & 0.2 mi.S. of Okeene; 967.0 ft.S. & 23.0 ft.E. of approx. NW. cor. sec. 24, T19N, R11W; 2.0 ft.W. of E.R/W fence; 150.0 ft.S. of cross fence to E. OSCC Marker. C/L Southard W.T. in azimuth $62^{\circ}45'02''$; C/L S.gable of barn about 0.5 mi. in azimuth $122^{\circ}15'22''$; C/L Okeene W.T. in azimuth $260^{\circ}49'22''$.
 X-1,901,196.73 Y-405,379.75 El. 1230.447 ft.
 7-H-13 TT 1938; Blaine Co., 0.5 mi.W. of Okeene; 23.0 ft.S. & 143.0 ft.E. of approx. $N\frac{1}{2}$ cor. sec. 24, T19N, R11W; 2.0 ft.S. of phone pole & 2.0 ft. N. of S.R/W fence opposite drive to house N. of road. OSCC Marker. C/L Southard W.T. in azimuth $63^{\circ}14'25''$; C/L SE. chimney on 2 story house about 0.25 mi. in azimuth $118^{\circ}16'26''$; C/L Okeene Catholic Church in azimuth $280^{\circ}05'56''$.
 X-1,903,933.33 Y-406,324.39 El. 1215.319 ft.
 7-H-14 TT 1938; Blaine Co., in Okeene; 27.0 ft.N. & 41.0 ft.W. of approx. SE. cor. sec. 13, T19N, R11W; at NW. cor. of intersection of OK. Hwy. # 51 & Main St., 2.5 ft.E. of side walk ramp; 2.5 ft.S. of N. curb stone; 1.5 ft.W. & 1.5 ft.S. of fire plug. OSCC Marker set flush with surface of pvt. C/L top Okeene W.T. in azimuth $59^{\circ}38'30''$; C/L spire on Okeene Catholic Church in azimuth $319^{\circ}35'20''$.
 X-1,906,391.04 Y-406,399.52 El. 1218.379 ft.
 7-H-15 TT 1938; Blaine Co., 1.2 mi.E. of Okeene; 18.0 ft.S. & 1085.0 ft.E. of approx. NW. cor. sec. 20, T19N, R10W; on W. end of S. headwall of 3 x 6 ft. conc. culvert. OSCC Marker. C/L E.gable on schoolhouse about 3.5 mi. in azimuth $58^{\circ}10'43''$; C/L S.gable unpainted barn about 2 mi. in azimuth $237^{\circ}33'58''$; C/L N.gable on barn about 0.5 mi. in azimuth $314^{\circ}12'40''$.
 X-1,912,682.18 Y-406,317.13 El. 1195.611 ft.
 7-H-16 TT 1938; Blaine Co., 3.7 mi.E. of Okeene; 48.0 ft.S. & 1748.0 ft.W. of approx. NE. cor. sec. 22, T19N, R10W; on W. end of S. headwall of 3 x 6 ft. conc. culvert; 349.0 ft.E. & 152.0 ft.N. of farmhouse. OSCC Marker. C/L E.gable on barn about 0.75 mi. in azimuth $108^{\circ}25'59''$; C/L S.gable on barn about 2.5 mi. in azimuth $236^{\circ}47'49''$; C/L W.gable of 4 gabled 2 story house about 3 mi. in azimuth $292^{\circ}08'34''$.
 X-1,925,596.69 Y-406,280.66 El. 1203.890 ft.
 7-H-17 TT 1938; Blaine Co., 5.0 mi.E. of Okeene; 38.0 ft.N. & 13.0 ft.W. of approx. SE. cor. sec. 14, T19N, R10W; in angle of W. headwall of 16" diam. conc. culvert; 12.0 ft.S. of R.E.A. line. OSCC Marker set flush with surface. C/L S.gable big barn about 0.5 mi. in azimuth $176^{\circ}50'33''$.
 X-1,932,670.43 Y-406,327.39 El. 1174.029 ft.
 BM; Blaine Co., 5.6 mi.E. of Okeene; "X" chiseled on W. end of S. headwall of conc. culvert. El. 1160.267 ft.
 7-H-18 TT 1938; Kingfisher Co., 6.4 mi.E. of Okeene; 50.0 ft.S. & 565.0 ft.W. of approx. $N\frac{1}{2}$ cor. sec. 19, T19N, R9W; 3.0 ft.N. of S.R/W fence; 2.0 ft.N. of phone line in range of W. side of small farmhouse N. of road.

- OSCC Marker. C/L S.gable on large barn about 1 mi.in azimuth 121°04'33"; C/L S.gable on grainery about 0.75 mi.in azimuth 222°51'53"; C/L N.gable on 2 story farmhouse about 0.75 mi.in azimuth 308°29'48".
 X-1,939,932.85 Y-406,226.08 El. 1150.333 ft.
 7-H-19 TT 1938; Kingfisher Co., 7.0 mi.E.of Okeene; 40.0 ft.S.& 12.0 ft.E.of approx.NW.cor.sec.20,T19N,R9W; in angle of E.headwall of 30" diam.conc.culvert; 59.0 ft.E.& 40.0 ft.N.of NE.cor.of Star School. OSCC Marker set flush with surface. C/L E.gable tin barn about 0.25 mi.in azimuth 111°03'49"; C/L N.gable of 2 story house about 0.5 mi.in azimuth 351°45'09".
 X-1,943,138.93 Y-406,196.96 El. 1117.024 ft.
 7-H-20 TT 1938; Kingfisher Co., 8.0 mi.E.of Okeene; 31.5 ft.N.& 257.0 ft.E.of approx.SW.cor.sec.16,T19N,R9W; 180.0 ft.S.of C/L OK.Hwy.#51; 118.0 ft.N.& 20.0 ft.W.of 20" cottonwood tree; 114.0 ft.N.& 77.5 ft.E.of 26" cottonwood tree atop blow sandridge. OSCC Marker. C/L N.gable 2 story farmhouse about 0.75 mi.in azimuth 60°35'43"; C/L S.gable red grainery about 1 mi.in azimuth 128°30'58".
 X-1,948,662.60 Y-406,226.75 El. 1108.545 ft.
 7-H-21 TT 1938; Kingfisher Co., 14.7 mi.W.& 0.7 mi.N.of Hennessey; near approx.NW.cor.SE,SE.sec.16,T19N,R9W; 6.0 ft.W.of E.end of S.curb of conc.bridge over Cimarron River; 11.6 ft.S.of C/L OK.Hwy.#51. OSCC Marker set flush with curb. C/L S.gable red grainery about 2 mi.in azimuth 104°53'11"; C/L E.gable 2 story farmhouse about 2.5 mi.in azimuth 355°06'21".
 X-1,950,989.90 Y-408,269.13 El. 1108.754 ft.
 7-H-22 TT 1938; Kingfisher Co., 14.0 mi.W.& 0.5 mi.N.of Hennessey; approx. 0.5 mi.E.of Cimarron River; 347.0 ft.N.& 187.0 ft.W.of approx. S₂ cor.sec.15,T19N,R9W; 292.0 ft.N.of N.R/W fence on OK.Hwy.#51 on top of sage brush covered N-S blow sandridge. OSCC Marker. C/L E.chimney on 2 story farmhouse about 5.0 mi.in azimuth 12°37'58"; C/L Southard W.T. in azimuth 76°56'53".
 X-1,956,156.43 Y-406,547.70 El. 1141.947 ft.
 7-H-23 TT 1938; Kingfisher Co., 13.1 mi.W.& 0.5 mi.N.of Hennessey; 36.0 ft.S.& 560.0 ft.W.of approx.N₁ cor.sec.23,T19N,R9W; 2.0 ft.S.of S. R/W fence on S.bank of 8 ft.cut. OSCC Marker.
 X-1,961,077.76 Y-406,100.23 El. 1164.115 ft.
 7-H-24 TT 1938; Kingfisher Co., 11.9 mi.W.& 0.5 mi.N.of Hennessey; 30.0 ft.S.& 649.0 ft.E.of approx.N₁ cor.sec.24,T19N,R9W; 2.5 ft.N.of S. R/W fence; 62.5 ft.S.& 24.0 ft.N.of R.E.A. pole. OSCC Marker. C/L E.edge of front of Long Bell Office about 1 mi.in azimuth 21°12'08"; C/L S.gable on house about 2 mi.in azimuth 162°42'45"; C/L W.gable on farm house about 0.25 mi.in azimuth 262°15'43".
 X-1,967,488.76 Y-406,091.77 El. 1169.242 ft.
 7-H-25 TT 1938; Kingfisher Co., 11.0 mi.W.& 0.5 mi.N.of Hennessey; 29.2 ft.N.& 3.0 ft.W.of approx.S₁ cor.sec.18,T19N,R8W; 3.0 ft.W.of cross fence to N., 3.0 ft.N.of N.R/W fence in SE.cor.of pasture opposite cemetery. OSCC Marker. C/L NW.cor.Lacy School bldg.about 0.5 mi.in azimuth 265°14'01"; C/L chimney on top of house about 1 mi.in azimuth 336°11'56".
 X-1,971,907.93 Y-406,198.46 El. 1186.708 ft.
 7-H-26 TT 1938; Kingfisher Co., 10.25 mi.W.of Hennessey; 700.0 ft.S.& 400.0 ft.E.of approx.NW.cor.NE,NW.sec.20,T19N,R8W; 2.0 ft.W.of lane fence at E.edge of cultivated field; 107.0 ft.S.of cross fence to E.on land of H.V.Sturegon. OSCC Marker. C/L N.gable of farmhouse about 0.25 mi.in azimuth 59°44'05"; C/L SW.cor.Lacy School bldg.in azimuth 116°51'05"; C/L W.gable farmhouse about 0.5 mi.in azimuth 258°52'10".
 X-1,976,293.20 Y-405,346.99 El. 1196.994 ft.
 7-H-27 TT 1938; Kingfisher Co., 9.5 mi.W.of Hennessey; 32.0 ft.N.& 275.0 ft.W.of approx.SE.cor.sec.17,T19N,R8W; 1.0 ft.S.of N.R/W fence. OSCC Marker. C/L E.gable of house about 1 mi.in azimuth 136°54'30"; C/L W.gable farmhouse about 0.1 mi.in azimuth 294°18'34".
 X-1,979,517.65 Y-406,313.56 El. 1196.277 ft.

- 7-H-28 TT 1938; Kingfisher Co., 9.0 mi.W.of Hennessey; 30.0 ft.S. & 624.0 ft.W.of approx.N $\frac{1}{2}$ cor.sec.21,T19N,R8W; 2.0 ft.S.of S.R/W fence. OSCC Marker. C/L chimney on 2 story house about 1.5 mi.in azimuth 05° 55'19"; C/L W.gable on 1 story house about 0.25 mi.in azimuth 255°19'19".
 X-1,981,925.33 Y-406,269.16 El. 1203.978 ft.
- 7-H-29 TT 1938; Kingfisher Co., 7.5 mi.W.of Hennessey; 32.0 ft.N. & 103.0 ft.W.of approx.SE.cor.sec.15,T19N,R8W; 1.5 ft.N.of N.R/W fence; 10.0 ft.W.& 2.5 ft.N.of farm phone pole. OSCC Marker. C/L chimney on house about 0.5 mi.in azimuth 184°54'55".
 X-1,990,282.01 Y-406,396.59 El. 1211.440 ft.
- 7-H-30 TT 1938; Kingfisher Co., 6.0 mi.W.of Hennessey; 32.0 ft.S. & 207.0 ft.N.of approx.N $\frac{1}{2}$ cor.sec.24,T19N,R8W; 2.0 ft.N.of S.R/W fence; 2.0 ft.E.of farm phone pole. OSCC Marker. C/L E.gable on 1 story farm house about 0.25 mi.in azimuth 76°18'28"; C/L E.gable on 2 story farm house about 0.25 mi.in azimuth 94°43'53".
 X-1,998,134.07 Y-406,424.10 El. 1204.148 ft.
- 7-H-31 TT 1938; Kingfisher Co., 4.75 mi.W.of Hennessey; 32.0 ft.N. & 667.0 ft.E.of approx.S $\frac{1}{2}$ cor.sec.18,T19N,R7W; 2.0 ft.N.of N.R/W fence line; 231.0 ft.W.& 118.0 ft.S.of log cabin. OSCC Marker.
 X-2,004,246.66 Y-406,494.50 El. 1199.839 ft.
- 7-H-32 TT 1938; Kingfisher Co., 4.25 mi.W.of Hennessey; 32.0 ft.S. & 1563.0 ft.E.of approx.NW.cor.sec.20,T19N,R7W; atop bank of 8 ft.cut; 2.0 ft.S.of S.R/W fence; 386.0 ft.W.of NW.cor.of filling sta. OSCC Marker.
 X-2,007,486.91 Y-406,489.90 El. 1217.864 ft.
- 7-H-33 TT 1938; Kingfisher Co., 3.5 mi.W.of Hennessey; 30.0 ft. N. & 28.0 ft. W. of approx.SE cor. sec. 17, T19N.R7W; diagonally opposite schoolhouse; 6.0 ft.N.& 3.0 ft.W.of phone pole fence cor.post. 3.0 ft. W.of row of large locust trees to N. OSCC Marker. C/L N.gable on tin barn about 0.25 mi.in azimuth 17°11'43"; C/L S.edge, grain elevator about 5 mi.in azimuth 216°58'23"; C/L Hennessey WT in azimuth 281°11'38".
 X-2,011,467.96 Y-406,617.19 El. 1171.606 ft.
- 7-H-34 TT 1938; Kingfisher Co., 2.5 mi.W.of Hennessey; 33.0 ft.S. & 368.0 ft.E.of approx.NW.cor.sec.22,T19N,R7W; 2.0 ft.S.of S.R/W fence; 145.0 ft.E.of drive to negro shanty; 103.5 ft.E.of Long Bell Lumber Co. sign; 2.0 ft.N.of phone pole. OSCC Marker. C/L E.edge elevator about 5 mi.in azimuth 208°53'05"; C/L Hennessey W.T.in azimuth 285°27'08".
 X-2,017,148.08 Y-406,512.55 El. 1125.514 ft.
- 7-H-35 TT 1938; Kingfisher Co., 1.5 mi.W.of Hennessey; 66.0 ft.S. & 274.0 ft.W.of approx.NE.cor.sec.22,T19N,R7W; 100.0 ft.S.& 234.0 ft.W. of W.end of Turkey Creek bridge; 2.0 ft.W.of cross fence to S., 133.0 ft.S.of dairy barn N.of road. OSCC Marker. C/L farmhouse about 1.5 mi. in azimuth 27°03'35"; C/L SW.cor.chimney on house about 0.01 mi.in azimuth 128°33'00".
 X-2,021,801.99 Y-406,473.19 El. 1086.414 ft.
- 7-H-36 TT 1938; Kingfisher Co., 1.0 mi.W.of Hennessey; 34.0 ft.N. & 583.0 ft.W.of approx.S $\frac{1}{2}$ cor.sec.14,T19N,R7W; 1.0 ft.S.of N.R/W fence. OSCC Marker. C/L N.gable on tin roof barn about 0.25 mi.in azimuth 66° 00'15"; C/L E.gable on farmhouse about 0.25 mi.in azimuth 163°40'20"; C/L Hennessey W.T.in azimuth 301°17'09".
 X-2,024,119.57 Y-406,570.72 El. 1116.415 ft.
- 7-H-37 TT 1938; Kingfisher Co., In NW.part of Hennessey; 30.0 ft. S.& 1060.0 ft.E.of approx.NW.cor.sec.24,T19N,R7W; 1.0 ft.N.of S.R/W fence; 16.0 ft.E.of 5" phone pole. OSCC Marker. C/L E.gable on house about 3 mi.in azimuth 112°05'37"; C/L W.gable on barn about 0.15 mi.in azimuth 259°25'17".
 X-2,028,402.10 Y-406,483.06 El. 1165.886 ft.
- 15-B-3 TT 1934; Junction Station. See Traverse 15-B.

(Note: Balance of 7-H line will come in North Central Publication).

Traverse 8-A; Alfalfa, Grant & Garfield Counties
 Sand Hill Tri. Sta. to 15-F-1 TT 1939
 North Projection

Sand Hill Tri.Sta., (Alfalfa Co., W.Bowie, 1902) - About 9.5 mi.S.& 4.5 mi.W.of Manchester, in approx.SW $\frac{1}{4}$ sec.25,T28N,R9W; on land belonging to John Blowey (1902) highest point near N.edge of what are known as Sand Hills. Underground mark is point of 60-D nail, projecting $\frac{1}{4}$ in. in top piece of 4 in.terra-cotta pipe 2.0 ft.long filled with concrete; top 2.5 ft.below surface. Over this is 6 in.of sand. Surface mark is same except set flush with surface and surrounded with concrete.

X-1,965,139.11 Y-682,170.33 El. 1451.511 ft.

Reference mark is same as surface mark; in fence cor.S.of $\frac{1}{4}$ sec.stone common to sec's. 36 & 25; 536.0 m. (1,758.5 ft.) from sta.in azimuth 352°51'21"; $\frac{1}{4}$ sec.cor. 525.75 m. (1,724.9 ft.) from sta.in azimuth 352°23'34".

8-A-1 TT 1934; Grant Co., 2.0 mi.N.& 5.0 mi.W.of Sand Creek; 31.5 ft.S.& 10.8 ft.W.of approx.N $\frac{1}{4}$ cor.sec.31,T28N,R8W; 1.5 ft.N.of S.R/W fence. USC&GS & State Marker. C/L Manchester W.T.in azimuth 203°06'59"; C/L chimney on Pleasant Valley School in azimuth 213°51'49"; C/L Wakita W.T.about 9.9 mi.in azimuth 264°42'45".

X-1,970,588.14 Y-680,453.19 El. 1351.586 ft.

8-A-2 TT 1934; Grant Co., 1.5 mi.N.& 4.0 mi.W.of Sand Creek; 56.0 ft.S.& 285.5 ft.E.of approx.W $\frac{1}{4}$ cor.sec.32,T28N,R8W; 2.0 ft.W.of N-S fence; 56.0 ft.S.of E-W fence; 24.0 ft.NE.of NE.cor.cemetery. USC&GS & State Marker. C/L N.chimney on Robt.Gillespie house about 0.2 mi.in azimuth 135°32'12"; C/L Manchester W.T.about 9.5 mi.in azimuth 199°10'27"; C/L Wakita W.T.about 9.6 mi.in azimuth 261°25'52".

X-1,973,250.04 Y-677,794.42 El. 1338.950 ft.

8-A-3 TT 1934; Grant Co., 1.5 mi.N.& 3.0 mi.W.of Sand Creek; 27.0 ft.N.& 721.0 ft.E.of approx.SW.cor.sec.33,T28N,R8W; 3.0 ft.S.of NE.R/W fence. USC&GS & State Marker. C/L Wakita W.T.about 8.2 mi.in azimuth 257°06'20"; C/L W.chimney on Sand Creek Christian Church about 3.1 mi. in azimuth 288°54'39"; C/L N.chimney on J.J.Bartlett house about 0.62 mi.in azimuth 277°55'44".

X-1,979,204.99 Y-675,235.08 El. 1247.073 ft.

8-A-4 TT 1934; Grant Co., 2.0 mi.W.& 1.7 mi.N.of Sand Creek; 998.5 ft.N.& 27.5 ft.E.of approx.W $\frac{1}{4}$ cor.sec.3,T27N,R8W; on R/W fence line. USC&GS & State Marker. C/L E.chimney on W.J.Glicks house about 2.5 mi. in azimuth 229°03'44"; C/L belfry on Fairview School about 2 mi.in azimuth 262°10'47"; C/L chimney on Glenn Biby's house about 0.9 mi.in azimuth 341°29'30".

X-1,983,789.15 Y-673,552.24 El. 1178.373 ft.

8-A-5 TT 1934; Grant Co., Approx. 2.0 mi.W.of Sand Creek; 1151.0 ft.S.& 205.25 ft.E.of approx.NW.cor.sec.10,T27N,R8W; 1.0 ft.S.of E-W fence on land of Glenn Biby. USC&GS & State Marker. C/L N.chimney on Mary Cobbs House about 1.2 mi.in azimuth 104°16'58"; C/L S.gable on P.D. Bawlens house about 0.2 mi.in azimuth 140°42'33"; C/L chimney on Glenn Biby's house about 0.6 mi.in azimuth 220°19'54".

X-1,983,950.28 Y-668,378.32 El. 1167.587 ft.

8-A-6 TT 1934; Grant Co., 1.0 mi.S.& 2.0 mi.W.of Sand Creek; 18.5 ft.S.& 153.0 ft.E.of approx.NW.cor.sec.15,T27N,R8W; 2.0 ft.N.of S.R/W fence. USC&GS & State Marker. C/L chimney on Sand Creek Christian Church in azimuth 239°52'54"; C/L N.chimney on C.A.Thomas house about 1.1 mi. in azimuth 303°34'13".

X-1,983,908.73 Y-664,581.36 El. 1155.798 ft.

8-A-7 TT 1934; Grant Co., 1.5 mi.S.& 1.0 mi.W.of Sand Creek; 156.0 ft.S.& 34.0 ft.W.of approx.E $\frac{1}{4}$ sec.15,T27N,R8W; 3.0 ft.E.of W.R/W fence. USC&GS & State Marker. C/L chimney on Sand Creek Christian Church about 1.8 mi.in azimuth 212°20'54"; C/L chimney on Geo.Hart's house about 1.2 mi.in azimuth 279°16'00"; C/L chimney on Valley School about 1.1 mi.in azimuth 312°00'27".

- X-1,988,982.61 Y-661,822.54 El. 1130.203 ft.
8-A-8 TT 1934; Grant Co., 2.5 mi.S.& 1.0 mi.W.of Sand Creek; 21.0 ft.N.& 35.0 ft.W.of approx.E $\frac{1}{4}$ cor.sec.22,T27N,R8W; 5.0 ft.E.of W.R/W fence; 21.0 ft.N.of E-W fence. USC&GS & State Marker. C/L chimney on J. T.Stewart house about 1.25 mi.in azimuth 181°34'00"; C/L N.chimney on D.A.Yarnell's house about 0.5 mi.in azimuth 228°56'17"; C/L chimney on W.A. Ayre's house about 1.1 mi.in azimuth 251°58'54".
- X-1,988,954.12 Y-656,705.36 El. 1124.783 ft.
8-A-8-A TT 1934; Grant Co., approx. 14.0 mi.S.& 0.25 mi.W.of Manchester; 1652.0 ft.W.& 1575.0 ft.N.of approx.SE.cor.sec.27,T27N,R8W; is a 1 $\frac{1}{2}$ " iron pipe 20" long projecting 3" above ground.
- X-1,987,308.70 Y-650,346.23
8-A-9 TT 1934; Grant Co., 4.0 mi.S.& 1.3 mi.W.of Sand Creek; 28.5 ft.S.& 1535.0 ft.W.of approx.NE.cor.sec.34,T27N,R8W; 2.0 ft.N.of S.R/W fence; 1505.0 ft.W.of N-S fence. USC&GS & State Marker. C/L chimney on M.Albright house about 0.2 mi.in azimuth 203°12'10"; C/L Wakita W.T. about 9.0 mi.in azimuth 224°30'29"; C/L chimney on Hawley School about 1.8 mi.in azimuth 307°27'53".
- X-1,987,425.32 Y-648,721.49 El. 1167.583 ft.
8-A-10 TT 1934; Grant Co., 1.0 mi.N.of Hawley; 26.5 ft.S.& 540.0 ft.W.of approx.NE.cor.sec.2,T26N,R8W; 2.0 ft.N.of S.R/W fence. USC&GS & State Marker. C/L W.chimney on C.A.Moore house about 1.1 mi.in azimuth 25°12'04"; C/L N.chimney on Geo.Hoegert's house about 1 mi.in azimuth 87°30'16"; C/L W.chimney on Howard Emery house about 1.4 mi.in azimuth 133°13'47".
- X-1,993,718.37 Y-643,431.88 El. 1094.794 ft.
8-A-11 TT 1934; Grant Co., 0.75 mi.W.of Hawley; 25.0 ft.S.& 1300.0 ft.E.of approx.NW.cor.sec.11,T26N,R8W; 6.0 ft.N.of S.R/W fence. USC&GS & State Marker. C/L chimney on W.W.Carrier house about 0.37 mi.in azimuth 14°17'54"; C/L N.chimney on Geo.Hoegert's house about 1.1 mi.in azimuth 170°16'40"; C/L chimney on Fred Albright house about 0.9 mi.in azimuth 232°26'05".
- X-1,990,316.88 Y-638,134.30 El. 1099.080 ft.
8-A-12 TT 1934; Grant Co., 0.75 mi.W.& 1.0 mi.S.of Hawley; 32.7 ft.N.& 932.0 ft.W.of approx.S $\frac{1}{4}$ cor.sec.11,T26N,R8W; 3.0 ft.S.of N.R/W fence. USC&GS & State Marker. C/L chimney on Wm.Titus house about 1.1 mi.in azimuth 19°55'28"; C/L chimney on C.A.Moore's house about 1 mi. in azimuth 185°45'50"; C/L chimney on F.L.Williams house about 1.0 mi. in azimuth 297°28'41".
- X-1,990,749.35 Y-632,911.90 El. 1104.457 ft.
8-A-13 TT 1934; Grant Co., 0.75 mi.W.& 2.0 mi.S.of Hawley; 30.5 ft.S.& 861.0 ft.W.of approx.NE.cor.sec.22,T26N,R8W; 2.0 ft.N.of S.R/W fence line. USC&GS & State Marker. C/L chimney on W.Titus house about 1.1 mi.in azimuth 225°42'55"; C/L chimney on Harvey Venn's house about 1.1 mi.in azimuth 327°48'43"; C/L cupola on P.N.Combs barn about 1.9 mi. in azimuth 28°23'38".
- X-1,988,192.58 Y-627,575.20 El. 1097.955 ft.
8-A-13-A TT 1934; Grant Co., in approx.NE $\frac{1}{2}$ sec.22,T26N,R8W; on top of highest hillock on land of Harvey Venn; is a 3/4" iron pipe 36" long projecting 4" above ground. 3.0 mi.N.of Nash.
- X-1,987,612.08 Y-626,171.36
8-A-14 TT 1934; Grant Co., 2.5 mi.N.of Nash; 815.0 ft.S.& 40.3 ft. E.of approx.N $\frac{1}{2}$ cor.sec.27,T26N,R8W; 22.0 ft.W.of N-S fence in hwy. USC&GS & State Marker. C/L chimney on W.E.Hayes house about 1.0 mi.in azimuth 16°09'08"; C/L cupola on P.N.Combs barn about 0.2 mi.in azimuth 46°32'05"; C/L chimney on Frazer Estate house about 1.1 mi.in azimuth 322°36'43".
- X-1,986,450.97 Y-621,518.70 El. 1086.850 ft.
8-A-15 TT 1934; Grant Co., 1.5 mi.N.of Nash; 265.0 ft.S.& 45.5 ft. W.of approx.N $\frac{1}{2}$ cor.sec.34,T26N,R8W; 20.0 ft.N.of E-W fence. USC&GS & State Marker. C/L cupola on P.N.Combs barn about 0.9 mi.in azimuth 116°27'45"; C/L chimney on Frazer Estate house about 0.9 mi.in azimuth 242°

- 33'33"; C/L N.chimney on J.D.Shutts house about 1.5 mi.in azimuth 341° 26'46".
 X-1,986,365.99 Y-617,017.47 El. 1108.978 ft.
 8-A-16 TT 1934; Grant Co., In Nash; 20.5 ft.S.& 22.5 ft.E.of inter-
 section Main St.& Hazel Ave., 4.0 ft.N.& 5.0 ft.W.of conc.sidewalk by
 hwy. USC&GS & State Marker. C/L belfry on First Baptist Church in Nash
 about 0.5 mi.in azimuth 02°28'30"; C/L chimney on Allis Huyendull's
 house about 0.62 mi.in azimuth 175°39'57"; C/L N.chimney on J.D.Shutt
 house about 1.1 mi.in azimuth 249°32'39".
 X-1,985,285.22 Y-608,030.32 El. 1111.026 ft.
 8-A-17 TT 1934; Grant Co., In Nash; 188.5 ft.S.& 23.0 ft.W.of in-
 tersection Main St.& Pine St. USC&GS & State Marker. C/L belfry on First
 Baptist Church in Nash about 0.25 mi.in azimuth 176°32'25"; C/L E.chim-
 ney on W.M.Dunham house about 1.1 mi.in azimuth 246°34'24"; C/L N.chim-
 ney on Archie Wilson house about 1.1 mi.in azimuth 342°33'42".
 X-1,985,230.68 Y-604,752.21 El. 1135.129 ft.
 8-A-18 TT 1934; Grant Co., approx. 0.5 mi.S.of S.edge of Nash;
 321.0 ft.E.& 21.0 ft.S.of approx.N $\frac{1}{2}$ cor.sec.15,T25N,R8W; 2.5 ft.N.of S.
 R/W fence. USC&GS & State Marker. C/L belfry on Nash First Baptist
 Church about 1.1 mi.in azimuth 160°28'11"; C/L N.chimney on J.D.Shutt
 house about 1.1 mi.in azimuth 194°51'45"; C/L chimney on L.C.Shanes
 house about 1.5 mi.in azimuth 347°51'02".
 X-1,986,746.48 Y-601,176.66 El. 1136.485 ft.
 8-A-19- TT 1934; Grant Co., 0.5 mi.E.& 1.5 mi.S.of Nash; 916.0 ft.
 S.& 25.5 ft.W.of approx.NE.cor.sec.22,T25N,R8W; 2.0 ft.E.of W.R/W fence.
 USC&GS & State Marker. C/L chimney on L.C.Shanes house about 0.5 mi.in
 azimuth 05°09'42"; C/L chimney on house about 1.1 mi.in azimuth 44°47'
 55"; C/L Main chimney on Nash High School in azimuth 155°27'31".
 X-1,989,070.73 Y-594,985.28 El. 1150.068 ft.
 8-A-19-A TT 1934; Grant Co., 0.25 mi.E.& 2.5 mi.S.of Nash; 1622.0
 ft.N.& approx. 851.0 ft.W.of approx.E $\frac{1}{2}$ cor.sec.27,T25N,R8W; is an iron
 bar 20 in.long by 1 in. in diam.
 X-1,988,184.88 Y-589,606.21
 8-A-20 TT 1934; Grant Co., 3.0 mi.S.& 0.5 mi.E.of Nash; 148.0 ft.
 N.& 162.0 ft.E.of approx. W $\frac{1}{2}$ cor.sec.26,T25N,R8W; 2.0 ft.S.of E-W fence
 on grounds of Star School. USC&GS & State Marker. C/L chimney on L.E.
 Renfrow house about 1.1 mi.in azimuth 120°49'40"; C/L chimney on Jos.
 Secord house about 1.0 mi.in azimuth 261°25'40"; C/L W.chimney on Ezra
 Crouse house about 0.37 mi.in azimuth 359°09'46".
 X-1,989,268.87 Y-588,132.29 El. 1192.731 ft.
 8-A-21 TT 1934; Grant Co., 4.5 mi.S.& 0.5 mi.E.of Nash; 27.5 ft.N.
 & 245.0 ft.W.of approx.SE.cor.sec.34,T25N,R8W; 1.5 ft.S.of N.R/W fence.
 USC&GS & State Marker. C/L chimney on Emmet Bowen house about 1.2 mi.in
 azimuth 01°03'52"; C/L chimney on J.Secord house about 1.2 mi.in azimuth
 211°24'16"; C/L chimney on O.B.Bengston house about 0.8 mi.in azimuth
 337°14'43".
 X-1,988,774.66 Y-580,084.14 El. 1221.453 ft.
 8-A-22 TT 1934; Garfield Co., 5.5 mi.S.of Nash; 29.0 ft.N.& 1405.0
 ft.W.of approx.SE.cor.sec.3,T24N,R8W; 2.0 ft.S.of N.R/W fence. USC&GS &
 State Marker. C/L chimney on Emmet Bowen house about 1.2 mi.in azimuth
 04°48'45"; C/L chimney on O.B.Bengston house about 0.5 mi.in azimuth
 216°05'14"; C/L S.chimney on G.Nichols house about 2.0 mi.in azimuth
 269°05'30".
 X-1,989,040.02 Y-574,918.84 El. 1241.176 ft.
 8-A-23 TT 1934; Garfield Co., 6.5 mi.S.of Nash; 24.9 ft.S.& 644.0
 ft.W.of approx.N $\frac{1}{2}$ cor.sec.15,T24N,R8W; 2.6 ft.N.of S.R/W fence. USC&GS
 & State Marker. C/L chimney on Long's house about 1.0 mi.in azimuth 17°
 28'34"; C/L chimney on house about 1.25 mi.in azimuth 205°36'19";
 C/L chimney on A.W.Currier house about 3.5 mi.in azimuth 316°19'14".
 X-1,987,184.12 Y-569,566.91 El. 1291.425 ft.
 8-A-24 TT 1934; Garfield Co., approx. 7.75 mi.S.& 0.5 mi.W.of Nash;

1693.5 ft.S.& 2863.0 ft.W.of approx.NE.cor.sec.21,T24N,R8W. USC&GS & State Marker. C/L chimney on A.S.McCoy house about 0.75 mi.in azimuth 13°59'56"; C/L chimney on A.Boehm house about 1.25 mi.in azimuth 208°55'12"; C/L chimney on A.W.Currier house about 2.5 mi.in azimuth 286°45'26".

X-1,984,898.38 Y-562,751.74 El. 1387.652 ft.

McCoy Tri.Sta. Junction Station. See Traverse 7-B.

8-A-25 TT 1939; Garfield Co., 9.4 mi.N.& 10.0 mi.W.of Enid; 623.0 ft.S.& 32.0 ft.W.of approx.E $\frac{1}{4}$ cor.sec.28,T24N,R8W; 2.0 ft.E.of W.R/W fence. OSCC Marker. C/L W.chimney on unpainted cottage about 0.75 mi.in azimuth 118°33'56"; C/L NW.peak of roof on elevator in Hillsdale about 4.0 mi.in azimuth 232°12'21"; C/L ventilator on barn about 3.0 mi.in azimuth 359°11'36".

X-1,985,172.71 Y-555,782.89 El. 1386.889 ft.

8-A-26 TT 1939; Garfield Co., 7.75 mi.N.& 10.0 mi.W.of Enid; 1610.0 ft.S.& 25.0 ft.W.of approx.NE.cor.sec.4,T23N,R8W; 2.0 ft.E.of W.R/W fence. OSCC Marker. C/L N.chimney on 2 story house about 1.0 mi.in azimuth 62°13'33"; C/L chimney on house about 1.0 mi.in azimuth 183°35'02"; C/L NE.peak of roof on elevator in Carrier about 2.0 mi.in azimuth 317°07'11".

X-1,985,167.55 Y-546,958.10 El. 1368.300 ft.

8-A-27 TT 1939; Garfield Co., 6.8 mi.N.& 10.0 mi.W.of Enid; 970.0 ft.S.& 12.0 ft.E.of approx.NW.cor.sec.10,T23N,R8W; 12.0 ft.E.of C/L sec. line; 9.0 ft.N.of C/L Frisco RR; 11.0 ft.S.of crossing sign. OSCC Marker. C/L flagpole on elevator about 5.0 mi.in azimuth 117°19'09"; C/L N.chimney on 2 story house about 0.37 mi.in azimuth 246°06'19"; C/L ventilator on barn about 1.0 mi.in azimuth 357°26'34".

X-1,985,185.88 Y-542,182.32 El. 1356.552 ft.

8-A-28 TT 1939; Garfield Co., 6.25 mi.N.& 9.0 mi.W.of Enid; 1630.0 ft.N.& 24.0 ft.E.of approx.SW.cor.sec.11,T23N,R8W; 24.0 ft.E.of C/L of N-S sec.line; 21.0 ft.S.of C/L Frisco RR. OSCC Marker. C/L chimney on 2 story house about 1.5 mi.in azimuth 44°07'39"; C/L chimney on cottage about 1.0 mi.in azimuth 176°38'51"; C/L chimney on school in Carrier in azimuth 306°50'14".

X-1,990,466.38 Y-539,435.20 El. 1367.817 ft.

8-F-42 TT 1938; Junction Station. See Traverse 8-F. 8-A Traverse ends here and is resumed at 8-F-31 TT 1938.

8-A-29 TT 1934; Major Co., 5.0 mi.N.of Ringwood; 35.0 ft.E.& 40.0 ft.S.of approx.NW.cor.sec.26,T23N,R10W; 92.0 ft.N.of N.range of Church on W.side of road; 2.0 ft.W.of E.R/W fence. OSCC Marker. C/L N.chimney on 2 story house about 0.5 mi.in azimuth 106°29'43"; C/L chimney on stucco cottage about 1.0 mi.in azimuth 216°51'35"; C/L N.chimney on 2 story house about 0.5 mi.in azimuth 351°53'10".

X-1,927,346.06 Y-527,450.28 El. 1394.098 ft.

8-A-30 TT 1939; Major Co., 2.4 mi.N.of Ringwood; 234.0 ft.S.& 15.0 ft.W.of approx.W $\frac{1}{4}$ cor.sec.3,T22N,R10W; about 15.0 ft.W.of C/L sec.line on top of prominent hill & approx. 100.0 ft.E.of C/L OK.Hwy.#58 which goes around hill to W. OSCC Marker. C/L W.chimney on 2 story house about 0.75 mi.in azimuth 145°22'14"; C/L W.chimney on 2 story house about 0.75 mi.in azimuth 233°54'19"; C/L ventilator on elevator in Ringwood about 2.0 mi.in azimuth 352°36'27".

X-1,927,220.50 Y-514,154.93 El. 1348.816 ft.

8-A-31 TT 1939; Major Co., In Ringwood; 27.0 ft.S.& 18.0 ft.W.of approx.NE.cor.sec.22,T22N,R10W; OSCC cap set in N.end W.hdw. 3x 2x 30 ft.conc.box culvert.

X-1,927,134.20 Y-501,159.20 El. 1307.667 ft.

8-A-32 TT 1939; Major Co., 1.25 mi.S.of Ringwood; 481.0 ft.S.& 35.0 ft.E.of approx.NW.cor.sec.26,T22N,R10W; top of 15.0' cut bank; 3.0 ft.E. of E.R/W fence. OSCC Marker. C/L chimney house 2.5 mi.in azimuth 22°57'13"; C/L N.chimney cottage about 0.5 mi.in azimuth 94°33'20"; C/L chimney on 2 story house about 0.5 mi.in azimuth 177°05'20".

X-1,927,163.38 Y-495,417.64 El. 1305.865 ft.

15-F-1 TT 1939; Junction Station. See Traverse 15-F.

Traverse 8-B; Grant & Alfalfa Counties
Renfrow Tri. Sta. to Sand Hills Tri. Sta.
North Projection

Renfrow Tri.Sta.(Grant Co., O.W.Ferguson, 1902) - Approx. 2.75 mi. W.& 1.5 mi.S.of grain elevator in Renfrow; in approx.SE.cor.NW.sec.14, T28N,R5W; on land belonging to Tony Tucker (1902); 91.4 m. (299.9 ft.) N.of E-W fence & 82.78 m. (271.6 ft.) W.of N-S fence. Underground mark is point of 60-D nail, projecting $\frac{1}{4}$ " in top of 4" terra-cotta pipe 2.0 ft.long filled with conc.with top 2.5 ft.below surface. Over this is 6" of sand. Surface mark is same except set flush with surface and surrounded with conc.

X-2,086,008.18 Y-693,886.80 El. 1225.906 ft.
Reference mark is same as surface mark, 0.6 m. (2.0 ft.) W.of N-S fence and 0.77 m. (2.5 ft.) N.of E-W fence; 121.77 m. (399.51 ft.) from sta. in azimuth 317°20'52".

Other distances & azimuths are as follows: SE.cor.sec.14, 1,257.7 m. (4,126.0 ft.) in azimuth 315°03'01"; C/L chimney on Mr. Zimmerman's house about 0.62 mi.in azimuth 254°38'35". C/L chimney on Elmer Behann house about 0.37 mi.in azimuth 286°38'23"; C/L belfry on Richland school house about 0.62 mi.in azimuth 318°06'42".

8-B-1 TT 1934; Grant Co., 5.5 mi.N.& 1.0 mi.E.of Medford; 2.0 ft. N.& 36.5 ft.W.of approx.E $\frac{1}{2}$ cor.sec.22,T28N,R5W; 2.0 ft.N.of E-W fence; 19.2 ft.W.of N-S fence. USC&GS & State Marker. C/L chimney on Jos. Kretschmars house about 1.3 mi.in azimuth 50°27'36"; C/L belfry on Richland School about 1.2 mi.in azimuth 243°51'00"; C/L chimney on Ed Zeman house about 1.0 mi.in azimuth 357°56'41".

X-2,083,660.95 Y-688,296.79 El. 1176.700 ft.

8-B-2 TT 1934; Grant Co., 5.0 mi.N.& 0.5 mi.E.of Medford; 26.1 ft. N.& 505.2 ft.W.of approx.S $\frac{1}{2}$ cor.sec.22,T28N,R5W; 0.6 ft.N.of E-W fence & 505.2 ft.W.of N-S fence. USC&GS & State Marker. C/L Medford Muni.W.T. in azimuth 05°46'13"; C/L chimney on Pleasant View School in azimuth 124°47'11"; C/L chimney on John Pictricks house about 1.0 mi.in azimuth 212°43'39".

X-2,080,572.12 Y-685,672.76 El. 1170.330 ft.

8-B-3 TT 1934; Grant Co., 5.0 mi.N.& 1.5 mi.W.of Medford; 38.1 ft. S.& 1.7 ft.W.of approx.N $\frac{1}{2}$ cor.sec.29,T28N,R5W; 1.7 ft.W.of N-S fence. USC&GS & State Marker. C/L chimney on Prairie View School about 2.5 mi. in azimuth 113°24'21"; C/L chimney on Pleasant View School in azimuth 206°35'07"; C/L Medford Muni.W.T. in azimuth 344°58'18".

X-2,070,488.78 Y-685,579.49 El. 1136.439 ft.

8-B-4 TT 1934; Grant Co., 7.5 mi.E.of Wakita; 5.0 mi.N.& 3.0 mi.W. of Medford; in approx.NW.cor.NW.sec.30,T28N,R5W; 37.2 ft.S.& 35.9 ft.E. of intersection of sec.lines on land of V.Melka; 9.0 ft.E.of N-S fence; 8.0 ft.S.of E-W fence; 60-D nail in conc.post. C/L chimney on Prairie View schoolhouse about 1.8 mi.in azimuth 137°26'16"; C/L chimney on Pleasant View School about 1.8 mi.in azimuth 242°03'10"; C/L chimney on A.F.Bluebaughs house about 1.3 mi.in azimuth 348°56'13".

X-2,062,966.20 Y-685,457.04 El. 1119.147 ft.

8-B-4-A TT 1934; Grant Co., 6.5 mi.E.of Wakita; 3344.0 ft.W.& 49.0 ft.S.of approx.NE.cor.sec.25,T28N,R6W; is an iron peg 3/4" x 20" projecting 2" above ground.

X-2,059,586.75 Y-685,466.27

8-B-5 TT 1934; Grant Co., 5.0 mi.E.of Wakita; 31.0 ft.N.& 130.1 ft. W.of approx.SE.cor.sec.22,T28N,R6W; USC&GS & State Marker. C/L Wakita Muni.W.T.in azimuth 89°24'26"; C/L chimney on Mrs.V.Melka's house in azimuth 241°06'09"; C/L Medford Muni.W.T.in azimuth 316°57'04".

X-2,052,265.99 Y-685,653.91 El. 1141.601 ft.

8-B-6 TT 1934; Grant Co., 3.5 mi.E.of Wakita; 29.0 ft.S.& 83.0 ft. E.of approx.NW.cor.sec.28,T28N,R6W; 3.1 ft.N.of E-W fence & 8.0 ft.E.of N-S fence. USC&GS & State Marker. C/L Wakita Muni.W.T.about 3.5 mi.in azimuth 89°05'52"; C/L chimney on Prairie View schoolhouse about 1.0 mi.

in azimuth 179°56'30"; C/L belfry on Clyde Catholic Church about 4.0 mi. in azimuth 320°49'59".

X-2,041,931.11 Y-685,645.30 El. 1129.302 ft.

8-B-7 TT 1934; Grant Co., 2.5 mi.E.of Wakita; 35.0 ft.N.& 40.6 ft. E.of approx.SW.cor.sec.20,T28N,R6W; 2.5 ft.S.of E-W fence. USC&GS & State Marker. C/L Wakita Muni.W.T.about 2.5 mi.in azimuth 88°20'44"; C/L chimney on W.W.Dial house about 3.25 mi.in azimuth 269°16'14"; C/L belfry on Catholic Church about 5.2 mi.in azimuth 309°23'53".

X-2,036,586.72 Y-685,733.51 El. 1135.174 ft.

8-B-8 TT 1934; Grant Co., 1.5 mi.E.of Wakita; 30.1 ft.S.& 2.3 ft. W.of approx.NE.cor.sec.25,T28N,R7W; is a 60-D nail set in conc.post. C/L chimney on M.Brackett house about 2.2 mi.in azimuth 54°42'59"; C/L chimney on Will Bilderback house about 1.8 mi.in azimuth 121°40'38"; C/L chimney on John Digar house about 1.5 mi.in azimuth 188°19'07".

X-2,031,013.43 Y-685,582.71 El. 1134.078 ft.

8-B-8-A TT 1934; Grant Co., 0.75 mi.E.of Wakita; 1300.0 ft.E.& 29.0 ft.N.of approx.SW.cor.sec.24,T28N,R7W; 4.0 ft.S.of E-W fence; is a 3/4" x 18" iron bar projecting 2" above ground.

X-2,026,967.95 Y-685,624.89

8-B-9 TT 1934; Grant Co., In Wakita; 34.9 ft.S.& 165.0 ft.E.of intersection of Main St.& E.Ave., 137.1 ft.E.of fire plug; 4.4 ft.N.of sidewalk. USC&GS & State Marker. C/L finial on top of Wakita Muni.W.T. about 0.08 mi.in azimuth 63°53'19"; C/L Manchester Muni.W.T.in azimuth 139°53'57"; C/L chimney on Bilderback house about 1.0 mi.in azimuth 217°44'17".

X-2,023,836.72 Y-685,549.30 El. 1178.920 ft.

8-B-10 TT 1934; Grant Co., In Wakita; 29.0 ft.N.& 163.6 ft.W.of intersection Main St.& "A" Ave., 191.6 ft.W.of fire hydrant. USC&GS & State Marker. C/L Manchester Muni.W.T.in azimuth 141°23'16"; C/L Wakita Muni.W.T.about 0.22 mi.in azimuth 279°56'19"; C/L belfry on Wakita Methodist Church in azimuth 314°58'52".

X-2,022,044.76 Y-685,598.46 El. 1173.268 ft.

8-B-11 TT 1934; Grant Co., 1.5 mi.W.of Wakita; 42.6 ft.S.& 509.2 ft.E.of approx.NW.cor.sec.27,T28N,R7W; 1.9 ft.N.of E-W fence. USC&GS & State Marker. C/L chimney on C.D.Williams house in azimuth 63°52'20"; C/L Manchester Muni.W.T.in azimuth 147°14'57"; C/L chimney on E.R. Hoffman house in azimuth 331°53'13".

X-2,015,884.48 Y-685,477.23 El. 1148.217 ft.

8-B-12 TT 1934; Grant Co., 2.5 mi.W.of Wakita; 45.3 ft.N.& 35.9 ft. W.of approx.SE.cor.sec.20,T28N,R7W; 3.2 ft.N.of E-W fence; 2.9 ft.W.of N-S fence on land of Joe Cummings. USC&GS & State Marker. C/L chimney on Guy Miller house about 1.3 mi.in azimuth 68°32'06"; C/L chimney on Grand Valley schoolhouse about 1.0 mi.in azimuth 180°35'41"; C/L belfry on Wakita Methodist Church about 2.5 mi.in azimuth 272°18'28".

X-2,010,179.91 Y-685,623.03 El. 1138.982 ft.

8-B-13 TT 1934; Grant Co., 3.5 mi.W.of Wakita; 46.0 ft.S.& 104.0 ft.E.of approx.NW.cor.sec.29,T28N,R7W; 27.0 ft.E.of N-S fence. USC&GS & State Marker. C/L chimney on J.P.Tuttle house about 1.8 mi.in azimuth 42°13'19"; C/L E.chimney on J.W.Stewart house about 1.3 mi.in azimuth 150°35'06"; C/L chimney on Archie Seckler house about 1.6 mi.in azimuth 300°58'16".

X-2,005,048.81 Y-685,621.93 El. 1132.834 ft.

8-B-14 TT 1934; Grant Co., 4.5 mi.W.of Wakita; 40.2 ft.N.& 37.8 ft. E.of approx.SW.cor.sec.19,T28N,R7W; 9.0 ft.E.of N-S fence; 1.0 ft.S.of E-W fence. USC&GS & State Marker. C/L belfry on Fairview Church about 4.0 mi.in azimuth 28°27'56"; C/L belfry on Catholic Church about 3.6 mi.in azimuth 134°56'39"; C/L riser on Wakita Muni.W.T.about 4.5 mi.in azimuth 271°05'52".

X-1,999,731.57 Y-685,808.24 El. 1139.099 ft.

8-B-15 TT 1934; Grant Co., 5.5 mi.W.of Wakita; 41.0 ft.S.& 113.5 ft.E.of approx.NW.cor.sec.25,T28N,R8W. USC&GS & State Marker. C/L belfry

on Fairview schoolhouse in azimuth $01^{\circ}17'11''$; C/L belfry on Catholic Church about 2.7 mi. in azimuth $152^{\circ}56'45''$; C/L riser on Wakita Muni. W. T. about 5.5 mi. in azimuth $270^{\circ}46'31''$.

X-1, 994, 505.24 Y-685, 745.86 El. 1159.151 ft.

8-B-15-A TT 1934; Grant Co., approx. 6.0 mi. W. of Wakita; approx. 5.0 ft. S. & 2259.5 ft. E. of approx. NW. cor. sec. 26, T28N, R8W; is an iron bar set in hwy.

X-1, 991, 436.21 Y-685, 781.34

8-B-16 TT 1934; Grant Co., 6.75 mi. W. of Wakita; 23.5 ft. S. & 703.0 ft. W. of approx. NE. cor. sec. 27, T28N, R8W; 1.5 ft. N. of E-W fence on S. side of road. USC&GS & State Marker. C/L chimney on J. Schuler house about 1 mi. in azimuth $04^{\circ}26'15''$; C/L belfry on Catholic Church about 2.0 mi. in azimuth $184^{\circ}49'35''$; C/L chimney on house about 1.0 mi. in azimuth $266^{\circ}39'31''$.

X-1, 988, 102.40 Y-685, 763.44 El. 1152.477 ft.

8-B-17 TT 1934; Grant Co., 7.5 mi. W. of Wakita; 22.7 ft. N. & 50.5 ft. E. of approx. SW. cor. sec. 22, T28N, R8W; 2.8 ft. S. of E-W fence; 27.0 ft. E. of N-S fence. USC&GS & State Marker. C/L point of S. gable on J. Chapin house about 1.1 mi. in azimuth $163^{\circ}27'06''$; C/L belfry on Catholic Church in azimuth $205^{\circ}40'14''$; C/L riser on Wakita Muni. W. T. about 7.5 mi. in azimuth $270^{\circ}39'20''$.

X-1, 983, 868.23 Y-685, 809.51 El. 1172.264 ft.

8-B-17-A TT 1934; Grant Co., 7.5 mi. W. & 0.5 mi. S. of Wakita; 2.0 ft. N. & 1980.0 ft. W. of approx. E $\frac{1}{2}$ cor. sec. 28, T28N, R8W; 1" iron stake 18" long projecting 2" above ground & located on highest point of sandy hill.

X-1, 982, 739.15 Y-683, 131.38

8-B-18 TT 1934; Grant Co., 8.5 mi. W. of Wakita; 1001.0 ft. N. & 23.7 ft. W. of approx. E $\frac{1}{2}$ cor. sec. 29, T28N, R8W; 3.0 ft. E. of N-S fence. USC&GS & State Marker. C/L N. chimney on Robt. Gillispie house about 1.8 mi. in azimuth $68^{\circ}46'22''$; C/L Manchester Muni. W. T. about 10.0 mi. in azimuth $195^{\circ}24'42''$; C/L Wakita Muni. W. T. about 8.5 mi. in azimuth $268^{\circ}24'57''$.

X-1, 978, 455.81 Y-684, 113.84 El. 1207.956 ft.

8-B-19 TT 1934; Grant Co., 9.5 mi. W. of Wakita; 160.0 ft. N. & 19.7 ft. W. of approx. E $\frac{1}{2}$ cor. sec. 30, T28N, R8W; 2.0 ft. E. of N-S fence. USC&GS & State Marker. C/L N. chimney on Robt. Gillispie house about 1.3 mi. in azimuth $52^{\circ}01'52''$; C/L chimney on Mel Hines house about 1.0 mi. in azimuth $185^{\circ}59'32''$; C/L Wakita Muni. W. T. about 9.5 mi. in azimuth $267^{\circ}37'30''$.

X-1, 973, 233.98 Y-683, 275.97 El. 1265.509 ft.

8-B-19-A TT 1934; Grant Co., 10.0 mi. W. & 1.0 mi. S. of Wakita; 422.0 ft. S. & 3518.0 ft. W. of approx. E $\frac{1}{4}$ cor. sec. 30, T28N, R8W; 1" iron pipe projecting 2" above ground.

X-1, 969, 712.04 Y-682, 789.49

Sand Hill Tri. Sta., Junction Station. See Traverse 8-A.

Traverse 8-C; Woods & Alfalfa Counties

Sand Hill Tri. Sta. to 11-C-44

North Projection

Sand Hill Tri. Sta., See Traverse 8-A.

8-C-1 TT 1934; Alfalfa Co., 11.7 mi. E. & 8.0 mi. N. of Cherokee; 26.0 ft. N. & 1080.0 ft. E. of approx. S $\frac{1}{2}$ cor. sec. 27, T28N, R9W; 2.5 ft. S. of E-W fence. USC&GS & State Marker. C/L E. chimney on W. E. Terry house about 1.2 mi. in azimuth $128^{\circ}04'50''$; C/L windmill on Miles Clapler land about 1.4 mi. in azimuth $160^{\circ}07'44''$;

X-1, 955, 885.63 Y-680, 512.48 El. 1342.152 ft.

8-C-2 TT 1934; Alfalfa Co., 11.0 mi. E. & 7.4 mi. N. of Cherokee; 555.0 ft. S. & 31.0 ft. W. of approx. E $\frac{1}{2}$ cor. sec. 33, T28N, R9W; 5.0 ft. E. of N-S fence. USC&GS & State Marker. C/L Cherokee Muni. W. T. in azimuth $57^{\circ}58'21''$; C/L chimney on Henry Harris house about 0.5 mi. in azimuth $64^{\circ}15'30''$.

X-1, 952, 118.60 Y-677, 299.74 El. 1300.750 ft.

8-C-3 TT 1934; Alfalfa Co., 10.5 mi.E.& 7.0 mi.N.of Cherokee; 21.5 ft.N.& 181.0 ft.W.of approx.S $\frac{1}{2}$ cor.sec.33,T28N,R9W; 3.0 ft.S.of E-W fence. USC&GS & State Marker. C/L E.chimney on house owned by State Fish Hatchery about 1.1 mi.in azimuth 14 $^{\circ}$ 06'50"; C/L W.chimney on R.E.Bullard house about 0.7 mi.in azimuth 130 $^{\circ}$ 11'46"; C/L chimney on Henry Harris house about 0.19 mi.in azimuth 186 $^{\circ}$ 35'01".

X-1,949,311.31 Y-675,252.04 El. 1284.610 ft.

8-C-4 TT 1934; Alfalfa Co., 6.25 mi.N.& 10.0 mi.E.of Cherokee; 1300.0 ft.N.& 23.0 ft.W.of approx.SE.cor.sec.5,T27N,R9W; 3.0 ft.E.of N-S fence. USC&GS & State Marker. C/L chimney on J.Labruue house about 0.25 mi.in azimuth 17 $^{\circ}$ 02'56"; C/L chimney on M.Beard house about 1.1 mi.in azimuth 73 $^{\circ}$ 20'00"; C/L chimney on H.Harris house about 0.8 mi.in azimuth 208 $^{\circ}$ 58'24".

X-1,946,803.63 Y-671,301.64 El. 1211.845 ft.

8-C-5 TT 1934; Alfalfa Co., 9.0 mi.E.& 6.0 mi.N.of Cherokee; 25.0 ft.S.& 70.0 ft.E.of approx.NW.cor.sec.8,T27N,R9W; 4.0 ft.N.of E-W fence; 18.0 ft.E.of N-S fence. USC&GS & State Marker. C/L NE.cor.of church house about 6.5 ft.above ground in azimuth 48 $^{\circ}$ 58'49"; C/L top gable on W.end Locust Grove schoolhouse about 1.3 mi.in azimuth 234 $^{\circ}$ 37'56".

X-1,941,558.11 Y-670,032.11 El. 1151.286 ft.

8-C-6 TT 1934; Alfalfa Co., 7.0 mi.E.& 6.0 mi.N.of Cherokee; 32.0 ft.S.& 120.0 ft.E.of approx.NW.cor.sec.12,T27N,R10W; 20.0 ft.S.of E-W fence. USC&GS & State Marker. C/L windmill about 1.1 mi.in azimuth 113 $^{\circ}$ 23'44"; C/L E.chimney on State Fish Hatchery in azimuth 272 $^{\circ}$ 09'53"; C/L chimney on Chandler Estate house about 1 mi.in azimuth 271 $^{\circ}$ 38'46".

X-1,931,441.13 Y-670,102.09 El. 1165.747 ft.

8-C-7 TT 1934; Alfalfa Co., 6.6 mi.E.& 6.0 mi.N.of Cherokee; 32.0 ft.S.& 658.0 ft.E.of approx.N $\frac{1}{2}$ cor.sec.11,T27N,R10W; 2.0 ft.N.of E-W fence. USC&GS & State Marker. C/L E.chimney on S.M.Hafer house about 0.7 mi.in azimuth 37 $^{\circ}$ 10'13"; C/L C.H.Barker's windmill about 0.3 mi.in azimuth 190 $^{\circ}$ 37'53".

X-1,929,416.77 Y-670,022.47 El. 1170.252 ft.

8-C-7-A TT 1934; Alfalfa Co., 6.0 mi.N.& 6.5 mi.E.of Cherokee; 0.25 mi.W.of Grassy Plains schoolhouse on sec.line between sec.'s. 2 & 11,T27N,R10W. chisel mark on N.handrail of conc.culvert.

X-1,926,111.17 Y-670,200.61 El. 1148.622 ft.

8-C-8 TT 1934; Alfalfa Co., 5.0 mi.E.& 6.0 mi.N.of Cherokee; 31.5 ft.N.& 42.0 ft.W.of approx.SE.cor.sec.4,T27N,R10W; 63.0 ft.N.of E-W fence. USC&GS & State Marker. C/L chimney on McDall house about 0.75 mi.in azimuth 91 $^{\circ}$ 27'55"; C/L chimney on C.H.Barker house about 1.5 mi.in azimuth 269 $^{\circ}$ 30'43"; C/L S.chimney on 2 story house about 1.4 mi.in azimuth 294 $^{\circ}$ 19'26".

X-1,920,754.42 Y-670,136.34 El. 1153.173 ft.

8-C-9 TT 1934; Alfalfa Co., 3.9 mi.E.& 6.0 mi.N.of Cherokee; 25.0 ft.S.& 535.0 ft.W.of approx.NE cor. sec.8,T27N,R10 $\frac{1}{2}$; 5.0 ft. N. of E-W fence. USC&GS & State Marker. C/L N. chimney on W.R. Rucker house about 0.3 mi. in azimuth 34 $^{\circ}$ 57'38"; C/L chimney on Barker house about 0.7 mi. in azimuth 114 $^{\circ}$ 13'35"; C/L chimney on McDall house about 0.5 mi. in azimuth 265 $^{\circ}$ 29'48".

X-1,914,884.32 Y-670,078.94 El. 1157.996 ft.

8-C-10 TT 1934; Alfalfa Co., 2.25 mi.E.& 6.0 mi.N.of Cherokee; 25.0 ft.S.& 262.0 ft.W.of C/L of two tracks of AT&SF RR; in approx.SE $\frac{1}{4}$ sec.6,T27N,R10W; 50.0 ft.N.of E-W fence line in roadway. USC&GS & State Marker. C/L chimney on A.Forbes house about 0.28 mi.in azimuth 115 $^{\circ}$ 53'51"; C/L point of U.Ranch Monument about 0.1 mi.in azimuth 255 $^{\circ}$ 10'52".

X-1,906,719.84 Y-670,124.37 El. 1171.249 ft.

8-C-11 TT 1934; Alfalfa Co., 1.8 mi.E.& 6.0 mi.N.of Cherokee; 22.5 ft.N.& 1146.0 ft.E.of approx.S $\frac{1}{2}$ cor.sec.1,T27N,R11W; 2.5 ft.S.of E-W fence in roadway. USC&GS & State Marker. C/L NE.chimney on L.E.Collins house about 0.75 mi.in azimuth 273 $^{\circ}$ 51'37"; C/L $\frac{1}{2}$ " pipe driven in top of a 10" creosoted cor.post 12.0 ft.S.of bridge on E.bank of Medicine River about 0.02 mi.in azimuth 70 $^{\circ}$ 45'17".

- X-1,903,785.15 Y-670,209.81 El. 1173.490 ft.
 8-C-12 TT 1934; Alfalfa Co., 6.0 mi.N.& 0.3 mi.E.of Cherokee; 33.0 ft.S.& 727.0 ft.W.of approx.N $\frac{1}{2}$ cor.sec.11,T27N,R11W; 2.0 ft.N.of E-W fence. USC&GS & State Marker. C/L riser on Cherokee Muni.W.T.in azimuth 02°36'56"; C/L chimney on Ruthledge Estate house about 0.9 mi.in azimuth 18°17'12"; C/L highest chimney on D.C.Hodson house about 0.3 mi.in azimuth 61°58'52".
- X-1,896,683.96 Y-670,243.48 El. 1180.093 ft.
 8-C-13 TT 1934; Alfalfa Co., 6.2 mi.N.of Cherokee; 774.0 ft.N.& 48.5 ft.W.of approx.SE.cor.sec.10,T27N,R11W. USC&GS & State Marker. C/L E.chimney on A.Caskerty house about 1 mi.in azimuth 92°45'06"; C/L E.chimney on D.C.Hodson house about 0.75 mi.in azimuth 183°18'05"; C/L riser on Cherokee Muni.W.T.in azimuth 358°20'28".
- X-1,894,688.12 Y-665,782.57 El. 1187.856 ft.
 8-C-13-A TT 1934; Alfalfa Co., 4.5 mi.N.of Cherokee; chisel mark on E.end N.abutment of N.approach to river bridge N.of Cherokee on OK. Hwy.# 8.
- X-1,894,722.51 Y-663,528.66 El. 1185.614 ft.
 8-C-14 TT 1934; Alfalfa Co., 4.0 mi.N.of Cherokee; 51.0 ft.S.& 53.0 ft.E.of approx.NW.cor.sec.23,T27N,R11W; 1.0 ft.W.of N-S fence. USC & GS & State Marker. C/L Ingersol tall Methodist Church spire in azimuth 57°32'28"; C/L S.chimney on Joe Forney house about 0.4 mi.in azimuth 264°45'08"; C/L riser on Cherokee Muni.W.T.in azimuth 357°58'07".
- X-1,894,749.68 Y-659,680.85 El. 1180.082 ft.
 8-C-15 TT 1934; Alfalfa Co., 3.0 mi.N.of Cherokee; 290.0 ft.N.& 150.0 ft.E.of approx.SW.cor.sec.23,T27N,R11W; 97.0 ft.E.of N-S fence in N.fence line of Riverside school yard. USC&GS & State Marker. C/L tall spire on Ingersol Methodist Church in azimuth 83°32'31"; C/L S.chimney on house about 1.1 mi.in azimuth 204°33'50"; C/L riser on Cherokee Muni. W.T. in azimuth 357°25'19".
- X-1,894,801.91 Y-654,733.11 El. 1178.759 ft.
 8-C-16 TT 1934; Alfalfa Co., 2.0 mi.N.of Cherokee; 135.0 ft.N.& 50.0 ft.E.of approx.SW.cor.sec.26,T27N,R11W; 3.5 ft.W.of N-S fence. USC & GS & State Marker. C/L tall spire on Ingersol Methodist Church in azimuth 114°59'15"; C/L chimney on Riverside schoolhouse in azimuth 181°15'40"; C/L flag pole on dome of grade school in Cherokee in azimuth 358°21'31".
- X-1,894,657.85 Y-649,282.44 El. 1177.174 ft.
 8-C-17 TT 1934; Alfalfa Co., 1.0 mi.N.of Cherokee; 190.0 ft.S.& 39.0 ft.W.of approx.NE.cor.sec.3,T26N,R11W; 3.0 ft.W.of N-S fence line; on RR R/W. USC&GS & State Marker. C/L spire on Ingersol Methodist Church in azimuth 137°28'17"; C/L small N.chimney on Charles Dunn house about 0.5 mi.in azimuth 183°26'09"; C/L flag pole on Cherokee Grade school in azimuth 354°50'31".
- X-1,894,523.52 Y-643,571.90 El. 1181.919 ft.
 BM U.S.D.A. Biological Survey, 1930; Alfalfa Co., bronze disk at front walk of Cherokee C.H. El. 1179.636 ft.
- 8-C-18 TT 1934; Alfalfa Co., 0.5 mi.W.of Cherokee; 48.0 ft.N.& 2.0 ft.W.of approx.S $\frac{1}{2}$ cor.sec.3,T26N,R11W; 11.0 ft.N.of E-W fence; 2.0 ft. W.of N-S fence on land of Mrs. K.C.Warburton. USC&GS & State Marker. C/L spire on Ingersol Methodist Church in azimuth 156°04'22"; C/L riser on Cherokee Muni.W.T.in azimuth 227°17'36"; C/L flag on Cherokee Grade school in azimuth 267°57'58".
- X-1,891,940.65 Y-638,632.70 El. 1185.304 ft.
 8-C-19 TT 1934; Alfalfa Co., 1.0 mi.N.& 1.0 mi.W. of Cherokee; 25.0 ft.N.& 30.0 ft.E.of approx. SW cor. sec. 34,T27N,R11W; 5.0 ft.N. of E-W fence; 4.0 ft. E. of N-S fence, on land of Mrs. M.A. Peterson; USC&GS & State Marker. C/L tall spire on Ingersol Methodist Church in azimuth 157°33'51"; C/L riser on Cherokee Muni. W.T. in azimuth 289°00'33"; C/L flag pole on Cherokee Grade School in azimuth 312°23'11".
- X-1,889,298.83 Y-643,906.58 El. 1191.149 ft.

- 8-C-20 TT 1934; Alfalfa Co., 2.0 mi.N.& 2.0 mi.W.of Cherokee; 21.0 ft.N.& 61.0 ft.E.of approx.SW.cor.sec.28,T27N,R11W; 2.0 ft.S.of E-W fence; 27.0 ft.E.of N-S fence. USC&GS & State Marker. C/L high chimney on A.Beltz house about 1.4 mi.in azimuth 124°15'16"; C/L tall spire on Ingersol Methodist Church in azimuth 195°01'28"; C/L riser on Cherokee Muni.W.T.in azimuth 303°11'47".
 X-1,884,080.13 Y-649,205.27 El. 1203.753 ft.
- 8-C-21 TT 1934; Alfalfa Co., 2.5 mi.N.& 3.0 mi.W.of Cherokee; 32.0 ft.E.& 12.0 ft.S.of approx.W $\frac{1}{2}$ cor.sec.29,T27N,R11W; 12.0 ft.S.of E-W fence; 2.0 ft.W.of N-S fence. USC&GS & State Marker. C/L S.chimney on Pleasant Valley schoolhouse about 2.2 mi.in azimuth 105°11'45"; C/L spire on Ingersol Methodist Church about 1.2 mi.in azimuth 254°01'28"; C/L Cherokee Muni.W.T.about 4.0 mi.in azimuth 301°05'14".
 X-1,878,811.02 Y-651,802.15 El. 1215.831 ft.
- 8-C-22 TT 1934; Alfalfa Co., 2.5 mi.N.& 4.0 mi.W.of Cherokee; 1985 ft.S.& 23.0 ft.W.of approx.NE.cor.sec.25,T27N,R12W; 2.0 ft.E.of N-S fence. USC&GS & State Marker. C/L spire on Ingersol Methodist Church about 2.0 mi.in azimuth 265°27'04"; C/L S.chimney on Pleasant Valley schoolhouse about 1.2 mi.in azimuth 110°26'08"; C/L Cherokee Muni.W.T. about 4.8 mi.in azimuth 296°33'06".
 X-1,873,552.33 Y-652,719.55 El. 1223.913 ft.
- 8-C-23 TT 1934; Alfalfa Co., 3.0 mi.N.& 5.0 mi.W.of Cherokee; 70.0 ft.S.& 28.0 ft.E.of approx.NW.cor.sec.25,T27N,R12W; 15.4 ft.S.of E-W fence; 1.0 ft.W.of N-S fence in hedge row. USC&GS & State Marker. C/L belfry on Christian Church about 3.2 mi.in azimuth 95°53'31"; C/L spire on Ingersol Methodist Church about 3.2 mi.in azimuth 272°41'09"; C/L Cherokee Muni.W.T.about 6 mi.in azimuth 295°03'33".
 X-1,868,361.84 Y-654,445.37 El. 1231.444 ft.
- 8-C-24 TT 1934; Alfalfa Co., 3.0 mi.N.& 6.0 mi.W.of Cherokee; 55.0 ft.S.& 32.0 ft.W.of approx.NE.cor.sec.27,T27N,R12W. USC&GS & State Marker. C/L chimney on Wm.Schwab house about 1 mi.in azimuth 98°29'53"; C/L W.chimney on B.C.Lenhart house about 0.75 mi.in azimuth 357°29'36".
 X-1,863,014.65 Y-654,498.11 El. 1242.534 ft.
- 8-C-25 TT 1934; Alfalfa Co., 7.0 mi.W.& 5.0 mi.N.of Cherokee; 60.0 ft.S.& 37.0 ft.W.of approx.NE.cor.sec.28,T27N,R12W. USC&GS & State Marker. C/L N.chimney on C.Lenhart house about 0.5 mi.in azimuth 96°25'36"; C/L chimney on house about 0.25 mi.in azimuth 191°47'46".
 X-1,857,742.59 Y-654,520.87 El. 1260.638 ft.
- 8-C-26 TT 1934; Alfalfa Co., 3.0 mi.N.& 8.0 mi.W.of Cherokee; 58.0 ft.S.& 25.0 ft.E.of approx.NW.cor.sec.28,T27N,R12W. USC&GS & State Marker. C/L N.highest chimney on G.Cunningham house about 0.75 mi.in azimuth 87°54'30"; C/L belfry on church in azimuth 110°21'24"; C/L S.chimney on C.Lenhart house about 0.75 mi.in azimuth 267°14'25".
 X-1,852,517.35 Y-654,554.84 El. 1281.574 ft.
- 8-C-27 TT 1934; Alfalfa Co., 10.0 mi.W.& 3.0 mi.N.of Cherokee; 121.0 ft.N.& 23.0 ft.E.of approx.SW.cor.sec.19,T27N,R12W; 2.0 ft.W.of N-S fence. USC&GS & State Marker. C/L N.chimney on P.Rudy house about 0.25 mi.in azimuth 38°31'45"; C/L steeple on Ashley Church about 1.2 mi.in azimuth 249°14'49"; C/L S.chimney on J.Cunningham house in azimuth 273°04'44".
 X-1,841,897.38 Y-654,803.55 El. 1334.144 ft.
- 8-C-28 TT 1934; Woods Co., 6.1 mi.E.of Alva; 50.0 ft.S.& 567.0 ft.E.of approx.NW.cor.sec.25,T27N,R13W. USC&GS & State Marker. C/L chimney on M.J.Oles house about 0.75 mi.in azimuth 84°06'14"; C/L high chimney on J.Kassick house about 0.25 mi.in azimuth 111°44'08"; C/L N.chimney on P.Rudy house about 0.5 mi.in azimuth 276°19'47".
 X-1,837,132.09 Y-654,668.19 El. 1377.866 ft.
- 8-C-29 TT 1934; Woods Co., 5.0 mi.E.of Alva; 92.0 ft.N.& 16.5 ft.E.of approx.SW.cor.sec.23,T27N,R13W. USC&GS & State Marker. C/L riser on Alva N.Muni.W.T.in azimuth 88°48'10"; C/L high chimney on G.Kassick house about 0.8 mi.in azimuth 266°11'07"; C/L chimney on V.M.Oles house about 0.4 mi.in azimuth 278°49'00".

- X-1,831,302.83 Y-654,856.56 El. 1394.469 ft.
 8-C-30 TT 1934; Woods Co., 4.0 mi.E.of Alva; 84.0 ft.N.& 23.0 ft.
 W.of approx.SE.cor.sec.21,T27N,R13W; 2.0 ft.E.of N-S fence. USC&GS &
 State Marker. C/L S.Alva W.T.in azimuth $83^{\circ}13'32''$; C/L main boiler stack
 on Alva Roller Mills in azimuth $100^{\circ}55'44''$; C/L W.chimney on G.Sheafer
 house about 0.25 mi.in azimuth $188^{\circ}02'41''$.
- X-1,825,981.17 Y-654,882.44 El. 1329.409 ft.
 8-C-31 TT 1934; Woods Co., 3.0 mi.E.of Alva; 115.0 ft.N.& 25.0 ft.
 W.of approx.SE.cor.sec.20,T27N,R13W; 2.0 ft.E.of N-S fence. USC&GS &
 State Marker. C/L stack on Alva Roller Mills in azimuth $104^{\circ}04'33''$; C/L
 W.chimney on G.Sheafer house about 1 mi.in azimuth $259^{\circ}55'54''$.
- X-1,820,721.21 Y-654,976.08 El. 1321.587 ft.
 8-C-32 TT 1934; Woods Co., 2.0 mi.E.of Alva; 161.0 ft.S.& 26.0 ft.
 E.of approx.NW.cor.sec.29,T27N,R13W; 3.0 ft.W.of N-S fence. USC&GS &
 State Marker. C/L main stack on Alva Roller Mills in azimuth $111^{\circ}31'15''$;
 C/L chimney on Triumph schoolhouse about 1.1 mi.in azimuth $261^{\circ}24'41''$.
- X-1,815,482.17 Y-654,751.72 El. 1364.524 ft.
 8-C-33 TT 1934; Woods Co., In Alva; 60.0 ft.N.& 380.0 ft.E.of app-
 prox.S $\frac{1}{2}$ cor.sec.24,T27N,R14W; on land of L.C.Shedd. USC&GS & State Marker.
 To Alva Tri.Sta.in azimuth $88^{\circ}22'58''$; C/L S.Alva W.T.in azimuth $54^{\circ}42'$
 $11''$; C/L main stack on Alva Roller Mills in azimuth $139^{\circ}39'43''$.
- X-1,808,097.21 Y-655,054.83 El. 1386.350 ft.
 8-C-34 TT 1934; Woods Co., In Alva; 47.0 ft.S.& 1267.0 ft.E.of
 approx.NW.cor.sec.26,T27N,R14W; 1.0 ft.N.of E-W fence. USC&GS & State
 Marker. C/L S.chimney on C.A.Abbott house about 1.0 mi.in azimuth 94°
 $02'42''$; C/L main stack on Alva Roller Mills about 1.4 mi.in azimuth
 $222^{\circ}32'14''$;
- X-1,801,159.74 Y-655,040.91 El. 1472.876 ft.
 Alva Tri.Sta.,(Woods Co., C.I.A. 1934) In Alva; $\frac{1}{2}$ block S.of City
 Hospital, about 160.0 ft.W.of Camp Alva Filling Sta.on N.edge of 20.0
 ft.cut in US.Hwy.#64; in approx.NW.sec.26,T27N,R14W; on N.edge of cul-
 tivated field; 34.5 ft.E.SE.of fence cor., 5.0 ft.S.of S.R/W fence of
 US.Hwy.#64. Mark is 14" underground.
- X-1,801,011.34 Y-655,036.72 El. 1476.339 ft.
 Station, underground, reference & azimuth marks are bronze tablets set
 in conc.as described in notes 1a, 7a, 11a.
 R.M.#1 is 34.288 m. (112.49 ft.) in azimuth $24^{\circ}12'50''$, set in N-S fence
 line. El. 1477.018 ft.
 R.M.#2 is 14.428 m. (47.33 ft.) in azimuth $55^{\circ}31'31''$, set in same field
 fence; 23.208 m. (76.14 ft.) due N.of R.M.#1. El. 1476.327 ft.
 Azimuth Mark (Reset 1939 by Oklahoma Geodetic Survey) To reach from sta.
 go to W.edge of N.W.S.T.College grounds, thence S.to Silver W.T.which
 is approx. 0.5 mi.S.of US.Hwy.#64. Mark is set in most S.W.leg of W.T.
 in azimuth $311^{\circ}01'13''$.
- 8-C-35 TT 1934; Woods Co., 1.5 mi.W.of Alva; 48.0 ft.N.& 1940.0 ft.
 W.of approx.SE.cor.sec.22,T27N,R14W; 2.0 ft.S.of E-W fence. USC&GS &
 State Marker. C/L S.chimney on O.A.Abbott house about 0.5 mi.in azimuth
 $96^{\circ}31'48''$; C/L S.Alva W.T.about 1.2 mi.in azimuth $294^{\circ}35'15''$.
- X-1,797,887.20 Y-655,181.57 El. 1479.338 ft.
 8-C-36 TT 1934; Woods Co., 3.25 mi.W.of Alva; 50.0 ft.N.& 1460.0
 ft.W.of approx.SE.cor.sec.20,T27N,R14W; 1.5 ft.S.of E-W fence. USC&GS &
 State Marker. C/L chimney on S.E.Siebenlist house about 1 mi.in azimuth
 $87^{\circ}51'31''$; C/L S.chimney on O.A.Abbott house about 1 mi.in azimuth 268°
 $49'27''$; C/L S.Alva W.T.in azimuth $280^{\circ}14'59''$.
- X-1,787,797.99 Y-655,256.54 El. 1492.158 ft.
 8-C-37 TT 1934; Woods Co., 4.17 mi.W.of Alva; 71.0 ft.S.& 743.0 ft.
 W.of approx.NE.cor.sec.30,T27N,R14W; 19.0 ft.S.of E-W fence; 3.0 ft.W.of
 N-S fence on land of J.E.Siebenlist. USC&GS & State Marker. C/L N.chim-
 ney on H.M.Simp house about 1 mi.in azimuth $57^{\circ}46'34''$; C/L chimney on
 H.B.Scraggs house about 0.5 mi.in azimuth $88^{\circ}14'26''$; C/L S.Alva W.T.in
 azimuth $277^{\circ}46'08''$.
- X-1,783,277.76 Y-655,151.97 El. 1497.116 ft.

- 8-C-38 TT 1934; Woods Co., 6.3 mi.W.of Alva; 47.0 ft.S.& 1713.0 ft.W.of approx.NE.cor.sec.26,T27N,R15W; 3.0 ft.N.of E-W fence. USC&GS & State Marker. C/L chimney on J.Zapp house about 2 mi.in azimuth $89^{\circ}32'42''$; C/L highest chimney on I.B.Kieser house about 0.8 mi.in azimuth $95^{\circ}29'30''$; C/L chimney on McKeever Schoolhouse about 0.4 mi.in azimuth $265^{\circ}20'10''$.
 X-1,771,945.47 Y-655,268.84 El. 1503.287 ft.
- 8-C-39 TT 1934; Woods Co., 7.75 mi.W.of Alva; 45.0 ft.N.& 1475.0 ft.E.of approx.SW.cor.sec.22,T27N,R15W; 3.0 ft.S.of E-W fence. USC&GS & State Marker. C/L N.chimney on Star Schoolhouse about 1 mi.in azimuth $91^{\circ}56'58''$; C/L chimney on I.B.Kieser house about 0.9 mi.in azimuth $268^{\circ}53'32''$.
 X-1,764,205.14 Y-655,445.11
- 8-C-40 TT 1934; Woods Co., 10.0 mi.W.of Alva; near cor.common to sec.19, 20, 29, 30,T27N,R15W. in hwy.R/W. USC&GS & State Marker. C/L highest chimney on A.J.Steven's house about 1.2 mi.in azimuth $132^{\circ}34'23''$; C/L E.chimney on house about 0.25 mi.in azimuth $188^{\circ}48'23''$; C/L chimney on John Zapp house about 2 mi.in azimuth $271^{\circ}36'42''$.
 X-1,752,548.75 Y-655,529.29 El. 1600.765 ft.
- 8-C-41 TT 1934; Woods Co., 11.0 mi.W.of Alva; 40.0 ft.S.& 350.0 ft.W.of approx.NE.cor.sec.25,T27N,R16W. USC&GS & State Marker. C/L N. chimney on A.Brown house about 0.6 mi.in azimuth $88^{\circ}35'15''$; C/L high chimney on A.J.Stevens house about 0.3 mi.in azimuth $202^{\circ}14'35''$; C/L E. chimney on house about 1.5 mi.in azimuth $257^{\circ}56'18''$.
 X-1,746,951.23 Y-655,448.32 El. 1720.577 ft.
- 8-C-42 TT 1934; Woods Co., 12.5 mi.W.of Alva; 1814.0 ft.E.of approx. SW.cor.sec.24,T27N,R16W; 50.0 ft.N.of C/L US.Hwy.#64; 3.0 ft.S.of fence. USC&GS & State Marker. C/L N.chimney on A.J.Brown house about 1 mi.in azimuth $273^{\circ}03'12''$; C/L chimney on G.Chase house about 1 mi.in azimuth $301^{\circ}18'44''$; C/L S.edge of S.chimney on house about 1.5 mi.in azimuth $111^{\circ}54'12''$.
 X-1,740,228.36 Y-655,625.54 El. 1760.405 ft.
- 8-C-43 TT 1934; Woods Co., 14.0 mi.W.of Alva; 1404.0 ft.E.of approx. NW.cor.sec.27,T27N,R16W; 48.0 ft.S.of C/L US.Hwy.#64; 2.0 ft.N.of fence. USC&GS & State Marker. C/L W.side of S.chimney on house about 0.5 mi.in azimuth $160^{\circ}04'47''$.
 X-1,732,919.73 Y-655,597.60 El. 1765.419 ft.
- 8-C-44 TT 1934; Woods Co., 15.0 mi.W.of Alva; in sec.21,T27N,R16W; 48.0 ft.N.of C/L US.Hwy.#64; 2.6 ft.S.of fence; 352.0 ft.E.of E.side of Mound Ridge Schoolhouse; 268.0 ft.E.of C/L sec.line road. USC&GS & State Marker. C/L belfry on Mound Ridge schoolhouse in azimuth $109^{\circ}36'52''$; C/L W.edge S.chimney on house about 0.25 mi.in azimuth $211^{\circ}58'53''$.
 X-1,726,513.67 Y-655,792.01 El. 1798.258 ft.
- 8-C-44-A TT 1934; Woods Co., 16.0 mi.W.of Alva; in sec.29,T27N,R16W; 50.0 ft.SE.of C/L US.hwy.#64; 4.9 ft.N.of fence; 222.9 ft.SW.of C/L of culvert; 650.5 ft.NW.of E.gate post; 4.5 in. conc.cylinder set in conc.with monel metal rivet with cross & center point 6 in. below surface of ground. C/L S.side of dormer window on house about 2 mi.in azimuth $117^{\circ}14'19''$; C/L belfry on Mound Ridge schoolhouse about 0.25 mi.in azimuth $257^{\circ}10'52''$.
 X-1,723,382.69 Y-655,293.07
- 8-C-45 TT 1934; Woods Co., 16.5 mi.W.of Alva; in sec.30,T27N,R16W; 46.0 ft.S.of C/L US.Hwy.#64; 2.8 ft.N.of fence, 0.32 mi.W.of bridge; 725.7 ft.W.of culvert. USC&GS & State Marker. C/L S.chimney on filling sta.about 0.75 mi.in azimuth $91^{\circ}22'01''$.
 X-1,719,713.39 Y-655,673.34 El. 1773.041 ft.
- 8-C-46 TT 1934; Woods Co., 17.0 mi.W.of Alva; 421.0 ft.W.of approx. SE.cor.sec.24,T27N,R17W; 51.1 ft.N.of C/L US.Hwy.#64. USC&GS & State Marker. C/L gable roof of dormer window on house about 0.25 mi.in azimuth $185^{\circ}37'17''$.
 X-1,715,507.82 Y-655,917.96 El. 1831.025 ft.

- 8-C-46-A TT 1934; Woods Co., 17.5 mi.W.of Alva; in sec.24,T27N,R17W; 647.0 ft.NW.of C/L N.headwall of culvert on US.Hwy.#64; 53.0 ft. N.of C/L US.Hwy.#64; 568.0 ft.SE.of C/L water shed dump; is a monel rivet with cross & counterpoint set in conc. 1 in.below surface of ground. C/L chimney on house about 1.5 mi.in azimuth 137°07'39"; C/L gable N.monitor on house about 1.5 mi.in azimuth 239°15'42".
X-1,711,142.71 Y-656,396.09
- 8-C-47 TT 1934; Woods Co., 18.3 mi.W.of Alva; in sec.23,T27N,R17W; 49.0 ft.N.of C/L US.Hwy.#64; 1.0 ft.S.of fence. USC&GS & State Marker. C/L gable on S.dormer on house in azimuth 269°34'56"; C/L chimney on 2 story house about 0.25 mi.in azimuth 167°15'46".
X-1,707,269.03 Y-659,120.76 El. 1747.492 ft.
- 8-C-48 TT 1934; Woods Co., 19.2 mi.W.of Alva; in sec.22,T27N,R17W; 50.0 ft.N.of C/L US.Hwy.#64; 110.0 ft.W.of W.line of farmhouse. USC&GS & State Marker. C/L chimney on 2 story house about 0.25 mi.in azimuth 259°43'40"; C/L chimney on house in azimuth 115°01'20".
X-1,704,352.56 Y-660,584.49 El. 1748.951 ft.
- 8-C-48-A TT 1934; Woods Co., 19.7 mi.W.of Alva; in sec.22,T27N,R17W; 25.0 ft.N.of C/L US.Hwy.#64; 1374.0 ft.E.of E.end of conc.head-rail on bridge; 4 in.conc.cylinder with monel rivet with cross & center point.
X-1,702,753.79 Y-660,626.42
- 8-C-49 TT 1934; Woods Co., 20.0 mi.W.of Alva; 0.7 mi.E.of approx. SW.cor.sec.21,T27N,R17W; 50.0 ft.S.of C/L US.Hwy.#64; 6.0 ft.N.of fence cor., 0.6 mi.W.of bridge on Red Horse Creek. USC&GS & State Marker. C/L chimney on 2 story house about 0.75 mi.in azimuth 168°26'36"; C/L chimney on 2 story house about 1.25 mi.in azimuth 260°35'31".
X-1,698,351.77 Y-659,630.14 El. 1755.571 ft.
- 8-C-50 TT 1934; Woods Co., 21.0 mi.W.of Alva; 0.15 mi.W.of E.line of sec.20,T27N,R17W; 69.0 ft.N.of C/L US.Hwy.#64; 7.0 ft.S.of fence. USC&GS & State Marker. C/L chimney on 2 story house about 2 mi.in azimuth 267°08'27".
X-1,694,245.16 Y-660,406.51 El. 1769.612 ft.
- 8-C-51 TT 1934; Woods Co., 22.0 mi.W.of Alva; in sec.19,T27N,R17W; 65.0 ft.S.of C/L US.hwy.#64; 11.0 ft.N.of fence; 1.0 mi.E.of bridge on Anderson Creek. USC&GS & State Marker. C/L center chimney on house about 1 mi.in azimuth 253°48'39"; C/L S.chimney on 2 story house about 1.25 mi.in azimuth 109°29'59".
X-1,689,989.42 Y-661,277.55 El. 1742.522 ft.
- 8-C-52 TT 1934; Woods Co., 23.0 mi.W.& 1.0 mi.N.of Alva; 0.6 mi.E. of approx.NW.cor.sec.24,T27N,R18W; 40.0 ft.S.of C/L US.Hwy.#64; W.of bridge on Anderson Creek. USC&GS & State Marker. C/L S.chimney on 2 story house about 0.25 mi.in azimuth 190°38'10".
X-1,681,770.95 Y-661,385.12 El. 1700.316 ft.
- 8-C-53 TT 1934; Woods Co., 24.0 mi.W.& 1.0 mi.N.of Alva; 2.0 ft.N. of fence; 0.6 mi.E.of approx.SW.cor.sec.14,T27N,R18W; 48.0 ft.N.of C/L US.Hwy.#64. USC&GS & State Marker.
X-1,676,438.24 Y-661,560.58 El. 1662.921 ft.
- 8-C-54 TT 1934; Woods Co., 25.0 mi.W.& 1.0 mi.N.of Alva; in sec. 15,T27N,R18W; 47.0 ft.N.of C/L US.Hwy.#64; 5.0 ft.S.of fence; 45.0 ft. E.of E.edge of barn roof. USC&GS & State Marker. C/L S.chimney on 2 story house about 2 mi.in azimuth 262°05'38"; C/L W.chimney on house about 0.19 mi.in azimuth 169°44'48".
X-1,668,812.16 Y-662,146.72 El. 1702.329 ft.
- 8-C-55 TT 1934; Woods Co., 24.5 mi.W.& 1.5 mi.N.of Alva; 50.8 ft. E.of C/L US.Hwy.#64; on first knoll N.of S.line of sec.9,T27N,R18W; USC&GS & State Marker. C/L S.chimney on house about 1 mi.in azimuth 326°56'44"; C/L N.chimney on house about 1 mi.in azimuth 158°12'39".
X-1,665,507.54 Y-667,866.11 El. 1773.279 ft.
- 8-C-56 TT 1934; Woods Co., 25.5 mi.W.& 2.0 mi.N.of Alva; in sec. 5,T27N,R18W; 45.8 ft.N.of C/L US.Hwy.#64; 5.3 ft.S.of fence; 560.0 ft.

- E. of E. edge of Unity schoolhouse. USC&GS & State Marker. C/L chimney on house about 0.5 mi. in azimuth $227^{\circ}00'53''$; C/L belfry on Unity school house in azimuth $77^{\circ}18'53''$.
- X-1, 661, 337.86 Y-672, 292.83 El. 1718.086 ft.
 8-C-57 TT 1934; Woods Co., 26.5 mi. W. & 2.0 mi. N. of Alva; in sec. 7, T27N, R18W; 42.5 ft. S. of C/L US Hwy. #64; 6.8 ft. N. of fence; 59.0 ft. W. of W. edge of Saint's Chapel. USC&GS & State Marker. C/L belfry on Unity schoolhouse about 1 mi. in azimuth $271^{\circ}19'11''$; C/L chimney on filling station about 4 mi. in azimuth $90^{\circ}50'06''$.
- X-1, 653, 385.53 Y-672, 335.07 El. 1695.365 ft.
 8-C-58 TT 1934; Woods Co., 27.5 mi. W. & 2.0 mi. N. of Alva; in sec. 1, T27N, R19W; 49.0 ft. N. of C/L US Hwy. #64; 2.5 ft. S. of fence; 673.0 ft. E. of E. edge of stucco house. USC&GS & State Marker. C/L chimney on filling station about 3 mi. in azimuth $90^{\circ}35'27''$.
- X-1, 649, 900.83 Y-672, 446.13 El. 1733.412 ft.
 8-C-59 TT 1934; Woods Co., 28.5 mi. W. & 2.0 mi. N. of Alva; in sec. 11, T27N, R19W; 76.2 ft. S. of C/L US Hwy. #64; 0.35 mi. W. of bridge over Sand Creek. USC&GS & State Marker. C/L chimney on house about 1 mi. in azimuth $105^{\circ}06'33''$.
- X-1, 642, 946.28 Y-672, 378.70 El. 1716.942 ft.
 8-C-60 TT 1934; Woods Co., 30.0 mi. W. & 2.0 mi. N. of Alva; in sec. 4, T27N, R19W; 45.0 ft. N. of C/L US Hwy. #64; 4.0 ft. S. of fence of Plain View Filling Sta., USC&GS & State Marker. C/L chimney on double hipped roof about 0.25 mi. in azimuth $207^{\circ}21'38''$.
- X-1, 635, 923.61 Y-672, 559.78 El. 1852.480 ft.
 8-C-61 TT 1934; Woods Co., 31.0 mi. W. & 2.0 mi. N. of Alva; 105.0 ft. W. of Jct. US Hwy. #64 & OK Hwy. #50 at approx. NE. cor. sec. 8, T27N, R19W; 425.0 ft. S. of C/L US Hwy. #64; 7.0 ft. N. of fence. USC&GS & State Marker.
- X-1, 631, 629.38 Y-672, 506.76 El. 1822.726 ft.
 Snap Tri. Sta., Woods Co., C.I.A. 1934; 6.0 mi. N. & 8.0 mi. W. of Freedom; in approx. SW $\frac{1}{4}$ sec. 33, T28N, R19W; 1.0 mi. N. of US Hwy. #64; on top of highest hill in immediate vicinity, in pasture land owned by Mrs. B. Snap who lives about 3 mi. E. of Freedom. Reached from Freedom by going N. on OK Hwy. #50, 3.0 mi. to US Hwy. #64 & Camp Houston Store. Turn left (W.) on US Hwy. #64 & go 8.2 mi. to Plainview store, continue W. of here on US Hwy. #64 for 0.8 mi., then leave #64 & turn right (N.) on OK Hwy. #50 & go 1.0 mi., then go through gate entering pasture on right & go N. along E. side of fence to top of hill & sta. Station is 61.0 ft. E. of C/L of OK Hwy. #50 & 31.0 ft. E. of E.R/W fence line. Mark projects about 2 in. above surface of ground. Sta., underground, reference & azimuth marks are bronze tablets set in conc. as described in notes 1a, 7a, 11a.
- X-1, 631, 745.74 Y-678, 443.34
 R.M. #1 is 23.687 m. (77.71 ft.) S. SW. of sta. on E.R/W fence line in azimuth $23^{\circ}19'23''$. El. 1897.345 ft.
 R.M. #2 is 19.113 m. (62.70 ft.) N. NW. of sta. on E.R/W fence line in azimuth $153^{\circ}21'36''$.
 Azimuth mark is approx. 0.6 mi. S. of sta., 30.0 ft. W. of C/L OK Hwy. #50 on W.R/W fence line in azimuth $02^{\circ}07'54''$. El. 1836.679 ft.
- X-1, 623, 421.22 Y-672, 818.09 El. 1735.677 ft.
 8-C-62 TT 1934; Woods Co., 32.0 mi. W. & 2.0 mi. N. of Alva; in sec. 6, T27N, R19W; 125.0 ft. N. of C/L US Hwy. #64; approx. 600.0 ft. E. of P.C. on US Hwy. #64. USC&GS & State Marker. C/L belfry on schoolhouse about 3 mi. in azimuth $38^{\circ}45'04''$.
- X-1, 618, 450.93 Y-675, 285.18 El. 1621.634 ft.
 8-C-63 TT 1934; Woods Co., 33.0 mi. W. & 2.0 mi. N. of Alva; in sec. 1, T27N, R20W; on sandy knoll in direct line between 8-C-62 & end of Cimarron River Bridge; 5560.0 ft. NW. from 8-C-62. USC&GS & State Marker.
- X-1, 617, 557.64 Y-677, 065.26 El. 1613.484 ft.
 8-C-64 TT 1934; Woods Co., 33.5 mi. W. & 2.0 mi. N. of Alva; in sec. 1, T27N, R20W; 74.0 ft. N. of C/L US Hwy. #64; 390.0 ft. E. of P.T. in US Hwy. #64; 1584.0 ft. E. of E. end of wooden River bridge. USC&GS & State Marker. C/L chimney on 2 story house about 2 mi. in azimuth $143^{\circ}39'27''$.

8-C-64-A TT 1934; Harper Co., 34.2 mi.W.of & 2.0 mi.N.of Alva; in sec.2,T27N,R20W; 12.0 ft.S.of C/L US.Hwy.#64; 144.0 ft.W.of W.end of Cimarron River Bridge; in direct line with S.Bannister. is a monel metal rivet set in cone & marked with cross & center point, 1.0 ft.below surface.

X-1,613,975.05

Y-676,987.89

11-C-44 TT 1934; Junction Station. See Traverse 11-C.

Traverse 8-D; Woods, Alfalfa & Major Counties

8-C-33 TT 1934 to 7-D-36 TT 1934

North Projection

8-C-33 TT 1934; Woods Co., Junction Station. See Traverse 8-C.

8-D-1 TT 1934; Woods Co., 1.0 mi.S.of Alva; in sec.25,T27N,R14W; 0.7 mi.S.of US.Hwy.#64; 17.0 ft.W.of C/L of N-S road; 2.0 ft.E.of fence & 3.0 ft.SE.of cor.post of E-W fence. USC&GS & State Marker. C/L cupola on Alva C.H.in azimuth 162°03'04".

X-1,807,372.40

Y-651,236.87

El. 1475.855 ft.

8-D-1-A TT 1934; Woods Co., 1.0 mi.S.of Alva; chisel mark on conc. culvert of E.retaining wall about 1500.0 ft.N.of 8-D-2.

El. 1471.426 ft.

8-D-2 TT 1934; Woods Co., 1.3 mi.S.of Alva; 0.3 mi.S.of approx.NE. cor.sec.35,T27N,R14W; 47.0 ft.W.of C/L OK.Hwy.#14; 3.0 ft.E.of fence & 6.0 ft.N.of garden fence line; 156.5 ft.S.of N.edge of 2 story house. USC&GS & State Marker. C/L E.chimney on 2 story house about 0.25 mi.in azimuth 04°46'40".

X-1,804,974.52

Y-648,147.34

El. 1468.852 ft.

8-D-3 TT 1934; Woods Co., 2.0 mi.S.of Alva; 0.2 mi.S.of approx.NW. cor.sec.1,T26N,R14W; 47.0 ft.E.of C/L OK.Hwy.#14; 3.0 ft.W.of fence; 137.0 ft.S.of SW.cor.pasture fence. USC&GS & State Marker. C/L E.chimney on 2 story house about 0.5 mi.in azimuth 177°23'35";

X-1,805,027.77

Y-643,353.33

El. 1462.547 ft.

8-D-4 TT 1934; Woods Co., 3.0 mi.S.of Alva; 0.1 mi.S.of approx.NE. cor.sec.11,T26N,R14W; 47.0 ft.W.of C/L OK.Hwy.#14; 3.0 ft.E.of fence. USC&GS & State Marker. C/L chimney on 2 story house about 0.25 mi.in azimuth 347°29'12"; C/L E.chimney on 2 story house about 1 mi.in azimuth 323°18'52".

X-1,804,900.25

Y-638,515.30

El. 1442.377 ft.

8-D-5 TT 1934; Woods Co., 4.7 mi.S.of Alva; 0.45 mi.S.of approx.NW. cor.sec.13,T26N,R14W; 46.2 ft.E.of C/L OK.Hwy.#14; 3.5 ft.W.of fence; 36.4 ft.S.of E-W field fence. USC&GS & State Marker. C/L E.gable on barn about 1 mi.in azimuth 45°07'44"; C/L chimney on 2 story house about 0.75 mi.in azimuth 253°17'37".

X-1,804,947.49

Y-631,743.98

El. 1418.502 ft.

8-D-6 TT 1934; Woods Co., 6.0 mi.S.of Alva; 329.0 ft.S.of approx. NE.cor.sec.26,T26N,R14W; 48.0 ft.W.of C/L OK.Hwy.#14; 2.0 ft.E.of fence. USC&GS & State Marker. C/L E.gable on barn about 0.75 mi.in azimuth 149°32'08"; C/L cupola on Hopeton Church about 1.5 mi.in azimuth 359°35'43".

X-1,804,748.34

Y-622,972.35

El. 1443.470 ft.

8-D-7 TT 1934; Woods Co., 7.0 mi.S.of Alva; 0.38 mi.S.of approx.NW. cor.sec.36,T26N,R14W; 39.0 ft.E.of C/L OK.Hwy.#14; 7.0 ft.W.of fence; 36.0 ft.N.of N.edge of house on W.side of hwy. USC&GS & State Marker. C/L ventilator on center elevator about 0.25 mi.in azimuth 329°08'30"; C/L belfry on church about 0.5 mi.in azimuth 359°54'30".

X-1,804,804.18

Y-616,541.48

El. 1404.257 ft.

8-D-8 TT 1934; Woods Co., 8.0 mi.S.of Alva; 0.2 mi.S.of approx.NE. cor.sec.2,T25N,R14W; 45.0 ft.W.of C/L OK.Hwy.#14; 5.0 ft.W.of fence; 26.0 ft.N.of N.edge of 2 story house. USC&GS & State Marker. C/L belfry on church about 0.4 mi.in azimuth 182°16'51"; C/L chimney on house about 0.75 mi.in azimuth 278°26'21".

X-1,804,687.45

Y-611,623.66

El. 1431.774 ft.

- 8-D-9 TT 1934; Woods Co., 9.0 mi.S.of Alva; 37.3 ft.N.of approx. SW.cor.sec.1,T25N,R14W; 41.0 ft.E.of C/L OK.Hwy.#14; 7.0 ft.W.of fence. USC&GS & State Marker. C/L E.end of gable on barn about 0.75 mi.in azimuth 08°51'22"; C/L chimney on school about 0.5 mi.in azimuth 87°18'27".
X-1,804,740.52 Y-607,787.13 El. 1453.033 ft.
- 8-D-10 TT 1934; Woods Co., 10.0 mi.S.of Alva; 0.25 mi.S.of approx. NW.cor.sec.13,T25N,R14W; 45.0 ft.E.of C/L OK.Hwy.#14; 5.0 ft.W.of fence; 65.0 ft.N.of C/L of 2 x 4 ft.conc.culvert. USC&GS & State Marker. C/L E. gable on schoolhouse about 1 mi.in azimuth 142°47'54"; C/L S.chimney on house about 1 mi.in azimuth 300°36'34".
X-1,804,685.01 Y-600,923.64 El. 1430.351 ft.
- 8-D-11 TT 1934; Woods Co., 12.0 mi.S.of Alva; 2149.0 ft.S.of approx. NE.cor.sec.23,T25N,R14W; 48.0 ft.W.of C/L OK.Hwy.#14; 2.0 ft.E.of fence; 130.0 ft.S.of S.edge of house on opposite side of road. USC&GS & State Marker. C/L ventilator on barn about 0.5 mi.in azimuth 08°58'55"; C/L E.gable of schoolhouse about 2.5 mi.in azimuth 159°03'43".
X-1,804,570.90 Y-594,705.27 El. 1436.707 ft.
- 8-D-12 TT 1934; Woods Co., 13.0 mi.S.of Alva; 695.0 ft.S.of approx. NW.cor.sec.36,T25N,R14W; 64.0 ft.E.of C/L OK.Hwy.#14; 14.0 ft.E.of fence. USC&GS & State Marker. C/L S.chimney on house about 1 mi.in azimuth 139°56'26".
X-1,804,600.20 Y-586,257.71 El. 1462.098 ft.
- 8-D-13 TT 1934; Woods Co., 14.0 mi.S.of Alva; 918.0 ft.S.of N.line sec.2,T24N,R14W; 205.0 ft.W.& on line with W.end of culvert on OK.Hwy.#45; on first high knoll S.of jct.on OK.Hwy.#14 & #45. USC&GS & State Marker. C/L chimney on house about 0.25 mi.in azimuth 83°52'56"; C/L chimney on house in azimuth 215°47'09".
X-1,804,052.61 Y-580,148.10 El. 1500.386 ft.
- 8-D-14 TT 1934; Woods Co., 15.0 mi.S.of Alva; 11.0 mi.W.of Carmen; 29.0 ft.S.& 97.0 ft.E.of approx.NW.cor.sec.12,T24N,R14W. USC&GS & State Marker.
X-1,807,085.80 Y-575,373.79 El. 1478.798 ft.
- 8-D-15 TT 1934; Woods Co., 15.0 mi. S. & 1.0 mi. E. of Alva; 10.0 mi.W.of Carmen; in sec.1,T24N,R14W; 67.0 ft.N.of C/L OK.Hwy.#45; 17.0 ft.N.of fence; 260.0 ft.W.of N-S fence to Polson's orchard. USC&GS & State Marker. C/L ventilator on barn about 0.1 mi.in azimuth 199°22'46".
X-1,811,186.14 Y-575,430.04 El. 1465.532 ft.
- 8-D-16 TT 1934; Woods Co., 9.0 mi. W. of Carmen; 15.0 mi. S. & 2.0 mi.E.of Alva; 0.2 mi.W.of approx.NE.cor.sec.7,T24N,R13W; 47.0 ft.S.of C/L OK.Hwy.#45; 3.0 ft.N.of fence; 10.0 ft.E.of cor.of N-S fence. USC&GS & State Marker.
X-1,816,228.80 Y-575,299.78 El. 1414.587 ft.
- 8-D-17 TT 1934; Woods Co., 8.0 mi. W. of Carmen; 15.0 mi. S. & 3.0 mi.E.of Alva; 0.2 mi.W.of approx.SE.cor.sec.5,T24N,R13W; 48.0 ft.N.of C/L OK.Hwy.#45; 2.0 ft.S.of fence. USC&GS & State Marker. C/L chimney on schoolhouse about 0.25 mi.in azimuth 83°07'28"; C/L E.chimney on house about 0.25 mi.in azimuth 251°30'23".
X-1,821,340.33 Y-575,372.12 El. 1389.585 ft.
- 8-D-18 TT 1934; Woods Co., 7.0 mi. W. of Carmen; 470.0 ft. W. of approx.NE.cor.sec.9,T24N,R13W; 54.0 ft.S.of C/L OK.Hwy.#45; 4.0 ft.S.of fence; 315.0 ft.W.of C/L conc.culvert. USC&GS & State Marker. C/L chimney on house about 1.25 mi.in azimuth 147°04'44"; C/L chimney on 2 story house about 1 mi.in azimuth 268°01'54".
X-1,827,227.38 Y-575,235.31 El. 1376.080 ft.
- 8-D-19 TT 1934; Woods Co., 6.0 mi. W. of Carmen; 423.5 ft. E. of approx.SW.cor.sec.2,T24N,R13W; 51.0 ft.N.of C/L OK.Hwy.#45; 57.5 ft.E. of C/L conc.culvert. USC&GS & State Marker. C/L chimney on house about 0.25 mi.in azimuth 91°55'05"; C/L chimney on schoolhouse about 0.5 mi. in azimuth 267°41'25".
X-1,833,367.22 Y-575,315.43 El. 1373.046 ft.
- 8-D-20 TT 1934; Woods Co., 4.5 mi. W. of Carmen; 1899.3 ft. E. of

- approx. NW. cor. sec. 12, T24N, R13W; 56.0 ft. S. of C/L OK. Hwy. #45; 346.0 ft. E. of C/L culvert. USC&GS & State Marker. C/L chimney on schoolhouse about 1 mi. in azimuth $92^{\circ}38'29''$; C/L Carmen Muni. W.T. about 4.5 mi. in azimuth $270^{\circ}23'34''$.
- X-1,840,087.81 Y-575,174.11 El. 1374.445 ft.
 8-D-21 TT 1934; Alfalfa Co., 3.5 mi. W. of Carmen; 0.4 mi. E. of Woods & Alfalfa Co. line; in approx. NW. cor. sec. 6, T24N, R12W; 39.5 ft. N. of C/L OK. Hwy. #45; 105.0 ft. S. of fence; 77.0 ft. E. of E. edge of 2 story house. USC&GS & State Marker. C/L Carmen Muni. W.T. in azimuth $270^{\circ}42'08''$; C/L belfry on Bellview schoolhouse about 0.5 mi. in azimuth $275^{\circ}18'38''$.
- X-1,845,354.09 Y-575,238.03 El. 1337.075 ft.
 8-D-22 TT 1934; Alfalfa Co., 3.0 mi. W. of Carmen; 2567.5 ft. E. of approx. NW. cor. sec. 8, T24N, R12W; 48.0 ft. S. of C/L OK. Hwy. #45; 2.0 ft. N. of fence; 81.0 ft. W. of N-S fence cor., 890.0 ft. E. of bridge. USC&GS & State Marker. C/L vent on barn about 1 mi. in azimuth $200^{\circ}25'35''$; C/L CRI&P RR W.T. about 1 mi. in azimuth $284^{\circ}34'05''$.
- X-1,851,065.43 Y-575,118.04 El. 1326.215 ft.
 8-D-23 TT 1934; Alfalfa Co., 2.0 mi. W. of Carmen; 3149.5 ft. E. of approx. SW. cor. sec. 4, T24N, R12W; 33.0 ft. N. of C/L OK. Hwy. #45; 17.0 ft. S. of fence; 665.6 ft. E. of RR. USC&GS & State Marker. C/L CRI&P RR W.T. about 0.25 mi. in azimuth $26^{\circ}14'02''$; C/L Carmen Muni. W.T. about 1 mi. in azimuth $271^{\circ}16'42''$.
- X-1,856,954.76 Y-575,171.71 El. 1329.230 ft.
 8-D-24 TT 1934; Alfalfa Co., 1.0 mi. W. of Carmen; 0.5 mi. W. of approx. NE. cor. sec. 10, T24N, R12W; 48.0 ft. S. of C/L OK. Hwy. #45; 2.0 ft. N. of fence. 24.0 ft. W. of N-S fence cor. USC&GS & State Marker. C/L CRI&P RR W. T. about 1 mi. in azimuth $76^{\circ}39'31''$; C/L Carmen Muni. W.T. about 0.5 mi. in azimuth $270^{\circ}51'31''$.
- X-1,861,662.36 Y-575,048.45 El. 1332.383 ft.
 8-D-25 TT 1934; Carmen, Alfalfa Co., in sec. 10, T24N, R12W; 32.0 ft. W. of C/L N-S road; 10.0 ft. S. of S. edge of house about 54.0 ft. W. from monument; 1.0 mi. S. of OK. Hwy. #45. USC&GS & State Marker. C/L Carmen Muni. W.T. about 0.5 mi. in azimuth $179^{\circ}36'29''$; C/L vent on barn about 0.4 mi. in azimuth $356^{\circ}16'39''$.
- X-1,864,269.77 Y-572,317.98 El. 1334.879 ft.
 8-D-26 TT 1934; Alfalfa Co., 0.65 mi. S. of Carmen; 0.65 mi. S. of approx. NE. cor. sec. 11, T24N, R12W; 47.0 ft. W. of C/L OK. Hwy. #8; 3.0 ft. E. of fence & 0.1 mi. S. of RR. USC&GS & State Marker. C/L Carmen Muni. W.T. about 1 mi. in azimuth $122^{\circ}59'54''$.
- X-1,869,509.11 Y-571,596.74 El. 1344.829 ft.
 8-D-27 TT 1934; Alfalfa Co., 1.5 mi. S. of Carmen; 0.65 mi. S. of approx. NW. cor. sec. 13, T24N, R12W; 45.0 ft. E. of C/L OK. Hwy. #8; 5.0 ft. W. of fence. USC&GS & State Marker. C/L Aline Muni. W.T. about 3 mi. in azimuth $07^{\circ}38'53''$; C/L Carmen Muni. W.T. about 2 mi. in azimuth $148^{\circ}31'53''$.
- X-1,869,583.78 Y-566,299.09 El. 1312.034 ft.
 8-D-28 TT 1934; Alfalfa Co., 2.5 mi. S. of Carmen; 3593.9 ft. S. of approx. NE. cor. sec. 23, T24N, R12W; 46.0 ft. W. of C/L OK. Hwy. #8; 4.0 ft. E. of fence S. of Eagle Chief Creek Bridge. USC&GS & State Marker. C/L Aline Muni. W.T. in azimuth $10^{\circ}50'36''$; C/L E. gable on tower roof of stucco house about 1.2 mi. in azimuth $105^{\circ}36'36''$.
- X-1,869,481.42 Y-560,915.29 El. 1297.679 ft.
 8-D-29 TT 1934; Alfalfa Co., 3.5 mi. S. of Carmen & 0.5 mi. N. of Aline; 1101.0 ft. N. of approx. SW. cor. sec. 25, T24N, R12W; 46.0 ft. E. of C/L OK. Hwy. #8; 4.0 ft. W. of fence. USC&GS & State Marker. C/L chimney on Aline brick schoolhouse in azimuth $12^{\circ}11'23''$; C/L Aline Muni. W.T. in azimuth $23^{\circ}15'36''$.
- X-1,869,552.16 Y-555,082.79 El. 1292.052 ft.
 8-D-30 TT 1934; Alfalfa Co., In Aline; 37.0 ft. S. of C/L Main St. NW. of CRI&P RR depot; in sec. 35, T24N, R12W; 52.0 ft. W. of C/L OK. Hwy. #8; USC&GS & State Marker. C/L chimney on Aline brick schoolhouse in azimuth $106^{\circ}43'27''$; C/L chimney on CRI&P RR depot in azimuth $351^{\circ}04'40''$.
- X-1,869,413.42 Y-550,559.66 El. 1286.157 ft.

8-D-31 TT 1934; Alfalfa Co., In Aline; in sec.1, T23N, R12W; 47.0 ft. E. of C/L OK.Hwy.#8; W. of CRI&P RR; 3.0 ft. W. of R/W fence. USC&GS & State Marker. C/L Aline Muni. W.T. in azimuth 152°09'55"; C/L point of S.gable on barn about 0.9 mi. in azimuth 216°32'25".

X-1,869,512.39 Y-546,112.77 El. 1284.627 ft.

8-D-32 TT 1934; Alfalfa Co., 1.8 mi. S. of Aline; 150.0 ft. N. of the approx. SE. cor. sec. 11, T23N, R12W; 50.0 ft. W. of C/L OK.Hwy.#8. USC&GS & State Marker. C/L Aline Muni. W.T. in azimuth 168°47'56"; C/L chimney on 2 story house about 0.1 mi. in azimuth 278°21'34".

X-1,869,394.02 Y-540,068.87 El. 1277.674 ft.

8-D-33 TT 1934; Alfalfa Co. 4.0 mi. N. of Cleo Springs; 2742.0 ft. S. of approx. NW. cor. sec. 13, T23N, R12W; 2.5 ft. W. of fence; 44.0 ft. E. of C/L OK.Hwy.#8. USC&GS & State Marker. C/L point of E.gable on barn about 0.25 mi. in azimuth 06°53'20"; C/L chimney on 1½ story house about 1.2 mi. in azimuth 350°06'10".

X-1,869,473.45 Y-535,447.03 El. 1274.684 ft.

8-D-34 TT 1934; Major Co., 2.5 mi. N. of Cleo Springs; 2035.0 ft. S. of approx. NE. cor. sec. 23, T23N, R12W; 28.0 ft. W. of C/L OK.Hwy.#8; 3.0 ft. E. of fence. USC&GS & State Marker. C/L point of E.gable on barn about 0.19 mi. in azimuth 163°22'37"; C/L chimney on 1½ story house about 0.27 mi. in azimuth 281°19'32".

X-1,869,380.95 Y-530,873.19 El. 1284.595 ft.

8-D-35 TT 1934; Major Co., 2.0 mi. N. of Cleo Springs; in sec. 25, T23N, R12W; 44.0 ft. E. of C/L OK.Hwy.#8; 7.2 ft. W. of fence W. of CRI&P RR. USC&GS & State Marker. C/L chimney on house about 1.2 mi. in azimuth 189°28'10"; C/L pipe chimney on 1 story house about 0.12 mi. in azimuth 262°51'25".

X-1,869,431.48 Y-525,447.22 El. 1257.583 ft.

8-D-36 TT 1934; Major Co., 0.5 mi. N. of Cleo Springs; 2177.0 ft. S. of approx. NW. cor. sec. 36, T23N, R12W; 335.0 ft. S. of SE. end of crooked bridge over Eagle Chief Creek. USC&GS & State Marker. C/L point of N.gable on 1 story house about 3 mi. in azimuth 11°38'13"; C/L point of E.gable on grain elevator in Cleo Springs in azimuth 357°05'46".

X-1,869,407.02 Y-520,161.84 El. 1250.780 ft.

8-D-37 TT 1934; Cleo Springs, Major Co., 1060.0 ft. S. of N. line sec. 1, T22N, R12W; 107.0 ft. E. of C/L OK.Hwy.#8; 126.0 ft. W. of W. rail of CRI&P RR; 2.0 ft. N. of cross fence. USC&GS & State Marker. C/L ventilator on barn about 0.1 mi. in azimuth 117°06'27"; C/L point of W.gable on CRI&P section house about 0.04 mi. in azimuth 339°32'57".

X-1,869,455.95 Y-516,014.22 El. 1242.988 ft.

8-D-38 TT 1934; Major Co., 0.5 mi. W. of Cleo Springs; in approx. SW. SE. sec. 2, T22N, R12W; in W.E. Orley farm lot. USC&GS & State Marker. C/L ventilator on barn about 0.7 mi. in azimuth 203°34'14"; C/L point of W.gable on grain elevator in Cleo Springs in azimuth 225°30'27".

X-1,867,204.53 Y-512,175.16 El. 1243.595 ft.

8-D-39 TT 1934; Major Co., 0.5 mi. S. & 0.5 mi. W. of Cleo Springs; in sec. 11, T22N, R12W; 3.0 ft. E. of R/W fence; 47.0 ft. W. of W. rail CRI&P RR near MP.#57-20. USC&GS & State Marker. C/L highest chimney on 2 story house about 0.6 mi. in azimuth 17°53'41"; C/L SE. cor. Cleo Springs brick school in azimuth 235°48'51".

X-1,867,456.15 Y-509,510.99 El. 1234.501 ft.

8-D-40 TT 1934; Major Co., 1.0 mi. S. & 0.75 mi. W. of Cleo Springs; 610.0 ft. S. of N. line in approx. NW¼ sec. 14, T22N, R12W; 40.7 ft. W. of W. rail of CRI&P RR; 8.5 ft. E. of R/W fence near MP.#57-15. USC&GS & State Marker. C/L highest chimney on 2 story house about 0.16 mi. in azimuth 144°41'58"; C/L chimney on filling sta. about 0.8 mi. in azimuth 257°54'18".

X-1,866,866.75 Y-506,031.75 El. 1235.202 ft.

8-D-41 TT 1934; Major Co., 2.0 mi. S. & 1.0 mi. W. of Cleo Springs; in sec. 23, T22N, R12W; on line with C/L of RR bridge; 1163.0 ft. NE. of end of RR bridge on sand dune. USC&GS & State Marker. C/L AT&SF RR W.T. in Fairview in azimuth 13°32'53"; C/L point of W.gable on N. grain elevator in

Oriente in azimuth $54^{\circ}34'48''$.

X-1,867,772.54 Y-500,906.32 El. 1231.098 ft.

8-D-42 TT 1934; Major Co., 6.5 mi.N. & 1.0 mi.E. of Fairview; in sec. 23, T22N, R12W; on tangent to CRI&P RR bridge over Cimarron River; 2.0 ft.E. of W.R/W fence; 194.0 ft.NE. of C/L road common to sec. 22 & 23. USC&GS & State Marker. C/L E.gable on barn about 0.8 mi. in azimuth $36^{\circ}48'20''$; C/L point of W.gable on S.grain elevator in Oriente in azimuth $50^{\circ}41'52''$.

X-1,864,140.28 Y-498,743.19 El. 1233.604 ft.

8-D-43 TT 1934; Major Co., 6.5 mi.N. of Fairview; in sec. 22, T22N, R12W; 47.0 ft.N. of C/L US.Hwy.#60; 4.0 ft.E. of W. edge of house; 3.0 ft. S. of fence; in front of O.Bennet's house. USC&GS & State Marker. C/L point of W.gable on S.grain elevator in Oriente in azimuth $62^{\circ}17'14''$; C/L chimney on AT&SF depot in Oriente in azimuth $67^{\circ}49'57''$.

X-1,862,413.95 Y-496,345.45 El. 1241.336 ft.

8-D-44 TT 1934; Major Co., 6.0 mi.N. of Fairview; 3648.0 ft.N. of S. line sec. 22, T22N, R12W; 54.5 ft.W. of C/L US.Hwy.#60; 3.0 ft.W. of E.RR R/W fence; 76.0 ft.E. of main CRI&P RR track. USC&GS & State Marker. C/L ventilator on barn about 1.2 mi. in azimuth $07^{\circ}19'13''$; C/L chimney on AT&SF RR depot in Oriente in azimuth $187^{\circ}20'45''$.

X-1,860,036.34 Y-494,467.63 El. 1243.882 ft.

8-D-45 TT 1934; Major Co., 4.0 mi.N. of Fairview; 2530.0 ft.N. of S. line sec. 34, T22N, R12W; 65.0 ft.W. of C/L US.Hwy.#60. USC&GS & State Marker. C/L point of E.gable on German Church about 0.5 mi. in azimuth $175^{\circ}55'03''$; C/L ventilator on barn about 0.1 mi. in azimuth $313^{\circ}03'13''$.

X-1,858,855.32 Y-488,091.74 El. 1288.534 ft.

8-D-46 TT 1934; Major Co., 3.5 mi.N. of Fairview; 2014.0 ft.S. of approx. NW. cor. sec. 4, T21N, R12W; on R/W of AT&SF RR. USC&GS & State Marker. C/L knob on AT&SF RR W.T. in azimuth $00^{\circ}22'43''$; C/L W. chimney on $1\frac{1}{2}$ story house about 0.19 mi. in azimuth $297^{\circ}22'23''$.

X-1,858,017.91 Y-483,574.54 El. 1312.979 ft.

8-D-47 TT 1934; Major Co., 3.0 mi.N. of Fairview; 22.0 ft.S. of N. line sec. 9, T21N, R12W; 3.0 ft.N. of E-W fence; 593.5 ft.W. of C/L AT&SF RR track; 1363.5 ft.W. of C/L OK.Hwy.#8 & US.Hwy.#60. USC&GS & State Marker. C/L chimney on $1\frac{1}{2}$ story house about 0.8 mi. in azimuth $206^{\circ}59'44''$; C/L knob on AT&SF W.T. in Fairview in azimuth $358^{\circ}49'54''$.

X-1,857,440.92 Y-480,323.91 El. 1280.880 ft.

8-D-48 TT 1934; Major Co., 2.0 mi.N. of Fairview; 40.0 ft.N. of C/L sec. 9, T21N, R12W; 2.0 ft.S. of E-W fence; 1414.0 ft.W. of C/L AT&SF RR; 2111.4 ft.W. of C/L OK.Hwy.#8 & US.Hwy.#60. USC&GS & State Marker. C/L chimney on church about 0.9 mi. in azimuth $127^{\circ}16'00''$; C/L Fairview Muni. W.T. in azimuth $352^{\circ}54'15''$.

X-1,856,667.49 Y-475,122.32 El. 1268.137 ft.

8-D-49 TT 1934; Major Co., 1.0 mi.N. of Fairview; 28.0 ft.N. of S. line & 167.0 ft.E. of approx. SW. cor. sec. 16, T21N, R12W; 2.0 ft.N. of E-W fence. USC&GS & State Marker. C/L chimney on German Church about 1.25 mi. in azimuth $178^{\circ}42'27''$; C/L knob on AT&SF RR W.T. in Fairview in azimuth $336^{\circ}52'52''$.

X-1,853,550.77 Y-469,862.01 El. 1320.713 ft.

7-D-36 TT 1934; Junction Station. See Traverse 7-D.

Traverse 8-E

Harper, Woodward, Woods, Alfalfa, Garfield, & Grant Co's.

10-F-4 TT 1936 to 8-A-21 TT 1934

North Projection

10-F-4 TT 1935; Junction Station. See Traverse 10-F.

8-E-1 TT 1936; Harper Co., 5.0 mi.NW. of Supply, via OK.Hwy.#34; 1511.0 ft.E. of C/L which is approx. SW. cor. sec. 18, T25N, R22W; 40.0 ft.N. of C/L Co. road; 1.0 ft.N. of N.R/W fence. OSCC Marker. C/L E.gable on

farmhouse about 6.0 mi. in azimuth $31^{\circ}11'02''$; C/L largest W.T. at Ft. Supply Hospital in azimuth $325^{\circ}47'06''$; C/L Town W.T. at Supply in azimuth $333^{\circ}44'22''$; C/L W.T. at Ft. Supply Dam in azimuth $339^{\circ}20'32''$.

X-1, 526, 207.37 Y-600, 006.52 El. 2142.075 ft.

8-E-2 TT 1938; Harper Co., 4.3 mi. N. & 0.3 mi. W. of Supply; 3.0 ft. S. & 756.0 ft. E. of approx. NW. cor. sec. 21, T25N, R22W; 2.0 ft. S. of S.R/W fence. OSCC Marker. C/L N. gable on house about 4.0 mi. in azimuth $45^{\circ}14'46''$; C/L W. gable on house about 0.5 mi. in azimuth $265^{\circ}12'26''$; C/L largest W.T. at Ft. Supply Hospital in azimuth $344^{\circ}11'21''$.

X-1, 536, 097.20 Y-599, 731.04 El. 2174.199 ft.

8-E-3 TT 1938; Harper Co., 4.3 mi. N. & 0.9 mi. E. of Supply; 25.0 ft. N. & 1242.0 ft. E. of approx. SW. cor. sec. 15, T25N, R22W; 3.0 ft. N. of N.R/W fence of blind sec. line road. OSCC Marker. C/L chimney on house on horizon about 7.0 mi. in azimuth $120^{\circ}10'01''$; C/L S. gable on 2 story house about 3.0 mi. in azimuth $221^{\circ}19'01''$; C/L small W.T. at Ft. Supply Hospital in azimuth $352^{\circ}53'46''$; C/L largest W.T. at Ft. Supply Hospital in azimuth $357^{\circ}39'41''$.

X-1, 541, 661.54 Y-599, 734.16 El. 2214.656 ft.

8-E-4 TT 1938; Harper Co., 3.7 mi. N. & 1.6 mi. E. of Supply; 1700.0 ft. N. & 530.0 ft. E. of approx. SW. cor. sec. 23, T25N, R22W; T-road N. thru gate on highest point of N-S sandy ridge. OSCC Marker. C/L small W.T. at Ft. Supply Hospital in azimuth $04^{\circ}28'22''$; C/L Ft. Supply dam W.T. in azimuth $18^{\circ}16'50''$; C/L chimney on Kibby School house about 4.0 mi. in azimuth $179^{\circ}57'20''$. C/L chimney on farmhouse about 3.0 mi. in azimuth $253^{\circ}36'22''$; C/L Woodward Storage tank in azimuth $316^{\circ}21'20''$.

X-1, 546, 162.81 Y-596, 006.43 El. 2190.813 ft.

Cooper Tri. Sta., (Harper Co., C.I.A. 1934) Located about 4.25 mi. N. & 1.5 mi. E. of Supply; in approx. SE sec. 14, T25N, R22W: 0.5 mi. NE of Shafer ranch house; on N. end of long grassy ridge where it drops sharply to N. about 120.0 ft. N. of E-W fence line. Reached from Supply P.O. by going E. 0.2 mi. on US Hwy. #270, thence N. across RR tracks 0.2 mi. to bridge over Beaver Creek; continue N. 3.2 mi. to road E., thence 1.1 mi. to gate in N. row fence line. Turn N. on prairie road for 0.5 mi. to cattle guard & gate in fence; pass thru fence & continue N. 0.3 mi., thence E. 0.25 mi. to entrance to barn lot of Shafer ranch; turn N. thru gate on W. side of hedge fence & go 0.2 mi., thence E. thru gate for 0.15 mi. to another gate, pass thru gate & go 0.1 mi. E. NE. to highest ground & sta. Station, underground, reference & azimuth marks are bronze tablets set in conc. as described in notes 1a, 7a, & 11a.

X-1, 549, 630.15 Y-599, 746.62 El. 2202.574 ft.

R.M. #1 is (55.865 m.) 183.29 ft. SE. of Sta. set in E-W fence line in azimuth $323^{\circ}39'56''$. El. 2199.552 ft.

R.M. #2 is (41.686 m.) 136.76 ft. SW. of sta. set in same fence as #1 in azimuth $44^{\circ}46'55''$. El. 2200.979 ft.

Distance from R.M. #1 to R.M. #2 is 64.330 m.
C/L hospital at Supply in azimuth $11^{\circ}59'55''$; C/L tank at Supply in azimuth $88^{\circ}55'12''$. Azimuth mark is about 0.5 mi. distant to W., reached from Shafer house by going W. 0.15 mi. to fence cor., thence N. 0.2 mi., thence N. NW. 0.1 mi. to mark which is on a projecting finger of ridge, 66.0 ft. W. of E. edge of rim; 32.0 ft. E. of W. edge of rim, about 0.5 mi. in azimuth $85^{\circ}29'44''$. El. 2174.035 ft.

8-E-5 TT 1938; Harper Co., 3.3 mi. N. & 2.35 mi. E. of Supply; 30.0 ft. S. & 821.0 ft. W. of approx. NE. cor. sec. 26, T25N, R22W; 5.0 ft. S. of S.R/W fence of Co. road. OSCC Marker. C/L largest W.T. at Ft. Supply Hospital in azimuth $22^{\circ}06'18''$; C/L chimney on house about 1.5 mi. in azimuth $236^{\circ}33'18''$; C/L W. gable on Willard U.B. Church about 9.0 mi. in azimuth $288^{\circ}50'22''$; C/L Woodward Storage Tank in azimuth $317^{\circ}48'35''$.

X-1, 550, 162.89 Y-594, 375.81 El. 2157.629 ft.

8-E-6 TT 1938; Harper Co., 3.3 mi. N. & 3.0 mi. E. of Supply; 33.0 ft. N. & 75.0 ft. E. of approx. S $\frac{1}{2}$ cor. sec. 24, T25N, R22W; 2.5 ft. N. of N.R/W fence of Co. road. OSCC Marker. C/L large W.T. at Ft. Supply Hospital in

Traverse in Northwestern Oklahoma

- azimuth $31^{\circ}00'36''$; C/L S.gable on 2 story house about 0.75 mi.in azimuth $218^{\circ}38'23''$; C/L N.gable on house about 1.5 mi.in azimuth $292^{\circ}46'48''$.
 X-1,553,705.73 Y-594,256.68 El. 2144.333 ft.
 8-E-7 TT 1938; Harper Co., 3.3 mi.N.& 4.0 mi.E.of Supply; 23.0 ft. S.& 359.0 ft.E.of approx. $N\frac{1}{4}$ cor.sec.30,T25N,R21W; 3.0 ft.N.of S. R/W fence of Co.road; 126.0 ft.W.of cross fence N. OSCC Marker. C/L largest W.T.at Ft.Supply Hospital in azimuth $42^{\circ}42'45''$; C/L S.chimney on stone house about 3.0 mi.in azimuth $269^{\circ}43'50''$; C/L W.gable on D.E.Swartz barn about 1.5 mi.in azimuth $298^{\circ}06'05''$.
 X-1,559,454.38 Y-594,058.99 El. 2130.625 ft.
 8-E-8 TT 1938; Harper Co., 3.3 mi. N. & 5.0 mi.E. of Supply; 24.0 ft. N. & 375.0 ft.W. of approx. $S\frac{1}{4}$ cor.sec. 20, T25N,R21W; 1.5 ft. S. of N. R/W fence of Co. road. OSCC Marker. C/L S. gable on 2 story farmhouse about 2.0 mi. in azimuth $130^{\circ}45'20''$; C/L S. chimney on stone house about 2.0 mi. in azimuth $269^{\circ}36'40''$; C/L W. gable on barn about 2.0 mi. in azimuth $310^{\circ}59'50''$.
 X-1,564,032.27 Y-594,060.33 El. 2108.320 ft.
 8-E-9 TT 1938; Harper Co., 3.3 mi.N.& 7.0 mi.E.of Supply; 48.0 ft. S.& 942.0 ft.W.of approx. $N\frac{1}{4}$ cor.sec.27,T25N,R21W; 1.5 ft.N.of S. R/W fence of Co.road; 800.0 ft.W.of bend to SE.of Co.road. OSCC Marker. C/L N.gable on $1\frac{1}{2}$ story house in azimuth $34^{\circ}25'56''$; C/L SW.cor.S.chimney on stone house about 0.08 mi.in azimuth $124^{\circ}47'26''$; C/L S.chimney on "L" shaped house about 0.25 mi.in azimuth $160^{\circ}10'06''$. C/L NW.cor. of rock church about 3.0 mi.in azimuth $319^{\circ}32'46''$.
 X-1,574,568.53 Y-593,894.52 El. 2064.762 ft.
 8-E-10 TT 1938; Harper Co., 2.0 mi.N.& 8.0 mi.E.of Supply; 1174.0 ft.S.of approx. $N\frac{1}{4}$ cor.sec.35,T25N,R21W; 1.5 ft.E.of N-S cross fence on top of sage brush clad sand hill in pasture. OSCC Marker. C/L chimney on 1 story sq.rock house about 0.75 mi.in azimuth $218^{\circ}55'03''$; C/L chimney on 1 story sq.house about 0.62 mi.in azimuth $252^{\circ}41'00''$; C/L E.chimney on schoolhouse about 5.0 mi.in azimuth $293^{\circ}48'28''$.
 X-1,580,167.07 Y-587,431.59 El. 2097.590 ft.
 8-E-11 TT 1938; Harper Co., 3.0 mi.N.& 9.5 mi.E.of Supply; 563.0 ft.N.& 25.0 ft.W.of approx. $E\frac{1}{4}$ cor.sec.25,T25N,R21W; 2.0 ft.E.of W.R/W fence of Co.road. OSCC Marker. C/L W.chimney on 1 story house about 0.5 mi.in azimuth $07^{\circ}21'37''$; C/L W.chimney on 1 story T-shaped house about 2.0 mi.in azimuth $105^{\circ}01'33''$; C/L chimney on sq.1 story house about 1.5 mi.in azimuth $181^{\circ}51'45''$.
 X-1,588,098.96 Y-591,769.30 El. 2070.019 ft.
 8-E-11-A TT 1938; Harper Co., 4.2 mi.N.& 9.5 mi.E.of Supply; 660.0 ft.S.& 246.0 ft.W.of approx.NE.cor.sec.24,T25N,R21W; 356.0 ft.NW.of bend to NW.of Co.road; 3.0 ft.W.of W.R/W fence; 36.0 ft.SE.of guyed fence post by ruins of rock cabin. OSCC Marker. C/L W.chimney on 1 story T-shaped house about 2.0 mi.in azimuth $77^{\circ}54'39''$; C/L chimney on 1 story box house about 0.5 mi.in azimuth $190^{\circ}31'31''$; C/L E.chimney on $1\frac{1}{2}$ story T-shaped house about 1.5 mi.in azimuth $325^{\circ}50'34''$.
 X-1,587,986.20 Y-598,563.22 El. 2084.768 ft.
 Parker Tri.Sta., (Harper Co., C.I.A. 1934) Approx. 9.5 mi.E.& 6.0 mi.N.of Supply; in approx. $SW\frac{1}{4}$ sec.7,T25N,R20W; in pasture land on a long flat ridge which runs N-S. Land owned by Stella D.Bramer, rented by Mr.Parker who lives at foot of ridge about 0.5 mi.NE.of sta. Reached from Supply by going SE.on OK.Hwy.#34; 0.15 mi.from P.O., to dirt road N., thence N.on dirt road for 3.5 mi.to top of ridge & dirt road E., thence E. 7.25 mi., thence S. 1.0 mi., thence E. 2.0 mi., thence N. 3.3 mi.to a "T" fork in road; Turn E.for 0.4 mi.to a fence cor.on left; turn N.following on W.side of fence for 0.2 mi., take down fence & go NE. 0.1 mi.to highest ground & sta., Sta., underground, reference & azimuth marks are bronze tablets set in conc.as described in notes 1a, 7a, & 11a.
 X-1,589,047.69 Y-606,437.90 El. 2128.054 ft.
 R.M.#1 is 12.105 m. (39.72 ft.) S.of sta.about 100.0 ft.W.of E.edge of

- bluff in azimuth $326^{\circ}41'02''$. El. 2127.960 ft.
 R.M.#2 is 22,051 m. (72.35 ft.) W. of sta. set in open pasture land in
 azimuth $80^{\circ}30'47''$. El. 2126.427 ft.
 C/L tank at Buffalo in azimuth $134^{\circ}48'51''$. Azimuth mark is about 0.5 mi.
 distant, reached by going SW. & S. for 0.3 mi. to fence cor. mentioned
 above, thence E. 0.1 mi., thence S. 0.1 mi. to point where road turns E.,
 Mark is in N. row fence line; 21.0 ft. N. of E-W road; 10.0 ft. E. of fence
 cor., 30.0 ft. E. of C/L N-S road about 0.5 mi. in azimuth $03^{\circ}28'32''$; C/L
 chimney on 2 story house about 2.0 mi. in azimuth $02^{\circ}45'15''$.
 X-1,588,895.40 Y-603,930.59 El. 2100.851 ft.
 8-E-12 TT 1938; Harper Co., 2.5 mi. N. & 10.0 mi. E. of Supply; 35.0
 ft. N. & 192.0 ft. E. of approx. $S\frac{1}{4}$ cor. sec. 30, T25N, R20W; 3.0 ft. N. of N.R/W
 fence Tp. road on sand knoll. OSCC Marker. C/L W. chimney on house about
 0.5 mi. in azimuth $97^{\circ}03'27''$; C/L chimney on house about 0.5 mi. in azi-
 muth $267^{\circ}18'42''$; C/L chimney on sq. house about 1.0 mi. in azimuth 331°
 $55'12''$.
 X-1,591,038.04 Y-588,562.84 El. 2075.457 ft.
 8-E-13 TT 1938; Harper Co., 1.4 mi. N. & 11.6 mi. E. of Supply; 10.5
 mi. N. & 1.5 mi. E. of Woodward; 535.0 ft. N. & 727.0 ft. E. of approx. SW. cor.
 sec. 33, T25N, R20W; atop prominent sand knoll covered with sage brush;
 0.6 mi. E. of unnamed schoolhouse. OSCC Marker. C/L W. chimney on 1 story
 house about 1.0 mi. in azimuth $07^{\circ}27'30''$; C/L chimney on schoolhouse
 about 0.62 mi. in azimuth $83^{\circ}22'42''$; C/L chimney on 1 story stucco house
 about 1.0 mi. in azimuth $273^{\circ}24'37''$.
 X-1,599,465.62 Y-583,711.57 El. 2077.434 ft.
 8-E-14 TT 1938; Woodward Co., 10.5 mi. N. & 2.6 mi. E. of Woodward;
 28.5 ft. S. & 375.0 ft. E. of approx. $N\frac{1}{2}$ cor. sec. 4, T24N, R20W; 1.5 ft. N. of N.
 R/W fence of Co. road; approx. 500.0 ft. SE. of stucco farmhouse. OSCC
 Marker. C/L E. chimney on 1 story house about 0.75 mi. in azimuth $39^{\circ}42'$
 $51''$; C/L chimney on house about 0.19 mi. in azimuth $114^{\circ}27'21''$; C/L chim-
 ney on sq. 1 story house about 1.0 mi. in azimuth $299^{\circ}59'26''$.
 X-1,605,585.44 Y-583,183.69 El. 2083.450 ft.
 8-E-15 TT 1938; Harper Co., 10.5 mi. N. & 4.1 mi. E. of Woodward; 30.5
 ft. N. & 366.0 ft. E. of approx. $S\frac{1}{2}$ cor. sec. 35, T25N, R20W; 1.5 ft. S. of N.R/W
 fence dead ending Tp. road. OSCC Marker. C/L chimney on church house
 about 2.0 mi. in azimuth $02^{\circ}33'22''$; C/L chimney on house about 0.75 mi.
 in azimuth $20^{\circ}24'55''$; C/L chimney on sq. house about 1.0 mi. in azimuth
 $294^{\circ}15'35''$.
 X-1,613,551.03 Y-583,179.98 El. 2154.422 ft.
 8-E-16 TT 1938; Harper Co., 10.6 mi. N. & 5.6 mi. E. of Woodward; from
 approx. NE. cor. sec. 1, T24N, R20W, go E. on sec. line trail 0.2 mi., thence
 NE. on winding trail 0.1 mi. to gate in N-S fence; thence E. 0.1 mi. to
 point where main trail turns NE., take dim trail E. 0.1 mi. to top of
 minor knoll; monument is 25.0 ft. to right of trail on highest point.
 reference post is set 4.0 ft. N. of monument. C/L S. gable on house about
 2.0 mi. in azimuth $176^{\circ}33'47''$; C/L chimney on 1 story sq. topped house
 about 6.0 mi. in azimuth $227^{\circ}29'27''$; C/L stove pipe chimney on 1 story
 house about 1.5 mi. in azimuth $322^{\circ}42'05''$.
 X-1,621,009.54 Y-583,657.64 El. 2143.023 ft.
 8-E-17 TT 1938; Woodward Co., 10.0 mi. N. & 7.8 mi. E. of Woodward;
 150.0 ft. S. & 342.0 ft. E. of approx. NW. cor. sec. 5, T24N, R19W; monument is
 on highest rocky point in range of butte known as Hay Stack Butte. OSCC
 Marker. C/L stove pipe chimney on 1 story house about 1.0 mi. in azimuth
 $35^{\circ}31'57''$; C/L S. gable on 1 story house about 3.5 mi. in azimuth $158^{\circ}49'$
 $47''$; C/L sq. topped house about 1.5 mi. in azimuth $293^{\circ}32'12''$.
 X-1,629,853.71 Y-582,727.13 El. 2097.569 ft.
 8-E-18 TT 1938; Woodward Co., 10.6 mi. N. & 7.4 mi. E. of Woodward;
 approx. 1600.0 ft. N. & approx. 200.0 ft. W. of approx. $E\frac{1}{2}$ cor. sec. 33, T25N,
 R19W; on top of badger hill on N. edge of cultivated field; 110.0 ft. W.
 of W.R/W fence of Co. road; 160.0 ft. N. of cross fence to W. OSCC Marker.
 C/L W. chimney on house on horizon about 4.0 mi. in azimuth $18^{\circ}58'53''$;

- C/L chimney on sq.topped house about 2.0 mi.in azimuth $201^{\circ}32'30''$.
 X-1,635,536.60 Y-585,137.69 El. 2007.029 ft.
 8-E-19 TT 1938; Woodward Co., 13.5 mi.N.& 8.6 mi.E.of Woodward;
 177.0 ft.N.& 1592.0 ft.E.of approx.SW.cor.sec.15,T25N,R19W; 147.0 ft.N.
 of N.R/W fence of Co.road; 2.0 ft.W.of cross fence N. OSCC Marker. C/L
 chimney on schoolhouse about 1.5 mi.in azimuth $90^{\circ}05'08''$; C/L chimney
 on 1 story house about 1.0 mi.in azimuth $228^{\circ}52'11''$; C/L tip of dome on
 church house about 1.5 mi.in azimuth $303^{\circ}54'28''$.
 X-1,639,300.16 Y-598,677.49 El. 1908.441 ft.
 8-E-20 TT 1938; Woodward Co., 12.0 mi.N.& 9.0 mi.E.of Woodward;
 0.5 mi.S.& 0.3 mi.W.of Freezeout Schoolhouse; 192.0 ft.N.& 216.0 ft.E.
 of approx.W $\frac{1}{4}$ cor.sec.26,T25N,R19W; 429.0 ft.W.of N-S fence on top of N.
 end of land table butte at sky line. OSCC Marker. C/L chimney on school
 house about 2.5 mi.in azimuth $119^{\circ}34'54''$; C/L chimney on Freezeout
 schoolhouse about 0.5 mi.in azimuth $230^{\circ}42'56''$; C/L steeple on church
 about 1.0 mi.in azimuth $242^{\circ}14'29''$.
 X-1,641,416.06 Y-591,127.80 El. 2055.058 ft.
 8-E-21 TT 1938; Woodward Co., 11.0 mi.N.& 9.5 mi.E.of Woodward;
 approx. 1000.0 ft.S.of approx.N $\frac{1}{4}$ cor.sec.35,T25N,R19W; approx. 40.0 ft.
 S.of most northerly point of minature mesa; approx. 300.0 ft.E.of C/L
 OK.Hwy.#50 at curve to SW.top of mesa. OSCC Marker. C/L chimney on
 schoolhouse about 3.0 mi.in azimuth $125^{\circ}23'49''$; C/L chimney on Freezeout
 schoolhouse about 0.75 mi.in azimuth $182^{\circ}40'01''$; C/L belfry on church
 about 1.25 mi.in azimuth $202^{\circ}30'11''$.
 X-1,643,894.45 Y-587,461.01 El. 2091.327 ft.
 8-E-22 TT 1938; Woodward Co., 12.5 mi.N.& 12.5 mi.E.of Woodward;
 0.5 mi.N.& 0.4 mi.W.of Dillon schoolhouse; 32.0 ft.S.& 420.0 ft.E.of
 approx.N $\frac{1}{4}$ cor.sec.30,T25N,R18W; 2.0 ft.S.of S.R/W fence of Co.road; 2.0
 ft.E.of E.yard fence of T.A.Hensley stucco farmhouse. OSCC Marker. C/L
 chimney on house on horizon about 3.0 mi.in azimuth $112^{\circ}55'30''$; C/L
 chimney on house about 1.75 mi.in azimuth $231^{\circ}19'07''$; C/L belfry on
 Dillon schoolhouse about 0.75 mi.in azimuth $320^{\circ}23'07''$.
 X-1,660,124.85 Y-593,133.83 El. 1793.768 ft.
 BM # 141; Woodward Co., on SE.cor.approx.NE $\frac{1}{4}$ sec.29,T25N,R18W;
 chiseled sq.on N.edge of 7 x 3 ft.conc.step of Dillon schoolhouse.
 El. 1787.574 ft.
 EFS 1938; Woodward Co., 0.25 mi.E.of approx.SW.cor.sec.28,T25N,
 R18W; RR spike in top of a 12" wood pile in NW.wingwall of about 35.0
 ft.wood pile bridge. El. 1691.447 ft.
 8-E-23 TT 1938; Woodward Co., 11.6 mi.N.& 14.8 mi.E.of Woodward;
 536.0 ft.N.& 729.0 ft.W.of approx.SE.cor.sec.28,T25N,R18W; on top of
 lone dwarf castle butte. OSCC Marker. C/L tip belfry on Dillon school
 house about 2.0 mi.in azimuth $103^{\circ}07'56''$; C/L chimney on house about 2.0
 mi.in azimuth $177^{\circ}39'03''$; C/L chimney on 1 story house about 0.75 mi.in
 azimuth $224^{\circ}10'43''$.
 X-1,672,132.81 Y-588,312.68 El. 1815.849 ft.
 8-E-24 TT 1938; Woodward Co., 11.5 mi.N.& 15.0 mi.E.of Woodward;
 141.0 ft.S.& 302.0 ft.W.of approx.N $\frac{1}{4}$ cor.sec.34,T25N,R18W; on highest
 point of dome bluff in NE-SW.chain. OSCC Marker. C/L belfry on Dillon
 schoolhouse in azimuth $105^{\circ}17'09''$; C/L chimney on 1 story house about
 0.75 mi.in azimuth $204^{\circ}34'52''$; C/L S.chimney on T-shaped house about
 0.75 mi.in azimuth $265^{\circ}19'54''$.
 X-1,674,041.65 Y-587,393.52 El. 1871.060 ft.
 8-E-25 TT 1938; Woodward Co., 11.0 mi.N.& 15.8 mi.E.of Woodward;
 10.0 mi.N.& 3.5 mi.W.of Quinlan; 0.1 mi.S.& 0.25 mi.E.of approx. W $\frac{1}{4}$ cor.
 sec.35,T25N,R18W; on top of low grassy dome in pasture; 60.0 ft.N.of
 winding trail. OSCC Marker. C/L chimney on schoolhouse about 8.0 mi.in
 azimuth $07^{\circ}03'22''$; C/L S.chimney on T-shaped house about 0.5 mi.in azi-
 muth $155^{\circ}45'27''$; C/L chimney formation on house about 1.5 mi.in azimuth
 $256^{\circ}54'14''$.
 X-1,679,341.89 Y-584,557.09 El. 1776.924 ft.

8-E-26 TT 1938; Woodward Co., 9.0 mi.N.& 1.0 mi.W.of Quinlan; 216.0 ft.N.& 561.0 ft.E.of approx.W $\frac{1}{2}$ cor.sec.6,T24N,R17W; 189.0 ft.N.of N.R/W fence on top of gyp hill in elbow of Co.road at emergence from Chimney Creek Valley. OSCC Marker. C/L chimney on sq.1 story house about 2.5 mi. in azimuth 04°41'56"; C/L chimney on 1 story house about 1.0 mi.in azimuth 76°21'24"; C/L chimney on schoolhouse about 1.5 mi.in azimuth 146°35'29".

X-1,687,741.56 Y-579,524.17 El. 1701.953 ft.

8-E-27 TT 1938; Woodward Co., 9.0 mi.N.of Quinlan; 35.0 ft.N.& 561.0 ft.W.of approx.E $\frac{1}{2}$ cor.sec.6,T24N,R17W; 5.0 ft.N.of N.R/W fence of Co.road in pasture; 581.0 ft.W.of skew fence NE. OSCC Marker. C/L chimney on schoolhouse about 3.5 mi.in azimuth 136°38'24"; C/L stove pipe chimney on farm shack about 0.5 mi.in azimuth 244°13'39"; C/L chimney on Plainview schoolhouse about 3.0 mi.in azimuth 359°14'21".

X-1,691,381.69 Y-579,347.41 El. 1776.654 ft.

8-E-27-A TT 1938; Woodward Co., 9.5 mi.W.& 1.75 mi.S.of Waynoka; 3.0 ft.N.& 483.0 ft.W.of approx.SE.cor.NE.NE.sec.18,T24N,R17W; 3.0 ft. N.of E-W fence on knoll in pasture opposite small farm shack. OSCC Marker. C/L chimney on Plainview schoolhouse about 1.0 mi.in azimuth 357°15'28"; C/L chimney on 2 story house about 1.0 mi.in azimuth 35°34'23"; C/L chimney on house about 4.0 mi.in azimuth 307°36'36".

X-1,691,278.79 Y-570,088.24 El. 1769.214 ft.

8-E-27-B TT 1938; Woodward Co., 8.5 mi.W.& 2.5 mi.S.of Waynoka; 1110.0 ft.N.& 381.0 ft.E.of approx.SW.cor.sec.16,T24N,R17W; on top & at W.edge of prominent dome in pasture; 4.0 ft.W.of witness post; OSCC Marker. C/L chimney on Plainview schoolhouse about 1.25 mi.in azimuth 58°10'50"; C/L chimney on house about 1.25 mi.in azimuth 118°18'37"; C/L chimney on house about 3.0 mi.in azimuth 312°19'27".

X-1,697,381.62 Y-567,178.00 El. 1729.635 ft.

8-E-27-C TT 1938; Woodward Co., 9.5 mi.W.& 3.0 mi.S.of Waynoka; 163.0 ft.N.& 25.0 ft.W.of approx.E $\frac{1}{2}$ cor.sec.19,T24N,R17W; 2.0 ft.E.of W. R/W fence; 42.0 ft.N.& 41.5 ft.E.of NE.cor.of Plainview schoolhouse; 43.0 ft.S.& 2.0 ft.E.of NE.cor.of school yard. OSCC Marker. C/L chimney on 2 story house about 0.75 mi.in azimuth 91°18'45"; C/L chimney on 1 story house about 1.25 mi.in azimuth 181°52'30"; C/L chimney on stucco schoolhouse about 3.0 mi.in azimuth 285°57'38".

X-1,691,661.61 Y-563,637.65 El. 1750.631 ft.

8-E-27-D TT 1938; Woodward Co., 8.5 mi.W.& 3.5 mi.S.of Waynoka; 194.0 ft.N.& 3.0 ft.W.of approx.SE.cor.of sec.20,T24N,R17W; on side of knoll; 88.0 ft.E.of C/L of winding country lane; 3.0 ft.W.of N-S fence. OSCC Marker. C/L W.chimney on 1 story house about 6.0 mi.in azimuth 27°34'58"; C/L E.chimney on 2 story house about 1.5 mi.in azimuth 105°14'48"; C/L chimney on 1 story farmhouse about 1.75 mi.in azimuth 151°10'30".

X-1,696,918.90 Y-560,977.64 El. 1708.604 ft.

Quinlan Tri.Sta., Woodward Co., C.I.A. 1934; approx. 0.25 mi.W.of E.line & 0.12 mi.S.of N.line of approx.NE $\frac{1}{2}$ sec.5,T23N,R17W; about 3.5 mi.N.by E.of Quinlan; in an E-W fence line between cultivated fields; 105.0 ft.W.of "T" fence cor. on property of MR. C.E.Harper; To reach sta.from P.O.in Quinlan, go N.& E. on OK.Hwy.#15 for 1.95 mi.to a side road left; turn left & go 2.3 mi.N.to cross road; turn left & go 0.25 mi. to a N-S fence. Sta.is then 0.12 mi.S.& 35.0 yds.W., Surface, underground, reference & azimuth marks are bronze tablets set in conc.& described according to notes 1b, 11b, & 11a.

X-1,695,379.60 Y-549,716.70 El. 1749.622 ft.

R.M.#1 is 129.75 ft.in fence line in azimuth 230°32'06".

R.M.#2 is 122.92 ft.in fence line in azimuth 306°17'22".

Azimuth mark is 30.0 ft.E.of C/L of road; 0.05 mi.N.of driveway leading to farmhouse about 0.4 mi.in azimuth 321°55'08".

El. 1747.301 ft.

El. 1706.053 ft.

To reach from sta. go 0.12 mi.N.to road, turn right & go 0.25 mi.E., turn right & go 0.4 mi.S.to top of grade & mark is on left in fence line.

BM 205; Woodward Co., 0.3 mi.S.of approx.NE.cor.sec.8,T23N,R17W; chiseled sq.on NE.cor.of W.hdw.of 9 x 9 x 30 ft.conc.culvert.

El. 1627.735 ft.

8-E-28 TT 1938; Woodward Co., 9.0 mi.N.& 1.0 mi.E.of Quinlan; 2.5 ft.N.& 580.0 ft.E.of approx. $W\frac{1}{4}$ cor.sec.4,T24N,R17W; 2.5 ft.N.of $\frac{1}{2}$ mi. fence; 351.0 ft.E.of cross fence N. where Co.road angles SE. OSCC Marker. C/L chimney on Plainview schoolhouse about 3.5 mi.in azimuth $20^{\circ}38'51''$; C/L chimney on 1 story house about 1.75 mi.in azimuth $31^{\circ}42'41''$; C/L chimney on 1 story house about 0.62 mi.in azimuth $69^{\circ}38'51''$.

X-1,697,480.49

Y-579,217.68

El. 1734.123 ft.

8-E-29 TT 1938; Woodward Co., 8.5 mi.N.& 2.75 mi.E.of Quinlan; 34.0 ft.N.& 855.0 ft.W.of approx.SE.cor.sec.3,T24N,R17W; 2.5 ft.S.of N. R/W fence in elbow of Co.road at terminus of winding road; 54.0 ft.W.of tel.pole. OSCC Marker. C/L N.chimney on 1 story L-shaped house about 0.4 mi.in azimuth $304^{\circ}23'08''$; C/L Maiden Nipple Peak about 0.4 mi.in azimuth $228^{\circ}39'00''$.

X-1,706,655.21

Y-576,472.06

El. 1531.301 ft.

8-E-30 TT 1938; Woodward Co., 8.4 mi.N.& 4.0 mi.E.of Quinlan; 53.0 ft.S.& 1150.0 ft.E.of approx. $N\frac{1}{4}$ cor.sec.12,T24N,R17W; 28.0 ft.S.of S. R/W fence Co.road in "Keal Flats" near S.toe of shale face bluff; 7.0 ft.W.of tel.pole. OSCC Marker. C/L chimney on 1 story house about 0.5 mi.in azimuth $86^{\circ}25'56''$; C/L Maidens Nipple Hill in azimuth $103^{\circ}24'48''$; C/L pole of RR Semaphore about 2.0 mi.in azimuth $300^{\circ}52'46''$.

X-1,715,426.94

Y-576,247.29

El. 1466.521 ft.

8-E-31 TT 1938; Woods Co., 8.25 mi.N.& 5.0 mi.E.of Quinlan; 4.5 mi.W.of Waynoka; on W.side of Cimarron River; 630.0 ft.S.& 774.0 ft.W. of approx. $N\frac{1}{4}$ cor.sec.7,T24N,R16W; top of minor shale butte in "Keal Flats" diagonal tel.line crosses NE.end of butte. OSCC Marker. C/L Waynoka W.T.in azimuth $262^{\circ}28'46''$.

X-1,719,848.04

Y-575,618.02

El. 1479.123 ft.

BM #230; Woods Co., 0.3 mi.N.of approx.SW.cor.sec.8,T24N,R16W; is a chiseled sq.on S.end of conc.hdw.of 6 x 4 x 20 ft.conc.culvert.

El. 1417.831 ft.

8-E-32 TT 1938; Woods Co., 4.5 mi.W.& 1.5 mi.S.of Waynoka; top of lone truncated cone shale butte (sky line) at approx. center sec.18, T24N,R16W. OSCC Marker. C/L steeple on Quinlan church in azimuth $37^{\circ}55'03''$; C/L chimney on Plainview schoolhouse about 6.0 mi.in azimuth $82^{\circ}43'16''$; C/L Waynoka W.T.in azimuth $246^{\circ}18'18''$; C/L chimney on school house about 0.6 mi.in azimuth $309^{\circ}03'06''$.

X-1,719,643.97

Y-567,167.78

8-E-33 TT 1938; Woods Co., 4.0 mi.W.& 1.25 mi.S.of Waynoka; on W. side of Cimarron River; 1413.0 ft.S.& 14.0 ft.E.of approx.NW.cor.sec. 17,T24N,R16W; on NW.shoulder of AT&SF RR embankment at Co.road crossing; 4.0 ft.S.& 1.0 ft.W.of "X" warning post; 11.5 ft.W.of NW.wing post of cattle guard; 12.0 ft.from near rail. OSCC Marker. C/L chimney on 1 story house about 0.75 mi.in azimuth $19^{\circ}28'44''$; C/L pole on 1st semaphore W.of bridge #3482; about 0.75 mi.in azimuth $261^{\circ}50'42''$; C/L chimney on schoolhouse about 0.75 mi.in azimuth $359^{\circ}43'47''$.

X-1,723,143.19

Y-569,506.46

El. 1416.610 ft.

8-E-34 TT 1938; Woods Co., 0.9 mi.S.of P.O.at Waynoka; in approx $NE\frac{1}{4}$ sec.11,T24N,R16W; via OK.Hwy.#14; 285.0 ft.E.of its C/L; buck brush topped sand cone about 0.25 mi.N.of conc.-black top pvt. joint; about 200.0 yds.NE.of farmhouse. OSCC Marker. C/L Waynoka W.T.in azimuth $219^{\circ}46'36''$. C/L S.smoke stack on AT&SFRR yard at Waynoka in azimuth $184^{\circ}45'38''$; C/L chimney on 2 story house about 0.75 mi.in azimuth $233^{\circ}27'28''$; C/L chimney on 2 story house about 1.5 mi.in azimuth $282^{\circ}13'33''$.

X-1,741,976.11

Y-573,064.37

El. 1556.117 ft.

Waynoka Tri.Sta., (Woods Co., C.I.A. 1934) approx. 3.0 mi.S.of

Waynoka; in approx. NE $\frac{1}{4}$ sec. 23, T24N, R16W; near center S. edge; about 75.0 yds. E. of paved OK. Hwy. #14 in a sand hill sec. NE. of Cimarron River on summit of highest sand hill in vicinity E. of hwy., in sage covered pasture land owned by J.M. Hall of Waynoka. Mark is set 10.0 ft. E. of W. edge of hill; to reach from P.O. in Waynoka go S. on OK. Hwy. #14 for 2.9 mi., sta. is then about 75.0 yds. E. of this point on highest sand hill on E. side of road. Surface, underground, reference & azimuth marks are bronze tablets set in conc. & described according to notes 1b, 7a, & 11a.

X-1,743,303.18 Y-563,063.74
 R.M. #1 is 138.11 ft. in azimuth 65°55'04". El. 1536.931 ft.
 R.M. #2 is 192.66 ft. in azimuth 164°20'51". El. 1549.001 ft.
 C/L Waynoka standpipe in azimuth 193°13'01"; Azimuth mark is on E. side of road of OK. Hwy. #14; mark is set on hwy. cut; 20.0 ft. E. of E.R/W fence about 0.7 mi. in azimuth 163°27'12". El. 1541.729 ft.

8-E-35 TT 1938; Woods Co., 0.8 mi. N. & 2.0 mi. E. of Waynoka; 1587.0 ft. N. & 270.0 ft. E. of approx. SW. cor. sec. 32, T25N, R15W; 233.0 ft. E. of E. R/W fence Tp. road; on sand hill on S. rim of natural lake or sink; 4.0 ft. S. of 6" witness post. OSCC Marker. C/L S. smoke stack of three smoke stacks in Santa Fe RR yards at Waynoka in azimuth 84°07'56"; C/L Waynoka Muni. standpipe in azimuth 51°31'02"; C/L chimney on 1 story house about 0.6 mi. in azimuth 298°52'26"; C/L S. chimney on 2 story house about 0.25 mi. in azimuth 330°24'30".

X-1,752,093.33 Y-583,185.40 El. 1597.618 ft.

8-E-36 TT 1938; Woods Co., 0.5 mi. N. & 3.3 mi. E. of Waynoka; 129.0 ft. N. & 1058.0 ft. W. of approx. S $\frac{1}{4}$ cor. sec. 33, T25N, R15W; 78.0 ft. N. of N. R/W fence top sage clad knoll; 4.0 ft. S. of 3" witness post. OSCC Marker. C/L chimney on schoolhouse about 2.25 mi. in azimuth 20°04'24"; C/L Waynoka Muni. standpipe in azimuth 78°02'59"; C/L rod on top windmill about 0.4 mi. in azimuth 226°34'56"; C/L chimney on 1 story house about 1.0 mi. in azimuth 340°14'59".

X-1,758,654.48 Y-581,659.38 El. 1640.498 ft.

8-E-37 TT 1938; Woods Co., 0.5 mi. N. & 4.5 mi. E. of Waynoka; 53.0 ft. S. & 96.0 ft. W. of approx. NE. cor. sec. 4, T24N, R15W; 1.5 ft. S. of S. R/W fence OK. Hwy. #14; 2.0 ft. S. & 2.0 ft. E. of rural tel. pole. OSCC Marker. C/L chimney on 1 story farmhouse about 0.75 mi. in azimuth 00°38'46"; C/L steel rod on windmill about 0.06 mi. in azimuth 133°32'19"; C/L stove pipe chimney on farm shack about 0.75 mi. in azimuth 339°17'44".

X-1,765,068.96 Y-581,402.35 El. 1715.815 ft.

8-E-38 TT 1938; Woods Co., 0.5 mi. N. & 6.0 mi. E. of Waynoka; 100.0 ft. N. & 25.0 ft. E. of approx. SW. cor. sec. 36, T25N, R15W; 50.0 ft. N. of N. R/W fence OK. Hwy. #14; 6.0 ft. E. of E. R/W fence Tp. road in sage brush pasture; OSCC Marker. C/L chimney on 2 story house about 0.75 mi. in azimuth 36°20'41"; C/L steel rod on windmill about 0.25 mi. in azimuth 202°51'46".

X-1,772,919.24 Y-581,468.61 El. 1733.836 ft.

8-E-39 TT 1938; Woods Co., 0.5 mi. N. & 6.5 mi. E. of Waynoka; 51.0 ft. N. & 325.0 ft. E. of approx. S $\frac{1}{2}$ cor. sec. 36, T25N, R15W; 54.0 ft. N. & 216.0 ft. E. of approx. NW. cor. sec. 1; 1.0 ft. N. of N. R/W fence; 2.0 ft. N. & 32.0 ft. E. of tel. pole. OSCC Marker. C/L chimney on 2 story house about 1.0 mi. in azimuth 59°08'05"; C/L chimney on house about 0.5 mi. in azimuth 86°29'10"; C/L S. chimney on 2 story house about 4.0 mi. in azimuth 223°45'55".

X-1,775,855.47 Y-581,401.34 El. 1721.844 ft.

BM #250; Woods Co., 0.25 mi. E. of approx. NW. cor. sec. 6, T24N, R14W; chiseled sq. on E. end of S. hdw. of 5 x 3 x 40 ft. conc. culvert under OK. Hwy. #14. El. 1550.515 ft.

BM 251; Woods Co., 0.25 mi. E. of approx. NE. cor. sec. 6, T24N, R14W; is a chiseled "X" on E. end of S. hdw. of double 10 x 5 x 40 ft. conc. culvert under OK. Hwy. #14. El. 1538.909 ft.

8-E-40 TT 1938; Woods Co., 0.5 mi. N. & 9.0 mi. E. of Waynoka; 364.0 ft. N. & 136.0 ft. W. of approx. SE. cor. sec. 32, T25N, R14W; 315.0 ft. N. of N. R/W fence of OK. Hwy. #14; 104.0 ft. W. of W. R/W fence Tp. road; 74.0 ft. W. &

17.0 ft.N.of 6" cottonwood tree; 15.0 ft.W.of cross fence to S., top of grassy knoll in cultivated field S.of hwy. OSCC Marker. C/L chimney on schoolhouse about 1.5 mi.in azimuth $143^{\circ}03'17''$; C/L W.chimney on 1 story T-shaped farmhouse about 1.5 mi.in azimuth $209^{\circ}59'54''$; C/L N.chimney on small farmhouse about 0.17 mi.in azimuth $328^{\circ}40'14''$.

X-1,788,556.66 Y-581,576.25 El. 1539.892 ft.

BM # 255; Woods Co., 0.4 mi.W.of approx.NE.cor.sec.4,T24N,R14W; is chiseled X on W.end of S.curb of a triple 10 x 10 x 30 ft.conc.bridge.

El. 1490.164 ft.

8-E-41 TT 1938; Woods Co., 0.5 mi.N.& 10.75 mi.E.of Waynoka; 190.0 ft.N.& 1054.0 ft.W.of approx.SE.cor.sec.34,T25N,R14W; top sage brush knoll in pasture; 4.0 ft.S.of witness post. OSCC Marker. C/L chimney on 1 story house about 0.5 mi.in azimuth $57^{\circ}10'38''$; C/L chimney on school house about 3.0 mi.in azimuth $121^{\circ}30'20''$; C/L chimney on 1 story house about 0.5 mi.in azimuth $212^{\circ}55'40''$.

X-1,798,159.95 Y-581,306.03 El. 1537.071 ft.

8-E-42 TT 1938; Woods Co., 0.5 mi.N.& 11.5 mi.E.of Waynoka; 302.0 ft.S.& 32.0 ft.W.of approx.NE.cor.sec.3,T24N,R14W; 3.0 ft.E.of W.R/W fence of Tp.road; 2.0 ft.E.& 8.0 ft.S.of rural phone pole. OSCC Marker. C/L W.chimney on 1 story T-shaped house about 0.4 mi.in azimuth $10^{\circ}03'59''$; C/L rod on windmill about 0.6 mi.in azimuth $155^{\circ}19'36''$; C/L chimney on Phillips Service Sta. W.side OK.Rwy.#14; 0.5 mi.in azimuth $258^{\circ}08'19''$.

X-1,801,763.33 Y-580,781.08 El. 1478.583 ft.

8-D-13 TT 1934; Junction Station. See Traverse 8-D.

8-E Traverse ends here & is resumed at 8-D-24 TT 1934.

8-E-42-A TT 1938; Alfalfa Co., in NW.cor.of Carmen; 971.0 ft.N.& 75.0 ft.E.of approx.S $\frac{1}{2}$ cor.sec.3,T24N,R12W; 50.0 ft.NE.of nearest rail of SL&SF RR; 14.0 ft.N.& 19.0 ft.W.of 1 pole SE.of MP.#581-10; 2.0 ft.S.of N.R/W fence. OSCC Marker. C/L AT&SF RR W.T.about 0.75 mi.in azimuth $67^{\circ}24'20''$; C/L chimney on 2 story house about 1.0 mi.in azimuth $184^{\circ}23'30''$; C/L Carmen W.T.in azimuth $293^{\circ}13'28''$.

X-1,861,788.05 Y-576,066.67

8-E-43 TT 1938; Alfalfa Co., 1.0 mi.N.of Carmen; 383.0 ft.W.& 30.0 ft.N.of approx.S $\frac{1}{2}$ cor.sec.35,T25N,R12W; 2.0 ft.S.of N.R/W fence of country road; approx. 600.0 ft.SE.of Oklahoma Odd Fellows Orphanage. OSCC Marker. C/L Carmen W.T.in azimuth $05^{\circ}33'18''$; C/L E.tip of spire on Orphanage about 0.14 mi.in azimuth $127^{\circ}28'57''$; C/L chimney on 2 story house about 1.5 mi.in azimuth $294^{\circ}57'25''$.

X-1,864,797.98 Y-580,622.09 El. 1373.053 ft.

8-E-44 TT 1938; Alfalfa Co., 1.0 mi.N.& 1.7 mi.E.of Carmen; 1280.0 ft.N.& 410.0 ft.E.of approx.SW.cor.sec.31,T25N,R11W; 60.0 ft.S.of brow of minor table knoll in cultivated field from crescent on N., 0.25 mi.NW.of power line angle. OSCC Marker. C/L Carmen W.T.in azimuth $53^{\circ}32'33''$.

X-1,873,428.71 Y-581,789.08 El. 1388.268 ft.

BM #287; Alfalfa Co., 0.1 mi.W.of approx.NE.cor.sec.6,T24N,R11W; is a chiseled X on SE.cor.of S.hdw.of a 5 x 4 x 24 ft.conc.culvert.

El. 1335.163 ft.

BM #289; Woods Co., at approx.N $\frac{1}{2}$ cor.sec.5,T24N,R12W; chiseled sq. on E.end of S.conc.hdw.of 5 x 4 x 20 ft.conc.arched culvert.

El. 1289.634 ft.

8-E-45 TT 1938; Alfalfa Co., 1.2 mi.N.& 4.5 mi.E.of Carmen; 935.0 ft.N.& 1137.0 ft.W.of approx.SE.cor.sec.33,T25N,R11W; 1.0 ft.S.of cross fence on dome between cultivated fields. OSCC Marker. C/L Carmen W.T.in azimuth $74^{\circ}29'59''$; C/L Cherokee W.T.in azimuth $187^{\circ}00'50''$; C/L Helena W.T.in azimuth $299^{\circ}42'56''$.

X-1,887,972.71 Y-581,588.82 El. 1375.723 ft.

8-E-46 TT 1938; Alfalfa Co., 1.0 mi.N.& 5.5 mi.E.of Carmen; 32.0 ft.S.& 159.0 ft.E.of approx.N $\frac{1}{2}$ cor.sec.3,T24N,R11W; 1.0 ft.N.of N.R/W fence; 66.0 ft.S.& 0.25 mi.W.of tel.line angle. OSCC Marker. C/L Carmen W.T. about 5.5 mi.in azimuth $79^{\circ}31'47''$; C/L Cherokee W.T.about 12 mi.in azimuth $181^{\circ}47'18''$; C/L Helena W.T.about 8 mi.in azimuth $302^{\circ}42'00''$.

X-1,893,468.70 Y-580,411.14 El. 1383.868 ft.

- 8-E-47 TT 1938; Alfalfa Co., 0.5 mi.N.& 7.2 mi.E.of Carmen; 620.0 ft.S.& 293.0 ft.E.of approx.W $\frac{1}{2}$ cor.sec.1,T24N,R11W; on top of N.dome of minor escarshment. OSCC Marker. C/L Cherokee W.T.in azimuth 174°30'32"; C/L Helena W.T.in azimuth 306°19'34".
X-1,901,618.21 Y-576,987.92 El. 1377.722 ft.
- 8-E-48 TT 1938; Alfalfa Co., 1.0 mi.N.& 8.8 mi.E.of Carmen; 3.4 mi.N.& 1.8 mi.W.of Helena; 32.0 ft.S.& 800.0 ft.W.of approx.NE.cor.sec. 6, T24N,R10W; 1.0 ft.N.of S.R/W fence graveled Co.road "jog"; (Cherokee-Helena-Ringwood) 1.0 mi.N.& 0.2 mi.W.of Green Plain schoolhouse. OSCC Marker. C/L chimney on 2 story house about 0.6 mi.in azimuth 152°11'53"; C/L chimney on 1 story stucco house about 1.25 mi.in azimuth 219°46'15"; C/L chimney on schoolhouse about 1 mi.in azimuth 352°20'48".
X-1,910,730.17 Y-580,290.31 El. 1347.649 ft.
- 8-E-49 TT 1938; Alfalfa Co., 3.0 mi.N.of Helena; 22.0 ft.N.& 280.0 ft.E.of approx.S $\frac{1}{4}$ cor.sec.33,T25N,R10W; at margin of cultivated field in range of E.side of farmhouse S.of Tp.road; guard post set 3.0 ft.E.& W.of monument. OSCC Marker. C/L chimney on schoolhouse about 0.5 mi.in azimuth 51°40'20"; C/L chimney on stucco house about 1 mi.in azimuth 151°02'40"; C/L chimney on 1 story frame house about 0.75 mi.in azimuth 210°25'50".
X-1,918,190.94 Y-580,296.60 El. 1430.900 ft.
- 8-E-50 TT 1938; Alfalfa Co., 3.0 mi.N.& 2.5 mi.E.of Helena; 6.0 ft.N.& 3.0 ft.E.of approx.SW.cor.sec.36,T25N,R10W; S.point of N-S minor ridge in pasture of "blind sec.line". OSCC Marker. C/L Helena W.T. in azimuth 28°39'56"; C/L Jet W.T.about 7 mi.in azimuth 211°58'12"; C/L S. chimney on T-shaped house about 0.7 mi.in azimuth 326°02'59".
X-1,930,529.47 Y-580,192.68 El. 1385.807 ft.
- 8-E-51 TT 1938; Alfalfa Co., 3.0 mi.N.& 3.6 mi.E.of Helena; 1.0 mi.N.& 0.7 mi.E.of Star schoolhouse; 28.0 ft.N.& approx. 500.0 ft.E.of approx.SW $\frac{1}{4}$ sec.31,T25N,R9W; 2.0 ft.S.of N.R/W fence Tp.road; 10.0 ft.W. of rural tel.pole. OSCC Marker. C/L steeple on church about 0.75 mi.in azimuth 175°27'22"; C/L Jet W.T.in azimuth 200°56'49"; C/L chimney on schoolhouse about 2.75 mi.in azimuth 301°22'42".
X-1,936,853.30 Y-580,208.06 El. 1378.546 ft.
- 8-E-52 TT 1938; Alfalfa Co., 11.0 mi.S.& 9.0 mi.E.of Cherokee; 26.0 ft.S.& 1090.0 ft.W.of approx.NE.cor.sec.6,T24N,R9W; 1.0 ft.N.of S.R/W fence; 15.0 ft.E.of E.gate post in S.R/W fence; 145.0 ft.N.& 73.0 ft.E. of NE.cor.of abandoned farm shack. OSCC Marker. C/L E.chimney on 2 story house about 0.75 mi.in azimuth 54°15'42"; C/L chimney on 2 story house about 1 mi.in azimuth 108°50'07"; C/L Goltry W.T.in azimuth 329°10'01".
X-1,942,042.96 Y-580,112.38 El. 1367.566 ft.
- 8-E-53 TT 1938; Alfalfa Co., 10.7 mi.S.& 11.0 mi.E.of Cherokee; 1055.0 ft.S.& 24.0 ft.E.of approx.W $\frac{1}{2}$ cor.sec.34,T25N,R9W; 2.0 ft.W.of E. R/W fence; 125.0 ft.N.of R.E.A. pole; 2.0 ft.W.& 5.0 ft.N.of hedge stump in fence line; 2.0 ft.W.& 5.0 ft.S.of hedge stump in fence line; 125.0 ft.E.& 125.0 ft.S.of cottonwood tree. OSCC Marker. C/L chimney on school house about 1.5 mi.in azimuth 42°38'41"; C/L W.chimney on T-shaped house about 0.5 mi.in azimuth 181°57'51"; C/L Goltry W.T.in azimuth 352°45'43".
X-1,952,206.40 Y-581,714.78 El. 1259.871 ft.
- 8-E-54 TT 1938; Alfalfa Co., 10.0 mi.S.& 12.0 mi.E.of Cherokee; 298.0 ft.S.& 31.0 ft.E.of approx.W $\frac{1}{2}$ cor.sec.35,T25N,R9W; 2.0 ft.W.of E.R/W fence; 62.0 ft.E.& 131.0 ft.S.of R.E.A. pole; 62.0 ft.E.& 165.0 ft.N.of R.E.A. pole. OSCC Marker. C/L Goltry W.T.in azimuth 05°19'14"; C/L Jet W.T.in azimuth 156°03'23".
X-1,957,484.45 Y-582,448.03 El. 1248.884 ft.
- 8-E-55 TT 1938; Alfalfa Co., 11.0 mi.S.& 13.0 mi.E.of Cherokee; 32.0 ft.S.& 763.0 ft.E.of approx.N $\frac{1}{2}$ cor.sec.2,T24N,R9W; 60.0 ft.N.& 75.0 ft.W.of NW.cor.of farmhouse; 44.0 ft.W.of C/L of drive to farmhouse; 54.0 ft.E.of W.barn lot fence; 63.0 ft.S.& 50.0 ft.W.of R.E.A. pole; 32.0 ft.S.& 498.0 ft.W.of approx.SE.cor.sec.35,T25N,R9W. OSCC Marker. C/L chimney on 2 story house about 1.75 mi.in azimuth 01°44'03"; C/L chimney on

schoolhouse about 4.0 mi. in azimuth $72^{\circ}09'13''$; C/L chimney on 1 story house about 1 mi. in azimuth $204^{\circ}32'31''$.

X-1,962,336.55 Y-580,079.50 El. 1274.752 ft.

8-E-56 TT 1938; Alfalfa Co., 11.0 mi. S. & 13.5 mi. E. of Cherokee; 33.0 ft. N. & 780.0 ft. E. of approx. $S\frac{1}{4}$ cor. sec. 36, T25N, R9W; 2.0 ft. N. of N. R/W fence; 1.0 ft. N. & 3.0 ft. E. of R.E.A. pole. OSCC Marker. C/L Goltry W.T. in azimuth $26^{\circ}22'09''$; C/L chimney on sq. shaped house about 1 mi. in azimuth $339^{\circ}19'36''$.

X-1,966,159.56 Y-580,135.28 El. 1299.607 ft.

8-E-57 TT 1938; Garfield Co., 2.0 mi. N. & 6.0 mi. W. of Hillsdale; 31.0 ft. S. & 340.0 ft. E. of approx. NW. cor. sec. 6, T24N, R8W; 1.0 ft. N. of S. R/W fence; 2.0 ft. N. & 3.0 ft. E. of R.E.A. pole; 250.0 ft. S. & 20.0 ft. E. of SE. cor. of farmhouse. OSCC Marker. C/L chimney on 2 story house about 1.5 mi. in azimuth $18^{\circ}05'18''$; C/L chimney on sq. shaped house about 1 mi. in azimuth $220^{\circ}01'25''$; C/L grain elevator in Hillsdale about 6.5 mi. in azimuth $289^{\circ}34'50''$.

X-1,969,923.07 Y-580,065.70 El. 1306.510 ft.

8-E-58 TT 1938; Grant Co., 2.0 mi. N. & 3.8 mi. W. of Hillsdale; 26.0 ft. N. & 915.0 ft. W. of approx. $S\frac{1}{2}$ cor. sec. 33, T25N, R8W; 1.0 ft. S. of N. R/W fence; 58.0 ft. N. & 50.0 ft. W. of R.E.A. pole. OSCC Marker. C/L chimney on farmhouse about 3 mi. in azimuth $48^{\circ}10'11''$; C/L E. chimney on T-shaped house about 0.75 mi. in azimuth $162^{\circ}56'14''$.

X-1,980,386.81 Y-580,086.43 El. 1241.878 ft.

BM #371; Grant Co., 0.25 mi. E. of approx. $S\frac{1}{4}$ cor. sec. 33, T25N, R8W; chiseled sq. on W. end of N. conc. curb of an 80.0 ft. steel conc. bridge.

El. 1189.758 ft.

8-E-59 TT 1938; Garfield Co., 2.0 mi. N. & 3.0 mi. W. of Hillsdale; 32.0 ft. E. & 30.0 ft. S. of approx. NW. cor. sec. 3, T24N, R8W; 2.5 ft. E. of E. R/W fence; 0.5 ft. N. of R.E.A. power line; 0.5 ft. N. & 26.6 ft. W. of R.E.A. pole; 6.0 ft. S. of S. R/W fence. OSCC Marker. C/L E. chimney on T-shaped house about 1.5 mi. in azimuth $129^{\circ}04'29''$; C/L chimney on Star school house about 1.75 mi. in azimuth $206^{\circ}35'49''$; C/L elevator in Hillsdale in azimuth $304^{\circ}12'29''$.

X-1,985,208.82 Y-580,024.14 El. 1215.771 ft.

8-A-21 TT 1934; Junction Station. See Traverse 8-A.

Traverse 8-F; Woods, Alfalfa & Garfield Co's.

Waynoka Tri. Sta. to Enid Tri. Sta.

North Projection

Waynoka Tri. Sta., Junction Station. See Traverse 8-E.

8-F-1 TT 1938; Woods Co., 1.5 mi. S. & 3.25 mi. E. of Waynoka; 45.5 ft. N. & 1380.0 ft. W. of approx. SE. cor. sec. 8, T24N, R15W; 18.0 ft. N. of N. R/W fence of Co. road, on top of minor sage covered knoll. OSCC Marker. C/L chimney on schoolhouse about 5 mi. in azimuth $27^{\circ}55'54''$; C/L chimney on schoolhouse about 0.75 mi. in azimuth $93^{\circ}09'52''$; C/L chimney on house on S. side E-W road about 0.5 mi. in azimuth $275^{\circ}10'42''$.

X-1,758,549.17 Y-570,432.59 El. 1593.058 ft.

8-F-2 TT 1938; Woods Co., 2.9 mi. S. & 3.4 mi. E. of Waynoka; approx. 1500.0 ft. S. & 340.0 ft. W. of approx. NE. cor. sec. 20, T24N, R15W; on highest hump of camel back sand hill covered with sage brush. OSCC Marker. C/L chimney on house about 1.5 mi. in azimuth $214^{\circ}42'40''$; C/L chimney on a stucco house about 2.5 mi. in azimuth $280^{\circ}29'20''$.

X-1,759,439.84 Y-563,082.71 El. 1539.638 ft.

8-F-3 TT 1938; Woods Co., 3.5 mi. S. & 5.0 mi. E. of Waynoka; 83.5 ft. S. & 22.5 ft. W. of approx. $N\frac{1}{4}$ cor. sec. 27, T24N, R15W; 50.0 ft. S. of S. R/W fence Tp. road; 22.5 ft. W. of cross fence on top of jardinier lid dome covered with sage brush; 16.0 ft. NW. of tree. OSCC Marker. C/L chimney on a T shaped house about 0.75 mi. in azimuth $170^{\circ}15'00''$; C/L S. peak of roof on schoolhouse about 0.75 mi. in azimuth $222^{\circ}25'45''$; C/L chimney on stucco farmhouse about 1 mi. in azimuth $271^{\circ}49'55''$.

- X-1,767,623.14 Y-559,741.17 El. 1534.660 ft.
 8-F-4 TT 1938; Woods Co., 4.5 mi.S.& 6.8 mi.E.of Waynoka; 265.0 ft. S.& 1377.0 ft.W.of approx.N $\frac{1}{4}$ cor.sec.36,T24N,R15W; 73.0 ft.W.of cross fence on top of minor sage brush knoll approx. 300.0 ft.W.of lone cotton wood tree (prominent land mark); 5.0 ft.S.of 2 x 4 in.witness post. OSCC Marker. C/L chimney on stucco house about 1.5 mi.in azimuth 152°17'52"; C/L E.chimney on farmhouse about 0.5 mi.in azimuth 260°54'32".
- X-1,776,802.67 Y-554,192.61 El. 1565.879 ft.
 8-F-5 TT 1938; Woods Co., 5.5 mi.S.& 7.25 mi.E.of Waynoka; about 500.0 ft.S.& 1300.0 ft.W.of approx.NW.cor.sec.1,T23N,R15W; on top of a sage brush covered hill approx. 300.0 ft.SW.of windmill in pasture. OSCC Marker. C/L chimney on main part of house about 2 mi.in azimuth 186°36'05"; C/L chimney on farmhouse about 0.75 mi.in azimuth 243°28'15".
- X-1,778,919.01 Y-548,678.02
 8-F-6 TT 1938; Woods Co., 5.25 mi.S.& 7.25 mi.E.of Waynoka; at approx.center SE $\frac{1}{4}$ sec.36,T24N,R15W; 776.0 ft.N.of stock well & W.T. on highest point of sage covered ridge. OSCC Marker.
- X-1,779,413.25 Y-550,448.53 El. 1561.513 ft.
 BM; Woods Co., in approx. SE.cor.sec.31,T24N,R14W; chiseled X on SE.cor.of conc.gasoline pump base. El. 1516.709 ft.
- 8-F-7 TT 1938; Woods Co., 5.5 mi.S.& 8.5 mi.E.of Waynoka; 350.0 ft. N.& 437.0 ft.E.of approx.SW.cor.sec.32,T24N,R14W; 11.4 ft.N.of N.R/W fence, Co.road; 502.0 ft.E.of store & filling sta. OSCC Marker. C/L chimney on filling sta.about 0.1 mi.in azimuth 97°02'41"; C/L rod on wind mill about 0.75 mi.in azimuth 252°06'24"; C/L rod on windmill about 0.5 mi.in azimuth 357°19'31".
- X-1,786,075.59 Y-549,245.67 El. 1600.526 ft.
 8-F-8 TT 1938; Woods Co., 5.5 mi.S.& 9.25 mi.E.of Waynoka; 130.0 ft.S.& 521.0 ft.W.of approx.NE.cor.sec.5,T23N,R14W; 68.0 ft.S.& 200.0 ft.W.of schoolhouse; 110.0 ft.S.of S.R/W fence of Co.road; 140.0 ft.W. of cross fence on sage brush covered knoll. OSCC Marker. C/L rod on windmill about 1 mi.in azimuth 76°56'39"; C/L chimney on schoolhouse about 0.03 mi.in azimuth 249°28'51"; C/L W.peak of roof on church house about 1 mi.in azimuth 275°57'34".
- X-1,790,452.77 Y-549,025.47 El. 1542.285 ft.
 8-F-9 TT 1938; Woods Co., 5.9 mi.S.& 10.5 mi.E.of Waynoka; 489.0 ft.N.& 30.0 ft.W.of approx.E $\frac{1}{2}$ cor.sec.4,T23N,R14W; 2.0 ft.E.of W. R/W fence of Tp.road; 1312.0 ft.S.of schoolhouse; 297.0 ft.N.of 1 room farm hut. OSCC Marker. C/L chimney on 1 story farmhouse about 1 mi.in azimuth 106°05'15"; C/L chimney on schoolhouse about 1 mi.in azimuth 110°34'50". C/L W.peak on church house about 3 mi.in azimuth 176°12'15".
- X-1,796,212.69 Y-547,016.43 El. 1510.957 ft.
 8-F-10 TT 1938; Woods Co., 6.5 mi.S.& 10.9 mi.E.of Waynoka; 879.0 ft.S.& 100.0 ft.W.of approx.N $\frac{1}{4}$ cor.sec.10,T23N,R14W; on top of small sage brush covered knoll S.of wire gate in S.R/W fence. OSCC Marker. C/L chimney on stucco schoolhouse about 1 mi.in azimuth 24°12'37"; C/L chimney on 2 story house about 0.62 mi.in azimuth 49°12'27"; C/L S.peak of roof on barn about 0.75 mi.in azimuth 223°08'10".
- X-1,798,577.43 Y-542,962.00 El. 1510.805 ft.
 8-F-11 TT 1938; Woods Co., 6.5 mi.S.& 12.0 mi.E.of Waynoka; 975.0 ft.S.& 300.0 ft.W.of approx.N $\frac{1}{2}$ cor.sec.11,T23N,R14W; on top of buck-brush covered knoll S.of wood lot at farmhouse of M.C.Mullen. OSCC Marker. C/L chimney on farmhouse about 2 mi.in azimuth 302°40'31".
- X-1,804,647.32 Y-542,797.62 El. 1498.138 ft.
 8-F-12 TT 1938; Woods Co., 13.5 mi.E.& 7.0 mi.S.of Waynoka; 221.0 ft.N.& 216.0 ft.W.of approx. E $\frac{1}{2}$ cor.sec.12,T23N,R14W; on plum bush covered N-S ridge. OSCC Marker. C/L chimney on 1 story house about 0.5 mi. in azimuth 12°08'39"; C/L chimney on schoolhouse about 1.75 mi.in azimuth 199°13'59"; C/L rod on windmill about 0.5 mi.in azimuth 351°03'39".
- X-1,811,762.52 Y-541,323.29 El. 1480.120 ft.
 8-F-13 TT 1938; Woods Co., 14.5 mi.E.& 7.0 mi.S.of Waynoka; 37.0 ft.S.& 34.0 ft.W.of approx.E $\frac{1}{2}$ cor.sec.7,T23N,R13W; 3.0 ft.W.of W.R/W

- fence; 4.0 ft. SW. of 12" locust tree & NW. of 12" cottonwood tree. OSCC Marker.
- X-1,816,925.70 Y-541,041.46 El. 1495.921 ft.
 8-F-14 TT 1938; Woods Co., 15.0 mi. E. & 7.5 mi. S. of Waynoka; 115.0 ft. W. & 315.0 ft. N. of approx. $S\frac{1}{2}$ cor. sec. 8, T23N, R13W; in pasture on N-S ridge. OSCC Marker. C/L chimney on schoolhouse about 1.25 mi. in azimuth $23^{\circ}18'50''$; C/L chimney on 1 story sq. top house in azimuth $90^{\circ}35'15''$; C/L chimney on 2 story house about 0.37 mi. in azimuth $275^{\circ}36'00''$.
- X-1,819,422.48 Y-538,766.42 El. 1492.921 ft.
 8-F-15 TT 1938; Woods Co., 15.5 mi. E. & 7.0 mi. S. of Waynoka; 738.0 ft. S. & 20.0 ft. W. of approx. $E\frac{1}{2}$ cor. sec. 8, T23N, R13W; 2.5 ft. E. of W.R/W fence. OSCC Marker. C/L E. chimney on 2 story rock house about 0.75 mi. in azimuth $299^{\circ}19'47''$; C/L N. peak of roof on house about 0.37 mi. in azimuth $347^{\circ}52'34''$.
- X-1,822,144.53 Y-540,294.44 El. 1481.818 ft.
 8-F-16 TT 1938; Woods Co., 16.5 mi. E. & 7.0 mi. S. of Waynoka; 394.0 ft. S. & 34.0 ft. E. of approx. $W\frac{1}{2}$ cor. sec. 10, T23N, R13W; 3.0 ft. E. of E.R/W fence of Co. line sec. line. OSCC Marker. C/L E. chimney on sq. top house about 0.37 mi. in azimuth $59^{\circ}17'12''$; C/L chimney on house about 0.5 mi. in azimuth $177^{\circ}53'20''$; C/L chimney on sq. shaped 1 story house about 1 mi. in azimuth $220^{\circ}05'35''$.
- X-1,827,464.99 Y-540,023.59 El. 1495.253 ft.
 8-F-17 TT 1938; Woods Co., 18.0 mi. E. & 7.5 mi. S. of Waynoka; 9.0 ft. W. & 797.0 ft. N. of approx. $S\frac{1}{2}$ cor. sec. 11, T23N, R13W; on N-S sandy ridge. OSCC Marker. C/L N. chimney on large 1 story house about 0.5 mi. in azimuth $54^{\circ}05'08''$; C/L chimney on 1 story sq. house about 1.5 mi. in azimuth $135^{\circ}18'16''$; C/L chimney on 1 story house about 0.75 mi. in azimuth $219^{\circ}46'18''$.
- X-1,835,315.84 Y-539,279.87 El. 1484.192 ft.
 8-F-18 TT 1938; Woods Co., 19.5 mi. E. & 8.0 mi. S. of Waynoka; 39.0 ft. N. & 212.0 ft. W. of approx. $E\frac{1}{2}$ cor. sec. 13, T23N, R13W; on top of prominent dome. OSCC Marker. C/L chimney on 1 story house about 0.75 mi. in azimuth $47^{\circ}56'45''$; C/L rod on windmill about 0.37 mi. in azimuth $181^{\circ}53'10''$; C/L chimney on 1 story house about 0.75 mi. in azimuth $260^{\circ}00'38''$.
- X-1,843,000.38 Y-535,741.76 El. 1447.666 ft.
 8-F-19 TT 1938; Alfalfa Co., 19.0 mi. S. & 9.5 mi. W. of Cherokee; 106.0 ft. N. & 688.0 ft. E. of approx. $S\frac{1}{2}$ cor. sec. 7, T23N, R12W; 76.0 ft. N. of N.R/W fence on knoll in pasture. OSCC Marker. C/L chimney on T-shaped house about 0.5 mi. in azimuth $94^{\circ}46'50''$; C/L chimney on house (top only showing) about 0.62 mi. in azimuth $270^{\circ}53'57''$; C/L chimney on 1 story house about 0.62 mi. in azimuth $311^{\circ}18'10''$.
- X-1,846,162.34 Y-538,441.28 El. 1430.708 ft.
 8-F-20 TT 1938; Alfalfa Co., 19.5 mi. S. & 8.0 mi. W. of Cherokee; 130.0 ft. N. & 31.0 ft. W. of approx. $E\frac{1}{2}$ cor. sec. 17, T23N, R12W; 2.5 ft. E. of W. R/W fence; 85.0 ft. N. of 24" cottonwood tree. OSCC Marker. C/L chimney on L-shaped house about 0.62 mi. in azimuth $214^{\circ}40'05''$; C/L chimney on large 1 story house about 1.25 mi. in azimuth $239^{\circ}22'37''$; C/L Aline W. T. in azimuth $223^{\circ}55'11''$.
- X-1,853,647.81 Y-535,806.01 El. 1317.880 ft.
 8-F-21 TT 1938; Alfalfa Co., 19.8 mi. S. & 7.0 mi. W. of Cherokee; 1046.0 ft. N. & 31.0 ft. W. of approx. SE cor. sec. 16, T23N, R12W; 2.5 ft. W. of W.R/W fence on sandy knoll in pasture; 310.0 ft. N. of cross fence to W. OSCC Marker. C/L W. chimney on L-shaped house about 1 mi. in azimuth $132^{\circ}58'17''$; C/L chimney on 1 story stucco house about 0.5 mi. in azimuth $356^{\circ}11'47''$; C/L Aline W.T. in azimuth $207^{\circ}56'26''$.
- X-1,858,883.57 Y-534,020.42 El. 1294.861 ft.
 8-F-22 TT 1938; Alfalfa Co., 19.75 mi. S. & 6.0 mi. W. of Cherokee; 1057.0 ft. S. & 31.0 ft. W. of intersection of sec. line & RR crossing; near E. center of approx. $SE\frac{1}{2}$ sec. 15, T23N, R12W; 237.0 ft. E. of near rail of RR; 2.5 ft. E. of W.R/W fence. OSCC Marker. C/L chimney on 1 story stucco house about 1.25 mi. in azimuth $63^{\circ}26'41''$; C/L chimney on 2 story house about 0.25 mi. in azimuth $147^{\circ}37'14''$; C/L Aline W.T. about 2.75 mi. in

azimuth 191°41'31".

X-1,864,133.16 Y-534,258.85 El. 1263.426 ft.

8-F-23 TT 1938; Alfalfa Co., 19.75 mi.S.& 4.0 mi.W.of Cherokee; 1177.0 ft.N.& 25.0 ft.W.of approx.SE.cor.sec.13,T23N,R12W; 2.0 ft.E.of W.R/W fence; 38.0 ft.S.of cross fence to E. atop minor sandy dome. OSCC Marker. C/L chimney on 2 story house about 0.75 mi.in azimuth 03°25'41"; C/L chimney on 1 story house about 0.62 mi.in azimuth 298°35'01"; C/L Aline W.T.in azimuth 155°36'10".

X-1,874,658.64 Y-534,116.72 El. 1329.750 ft.

8-D-33 TT 1934; Junction Station. See Traverse 8-D.

8-F-24 TT 1938; Alfalfa Co., 19.2 mi.S.& 2.0 mi.W.of Cherokee; 700.0 ft.S.& 26.0 ft.W.of approx.NE.cor.sec.17,T23N,R11W; 3.0 ft.W.of W. R/W fence atop minor knoll; 110.0 ft.S.of cross fence to W. OSCC Marker. C/L chimney on 1 story house about 0.75 mi.in azimuth 99°15'13"; C/L chimney on 1 story farm shack in W.edge of trees about 0.5 mi.in azimuth 170°20'18"; C/L rod on windmill about 0.5 mi.in azimuth 275°33'03".

X-1,885,298.41 Y-537,314.85 El. 1364.446 ft.

8-F-25 TT 1938; Alfalfa Co., 18.9 mi.S.& 1.5 mi.W.of Cherokee; 510.0 ft.N.& 928.0 ft.E.of approx.S $\frac{1}{2}$ cor.sec.9,T23N,R11W; atop N-W S-E sandy ridge covered with sand plum thicket. OSCC Marker. C/L chimney on 1 story house about 1.5 mi.in azimuth 86°45'51"; C/L E.chimney on 2 story house about 0.75 mi.in azimuth 195°14'04"; C/L W.peak of roof on barn about 0.25 mi.in azimuth 331°22'11".

X-1,888,880.63 Y-538,572.28 El. 1380.834 ft.

8-F-26 TT 1938; Alfalfa Co., 18.7 mi.S.of Cherokee; 996.0 ft.S.& 30.0 ft.W.of approx.E $\frac{1}{2}$ cor.sec.10,T23N,R11W; 3.0 ft.W.of W.R/W fence; 28.0 ft.W.of cross fence to W., approx. 600.0 ft.W.& 50.0 ft.N.of 2 large cottonwood trees in pasture. OSCC Marker. C/L chimney on schoolhouse about 1.25 mi.in azimuth 119°33'08"; C/L chimney on 1 story house about 0.25 mi.in azimuth 164°36'28"; C/L E.chimney on 1 story T-shaped house about 0.25 mi.in azimuth 352°54'53".

X-1,895,781.22 Y-539,779.16 El. 1389.113 ft.

8-F-27 TT 1938; Alfalfa Co., 18.8 mi.S.& 1.0 mi.E.of Cherokee; 1146.0 ft.N.& 230.0 ft.E.of approx.SW.cor.sec.12,T23N,R11W; 2.0 ft.E.of feed lot fence; 72.0 ft.N.& 18.0 ft.W.of NW.cor.of barn; 81.0 ft.S.of Mulberry tree; 5.0 ft.N.& 2.0 ft.E.of tree stump used as fence cor.post in feed lot. OSCC Marker.

X-1,901,332.45 Y-539,380.09 El. 1403.967 ft.

8-F-28 TT 1938; Alfalfa Co., 18.5 mi.S.& 2.0 mi.E.of Cherokee; 284.0 ft.N.& 29.0 ft.W.of approx.E $\frac{1}{2}$ cor.sec.12,T23N,R11W; atop prominent sandy knoll covered by sand plum thicket; 2.0 ft.E.of W.R/W fence; 39.0 ft.S.& 4.0 ft.W.of farm phone pole. OSCC Marker. C/L E.peak of roof on barn about 0.75 mi.in azimuth 33°47'50"; C/L cupola on barn about 2 mi. in azimuth 168°55'08"; C/L chimney on stucco house about 1 mi.in azimuth 257°39'48".

X-1,906,332.20 Y-540,969.99 El. 1435.426 ft.

8-F-29 TT 1938; Alfalfa Co., 19.0 mi.S.& 3.0 mi.E.of Cherokee; 37.0 ft.W.& 27.0 ft.S.of approx.NE.cor.sec.18,T23N,R10W; 12.0 ft.W.& 2.0 ft. N.of farm phone pole; 3.0 ft.S.of S.R/W fence; 10.0 ft.W.of W.R/W fence. OSCC Marker. C/L chimney on stucco house about 0.75 mi.in azimuth 178° 03'05"; C/L cupola on large barn about 2 mi.in azimuth 243°25'18"; C/L S.chimney on 2 story house about 1 mi.in azimuth 347°13'45".

X-1,911,538.03 Y-538,077.28 El. 1421.332 ft.

8-F-30 TT 1938; Alfalfa Co., 20.0 mi.S.& 3.7 mi.E.of Cherokee; 1270.0 ft.E.& 26.0 ft.N.of approx.S $\frac{1}{2}$ sec.17,T23N,R10W; 1.5 ft.N.of N.R/W fence; 18.0 ft.E.& 10.0 ft.S.of power line pole. OSCC Marker. C/L chimney on small T-shaped 1 story house about 0.75 mi.in azimuth 21°44'43"; C/L S.chimney on 1 story house about 0.5 mi.in azimuth 100°21'15"; C/L cupola on large barn about 2 mi.in azimuth 213°48'38".

X-1,915,264.03 Y-532,826.70 El. 1394.288 ft.

BM; Major Co., approx. 300.0 ft. E. of approx. N $\frac{1}{4}$ cor. sec.21,T23N,

R10W; chiseled X on W. end of S. conc. hdw. of 5 x 6 ft. conc. arch culvert.
El. 1350.260 ft.

8-F-31 TT 1938; Major Co., 6.0 mi. S. & 0.5 mi. E. of Helena; 24.0 ft. S. & 283.0 ft. W. of approx. N $\frac{1}{2}$ cor. sec. 22, T23N, R10W; 1.0 ft. N. of S. R/W fence; 46.0 ft. S. & 21.0 ft. E. of power pole. OSCC Marker. C/L E. chimney on 2 story house with 3 dormers about 1 mi. in azimuth 10°54'23"; C/L chimney on 1 $\frac{1}{2}$ story farmhouse about 0.25 mi. in azimuth 153°44'08"; C/L chimney on sq. top house about 0.5 mi. in azimuth 229°32'38".

X-1, 924.416.39 Y-532, 741.30 El. 1382.878 ft.

8-F-32 TT 1938; Major Co., 6.0 mi. S. & 2.0 mi. E. of Helena; 27.0 ft. N. & 272.0 ft. E. of approx. SW. cor. sec. 13, T23N, R10W; 1.5 ft. S. of power pole; 1.5 ft. N. of N. R/W fence; 74.0 ft. W. & 73.0 ft. S. of SW. cor. of buff brick farmhouse. OSCC Marker. C/L chimney on church house about 1.25 mi. in azimuth 46°05'13"; C/L N. chimney on 2 story house about 1.5 mi. in azimuth 140°22'06"; C/L W. chimney on 2 story house about 1 mi. in azimuth 318°02'31".

X-1, 932, 823.25 Y-532, 803.15 El. 1435.058 ft.

8-F-33 TT 1938; Major Co., 6.0 mi. S. & 3.0 mi. E. of Helena; 31.0 ft. S. & 32.0 ft. W. of approx. NE. cor. sec. 24, T23N, R10W; 3.0 ft. W. of W. R/W fence; 3.0 ft. S. of S. R/W fence in cor. of pasture; approx. 300.0 ft. SE. of house with cedar trees in yard; 95.0 ft. SW. of power pole where line turns S. or W. OSCC Marker. C/L chimney on church house about 2.25 mi. in azimuth 63°13'55"; C/L chimney on schoolhouse about 1.25 mi. in azimuth 314°53'20".

X-1, 937, 790.50 Y-532, 709.73 El. 1452.268 ft.

8-F-34 TT 1938; Major Co., 6.0 mi. S. & 4.5 mi. E. of Helena; 28.0 ft. S. & 50.0 ft. W. of approx. N $\frac{1}{2}$ cor. sec. 20, T23N, R9W; in line with E. side of small farm shack & 102.5 ft. S. of SE. cor. of said shack; 25.0 ft. W. of W. gate post. OSCC Marker. C/L chimney on schoolhouse about 1 mi. in azimuth 28°18'50"; C/L S. chimney on 2 story house about 1 mi. in azimuth 327°08'30"; C/L Goltry W.T. in azimuth 200°39'37".

X-1, 945, 630.55 Y-532, 659.21 El. 1361.653 ft.

8-F-35 TT 1938; Major Co., 6.0 mi. S. & 5.5 mi. E. of Helena; 29.0 ft. N. & 2.5 ft. W. of approx. S $\frac{1}{2}$ cor. sec. 16, T23N, R9W; 2.5 ft. N. of N. R/W fence; 2.5 ft. W. of $\frac{1}{4}$ sec. fence; approx. 1000.0 ft. NE. of 1 $\frac{1}{2}$ story house with windmill & cedar trees. OSCC Marker. C/L N. chimney on 2 story house about 2 mi. in azimuth 346°33'19"; C/L Goltry W.T. in azimuth 189°32'15".

X-1, 950, 946.67 Y-532, 693.92 El. 1348.955 ft.

8-F-36 TT 1938; Major Co., 6.0 mi. S. & 7.5 mi. E. of Helena; 34.0 ft. S. & 394.0 ft. W. of approx. N $\frac{1}{2}$ cor. sec. 23, T23N, R9W; 1.5 ft. N. of S. R/W fence; 261.0 ft. E. of cross fence to S. OSCC Marker. C/L chimney on a schoolhouse about 1 mi. in azimuth 23°23'11"; C/L N. chimney on 2 story sq. house about 2 mi. in azimuth 340°11'46"; C/L Goltry W.T. in azimuth 167°00'36".

X-1, 961, 081.47 Y-532, 596.40 El. 1313.442 ft.

BM; Major Co., 0.1 mi. W. of approx. NE cor. sec. 23, T23N, R9W; chiseled X on SE conc. wingwall of 5x4x20 ft. conc. culvert.

El. 1265.473 ft.

8-F-37 TT 1938; Alfalfa Co., 6.0 mi. S. & 8.5 mi. E. of Helena; 24.0 ft. N. & 2.5 ft. W. of approx. S $\frac{1}{2}$ cor. sec. 13, T23N, R9W; 2.5 ft. N. of N. R/W fence; 2.5 ft. W. of $\frac{1}{4}$ sec. fence; approx. 0.25 mi. SW. of old silo. OSCC Marker. C/L S. chimney on 1 $\frac{1}{2}$ story farmhouse about 1 mi. in azimuth 165°20'50"; C/L S. peak of roof on S. conc. elevator in Carrier about 5 mi. in azimuth 259°15'30"; C/L chimney on 2 story house about 1.25 mi. in azimuth 353°08'18".

X-1, 966, 748.95 Y-532, 650.27 El. 1322.760 ft.

8-F-38 TT 1938; Alfalfa Co., 6.0 mi. S. & 9.0 mi. E. of Helena; 62.5 ft. N. & 27.5 ft. W. of approx. SE. cor. sec. 13, T23N, R9W; 1.0 ft. E. of W. R/W fence; 32.0 ft. N. of power line anchor pole; approx. 0.25 mi. SE. of old silo. OSCC Marker. C/L E. chimney on 1 story house about 0.5 mi. in azimuth 13°16'36"; C/L N. chimney on schoolhouse about 2.5 mi. in azimuth 135°15'

26"; C/L chimney on main part of 1 story house about 1 mi. in azimuth 201°14'21".

X-1,969,364.46 Y-532,672.91 El. 1324.465 ft.

8-F-39 TT 1938; Garfield Co., 4.0 mi. N. & 11.9 mi. W. of Enid; 27.0 ft. S. & 398.0 ft. E. of approx. NW. cor. sec. 20, T23N, R8W; 3.0 ft. W. & 1.5 ft. S. of power pole; 1.5 ft. N. of S. R/W fence. OSCC Marker. C/L chimney on 2 story house about 1.75 mi. in azimuth 219°05'18"; C/L chimney on 1 story house about 1 mi. in azimuth 311°36'28"; C/L N. gable on 2 story house about 1 mi. in azimuth 345°48'55".

X-1,974,972.04 Y-532,590.97 El. 1329.242 ft.

BM; Garfield Co., E. of approx. NW. cor. sec. 20, T23N, R8W; chiseled sq. on E. end of S. conc. hdw. of a 36" x 21' G.I.P. culvert.

El. 1311.964 ft.

8-F-40 TT 1938; Garfield Co., 4.0 mi. N. & 11.5 mi. W. of Enid; 26.0 ft. N. & 264.0 ft. E. of approx. S $\frac{1}{2}$ cor. sec. 17, T23N, R8W; 135.0 ft. SE. of SE. cor. Glenella schoolhouse; 2.5 ft. E. of E. school yard fence; 2.0 ft. N. of N. R/W fence. OSCC Marker. C/L chimney on sq. top 1 story house about 1 mi. in azimuth 154°43'16"; C/L E. chimney on 1 story T-shaped house about 1 mi. in azimuth 205°37'51"; C/L E. chimney on 1 story house about 0.75 mi. in azimuth 332°49'06".

X-1,977,479.06 Y-532,646.27 El. 1332.863 ft.

8-F-41 TT 1938; Garfield Co., 4.0 mi. N. & 11.0 mi. W. of Enid; 191.0 ft. N. & 24.0 ft. E. of approx. SW. cor. sec. 16, T23N, R8W; 2.0 ft. W. of E. R/W fence; due E. of large barn at O.R. Quigley's home. OSCC Marker. C/L chimney on 2 story house about 0.75 mi. in azimuth 21°03'28"; C/L E. chimney on 1 story T-shaped house about 0.75 mi. in azimuth 177°52'06"; C/L SW. cor. of roof on conc. elevator in Carrier about 3 mi. in azimuth 250°14'13".

X-1,979,887.41 Y-532,808.89 El. 1335.264 ft.

BM; Garfield Co., 0.25 mi. E. of approx. NW. cor. sec. 21, T23N, R8W; chiseled sq. in center of N. conc. banister of double 12 x 12 x 20 ft. conc. culvert.

El. 1305.824 ft.

8-F-42 TT 1938; Garfield Co., 4.5 mi. N. & 9.0 mi. W. of Enid; 257.0 ft. S. & 32.0 ft. W. of approx. E $\frac{1}{2}$ cor. sec. 15, T23N, R8W; 2.0 ft. E. of W. R/W fence; 12.0 ft. S. & 2.0 ft. W. of power pole; approx. 800.0 ft. SW. of small sq. farmhouse. OSCC Marker. C/L chimney on 2 story house about 2 mi. in azimuth 142°10'12"; C/L SW. cor. roof on conc. elevator in Carrier about 1 mi. in azimuth 230°06'27"; C/L chimney on 2 story house about 0.75 mi. in azimuth 306°54'05".

X-1,990,380.50 Y-535,009.32 El. 1343.662 ft.

8-F-43 TT 1938; Garfield Co., 4.0 mi. N. & 6.5 mi. W. of Enid; 35.0 ft. N. & 82.0 ft. E. of approx. S $\frac{1}{2}$ cor. sec. 18, T23N, R7W; 7.0 ft. N. of N. R/W fence, midway between RR R/W cor. post & RR phone pole #308; 92.0 ft. W. of near rail; 45.5 ft. S. of near rail. OSCC Marker. C/L E. chimney on 1 $\frac{1}{2}$ story house about 1 mi. in azimuth 164°32'07"; C/L SW. peak of roof on elevator about 1.5 mi. in azimuth 218°22'43"; C/L W. chimney on 1 story house about 1 mi. in azimuth 331°25'16".

X-2,003,460.80 Y-532,734.54 El. 1357.908 ft.

8-F-44 TT 1938; Garfield Co., 4.0 mi. N. & 5.8 mi. W. of Enid; 27.0 ft. S. & 1369.0 ft. E. of approx. NW. cor. sec. 20, T23N, R7W; 1.0 ft. S. of S. R/W fence; 38.0 ft. E. of E. gate post. OSCC Marker. C/L W. chimney on 1-story house about 0.75 mi. in azimuth 14°25'28"; C/L S. chimney on 1 story sq. top house about 1 mi. in azimuth 153°59'23"; C/L SW. peak of roof on elevator near Santa Fe RR about 1 mi. in azimuth 192°45'36".

X-2,007,387.51 Y-532,649.61 El. 1357.507 ft.

8-F-45 TT 1938; Garfield Co., 4.0 mi. N. & 4.6 mi. W. of Enid; 30.0 ft. N. & 500.0 ft. W. of approx. S $\frac{1}{2}$ cor. sec. 16, T23N, R7W; in hwy. & RR R/W fence cor., 3.0 ft. N. of N. hwy. R/W fence; 2.0 ft. W. of E. RR fence; 3.0 ft. N. & 7.0 ft. W. of rural phone pole; 50.0 ft. E. of near rail; 60.0 ft. N. & 40.0 ft. W. of R.E.A. pole. OSCC Marker. C/L chimney on 2 story house about 0.75 mi. in azimuth 91°15'45"; C/L chimney on 2 story house about 0.5 mi. in azimuth 274°03'37".

X-2,013,322.28 Y-532,704.34 El. 1323.293 ft.

- 8-F-46 TT 1938; Garfield Co., 4.0 mi.N. & 3.6 mi.W. of Enid; 39.0 ft. S. & 673.0 ft.W. of approx. $N\frac{1}{2}$ cor. sec. 22, T23N, R7W; 1.0 ft. N. of S.R/W fence. OSCC Marker. C/L chimney on 1 story house about 1.5 mi. in azimuth $36^{\circ}07'50''$; C/L E. chimney on 2 story T-shaped house about 1.5 mi. in azimuth $167^{\circ}06'15''$; C/L steeple on schoolhouse about 1.75 mi. in azimuth $320^{\circ}26'18''$.
- X-2,018,503.56 Y-532,654.09 El. 1344.141 ft.
- 8-F-47 TT 1938; Garfield Co., 4.0 mi.N. & 3.0 mi.W. of Enid; 30.0 ft. N. & 541.0 ft.E. of approx. SW. cor. sec. 14, T23N, R7W; 2.0 ft. N. of N.R/W fence. OSCC Marker. C/L chimney on 2 story house about 0.5 mi. in azimuth $19^{\circ}25'10''$; C/L E. chimney on 2 story T-shaped house about 2 mi. in azimuth $146^{\circ}40'30''$; C/L W. chimney on 1 story house about 0.37 mi. in azimuth $248^{\circ}27'08''$.
- X-2,022,349.55 Y-532,733.19 El. 1366.860 ft.
- 8-F-48 TT 1938; Garfield Co., 4.0 mi.N. & 2.0 mi.W. of Enid; 117.0 ft. S. & 22.0 ft.E. of approx. NW. cor. sec. 24, T23N, R7W; 1.5 ft. W. of E.R/W fence. OSCC Marker. C/L steeple on church about 1.5 mi. in azimuth $40^{\circ}39'37''$; C/L chimney on house (roof only visible) about 1 mi. in azimuth $182^{\circ}09'27''$; C/L chimney on sq. top house about 0.75 mi. in azimuth $303^{\circ}11'37''$.
- X-2,027,118.39 Y-532,596.70 El. 1333.617 ft.
- 8-F-49 TT 1938; Garfield Co., 4.0 mi.N. & 1.0 mi.W. of Enid; 34.0 ft. N. & 78.0 ft.W. of approx. SE. cor. sec. 13, T23N, R7W; 5.0 ft. N. of N.R/W fence; 20.0 ft. S. & 7.0 ft. E. of R.E.A. feeder line; 65.0 ft. N. & 63.0 ft. W. of R. E.A. transformer pole #683. OSCC Marker. C/L chimney on 2 story house about 0.5 mi. in azimuth $00^{\circ}58'46''$; C/L chimney on 2 story house about 1 mi. in azimuth $177^{\circ}45'34''$; C/L N. chimney on 2 story house about 1.25 mi. in azimuth $235^{\circ}50'14''$.
- X-2,032,351.54 Y-532,713.12 El. 1318.302 ft.
- 8-F-50 TT 1938; Garfield Co., 3.9 mi.N. & 0.5 mi.E. of Enid; 648.0 ft. S. & 27.0 ft.E. of approx. $N\frac{1}{2}$ cor. sec. 20, T23N, R6W; 2.5 ft. E. of E. R/W fence; 2.5 ft. N. of cross fence to E. OSCC Marker. C/L spire on Enid Catholic Church in azimuth $15^{\circ}16'24''$; C/L N. chimney on 2 story house about 0.75 mi. in azimuth $158^{\circ}06'19''$; C/L chimney on 2 story house about 1.5 mi. in azimuth $241^{\circ}19'51''$.
- X-2,040,173.02 Y-532,059.71 El. 1282.701 ft.
- 8-F-51 TT 1938; Garfield Co., 4.1 mi.N. & 2.0 mi.E. of Enid; 564.0 ft. N. & 27.0 ft.W. of approx. SE. cor. sec. 16, T23N, R6W; 2.0 ft. E. of W. R/W fence; 53.0 ft. W. of & 25.0 ft. N. of 20" cottonwood tree; 119.0 ft. N. of 1st R.E.A. pole N. of SE. cor. of sec. OSCC Marker. C/L NE. peak roof on most easterly of conc. elevators of Farmers Equity Elevator in Enid in azimuth $15^{\circ}52'54''$; C/L flat pole on Youngblood Hotel in Enid in azimuth $25^{\circ}35'11''$; C/L chimney on 1 story sq. shaped house about 1 mi. in azimuth $141^{\circ}50'26''$.
- X-2,048,026.51 Y-533,236.14 El. 1265.035 ft.
- Enid Tri. Sta. (Garfield Co., W. Bowie, 1902) 2.0 mi. N. & 2.5 mi. E. of Enid in sec. 22, T23N, R6W; in line of fence on S. side of road on property owned in 1902 by Mr. Smith. Surface & underground marks are iron nails in terra-cotta pipes filled with & set in conc., notes 17 & 19.
- X-2,053,101.20 Y-532,541.27 El. 1263.413 ft.
- Reference mark is iron nail in terra-cotta pipe filled with & set in conc., note 21, in NE. cor. of Mr. Smith's property, very near sec. cor. & is 66.166 m. (217.08 ft.) from station in azimuth $271^{\circ}22'36''$; Sec. cor. common to sec's. 14, 15, 22, & 23 is 76.318 m. (250.39 ft.) from station in azimuth $264^{\circ}21'36''$.

Traverse 8-H; Alfalfa & Woods Co.
8-C-1 TT 1934 to 8-C-24 TT 1934
North Projection

8-C-1 TT 1934; Junction Station. See Traverse 8-C.

8-H-1 TT 1938; Alfalfa Co., 8.25 mi.N. & 11.75 mi.E. of Cherokee; near center approx. SE $\frac{1}{4}$ sec. 27, T28N, R9W; on top of highest sand dune in vicinity. OSCC Marker. C/L rod on windmill about 0.25 mi. in azimuth 41° 40' 35"; C/L E. peak of barn about 0.75 mi. in azimuth 149° 34' 05"; C/L rod on windmill about 0.75 mi. in azimuth 218° 58' 10".
X-1,956,343.59 Y-681,631.49 El. 1370.684 ft.

8-H-2 TT 1938; Alfalfa Co., 8.75 mi.N. & 11.0 mi.E. of Cherokee; 978.0 ft.S. & 32.0 ft.E. of approx. NW. cor. sec. 27, T28N, R9W; 2.5 ft.W. of E. R/W fence on small sandy knoll; 16.4 ft.S. of farm phone pole. OSCC Marker. C/L E. peak of roof on barn about 0.25 mi. in azimuth 248° 26' 09".
X-1,952,218.27 Y-684,799.76 El. 1326.597 ft.

8-H-3 TT 1938; Alfalfa Co., 9.75 mi.N. & 11.0 mi.E. of Cherokee; 1.5 ft.N. & 23.0 ft.W. of approx. SE. cor. NE. NE. sec. 21, T28N, R9W; 2.5 ft.W. of W. R/W fence; between two fences on disputed 1/16 sec. line; 1.5 ft.S. of N. disputed fence; approx. 0.25 mi.N. of schoolhouse. OSCC Marker. C/L S. peak of N. elevator at Byron about 7.0 mi. in azimuth 92° 46' 52"; C/L chimney on house about 0.25 mi. in azimuth 184° 09' 42"; C/L chimney on school house about 0.25 mi. in azimuth 355° 55' 22".
X-1,952,173.99 Y-689,738.73 El. 1330.227 ft.

8-H-4 TT 1938; Alfalfa Co., 10.0 mi.N. & 9.25 mi.E. of Cherokee; 21.0 ft.S. & 1280.0 ft.E. of approx. NW. cor. sec. 20, T28N, R9W; 1.0 ft.N. of S. R/W fence; 210.0 ft.W. & 12.0 ft.S. of SW. cor. of 2 x 3 ft. conc. box culvert. OSCC Marker. C/L chimney on schoolhouse about 0.5 mi. in azimuth 25° 40' 43"; C/L chimney on T-shaped 1 story house about 0.25 mi. in azimuth 97° 12' 50"; C/L rod on windmill about 0.62 mi. in azimuth 171° 16' 13".
X-1,942,872.40 Y-691,102.34 El. 1194.488 ft.

8-H-5 TT 1938; Alfalfa Co., 10.0 mi.N. & 8.3 mi.E. of Cherokee; 11.5 ft.N. & 1272.0 ft.E. of approx. SW. cor. sec. 18, T28N, R9W; OSCC Marker set flush with surface in NE. wingwall of Sand Creek steel trussed bridge. C/L chimney on schoolhouse about 0.75 mi. in azimuth 307° 43' 42"; C/L chimney on church about 0.25 mi. in azimuth 85° 29' 37"; C/L chimney on a "T" shaped farmhouse about 0.5 mi. in azimuth 144° 15' 30".
X-1,937,960.64 Y-691,227.24 El. 1176.089 ft.

8-H-6 TT 1938; Alfalfa Co., 10.0 mi.N. & 8.0 mi.E. of Cherokee; 262.0 ft.N. & 33.0 ft.W. of approx. SE. cor. sec. 13, T28N, R10W; 2.5 ft.E. of W. R/W fence between W. R/W fence & row of locust & cottonwood trees; approx. 400.0 ft.NE. of Bethel Assembly of God Church. OSCC Marker. C/L chimney on church about 0.07 mi. in azimuth 13° 25' 02"; C/L S. peak of roof on barn about 0.5 mi. in azimuth 121° 18' 02"; C/L chimney on 1 story farmhouse about 0.5 mi. in azimuth 268° 11' 39".
X-1,936,659.88 Y-691,497.98 El. 1176.641 ft.

BM; 1938; Alfalfa Co., 0.4 mi.E. of approx. SW. cor. sec. 13, T28N, R10W; chiseled sq. on NW. wingwall of a 4-span steel truss bridge across Sandy Creek. El. 1175.476 ft.

8-H-7 TT 1938; Alfalfa Co., 10.0 mi.N. & 6.6 mi.E. of Cherokee; 314.0 ft.N. & 301.0 ft.E. of approx. S $\frac{1}{4}$ cor. sec. 14, T28N, R10W; 1.0 ft.E. of W. drive fence; 280.0 ft.N. of N. R/W fence; 4.0 ft.S. of R.E.A. pole. OSCC Marker. C/L N. peak of roof on 1 story house about 0.75 mi. in azimuth 49° 57' 14"; C/L W. chimney on Green's 1 story house about 0.75 mi. in azimuth 199° 14' 21"; C/L W. peak of roof on barn about 0.25 mi. in azimuth 314° 47' 14".
X-1,929,081.04 Y-691,523.41 El. 1187.650 ft.

8-H-8 TT 1938; Alfalfa Co., 10.1 mi.N. & 6.0 mi.E. of Cherokee; 768.0 ft.N. & 23.0 ft.E. of approx. SW. cor. sec. 14, T28N, R10W; 2.5 ft.W. of E. R/W fence; 7.0 ft.N. & 2.0 ft.W. of 18" cottonwood tree; 3.0 ft.S. & 47.0 ft.E. of 20" cottonwood stump 3.5 ft. high. OSCC Marker. C/L chimney on 2 story sq. house about 0.75 mi. in azimuth 122° 09' 06"; C/L W. chimney on 2 story

- house about 0.75 mi. in azimuth $225^{\circ}09'13''$; C/L chimney on 2 story house about 0.25 mi. in azimuth $322^{\circ}31'48''$.
 X-1,926,179.70 Y-691,974.22 El. 1192.305 ft.
 8-H-9 TT 1938; Alfalfa Co., 10.2 mi. N. & 5.5 mi. E. of Cherokee; 322.0 ft. S. & 2.5 ft. E. of approx. NW. cor. sec. 15, T28N, R10W; 80.0 ft. S. of large twin cottonwood tree; in N-W row of trees. OSCC Marker. C/L SE. peak of roof on elevator at Byron in azimuth $84^{\circ}26'51''$; C/L W. peak roof on barn about 0.5 mi. in azimuth $225^{\circ}24'36''$; C/L chimney on 2 story house about 0.62 mi. in azimuth $293^{\circ}41'21''$.
 X-1,923,499.68 Y-692,355.74 El. 1196.324 ft.
 8-H-10 TT 1938; Alfalfa Co., 10.0 mi. N. & 5.0 mi. E. of Cherokee; 37.0 ft. N. & 32.0 ft. W. of approx. SE. cor. sec. 16, T28N, R10W; 2.5 ft. W. of W. R/W fence; 2.5 ft. N. of N. R/W fence; 62.0 ft. W. of 30" cottonwood tree. OSCC Marker. C/L steeple on church in Byron about 1.25 mi. in azimuth $103^{\circ}10'06''$; C/L SE. peak of roof on elevator in Byron about 1 mi. in azimuth $92^{\circ}38'21''$; C/L W. peak roof on barn about 1.5 mi. in azimuth $233^{\circ}13'31''$.
 X-1,920,803.44 Y-691,275.76 El. 1191.733 ft.
 BM 1938; Alfalfa Co., 0.4 mi. E. of approx. SW. cor. sec. 16, T28N, R10W; chiseled sq. on N. conc. headwall of a double 3 x 5 x 30 ft. conc. culvert.
 El. 1188.644 ft.
 8-H-11 TT 1938; Alfalfa Co., 10.0 mi. N. & 3.8 mi. E. of Cherokee on S. edge of town of Byron; 22.0 ft. S. & 1175.0 ft. W. of approx. NE. cor. sec. 20, T28N, R10W; in angle of S. headwall of 2 x 3 ft. conc. box culvert; 33.0 ft. W. of C/L of Main St. of Byron; 468.0 ft. W. of near rail of main track of K.C.M. & O. RR. OSCC Marker set flush with surface. C/L chimney on Byron schoolhouse about 0.25 mi. in azimuth $108^{\circ}23'37''$; C/L SE. peak roof on N. elevator about 0.16 mi. in azimuth $246^{\circ}33'00''$; C/L chimney on AT&SF RR depot about 0.09 mi. in azimuth $341^{\circ}59'45''$.
 X-1,914,376.14 Y-691,226.99 El. 1192.567 ft.
 8-H-12 TT 1938; Alfalfa Co., 10.0 mi. N. & 2.2 mi. E. of Cherokee; 30.0 ft. S. & 1547.0 ft. E. of approx. NW. cor. sec. 19, T28N, R10W; 1.5 ft. N. of S. R/W fence in range of cross fence to S., 6.0 ft. NW. of transformer pole; 100.0 ft. E. of drive to Bishop's farmhouse. OSCC Marker. C/L chimney on 2 story house about 0.75 mi. in azimuth $165^{\circ}45'04''$; C/L steeple on Amorita Church about 2.5 mi. in azimuth $220^{\circ}41'49''$; C/L W. chimney on 1 story house about 1 mi. in azimuth $335^{\circ}38'24''$.
 X-1,907,044.51 Y-691,268.08 El. 1213.169 ft.
 BM 1938; Alfalfa Co., 0.25 mi. W. of approx. SE. cor. sec. 24, T28N, R11W; chiseled sq. on SE. conc. wingwall of 5 x 40 x 16 ft. steel "I" beam bridge.
 El. 1199.054 ft.
 8-H-13 TT 1938; Alfalfa Co., 10.0 mi. N. & 1.4 mi. E. of Cherokee; 14.0 ft. N. & 300.0 ft. W. of approx. $S\frac{1}{4}$ cor. sec. 13, T28N, R11W. OSCC Marker set flush with surface in NE. wingwall of steel trussed bridge over main channel of Medicine River. C/L highest silo about 0.75 mi. in azimuth $33^{\circ}55'23''$; C/L chimney on 2 story house with 2 gables about 1.5 mi. in azimuth $194^{\circ}18'40''$; C/L E. chimney on T-shaped 1 story house about 0.5 mi. in azimuth $310^{\circ}06'05''$.
 X-1,902,492.99 Y-691,380.84 El. 1205.504 ft.
 8-H-14 TT 1938; Alfalfa Co., 10.0 mi. N. & 1.0 mi. E. of Cherokee; 31.0 ft. S. & 298.0 ft. W. of approx. NE. cor. sec. 23, T28N, R11W; 1.0 ft. N. of S. R/W fence; 82.0 ft. W. of cross fence to S. OSCC Marker. C/L elevator in Driftwood about 1.5 mi. in azimuth $32^{\circ}42'01''$; C/L steeple on church about 2 mi. in azimuth $151^{\circ}16'56''$; C/L chimney on farmhouse about 0.1 mi. in azimuth $262^{\circ}03'06''$.
 X-1,899,865.87 Y-691,362.63 El. 1205.437 ft.
 8-H-15 TT 1938; Alfalfa Co., 10.0 mi. N. & 0.5 mi. E. of Cherokee; 39.0 ft. N. & 2.5 ft. E. of approx. $S\frac{1}{4}$ cor. sec. 14, T28N, R11W; 4.0 ft. N. of N. R/W fence. OSCC Marker. C/L elevator in Driftwood about 1.5 mi. in azimuth $17^{\circ}36'17''$; C/L steeple on church about 2 mi. in azimuth $157^{\circ}55'07''$; C/L chimney on 1 story box shaped house about 0.5 mi. in azimuth $269^{\circ}51'55''$.
 X-1,897,539.73 Y-691,461.10 El. 1201.751 ft.

8-H-16 TT 1938; Alfalfa Co., 9.8 mi.N.& 1.0 mi.W.of Cherokee; 999.0 ft.S.& 30.0 ft.E.of approx.NW.cor.sec.22,T28N,R11W; 2.5 ft.E.of E. R/W fence; 2.5 ft.N.of R.E.A. pole. OSCC Marker. C/L chimney on 2 story house about 1 mi.in azimuth $58^{\circ}04'50''$; C/L chimney on 2 story house about 0.5 mi.in azimuth $183^{\circ}31'50''$; C/L peak roof on elevator in Driftwood about 2 mi.in azimuth $319^{\circ}19'00''$.

X-1,889,670.39 Y-690,538.65 El. 1203.311 ft.

BM 1938; Alfalfa Co., in approx.NE.cor.sec.20,T28N,R11W; chiseled sq.on W.end of S.conc.headwall of a 3 x 2 x 34 ft.conc.culvert under E-W Co.road. El. 1209.122 ft.

8-H-17 TT 1938; Alfalfa Co., 10.0 mi.N.& 3.25 mi.W.of Cherokee; 36.0 ft.S.& 1354.0 ft.W.of approx.NE.cor.sec.19,T28N,R11W; 5.0 ft.S.of S. R/W fence; 3.0 ft.E.of cross fence to S.in NW.cor.of cultivated field atop 5.0 ft.bank on S.side of Co.road; 6.0 ft.SE.of phone pole. OSCC Marker. C/L chimney on 2 story house in grove of trees about 0.75 mi.in azimuth $43^{\circ}32'20''$; C/L W.chimney on 2 story house about 1 mi.in azimuth $217^{\circ}07'30''$; C/L chimney on church about 0.25 mi.in azimuth $320^{\circ}35'32''$.

X-1,877,707.46 Y-691,514.91 El. 1221.145 ft.

8-H-18 TT 1938; Alfalfa Co., 10.0 mi.N.& 3.5 mi.W.of Cherokee; in town of Burlington; near S.center sec.18,T28N,R11W; 30.0 ft.N.of C/L E-W sec.line; 4.0 ft.E.of E.rail of main track of AT&SF RR; 6.0 ft.W.of W.rail of siding; 20.0 ft.NE.of switch stand; 262.0 ft.S.of AT&SF RR depot; 161.0 ft.W.of C/L Burlington main St. OSCC Marker. C/L S.chimney on 2 story house about 0.19 mi.in azimuth $123^{\circ}33'22''$; C/L W.peak S.elevator about 0.09 mi.in azimuth $161^{\circ}59'52''$; C/L chimney on house about 0.11 mi.in azimuth $352^{\circ}54'09''$.

X-1,876,222.35 Y-691,575.42 El. 1216.225 ft.

8-H-19 TT 1938; Alfalfa Co., 10.0 mi.N.& 4.25 mi.W.of Cherokee; 4.0 ft.S.& 2389.0 ft.W.of approx.NE.cor.sec.24,T28N,R12W; 29.0 ft.N.of S.R/W fence; 53.0 ft.SW.of C/L OK.Hwy.#8; 2.0 ft.W.of cross fence to S. which is W.R/W fence at this point; 83.0 ft.NE.of phone pole. OSCC Marker. C/L chimney on $1\frac{1}{2}$ story stucco house about 0.75 mi.in azimuth $147^{\circ}32'49''$; C/L W.peak of S.elevator in Burlington in azimuth $262^{\circ}49'46''$; C/L E.chimney on 2 story house about 1 mi.in azimuth $344^{\circ}15'01''$.

X-1,872,380.33 Y-691,545.54 El. 1224.124 ft.

BM 1938; Alfalfa Co., 0.4 mi.E.of approx.NW.cor.sec.24,T28N,R12W; chiseled sq.on W.end of SW.wingwall of a 60.0 ft.steel girder bridge across Driftwood Creek. El. 1211.393 ft.

8-H-20 TT 1938; Alfalfa Co., 10.0 mi.N.& 5.8 mi.W.of Cherokee; 58.0 ft.S.& 931.0 ft.E.of approx.NW.cor.sec.23,T28N,R12W; 23.0 ft.S.of S.R/W fence; 98.0 ft.N.& 78.0 ft.W.of NW.cor.of farmhouse; 2.5 ft.E.of W.yard fence. OSCC Marker. C/L shaft on Air Beacon #21 about 1.5 mi.in azimuth $10^{\circ}36'58''$; C/L E.chimney on 1 story house about 0.17 mi.in azimuth $140^{\circ}22'00''$; C/L chimney on stucco house about 1.25 mi.in azimuth $222^{\circ}51'00''$.

X-1,864,283.30 Y-691,506.18 El. 1255.570 ft.

BM 1938; Alfalfa Co., in approx.NW.cor.sec.26,T28N,R12W; chiseled sq.on W.cor.of conc.base of T.A.T. airway beacon #21. El. 1229.667 ft.

Dreyer Tri.Sta. (Alfalfa Co. C.I.A. 1934)- Approx. 6.0 mi.E.& 3.0 mi. S.of Capron; in approx.SE $\frac{1}{2}$ sec.35,T28N,R12W; on small knoll in pasture land owned by Wm. Dreyer who lives 0.15 mi.N.of sta. Reached from Capron by going E.on OK.Hwy.#42 for 5.0 mi.to intersection with OK.Hwy.#8; continue E. 1.0 mi.to crossroads, thence S. 2.0 mi.to top of ridge & small church to SE., continue S. 0.7 mi.to entrance to Mr. William Dreyer's farm. Turn E.for 0.3 mi.to farmhouse, go thru gate at NE.cor.of barn & go S.SE.for 0.15 mi.to top of knoll & station. Sta., underground, reference & azimuth marks are bronze tablets set in conc.as described in notes 1b, 7a, 11b, & 11a.

X-1,865,021.96 Y-676,101.48 El. 1302.098 ft.

R.M.#1 is 89.833 m. (294.73 ft.) SW.of sta., set in N-S fence line which separates pasture from wheat field in azimuth $50^{\circ}26'02''$.

El. 1283.287 ft.

Traverse in Northwestern Oklahoma

- R.M.#2 is W.NW. of sta. set in same fence as #1, 90.570 m. (297.15 ft.) in azimuth 129°15'06". El. 1294.871 ft.
Azimuth mark is 0.9 mi. W. of sta., reached by going N. & W. 0.45 mi. to entrance to Dreyer place, thence S. 0.3 mi. to crossroads, thence W. 0.6 mi. to mark in S.R/W fence line; 40.0 ft. S. of C/L dirt road, in azimuth 85°22'53". C/L Air Beacon #21 in azimuth 170°18'28".
- 8-H-21 TT 1938; Alfalfa Co., 10.0 mi. N. & 7.7 mi. W. of Cherokee; 32.0 ft. N. & 960.0 ft. W. of approx. S $\frac{1}{2}$ cor. sec. 16, T28N, R12W; 1.0 ft. S. of N.R/W fence in range of W. yard fence; 109.0 ft. S. & 36.0 ft. W. of SW. cor. of house; 10.0 ft. S. & 40.0 ft. W. of SW. cedar tree; 89.0 ft. W. of W. gate post of drive to farmhouse. OSCC Marker. C/L E. chimney on house about 0.25 mi. in azimuth 59°35'14"; C/L W. chimney on T-shaped house about 1 mi. in azimuth 167°51'44"; C/L chimney on church house about 2.5 mi. in azimuth 320°27'21".
- X-1,854,362.94 Y-691,657.61 El. 1255.429 ft.
8-H-22 TT 1938; Alfalfa Co., 10.0 mi. N. & 9.0 mi. W. of Cherokee; 52.0 ft. S. & 32.0 ft. W. of approx. NE. cor. sec. 19, T28N, R12W; 10.0 ft. S. of S.R/W fence; 2.0 ft. W. of W.R/W fence; 14.0 ft. S. & 4.0 ft. W. of R.E.A. pole. OSCC Marker. C/L chimney on L-shaped unpainted house about 1 mi. in azimuth 126°24'10"; C/L chimney on 1 story stucco house about 0.25 mi. in azimuth 159°45'15"; C/L W. chimney on house about 1 mi. in azimuth 278°45'02".
- X-1,847,363.54 Y-691,610.09 El. 1267.104 ft.
8-H-23 TT 1938; Woods Co., 6.7 mi. N. & 7.0 mi. E. of Alva; 1057.0 ft. N. & 23.0 ft. W. of approx. SE. cor. sec. 13, T28N, R13W; 2.0 ft. E. of W.R/W fence. OSCC Marker. C/L N. gable on house about 0.37 mi. in azimuth 31°48'29"; C/L E. chimney on 1 story house about 0.5 mi. in azimuth 178°29'32"; C/L W. chimney on 1 story box shaped house about 1.25 mi. in azimuth 323°25'59".
- X-1,842,069.50 Y-692,831.86 El. 1280.844 ft.
8-H-24 TT 1938; Woods Co., 6.8 mi. N. & 6.0 mi. E. of Alva; 1686.0 ft. N. & 49.0 ft. W. of approx. SE. cor. sec. 14, T28N, R13W; in SE. cor. of cemetery; 2.0 ft. W. of W.R/W fence; 2.0 ft. N. of cross fence to W. (S. fence of cemetery) OSCC Marker.
- X-1,836,798.04 Y-693,409.90 El. 1310.246 ft.
8-H-25 TT 1938; Woods Co., 6.5 mi. N. & 4.0 mi. E. of Alva; 33.0 ft. S. & 143.0 ft. W. of approx. NE. cor. sec. 21, T28N, R13W; 1.0 ft. N. of S.R/W fence; 100.0 ft. W. of W. gate post in S.R/W fence; 12.0 ft. E. of R.E.A. pole. OSCC Marker. C/L chimney on 2 story house about 1 mi. in azimuth 53°30'12"; C/L chimney on 1 $\frac{1}{2}$ story stucco house about 0.5 mi. in azimuth 180°04'59"; C/L W. peak of roof of S. elevator of Farmer's Coop. Elev. Assoc. in Capron about 0.75 mi. in azimuth 287°31'57".
- X-1,826,059.88 Y-691,753.64 El. 1298.716 ft.
8-H-26 TT 1938; Woods Co., 6.5 mi. N. & 2.9 mi. E. of Alva; 37.0 ft. N. & 473.0 ft. W. of approx. SE. cor. sec. 17, T28N, R13W; 2.0 ft. N. of N.R/W fence; 2.6 ft. E. of cross fence to N. OSCC Marker. C/L S. chimney on T-shaped house about 0.5 mi. in azimuth 91°34'58"; C/L chimney on 1 story house about 0.75 mi. in azimuth 159°23'08"; C/L chimney on T-shaped house about 0.37 mi. in azimuth 332°09'00".
- X-1,820,504.17 Y-691,877.49 El. 1315.498 ft.
8-H-27 TT 1938; Woods Co., 7.1 mi. N. & 1.0 mi. E. of Alva; 453.0 ft. N. & 27.0 ft. W. of approx. E $\frac{1}{4}$ cor. sec. 13, T28N, R14W; OSCC cap set flush with surface in S. end of W. headwall of 4 x 6 ft. conc. box culvert. C/L vent on barn about 0.5 mi. in azimuth 33°10'36"; C/L chimney on 1 story box shaped house about 0.37 mi. in azimuth 318°00'51".
- X-1,810,585.78 Y-695,051.11 El. 1371.605 ft.
8-H-28 TT 1938; Woods Co., 6.6 mi. N. of Alva; 445.0 ft. N. & 773.0 ft. W. of approx. SE. cor. sec. 14, T28N, R14W; in pasture on top of plateau overlooking broad valley to E. OSCC Marker.
- X-1,804,523.97 Y-692,293.19 El. 1487.979 ft.
8-H-29 TT 1938; Woods Co., 6.5 mi. N. & 0.8 mi. W. of Alva; 25.0 ft. S.

& 923.0 ft. E. of approx. NW. cor. sec. 23, T28N, R14W; 2.0 ft. S. of S.R/W fence; 2.5 ft. E. of cross fence to S., 118.0 ft. E. of R.E.A. transformer & meter pole. OSCC Marker. C/L chimney on 1 story house about 0.75 mi. in azimuth 89°45'24"; C/L chimney on 1½ story house about 0.25 mi. in azimuth 171°11'02".

X-1,801,020.24 Y-691,867.06 El. 1482.319 ft.

8-H-30 TT 1938; Woods Co., 6.9 mi. N. & 1.8 mi. W. of Alva; 606.0 ft. S. & 736.0 ft. E. of approx. W¼ cor. sec. 15, T28N, R14W; on top of prominent dome in pasture. OSCC Marker. C/L chimney on 1 story house across river about 2 mi. in azimuth 56°46'40"; C/L chimney on 1 story L-shaped house about 1 mi. in azimuth 176°51'50"; C/L chimney on small 1 story house facing S. about 0.5 mi. in azimuth 318°33'40".

X-1,795,635.68 Y-693,879.52 El. 1508.163 ft.

8-H-31 TT 1938; Woods Co., 7.5 mi. N. & 3.75 mi. W. of Alva; 21.0 ft. N. & 23.0 ft. W. of approx. SE. cor. SW. sec. 8, T28N, R14W; 2.3 ft. W. of W. R/W fence; 2.6 ft. S. & 2.3 ft. W. of large cor. post. OSCC Marker. C/L chimney on 1 story house on horizon about 2 mi. in azimuth 04°12'01"; C/L chimney on 1 story house about 2 mi. in azimuth 248°02'56".

X-1,785,686.33 Y-697,341.30 El. 1409.740 ft.

8-H-32 TT 1938; Woods Co., 7.5 mi. N. & 5.3 mi. W. of Alva; 23.0 ft. S. & 1050.0 ft. E. of approx. N¼ cor. sec. 13, T28N, R15W; 1.5 ft. S. of S.R/W fence; 294.0 ft. W. of cross fence to N. OSCC Marker. C/L chimney on Greenleaf schoolhouse about 1.75 mi. in azimuth 90°09'23"; C/L chimney on small 1 story T-shaped house about 0.75 mi. in azimuth 168°10'18"; C/L W. gable on large 1½ story T-shaped house on horizon about 3 mi. in azimuth 283°40'53".

X-1,777,726.37 Y-697,388.67 El. 1484.915 ft.

8-H-33 TT 1938; Woods Co., 7.5 mi. N. & 7.0 mi. W. of Alva; 227.0 ft. S. & 26.0 ft. W. of approx. NE. cor. sec. 15, T28N, R15W; 76.0 ft. S. & 79.0 ft. E. of SE. cor. of Greenleaf schoolhouse; 10.5 ft. N. of S. schoolyard fence; 2.5 ft. W. of W.R/W fence. OSCC Marker. C/L S. gable of large 1½ story T-shaped house about 1.5 mi. in azimuth 01°19'23"; C/L chimney on 1½ story "X" shaped house about 0.5 mi. in azimuth 270°04'38".

X-1,768,755.47 Y-697,324.21 El. 1539.329 ft.

8-H-34 TT 1938; Woods Co., 6.5 mi. N. & 7.5 mi. W. of Alva; 24.5 ft. S. & 43.0 ft. W. of approx. N¼ cor. sec. 22, T28N, R15W; 2.0 ft. N. of S.R/W fence; 22.0 ft. W. of W. gate post in S.R/W fence. OSCC Marker. C/L S. gable of large 2 story house on horizon about 6 mi. in azimuth 132°32'02"; C/L chimney on Greenleaf schoolhouse about 1 mi. in azimuth 206°59'55"; C/L N. gable of large 1½ story T-shaped house about 0.75 mi. in azimuth 303°52'17".

X-1,766,028.93 Y-692,282.45 El. 1551.475 ft.

BM 1938; Woods Co., 0.2 mi. E. of SW. cor. sec. 16, T28N, R15W; chiseled sq. on E. end of N. headwall of 2 x 2 x 24 ft. conc. culvert.

El. 1534.901 ft.

8-H-35 TT 1938; Woods Co., 6.5 mi. N. & 9.4 mi. W. of Alva; 29.0 ft. N. & 562.0 ft. E. of approx. S¼ cor. sec. 17, T28N, R15W; 1.0 ft. S. of N.R/W fence. OSCC Marker. C/L SE. cor. chimney on shack about 0.12 mi. in azimuth 109°29'14"; C/L W. chimney on 1 story house about 3 mi. in azimuth 223°00'24".

X-1,756,123.77 Y-692,395.48 El. 1561.475 ft.

BM 1938; Woods Co., 0.4 mi. N. of approx. S¼ cor. sec. 17, T28N, R15W; chiseled sq. on NW. cor. of conc. wingwall of 30 ft. steel "I" beam bridge.

El. 1524.985 ft.

8-H-36 TT 1938; Woods Co., 7.5 mi. N. & 10.0 mi. W. of Alva; 28.0 ft. N. & 102.0 ft. W. of approx. SE. cor. sec. 7, T28N, R15W; 1.0 ft. S. of N.R/W fence. OSCC Marker. C/L S. gable on large 2 story house on horizon about 2 mi. in azimuth 157°35'08"; C/L chimney on large 2 story house on horizon about 3.0 mi. in azimuth 198°58'23".

X-1,752,877.26 Y-697,671.35 El. 1544.516 ft.

BM 1938; Woods Co., 0.4 mi. NW. of NE. cor. sec. 18, T28N, R15W; chiseled sq. on SW. wingwall of 30 ft. steel "I" beam bridge. El. 1533.634 ft.

8-H-37 TT 1938; Woods Co., 7.5 mi.N. & 10.8 mi.W. of Alva; 30.0 ft. S. & 951.0 ft.E. of approx. NW. cor. sec. 18, T28N, R15W; 54.0 ft. S. of N.R/W fence; 54.0 ft. due S. of phone pole, leaning badly to E. OSCC Marker. C/L S.gable on large 2 story house on horizon about 2 mi. in azimuth 178° 33'38"; C/L chimney of small 1 story sq. topped house about 3.0 mi. in azimuth 216°32'03".

X-1, 748, 720.58

Y-697, 620.54

El. 1554.276 ft.

BM 1938; Woods Co., 0.25 mi.N. of approx. NW. cor. of sec. 7, T28N, R15W; chiseled sq. on S. end of bottom tread of conc. steps in front of Weber schoolhouse.

El. 1518.415 ft.

BM 1938; Woods Co., 0.25 mi.E. of approx. NW. cor. sec. 12, T28N, R16W; chiseled sq. on W. end of S. headwall of 6 x 2 x 24 ft. conc. culvert.

El. 1541.340 ft.

8-H-38 TT 1938; Woods Co., 8.5 mi.N. & 12.1 mi.W. of Alva; 33.0 ft. S. & 806.0 ft.W. of approx. NE. cor. sec. 11, T28N, R16W; 1.0 ft. N. of S.R/W fence; on S. bank of 4.0 ft. cut; 105.0 ft. S. & 225.0 ft. E. of lone cedar tree. OSCC Marker. C/L chimney on T-shaped rock atop prominent pyramid butte about 0.75 mi. in azimuth 71°28'50"; C/L chimney on Falkner Schoolhouse about 2 mi. in azimuth 91°19'25"; C/L S.gable of large 2 story house on horizon about 1.75 mi. in azimuth 230°46'17".

X-1, 741, 759.87

Y-702, 945.30

El. 1571.681 ft.

BM 1938; Woods Co., 0.25 mi.W. of approx. NE. cor. sec. 11, T28N, R16W; chiseled sq. on W. end of N. headwall of 3 x 24 ft. R.C.P. culvert.

El. 1575.343 ft.

BM 1938; Woods Co., 0.5 mi.W. of approx. NE. cor. sec. 10, T28N, R16W; chiseled sq. on SE. wingwall of 30 x 24 ft. conc. culvert.

El. 1596.936 ft.

8-H-39 TT 1938; Woods Co., 8.5 mi.N. & 14.4 mi.W. of Alva; 89.0 ft. N. & 332.0 ft. E. of approx. S $\frac{1}{4}$ cor. sec. 4, T28N, R16W; on prominent knoll overlooking broad valley to E., 54.0 ft. N. of C/L winding Co. road thru 12.0 ft. cut; 32.0 ft. N. of N. edge of cut; approx. 0.25 mi. E. of Falkner school house. OSCC Marker. C/L chimney on 2 story T-shaped house about 0.75 mi. in azimuth 98°25'44"; C/L chimney on shaped rock atop prominent butte about 0.25 mi. in azimuth 108°56'59"; C/L chimney on Falkner Schoolhouse about 0.25 mi. in azimuth 276°55'14".

X-1, 729, 797.94

Y-703, 172.88

El. 1771.044 ft.

8-H-40 TT 1938; Woods Co., 8.5 mi.N. & 15.0 mi.W. of Alva; 70.0 ft. S. & 200.0 ft. E. of approx. NW. cor. sec. 9, T28N, R16W; 1.0 ft. N. of S.R/W fence; 8.0 ft. S. of series of rural mail boxes; 74.0 ft. S. of 4 x 6 ft. conc. platform of old store bldg. approx. 0.25 mi. W. of Falkner Schoolhouse. OSCC Marker. C/L E.gable of 1 $\frac{1}{2}$ story conc. block house about 0.37 mi. in azimuth 89°09'55"; C/L chimney on Falkner schoolhouse about 0.25 mi. in azimuth 259°27'00"; C/L chimney on T-shaped rock atop prominent pyramid butte about 1.5 mi. in azimuth 280°02'20".

X-1, 726, 958.68

Y-703, 033.13

El. 1825.353 ft.

8-H-41 TT 1938; Woods Co., 8.5 mi.N. & 15.5 mi.W. of Alva; 25.0 ft. S. & 1074.0 ft. E. of approx. N $\frac{1}{4}$ cor. sec. 8, T28N, R16W; 2.0 ft. N. of S.R/W fence line; 1.5 ft. N. of phone pole; 47.0 ft. S. of N.R/W fence; 102.0 ft. N. & 18.0 ft. E. of NW. cor. of conc. block house. OSCC Marker. C/L N.gable of native stone shack about 0.5 mi. in azimuth 36°32'20"; C/L E.gable of hay barn about 0.5 mi. in azimuth 101°38'35"; C/L chimney on large 1 story sq. topped house about 0.5 mi. in azimuth 215°21'10".

X-1, 724, 924.93

Y-703, 123.89

El. 1835.649 ft.

BM 1938; Woods Co., 0.2 mi. E. of approx. NW. cor. sec. 8, T28N, R16W; chiseled sq. on S. conc. headwall of 3 x 20 ft. R.C.P. culvert.

El. 1783.684 ft.

8-H-42 TT 1938; Woods Co., 8.5 mi.N. & 17.2 mi.W. of Alva; 25.0 ft. N. & 1084.0 ft. W. of approx. SE. cor. sec. 1, T28N, R17W; 2.0 ft. N. of N.R/W fence; 316.0 ft. N. of C/L Co. road running NE-SW; approx. 700.0 ft. NW. of old stone 1 room shack. OSCC Marker. C/L chimney on 1 $\frac{1}{2}$ story house on horizon about 1.5 mi. in azimuth 35°03'45"; C/L chimney on 1 $\frac{1}{2}$ story house

about 0.5 mi. in azimuth $116^{\circ}50'30''$.

X-1,715,408.33 Y-703,399.62 El. 1943.916 ft.

8-H-43 TT 1938; Woods Co., 8.0 mi.N. & 17.5 mi.W. of Alva; near N. center NE, SW, sec. 12, T28N, R17W; 1.0 ft. S. of E-W $\frac{1}{4}$ sec. fence on S. slope of knoll in pasture; 260.0 ft. E. of E. post of cattle guard on winding well defined road. OSCC Marker. C/L chimney on $1\frac{1}{2}$ story house on horizon about 0.75 mi. in azimuth $30^{\circ}26'01''$.

X-1,713,029.42 Y-700,750.66 El. 1951.417 ft.

Powers Tri. Sta. (Woods Co., C.I.A. 1934) Approx. 7.5 mi.N. & 1.0 mi.W. of Whitehorse Camp & Garage; 9.5 mi.N. & 7.0 mi.E. of Freedom; in approx. NE $\frac{1}{4}$ sec. 14, T28N, R17W; on land of H.A. Powers; 48.0 ft. S. & 8.0 ft. E. of SE. cor. of 2 story frame house. Mark projects 6" above ground. Reached from Whitehorse Camp & Garage which is 17.0 mi.W. of Alva going W. on US Hwy. #64 for 1.0 mi., turn right & go 7.5 mi.N. to lane on left; go thru gate & go 0.15 mi.W. on to frame house & sta., Station, underground, reference & azimuth marks are bronze tablets set in conc. as described in notes 1b, 7a, 11b, & 11a.

X-1,710,377.09 Y-696,148.13 El. 2021.563 ft.

R.M. #1 is N. of sta., 38.0 ft. N. & 8.0 ft. E. of NE. cor. of frame house; 33.715 m. (110.61 ft.) in azimuth $179^{\circ}44'00''$. El. 2017.124 ft.
R.M. #2 is W. of sta. on E. edge of cultivated field; 48.0 ft. S. of S. edge of house, 23.850 m. (78.25 ft.) in azimuth $83^{\circ}04'23''$. El. 2018.353 ft.
Azimuth mark is 0.55 mi. S. of sta., 20.0 ft. W. of C/L of road & 0.05 mi. N. of driveway leading to 1 story house. To reach from sta. go 0.15 mi. E. to road; turn right & go 0.55 mi. S. to mark on right, in azimuth $344^{\circ}56'53''$.

Reference marks and azimuth marks project 6" above ground.

8-H-44 TT 1938; Alfalfa Co., 5.5 mi.N. & 6.25 mi.W. of Cherokee; 1050.0 ft. S. & 74.0 ft. E. of approx. NW. cor. NE, SE, sec. 10, T27N, R12W; 147.0 ft. S. of cross fence to E. on prominent sand plum covered blow sand knoll; 180.0 ft. NE. of N. gate post in N-S $1/16$ sec. fence. OSCC Marker. C/L chimney on 1 story house about 1 mi. in azimuth $131^{\circ}14'39''$; C/L E. chimney on 2 story T-shaped house about 0.75 mi. in azimuth $177^{\circ}18'16''$; C/L chimney on house about 0.25 mi. in azimuth $303^{\circ}55'04''$.

X-1,861,890.52 Y-667,049.00 El. 1245.110 ft.

8-H-45 TT 1938; Alfalfa Co., 5.0 mi.N. & 6.2 mi.W. of Cherokee; 2.0 ft. S. & 429.0 ft. E. of approx. NW. cor. NE, SE, sec. 15, T27N, R12W; 2.0 ft. S. of E-W fence; 280.0 ft. SW. of large 24" elm tree; 100.0 ft. E. of range of E. side of W. of 2 small shacks. OSCC Marker.

X-1,862,126.39 Y-665,177.35 El. 1226.237 ft.

8-H-46 TT 1938; Alfalfa Co., 4.0 mi.N. & 6.2 mi.W. of Cherokee; 25.0 ft. N. & 1359.0 ft. W. of approx. SE. cor. sec. 15, T27N, R12W; 2.0 ft. N. of N.R/W fence; 2.0 ft. S. & 10.0 ft. W. of OG&E pole # 35-3. OSCC Marker. C/L ventilator on large barn about 0.75 mi. in azimuth $62^{\circ}27'20''$; C/L N. chimney on 1 story T-shaped house about 1.5 mi. in azimuth $105^{\circ}10'17''$; C/L W. peak of roof on 1 story house about 0.37 mi. in azimuth $262^{\circ}12'17''$.

X-1,861,744.14 Y-659,872.07 El. 1231.499 ft.

8-C-24 TT 1934; Junction Station. See Traverse 8-C.

Traverse 9-D; Woodward, Dewey, Custer & Washita Co's.

Woodward Air Port to 13-B-25 TT 1934

North Projection

Woodward Airport; 1937; Woodward Co., 0.5 mi.E. & 0.7 mi.S. of center of Woodward; 3.0 ft. S. & 5.3 ft. E. of S. end of masonry fence along W. boundary of amusement park; 4.4 ft. NE. of NE. post at beacon tower, on line producing N. edge of foundation of beacon tower, in NW. cor. of air port; about 500.0 ft. S. & 50.0 ft. E. of approx. center sec. 31, T23N, R20W; OSCC Marker stamped "Woodward Airport 1937".

El. 1917.548 ft.

USC&GS WB; Woodward Co., At Woodward; in top of E.conc pedestal of steps of Woodward P.O., 2.0 ft.above sidewalk on Main St., 49.0 ft. SE. of S.Public Entrance. El. 1908.169 ft.

For additional elevations in vicinity of Woodward, see USC&GS lines #7, 7-A, 16, & 28, & Traverse 10-C, 10-D, & 10-E.

9-D-1 TT 1934; Woodward Co., In Woodward; on NW curb at intersection of 9th. & Main Sts., in approx. SE cor. sec. 25,T23N,R21W; USC&GS & State Marker.

X-1,591,018.17 Y-525,669.85 El. 1904.191 ft.

9-D-1-A TT 1934; Woodward Co., In Woodward; on SE.curb, 30.5 ft.S. & 21.0 ft.E.of intersection of 9th & Oklahoma Sts., in approx.NW $\frac{1}{2}$ sec. 31,T23N,R20W; 1.0 ft.W.& 2.0 ft.N.of power pole.

X-1,591,055.38 Y-524,742.73

9-D-2 TT 1934; (Reset 1938); Woodward Co., on S.edge of Woodward; 29.0 ft.S.& 32.0 ft.W.of intersection of 9th & Cedar Sts. in State Hwy. yard; near approx. E $\frac{1}{2}$ cor.sec.36,T23N,R21W; 2.5 ft.S.of fence; 49.0 ft. S.& 8.0 ft.W.of fire hydrant. OSCC Marker. C/L Elm Wood Cemetery W.T.in azimuth 65°29'01"; C/L SW.cor.chimney on Magnolia Filling Sta.about 0.08 mi.in azimuth 259°36'11"; C/L SW.cor.grandstand of Woodward Rodeo & Race track in azimuth 278°35'01".

X-1,590,963.12 Y-522,073.38 El. 1940.236 ft.

9-D-3 TT 1934; Woodward Co., 1.0 mi.S.of Woodward; 26.0 ft.S. & 784.0 ft.E.of approx.NW.cor.sec.6,T22N,R20W; 69.5 ft.W.of C/L US.Hwy.# 270; 10.5 ft.E.of W.R/W fence; 13.0 ft.E.of phone pole in line of phone line. USC&GS & State Marker. C/L N.gable on 2 story house of W.C. O'Dell about 0.5 mi.in azimuth 23°09'22"; C/L S.gable on large 2 story stucco house about 0.75 mi.in azimuth 140°23'27"; C/L SW.cor.Woodward Grandstand in azimuth 229°14'52".

X-1,592,097.21 Y-519,415.19 El. 1944.233 ft.

BM; Woodward Co., 0.3 mi.NW.of intersection of US.Hwy.#270 & N-S sec.line between sec's. 31 & 32,T23N,R20W; "X" chiseled on SE.wingwall of triple 10 x 5 x 40 ft.conc.culvert under US.Hwy.#270.

El. 1934.747 ft.

9-D-4 TT 1934; Woodward Co., 2.0 mi.S.& 1.0 mi.E.of Woodward; 960.0 ft.E.& 737.0 ft.S.of approx.NW.cor.sec.8,T22N,R20W; on W.side of OK.Hwy. #34. USC&GS & State Marker. C/L Woodward W.T.in azimuth 144°52'43"; C/L SW.cor.grandstand of Woodward amusement park in azimuth 160°19'08"; C/L Woodward storage tank & W.T.in azimuth 179°23'03"; C/L W.gable on school house about 1 mi.in azimuth 210°42'33".

X-1,597,371.75 Y-513,649.68 El. 2001.880 ft.

9-D-5 TT 1934; Woodward Co., 3.0 mi.S.& 2.0 mi.E.of Woodward; 732.0 ft.N.& 750.0 ft.W.of approx.SE.cor.of sec.8,T22N,R20W; 2.0 ft.W.of W.R/W fence on US.Hwy.#270; 10.0 ft.NE.of E.end of large sign board. USC&GS & State Marker. C/L SW.cor.grandstand of Woodward Amusement park in azimuth 151°37'11"; C/L Woodward storage tank in azimuth 173°22'02"; C/L SW.cor.chimney on brown-stone house about 0.5 mi.in azimuth 288°50'51".

X-1,600,888.34 Y-509,804.36 El. 2042.794 ft.

BM; Woodward Co., Approx. 400.0 ft.NE.of intersection of US.Hwy.# 270 with sec.line between sec's. 8 & 9,T22N,R20W; "X" chiseled on NW.wingwall of 5 x 8 x 40 ft.conc.culvert.

El. 2020.539 ft.

9-D-5-A TT 1934; (Reset 1938) Woodward Co., 3.3 mi.S.& 2.5 mi.E.of Woodward; near approx.SE.cor.NE.NW.sec.16,T22N,R20W; 0.55 mi.SE.of jct. OK.Hwy.#34 & US.Hwy.#270; 52.0 ft.S.of C/L US.Hwy.#270; on bank of 10.0 ft.cut; 2.0 ft.S.of S.R/W fence. OSCC Marker. C/L belfry on Prairie View schoolhouse about 1.75 mi.in azimuth 58°57'56"; C/L Woodward W.T.in azimuth 139°51'36"; C/L Woodward storage tank in azimuth 169°34'48".

X-1,603,453.84 Y-507,920.57 El. 2092.904 ft.

9-D-6 TT 1934; Woodward Co., 4.0 mi.S.& 2.0 mi.E.of Woodward; 56.0 ft.N.& 46.0 ft.W.of approx.SE.cor.sec.17,T22N,R20W. USC&GS & State Marker. C/L S.chimney on house about 1 mi.in azimuth 123°59'58"; C/L S.gable on

farmhouse about 0.25 mi. in azimuth $185^{\circ}28'18''$; C/L N.gable on 2 story house about 2 mi. in azimuth $352^{\circ}13'20''$.

X-1, 601, 521.40 Y-503, 910.58 El. 2060.477 ft.
 BM; Woodward Co., 0.2 mi. S. of approx. NE. cor. sec. 29, T22N, R20W; "X" chiseled in SW. wingwall of 125.0 ft. steel-conc. bridge over Indian Creek.
 El. 1979.402 ft.

9-D-7 TT 1934; Woodward Co., 5.0 mi. S. & 2.0 mi. E. of Woodward; 122.0 ft. S. & 47.0 ft. W. of approx. NE. cor. sec. 29, T22N, R20W; USC&GS & State Marker.

X-1, 601, 449.46 Y-498, 434.05 El. 1983.363 ft.

9-D-8 TT 1934; Woodward Co., 6.25 mi. S. & 2.0 mi. E. of Woodward; 1327.0 ft. S. & 30.0 ft. W. of approx. NE. cor. sec. 32, T22N, R20W; 215.0 ft. W. of C/L OK. Hwy. #34; 2.0 ft. E. of W.R/W fence of Tp. road; 1.5 ft. S. of cross fence to W. USC&GS & State Marker. C/L belfry on Prairie View schoolhouse about 3 mi. in azimuth $156^{\circ}15'42''$; C/L S.gable on house about 0.75 mi. in azimuth $231^{\circ}13'27''$.

X-1, 601, 368.80 Y-492, 017.93 El. 2061.482 ft.

9-D-8-A TT 1934; (Reset 1938); Woodward Co., 6.5 mi. S. & 2.25 mi. E. of Woodward; near approx. NE. cor. SW $\frac{1}{4}$ sec. 33, T22N, R20W; 48.0 ft. W. of C/L OK. Hwy. #34; 2.5 ft. E. of W.R/W fence; on bank of 10.0 ft. cut. OSCC Marker. C/L E.gable on barn about 0.25 mi. in azimuth $33^{\circ}28'21''$; C/L belfry on Prairie View schoolhouse about 3.5 mi. in azimuth $153^{\circ}17'49''$; C/L N. end comb of barn about 1 mi. in azimuth $280^{\circ}05'59''$.

X-1, 603, 387.44 Y-489, 458.28 El. 2096.636 ft.

9-D-9 TT 1934; (Reset 1938) Woodward Co., 7.9 mi. S. & 3.0 mi. E. of Woodward; 567.0 ft. N. & 223.0 ft. W. of approx. SE. cor. sec. 4, T21N, R20W; 173.0 ft. W. of W.R/W fence on OK. Hwy. #34 in pasture at top of E-W sage brush covered ridge. OSCC Marker. C/L chimney on 2 story house about 0.75 mi. in azimuth $19^{\circ}28'17''$; C/L chimney on stone house about 5.5 mi. in azimuth $173^{\circ}30'17''$; C/L S.gable on barn about 1 mi. in azimuth $237^{\circ}38'37''$.

X-1, 606, 345.69 Y-483, 578.08 El. 2119.623 ft.

9-D-10 TT 1934; (Reset 1938); Woodward Co., 9.3 mi. S. & 3.0 mi. E. of Woodward; 1382.0 ft. S. & 50.0 ft. E. of approx. NW. cor. sec. 15, T21N, R20W; 2.0 ft. W. of E.R/W fence on OK. Hwy. #34. OSCC Marker. C/L E.gable on house about 0.25 mi. in azimuth $69^{\circ}09'02''$; C/L S.gable on house about 0.5 mi. in azimuth $202^{\circ}39'12''$; C/L N.gable on house about 1 mi. in azimuth $353^{\circ}44'12''$.

X-1, 606, 511.59 Y-476, 254.62 El. 2184.670 ft.

9-D-11 TT 1934; Woodward Co., 10.0 mi. S. & 3.0 mi. E. of Woodward; 188.0 ft. S. & 18.0 ft. E. of approx. NW. cor. sec. 22, T21N, R20W; in S. end of E. headwall of conc. culvert under OK. Hwy. #34. USC&GS & State Marker. C/L NE. cor. grain elevator in Sharon about 0.5 mi. in azimuth $18^{\circ}03'45''$; C/L W. gable on barn about 0.25 mi. in azimuth $278^{\circ}24'25''$.

X-1, 606, 441.47 Y-472, 226.62 El. 2107.169 ft.

9-D-11-A TT 1934; (Reset 1938) Woodward Co., 10.5 mi. S. & 3.0 mi. E. of Woodward; 262.0 ft. S. & 53.5 ft. W. of approx. E $\frac{1}{4}$ cor. sec. 21, T21N, R20W; 2.5 ft. W. of W.R/W fence on OK. Hwy. #34; 27.5 ft. N. & 3.0 ft. W. of OG&E pole #19-10. OSCC Marker. C/L N.gable belfry on Sharon Church in azimuth $24^{\circ}58'59''$; C/L Vici W.T. in azimuth $347^{\circ}44'21''$; C/L W.gable on barn about 0.5 mi. in azimuth $202^{\circ}14'14''$; C/L NW. cor. Mill in Vici in azimuth $347^{\circ}12'34''$.

X-1, 606, 343.33 Y-469, 526.74 El. 2089.828 ft.

9-D-12 TT 1934; Woodward Co., 11.0 mi. S. & 3.0 mi. E. of Woodward; 24.5 ft. S. & 20.0 ft. E. of approx. NW. cor. sec. 27, T21N, R20W; on N. end of E. headwall of conc. culvert under OK. Hwy. #34. USC&GS & State Marker. C/L E. main gable on Sharon Church in azimuth $118^{\circ}06'28''$; C/L N.gable on farm house about 0.75 mi. in azimuth $342^{\circ}17'08''$.

X-1, 606, 392.56 Y-467, 123.79 El. 2043.291 ft.

BM Woodward Co., 0.5 mi. N. of approx. SE. cor. sec. 28, T21N, R20W; "X" chiseled on NE. wingwall of 220.0 ft. conc. bridge over dry creek.
 El. 2023.787 ft.

BM; Woodward Co., "X" chiseled on NE. cor. of S. headwall of 7 x 3 x 30

- ft.conc.culvert in W.road ditch; near approx.NE.cor.sec.33,T21N,R20W;
El. 2041.323 ft.
- 9-D-13 TT 1934; Woodward Co., 12.5 mi.S.& 3.0 mi.E.of Woodward;
32.0 ft.S.of approx.NW.cor.sec.34,T21N,R20W; 43.0 ft.E.of Near rail of
MK&T RR; 30.0 ft.E.& 10.5 ft.S.of Western Union pole; 59.0 ft.W.of C/L
OK.Hwy.#34. USC&GS & State Marker. C/L S.gable belfry on Sharon Church
in azimuth 173°34'42"; C/L S.gable on 1 story house about 2 mi.in azimuth
242°14'52".
- X-1,606,317.30 Y-459,829.55 El. 2063.897 ft.
- 9-D-14 TT 1934; Woodward Co., 2.0 mi.S.& 0.4 mi.E.of Sharon; 29.0
ft.N.& 0.3 mi.E.of approx.SW.cor.sec.34,T21N,R20W; 734.0 ft.E.of MK&T
RR; 380.0 ft.E.of E.R/W fence on OK.Hwy.#34; 3.0 ft.S.of N.R/W fence;
USC&GS & State Marker. C/L N.gable on house about 0.75 mi.in azimuth 59°
09'01"; C/L S.gable belfry on Sharon Church in azimuth 167°36'06"; C/L
W.gable on farmhouse about 1.5 mi.in azimuth 328°18'46".
- X-1,607,846.91 Y-456,652.39 El. 2111.798 ft.
- BM; Woodward Co., 0.15 mi.S.of approx.NE.cor.sec.9,T20N,R20W; "X"
chiseled on NW.wingwall of 150.0 ft.conc.steel bridge over S. Persimmon
Creek under OK.Hwy.#34. El. 2038.714 ft.
- BM; Woodward Co., 0.3 mi.N.of approx.SE.cor.sec.9,T20N,R20W; "X"
chiseled on W.headwall of 4 x 3 x 40 ft.conc.culvert under OK.Hwy.#34.
El. 2092.218 ft.
- 9-D-15 TT 1934; (Reset 1938); Woodward Co., 15.3 mi.S.& 3.5 mi.E.of
Woodward; 704.0 ft.N.& 386.0 ft.E.of approx.W $\frac{1}{2}$ cor.sec.15,T20N,R20W;
408.0 ft.E.of power pole #24-7; 562.0 ft.E.of C/L OK.Hwy.#34; 308.0 ft.
E.of E.R/W fence on minor sage brush covered knoll; 4.0 ft.W.of witness
post. OSCC Marker. C/L E.gable tin roof barn about 0.5 mi.in azimuth 17°
44'26"; C/L S.gable belfry on Sharon Church in azimuth 172°39'31"; C/L
S.gable on barn about 3 mi.in azimuth 223°44'36".
- X-1,608,500.51 Y-443,888.08 El. 2164.164 ft.
- 9-D-16 TT 1934; Woodward Co., 15.7 mi.S.& 3.5 mi.E.of Woodward;
32.0 ft.W.& 1242.0 ft.N.of approx.SE.cor.sec.16,T20N,R20W; 24.5 ft.S. &
1.0 ft.E.of power pole #24-14; 177.0 ft.N.& 1.0 ft.E.of power pole #24-
15; 95.0 ft.W.of C/L OK.Hwy.#34. USC&GS & State Marker. C/L N.gable on
house about 0.25 mi.in azimuth 30°12'17"; C/L NW.cor.Vici Mill in azi-
muth 335°36'17".
- X-1,608,057.57 Y-441,785.21 El. 2148.129 ft.
- 9-D-16-A TT 1934 (Reset 1938); Woodward Co., 16.5 mi.S.& 3.7 mi.E.
of Woodward; near center approx.S $\frac{3}{4}$ NW $\frac{1}{4}$ sec.22,T20N,R20W; 870.0 ft.N. of
E-W $\frac{1}{2}$ sec.fence; 3.0 ft.N.& 41.0 ft.E.of 1st post S.of MP.#200 of MK&T
RR; 75.0 ft.E.of near rail; 64.0 ft.W.of C/L OK.Hwy.#34. OSCC Marker. C/L
S.gable 2 story house about 5 mi.in azimuth 184°39'23"; C/L SW.cor. Vici
Mill in azimuth 335°21'28"; C/L Vici W.T.in azimuth 337°06'34".
- X-1,609,350.32 Y-438,758.74 El. 2178.840 ft.
- 9-D-17 TT 1934; Woodward Co., 17.0 mi.S.& 4.0 mi.E.of Woodward;
near approx.S $\frac{1}{4}$ cor.sec.22,T20N,R20W; 19.5 ft.W.of C/L OK.Hwy.#34; in S.
end of W.headwall of 2.5 x 2.5 ft.conc.culvert. USC&GS & State Marker.
- X-1,610,746.38 Y-435,852.15 El. 2157.467 ft.
- BM; Woodward Co., on intersection of OK.Hwy.#34 with E-W sec.line
between sec.'s. 35 & 26,T20N,R20W; "X" chiseled on S.headwall of 2 x 30
ft.R.C.pipe culvert in W.road ditch on OK.Hwy.#34. El. 2161.097 ft.
- 9-D-18 TT 1934; Woodward Co., 18.5 mi.S.& 5.0 mi.E.of Woodward; near
approx.NE.cor.SW $\frac{1}{4}$ sec.35,T20N,R20W; 238.0 ft.S.of intersection of OK.Hwy.
#34 & N-S $\frac{1}{2}$ sec.fence; 2.0 ft.E.of W.R/W fence; 51.0 ft.W.of C/L OK.Hwy.
#34. USC&GS & State Marker. C/L W.gable on farmhouse about 0.75 mi.in
azimuth 258°08'27"; C/L SE.cor.Vici Mill in azimuth 339°41'37"; C/L Vici
W.T.in azimuth 343°27'19"; C/L chimney on farmhouse about 2 mi.in azimuth
79°39'07".
- X-1,614,537.92 Y-428,877.15 El. 2192.380 ft.
- BM; Woodward Co., in approx.SE $\frac{1}{4}$ sec.35,T20N,R20W; about 50.0 ft.N.of
Woodward-Dewey Co.line; "X" chiseled in W.headwall of 18" x 40 ft.R.C.
pipe culvert under OK.Hwy.#34. El. 2208.671 ft.

9-D-19 TT 1934; Dewey Co., 0.75 mi.NW.of Vici; 885.0 ft.S. of intersection of Woodward-Dewey Co.line & OK.Hwy.#34; in approx.SW $\frac{1}{2}$ sec.35, T20N,R20W; on crown of hill about 1.0 ft.E.of W.R/W fence; 51.0 ft.W.of C/L OK.Hwy.#34. USC&GS & State Marker. C/L S.gable on house about 4 mi. in azimuth 155°18'39"; C/L NW.cor.Vici Mill in azimuth 348°04'39"; C/L Vici W.T.in azimuth 353°35'43".

X-1,616,421.69 Y-425,443.45

9-D-19-A TT 1934; (Reset 1938); Dewey Co., in N.edge of Vici; 800.0 ft.E.& 242.0 ft.S.of approx.NW.cor.sec.2,T19N,R20W; 28.0 ft.W.of C/L of meandering Co.road; 1.0 ft.W.of W.R/W fence; 9.0 ft.S.of phone pole. OSCC Marker. C/L Vici W.T.in azimuth 09°41'54"; C/L N.gable on 2 story house about 0.5 mi.in azimuth 51°09'21"; C/L W.gable on farmhouse about 2.0 mi.in azimuth 216°29'56".

X-1,617,540.92 Y-424,250.10 El. 2259.782 ft.

USC&GS N-33; Dewey Co., At Vici; 450.0 ft.W.of MK&T RR depot; 385.0 ft.NW.of Long Bell Lumber Co., 280.0 ft.NW.of MK&T sec.house; 30.0 ft.N.of C/L RR. Std.disk set in conc.post stamped N-33 1934.

X-1,616,695.53 Y-421,849.53 El. 2265.110 ft.

9-D-20 TT 1934; Dewey Co., At E.City limits of Vici; in approx.SW $\frac{1}{2}$ sec.1,T19N,R20W; on E.side of N-S sec.line road at $\frac{1}{2}$ sec.line. USC&GS & State Marker. C/L small knob on top Vici W.T.in azimuth 53°54'36"; C/L chimney on Roy Morefore house about 0.25 mi.in azimuth 144°46'46"; C/L chimney on D.D.McCleery house about 1 mi.in azimuth 262°55'41".

X-1,618,392.28 Y-421,824.50 El. 2259.623 ft.

9-D-21 TT 1934; Dewey Co., 1.0 mi.E.of Vici; 336.0 ft.E.& 35.0 ft. N.of approx.SW.cor.sec.6,T19N,R19W; 35.0 ft.N.of C/L US.Hwy.#60. USC&GS & State Marker. C/L Vici W.T.about 1 mi.in azimuth 102°57'41"; C/L chimney on house of D.D.McCleery in azimuth 187°58'51"; C/L chimney on Diller schoolhouse about 1.25 mi.in azimuth 270°39'41".

X-1,623,934.59 Y-419,161.90 El. 2251.589 ft.

9-D-22 TT 1934; Dewey Co., Approx. 3.0 mi.E.of Vici; 434.0 ft.W. & 26.0 ft.N.of approx.SE.cor.sec.5,T19N,R19W; 26.0 ft.N.of C/L US.Hwy.#60. USC&GS & State Marker. C/L chimney on J.Virgil house about 0.5 mi. in azimuth 83°43'29"; C/L Vici W.T.about 3 mi.in azimuth 96°04'24"; C/L chimney on O.McDaniel house about 1 mi.in azimuth 226°13'34".

X-1,633,695.70 Y-418,989.47 El. 2160.775 ft.

9-D-23 TT 1934; Dewey Co., 4.0 mi.E.of Vici; 809.0 ft.W.& 38.0 ft. N.of approx.SE.cor.sec.4,T19N,R19W; 38.0 ft.N.of C/L US.Hwy.#60. USC&GS & State Marker. C/L chimney on A.McDaniel house about 1 mi.in azimuth 187°01'46"; C/L chimney on O.P.Dryden house about 2 mi.in azimuth 263°51'31".

X-1,638,561.80 Y-418,917.33 El. 2107.115 ft.

9-D-24 TT 1934; Dewey Co., Approx. 5.0 mi.E.of Vici; 1784.0 ft.W.& 37.0 ft.N.of approx.SE.cor.sec.3,T19N,R19W; 37.0 ft.N.of C/L US.Hwy.#60; 2.0 ft.S.of SW.cor.of Sunny Side Cemetery. USC&GS & State Marker. C/L chimney on O.P.Fisher house about 0.25 mi.in azimuth 32°40'20"; C/L belfry on Sunny Side schoolhouse about 0.37 mi.in azimuth 274°26'35"; C/L chimney on Chet Grover house in azimuth 349°03'10".

X-1,642,848.86 Y-418,841.01 El. 2007.003 ft.

9-D-25 TT 1934; Dewey Co., Approx. 6.5 mi.E.of Vici; 554.0 ft.E.& 29.0 ft.N.of approx.SW.cor.sec.1,T19N,R19W; 29.0 ft.N.of C/L US.Hwy.#60; USC&GS & State Marker. C/L chimney on McDaniel house about 2 mi. in azimuth 116°09'31"; C/L chimney on Willis Esby house about 1 mi.in azimuth 273°08'01".

X-1,650,469.97 Y-418,763.11 El. 1974.645 ft.

9-D-26 TT 1934; Dewey Co., 3.5 mi.W.of Cestos; 1957.0 ft.E.& 29.0 ft.N.of approx.SW.cor.sec.6,T19N,R18W; 29.0 ft.N.of C/L US.Hwy.#60. USC &GS & State Marker. C/L chimney on C.C.Poulson house about 1.25 mi. in azimuth 33°55'26"; C/L Vici W.T.about 7.5 mi.in azimuth 92°57'56"; C/L chimney on Virgil Baker house about 1 mi.in azimuth 212°29'58".

X-1,657,110.56 Y-418,682.85 El. 1942.501 ft.

Traverse in Northwestern Oklahoma

- 9-D-27 TT 1934; Dewey Co., 1.5 mi.W.of Cestos at crown of hill on N.side US.Hwy.#60; 30.0 ft.N.& 201.0 ft.E.of intersection of $\frac{1}{2}$ sec.line with C/L of hwy; in approx. $SE\frac{1}{4}$ sec.4,T19N,R18W. USC&GS & State Marker. C/L Vici W.T.about 6 mi.in azimuth $92^{\circ}30'25''$; C/L chimney on Virgil Baker house about 2 mi.in azimuth $123^{\circ}07'55''$; C/L chimney on J.E. Blumer house about 2 mi.in azimuth $271^{\circ}05'55''$.
X-1,668,372.67 Y-418,525.25 El. 1893.284 ft.
- 9-D-28 TT 1934; Dewey Co., Due N.of Cestos; 841.0 ft.E.& 33.0 ft. N.of approx.SW.cor.sec.2,T19N,R18W; 33.0 ft.N.of C/L US.Hwy.#60. USC&GS & State Marker. C/L Vici W.T.about 11 mi.in azimuth $92^{\circ}13'58''$; C/L chimney on Jess Ladd house about 0.75 mi.in azimuth $212^{\circ}27'38''$; C/L chimney on J.E.Blumer house about 1 mi.in azimuth $271^{\circ}51'08''$.
X-1,676,868.83 Y-418,423.70 El. 1888.701 ft.
- 9-D-29 TT 1934; Dewey Co., Approx. 0.9 mi.E.of Cestos on property of J.E.Blumer; 274.0 ft.E.& 39.0 ft.S.of approx.NW.cor.sec.12,T19N,R18W; USC&GS & State Marker. C/L chimney on A.Filo house about 1 mi.in azimuth $84^{\circ}52'58''$; C/L chimney on T.Hussey house about 1 mi.in azimuth $239^{\circ}13'38''$.
X-1,681,544.90 Y-418,317.94 El. 1869.579 ft.
- 9-D-30 TT 1934; Dewey Co., 0.25 mi.E.of Cestos on property of A. Bevins, on crown of high hill; 581.0 ft.W.& 35.0 ft.S.of $\frac{1}{4}$ cor.N.line sec.7,T19N,R17W. USC&GS & State Marker. C/L chimney on J.E.Blumer house about 1.5 mi.in azimuth $90^{\circ}41'06''$; C/L chimney on T.Hussey house about 1.25 mi.in azimuth $144^{\circ}45'59''$; C/L chimney on G.Still house about 0.75 mi.in azimuth $272^{\circ}57'02''$.
X-1,688,575.52 Y-418,190.84 El. 1872.614 ft.
- 9-D-31 TT 1934; Dewey Co., On crest of high hill; 34.0 ft.S.of C/L US.Hwy.#60; on property of Mr.Wilmouth at a point 34.0 ft.S.& 1805.0 ft. W.of approx.NE.cor.sec.8,T19N,R17W; USC&GS & State Marker. C/L chimney on G.Stills house about 0.25 mi.in azimuth $86^{\circ}07'10''$; C/L E.chimney on T.Hussey house about 1.25 mi.in azimuth $157^{\circ}47'05''$; C/L chimney of Paul Young house about 1 mi.in azimuth $275^{\circ}23'15''$.
X-1,695,214.13 Y-418,091.78 El. 1891.696 ft.
- 9-D-32 TT 1934; Dewey Co., 5.0 mi.W.of Seiling; 33.0 ft.S.& 1403.0 ft.W.of approx.NE.cor.sec.9,T19N,R17W; 33.0 ft.S.of C/L US.Hwy.#60. USC &GS & State Marker. C/L vent on Ray Hay barn about 0.37 mi.in azimuth $99^{\circ}17'43''$; C/L S.chimney on W.Reekie house about 1 mi.in azimuth $268^{\circ}53'53''$; C/L belfry on Deep Creek schoolhouse in azimuth $331^{\circ}18'13''$.
X-1,700,827.25 Y-418,012.86 El. 1842.182 ft.
- 9-D-33 TT 1934; Dewey Co., 3.5 mi.W.of Seiling; 1244.0 ft.W.& 41.0 ft.S.of approx.NE.cor.sec.11,T19N,R17W; 41.0 ft.S.of C/L US.Hwy.#60. USC &GS & State Marker. C/L belfry on Deep Creek schoolhouse about 1.25 mi.in azimuth $67^{\circ}33'09''$; C/L chimney on C.W.Loyd house about 0.62 mi.in azimuth $209^{\circ}51'59''$; C/L chimney on Clay Saunders house about 1 mi.in azimuth $269^{\circ}04'29''$.
X-1,708,638.65 Y-417,984.60 El. 1824.186 ft.
- 9-D-34 TT 1934; Dewey Co., 2.25 mi.W.of E.limits of Seiling on the crown of high hill; 34.0 ft.S.& 1439.0 ft.W.of approx.NE.cor.sec.12, T19N,R17W; 34.0 ft.S.of C/L US.Hwy.#60. USC&GS & State Marker. C/L chimney on Mrs. Church's house about 1.25 mi.in azimuth $22^{\circ}39'00''$; C/L chimney on L.G.Nottingham house about 1 mi.in azimuth $167^{\circ}07'20''$; C/L chimney on T.Adair house about 1 mi.in azimuth $296^{\circ}12'55''$.
X-1,716,442.96 Y-417,884.62 El. 1860.641 ft.
- 9-D-35 TT 1934; Dewey Co., 1.5 mi.W.& 1.0 mi.S.of Seiling; 40.0 ft. E.& 35.0 ft.S.of approx.NW.cor.sec.18,T19N,R16W; 40.0 ft.E.of C/L OK. Hwy.#14. USC&GS & State Marker. C/L chimney on 2 story house about 0.5 mi.in azimuth $266^{\circ}37'36''$; C/L ventilator on Joe Lee large barn about 1 mi.in azimuth $350^{\circ}58'53''$.
X-1,717,866.04 Y-412,602.19 El. 1816.355 ft.
- 9-D-36 TT 1934; Dewey Co., 1.5 mi.W.& 3.1 mi.S.of Seiling; 613.0 ft.S.& 47.0 ft.E.of approx.NW.cor.sec.30,T19N,R16W; on W.side of OK.Hwy.

#14 at crest of hill where road makes first curve SE., 1.5 ft. E. of W. R/W fence. USC&GS & State Marker. C/L ventilator on J. Lee barn about 0.5 mi. in azimuth 203°38'29"; C/L W.T. in azimuth 100°50'24".

X-1,717,725.59 Y-401,491.37 El. 1942.289 ft.

9-D-37 TT 1934; Dewey Co., 2.75 mi. due N. of Taloga; in approx. NE $\frac{1}{4}$ sec. 1, T18N, R17W; on high hill that overlooks river & town; 27.0 ft. N. of intersection of E-W sec. line & N-S $\frac{1}{2}$ sec. line; 51.0 ft. W. of C/L of road S. of Taloga produced. USC&GS & State Marker. C/L E. chimney on T-shaped house about 1 mi. in azimuth 160°34'24"; C/L 2 story house about 1 mi. in azimuth 234°56'15".

X-1,715,041.17 Y-391,743.10 El. 1883.183 ft.

9-D-37-E TT 1934; Dewey Co., chisel mark on W. edge of N. pier of bridge over South Canadian River. El. 1668.253 ft.

9-D-37-F TT 1934; Dewey Co., chisel mark in W. edge of S. abutment of bridge over South Canadian River. El. 1668.631 ft.

Marion Tri. Sta., (Dewey Co., C.I.A. 1934) - 3.5 mi. N. of Lenora; On highest ground for miles around; 75.0 yds. W. & 75.0 yds. S. of approx. NE cor. sec. 30, T19N, R17W; Mark is set at highest point of cultivated field about 14" below surface of ground. Reached from Taloga C.H. by going N. 1.3 mi. on OK. Hwy. #14 to N. end of bridge, turn left (W) on dirt road & go 2.2 mi. to T-jct., turn N. & follow main road 4.15 mi. to crossroads, thence W. 1.0 mi. to crossroad, turn N. & go 0.15 mi., go E. thru gate in fence & proceed along fence 0.25 mi. to N-S fence, turn N. & follow fence 0.25 mi., Sta. is 75.0 yds. W. of this point. Surface, underground, reference, & azimuth marks are bronze tablets set in conc. & described according to notes 1b, 7a, 11b & 11a.

X-1,687,401.69 Y-399,430.89

R.M. #1 is (287.28 ft.) set in N-S fence NE. of sta. in azimuth 238°19'01".

R.M. #2 is (338.41 ft.) set in N-S fence SE. of sta. in azimuth 314°49'18".

Azimuth mark is 1.4 mi. E. SE. of sta. in azimuth 291°13'55"; reached from sta. by going S. & W. for 0.5 mi. to main road, thence S. 0.15 mi. to cross roads, thence E. 1.0 mi. to crossroads. Continue E. 0.3 mi. to mark on S. side of road, in E-W fence line, 20.0 ft. S. of C/L of road. Approx. 40.0 yds. W. of house.

Taloga Magnetic Sta., Dewey Co., 0.7 mi. S. of Taloga; in approx. NW $\frac{1}{4}$ sec. 24, T18N, R17W; on E. side of OK. Hwy. #14; on property of Wave Allen; Mark is a limestone post with bronze disk set 1107.0 ft. S. & 438.1 ft. E. of $\frac{1}{2}$ cor. common to sec. 24 & 25.

X-1,715,399.29 Y-375,011.77 El. 1729.522 ft.

Allen Tri. Sta. (USGS) Dewey Co., located in approx. NE $\frac{1}{4}$ sec. 24, T18N, R17W; on property of Wave Allen. Mark is a precast conc. post with rivet set 3.0 ft. W. of fence line that bounds E. side of wheat field & W. side of feed lot; 33.0 ft. SW. from sq. top iron pin at S. end of hedge 10" below top soil.

X-1,717,310.64 Y-374,904.95

9-D-38 TT 1934; Dewey Co., In Taloga; in Courtyard of Dewey Co. C.H. on S. side of E-W walk, at E. walk entrance of courtyard; 90.0 ft. E. of lower step of C.H., 55.0 ft. W. of C/L OK. Hwy. #14. USC&GS & State Marker.

El. 1709.147 ft.

9-D-39 TT 1934; Dewey Co., 2.0 mi. S. of S. boundary St. of Taloga; in approx. SW. NW. sec. 25, T18N, R17W; on E. side of OK. Hwy. #14; approx. 3.0 ft. W. of R/W fence & about 11.0 ft. N. of $\frac{1}{2}$ line. USC&GS & State Marker. C/L chimney on house in azimuth 38°19'00"; C/L chimney on house about 3 mi. in azimuth 193°28'10"; C/L W. chimney on L-shaped house in azimuth 269°23'59".

X-1,714,914.03 Y-368,158.64 El. 1858.984 ft.

9-D-40 TT 1934; Dewey Co., 3.15 mi. S. of S. boundary St. of Taloga; 2006.0 ft. N. & 100.0 ft. W. of approx. S $\frac{1}{2}$ cor. sec. 36, T18N, R17W; 2.0 ft. E. of N-S fence line on W. side OK. Hwy. #14. USC&GS & State Marker. C/L chimney on house about 0.5 mi. in azimuth 100°35'05"; C/L chimney on house about 4 mi. in azimuth 191°29'55"; C/L chimney on L-shaped house in azimuth 206°

19'20".

X-1,714,677.63 Y-361,988.57 El. 1916.778 ft.

9-D-40-A TT 1934; Dewey Co., 4.15 mi.S.of Taloga; on W.side of OK. Hwy.#14 at or about P.T.of curve., consists of a 5 gallon ice cream can filled with conc.with a monel rivet set upside down in conc. Punch mark in center of rivet. C/L chimney on house near tin roof barn in azimuth $175^{\circ}35'40''$; C/L chimney on house about 5 mi.in azimuth $193^{\circ}11'19''$; C/L chimney on house in azimuth $358^{\circ}17'40''$.

X-1,712,333.17 Y-357,545.20

9-D-41 TT 1934; Dewey Co., approx. 4.55 mi.S.of Taloga; 550.0 ft.N. & 47.0 ft.E.of approx.SW.cor.sec.1,T17N,R17W; 3.0 ft.W.of N-S fence line. USC&GS & State Marker. C/L chimney on Mr. Davidson conc.block house in azimuth $178^{\circ}25'15''$; C/L chimney on house on hill about 6 mi.in azimuth $193^{\circ}08'07''$; C/L chimney on Mr. Clark's house in azimuth $355^{\circ}11'12''$.

X-1,712,143.32 Y-355,536.93 El. 1988.165 ft.

Dawson Tri.Sta.(Dewey Co., C.I.A. 1934) 100.0 yds.W.of center of E. side sec.14,T17N,R17W; 6.5 mi.S.of Taloga; mark is set 12.0 ft.W.of edge of deep cut on a high bank between old & new road. To reach sta.from Taloga C.H. go S.on OK.Hwy.#14 for 6.2 mi.to high bank & sta.on right side of road. Surface, underground, reference, & azimuth marks are bronze tablets set in conc.& described according to notes 1a, 7a, & 11a.

X-1,711,815.84 Y-347,191.76 El. 2033.018 ft.

R.M.#1 is 14.597 m. (47.91 ft.) in azimuth $55^{\circ}36'35''$. El. 2030.459 ft.
R.M.#2 is 15.487 m. (50.82 ft.) in azimuth $144^{\circ}06'54''$. El. 2030.242 ft.
Azimuth mark is 0.8 mi.in azimuth $359^{\circ}21'28''$; To reach from sta.go 0.8 mi.S.on OK.Hwy.#14 to high bank & mark is on right.

9-D-42 TT 1934; Dewey Co., 5.75 mi.S.of Taloga; 6.75 mi.N.of Putnam. 1326.0 ft.S.& 82.0 ft.E.of approx.NW.cor.sec.13,T17N,R17W; 10.0 ft.E.of N-S fence. USC&GS & State Marker. C/L chimney on Mr. Clark's house in azimuth $189^{\circ}30'40''$; C/L chimney on schoolhouse in azimuth $337^{\circ}36'20''$; C/L spire on Putnam Church in azimuth $358^{\circ}29'16''$.

X-1,712,092.57 Y-348,348.42 El. 2019.761 ft.

9-D-43 TT 1934; Dewey Co., 6.75 mi.S.of Taloga; 5.75 mi.N.of Putnam. 1175.0 ft.S.& 61.0 ft.E.of approx.NW.cor.sec.24,T17N,R17W; on E.side OK. Hwy.#14. USC&GS & State Marker. C/L E.chimney on L-shaped house in azimuth $10^{\circ}17'47''$; C/L chimney on schoolhouse in azimuth $332^{\circ}59'08''$; C/L spire on Putnam church in azimuth $358^{\circ}03'02''$.

X-1,711,998.61 Y-343,219.79 El. 2008.671 ft.

9-D-44 TT 1934; Dewey Co., 5.0 mi.N.of Putnam; 150.0 ft.S.& 68.0 ft.W.of approx.NE.cor.sec.26,T17N,R17W; on W.side OK.Hwy.#14. USC&GS & State Marker. C/L E.chimney on L-shaped house in azimuth $11^{\circ}43'32''$. C/L chimney on schoolhouse in azimuth $327^{\circ}35'20''$; C/L spire on Putnam church in azimuth $357^{\circ}20'09''$.

X-1,711,817.23 Y-339,060.23 El. 1967.711 ft.

9-D-45 TT 1934; Dewey Co., 3.5 mi.N.of Putnam; 2372.8 ft.N. of S. line sec.35,T17N,R17W; 47.0 ft.W.of C/L OK.Hwy.#14; 2.0 ft.E.of N-S fence line on W.side of road. USC&GS & State Marker. C/L E.chimney on L-shaped house in azimuth $17^{\circ}26'57''$; C/L chimney on house in azimuth $73^{\circ}50'52''$; C/L spire on Putnam church in azimuth $355^{\circ}51'42''$.

X-1,711,728.97 Y-331,107.48 El. 1945.308 ft.

9-D-46 TT 1934; Dewey Co., 3.0 mi.N.of Putnam; 622.0 ft.W.& 577.5 ft.S.of approx.NE.cor.sec.2,T16N,R17W; 2.0 ft.E.of SE.& NW.fence line. USC&GS & State Marker. C/L E.chimney on L-shaped house in azimuth $25^{\circ}14'39''$; C/L chimney on schoolhouse in azimuth $304^{\circ}18'47''$; C/L spire on Putnam church in azimuth $358^{\circ}07'17''$.

X-1,712,527.82 Y-328,151.33 El. 1954.392 ft.

9-D-47 TT 1934; Dewey Co., 2.0 mi.N.of Putnam; approx. 200.0 ft.S. of approx.NW.cor.sec.12,T16N,R17W; 2.0 ft.W.of E.fence line. USC&GS & State Marker. C/L chimney on house in azimuth $116^{\circ}47'05''$; C/L chimney on schoolhouse in azimuth $283^{\circ}56'08''$.

X-1,713,096.63 Y-323,248.16 El. 1937.365 ft.

9-D-48 TT 1934; Dewey Co., 0.75 mi.N.of Putnam; 1731.0 ft.S.of approx.NE.cor.sec.14,T16N,R17W; 48.0 ft.W.of C/L OK.Hwy.#14; 2.0 ft.E. of N-S fence line. USC&GS & State Marker. C/L E.chimney on house in azimuth $47^{\circ}30'56''$; C/L chimney on schoolhouse in azimuth $248^{\circ}18'40''$; C/L spire on Putnam church in azimuth $358^{\circ}25'56''$.

X-1,712,927.67 Y-316,462.02 El. 1977.253 ft.

Putnam Tri.Sta., (Dewey Co., C.I.A. 1934) - 1.0 mi.NW.of Putnam; in approx.NW $\frac{1}{4}$ sec.14,T16N,R17W; 150.0 yds.E.of sec.line fence & 350.0 yds. S.of E-W $\frac{1}{2}$ sec.line fence. Reached from Putnam by going W. 1.0 mi.on main E-W road, turn right (N) at cross roads & go 0.6 mi.to point due W. of sta., continue N. 0.4 mi.to gate in NW.cor.of field, enter gate & go across field 0.5 mi.in SE.direction to top of knoll & sta. Surface, underground, reference & azimuth marks are bronze tablets set in conc. & described according to notes lb, 7a, 11b, & 11a.

X-1,708,144.96 Y-316,452.95

R.M.#1 is 429.1 ft.W.SW.of sta.in N-S fence line & 25.0 ft.E.of C/L of N-S road in azimuth $83^{\circ}09'02''$.

R.M.#2 is 452.0 ft.W.NW.of sta.in N-S fence line & 25.0 ft.E.of C/L of N-S road in azimuth $110^{\circ}42'30''$.

Azimuth mark is 0.5 mi.NE.of sta.in E-W fence line & 20.0 ft.S.of C/L of E-W road in azimuth $215^{\circ}07'57''$.

9-D-49 TT 1934; Dewey Co., In Putnam; 368.0 ft.N.& 35.0 ft.E. of approx.SW.cor.sec.13,T16N,R17W; set in S.end of a conc.culvert on E.side of OK.Hwy.#14. USC&GS & State Marker.

X-1,712,970.42 Y-313,275.21 El. 1970.677 ft.

9-D-50 TT 1934; Dewey Co., approx. 1.25 mi.S.of Putnam; 977.6 ft. S.of approx.NE.cor.sec.26,T16N,R17W; on W.side of OK.Hwy.#14. USC&GS & State Marker. C/L E.chimney on L-shaped house in azimuth $133^{\circ}23'23''$; C/L Putnam church in azimuth $181^{\circ}31'28''$; C/L W.chimney on house in azimuth $359^{\circ}36'31''$.

X-1,712,831.64 Y-306,567.31 El. 1936.978 ft.

9-D-51 TT 1934; Dewey Co., approx. 2.3 mi.S.of Putnam; (Approx. 17.3 mi.N.of Arapaho, Custer Co.) 1015.8 ft.S.of approx.NE.cor.sec.35, T16N,R17W; approx. 40.0 ft.W.of C/L OK.Hwy.#14. USC&GS & State Marker. C/L SW.edge of S.chimney on L-shaped house about 0.25 mi.in azimuth $134^{\circ}30'57''$; C/L spire on Putnam church in azimuth $181^{\circ}10'24''$; C/L W.chimney on house in azimuth $358^{\circ}39'49''$.

X-1,712,766.66 Y-301,349.55 El. 1933.825 ft.

9-D-52 TT 1934; Custer Co., Approx. 3.2 mi.S.of Putnam; approx. 16.4 mi.N.of Arapaho; in approx. NE $\frac{1}{4}$ sec.2,T15N,R17W; 50.7 ft.W.of the C/L OK.Hwy.#14; 3.0 ft.E.of N-S fence line & due W.of Bell Tel.pole # 925. USC&GS & State Marker. C/L spire on Putnam church in azimuth $181^{\circ}02'25''$; C/L chimney on house in azimuth $10^{\circ}07'15''$; C/L W.chimney on sq. house about 0.25 mi.in azimuth $351^{\circ}24'48''$.

X-1,712,707.24 Y-296,574.55 El. 1967.489 ft.

9-D-53 TT 1934; Custer Co., 5.25 mi.S.of Putnam; approx. 14.25 mi. N.of Arapaho; 1237.0 ft.S.& 42.0 ft.E.of approx.NW.cor.sec.13,T15N,R17W; 3.0 ft.W.of N-S fence across road from cemetery. USC&GS & State Marker. C/L chimney on 2 story house in azimuth $21^{\circ}41'31''$; C/L W.chimney on house in azimuth $181^{\circ}06'38''$; C/L Custer City W.T.in azimuth $330^{\circ}48'31''$.

X-1,712,716.91 Y-285,325.15 El. 1892.513 ft.

9-D-54 TT 1934; Custer Co., 6.25 mi.S.of Putnam; 13.25 mi.N.of Arapaho; 1277.0 ft.S.of approx.NE.cor.sec.23,T15N,R17W; 47.7 ft.W. of C/L OK.Hwy.#14; 2.0 ft.E.of N-S fence line. USC&GS & State Marker. C/L S.chimney on T-shaped house in azimuth $117^{\circ}13'19''$; C/L chimney on 2 story house surrounded by orchard about 1 mi.in azimuth $42^{\circ}04'26''$; C/L Custer City W.T.in azimuth $327^{\circ}10'41''$.

X-1,712,560.23 Y-280,009.22 El. 1845.249 ft.

Anthon Tri.Sta., (Custer Co., C.I.A. 1935) - 12.0 mi.N.of Arapaho; 13.0 mi.W.of Thomas; 2.5 mi.E.of Anthon; in approx.center N.side of sec. 26,T15N,R17W; reached by going N. 12.3 mi.on OK.Hwy.#14 from jct.of Main

St. & hwy. in Arapaho or 6.1 mi. beyond crossroads at jct. with OK. Hwy. #33, turn (W) at crossroads with Sunset Gas Sta. in SW. angle & go 0.5 mi. to top of grade & sta. Mark is set 7.0 ft. N. of E-W fence line & 25.0 ft. S. of C/L E-W road at $\frac{1}{2}$ sec. fence cor. Surface, underground, reference, & azimuth marks are bronze tablets set in conc. & described according to notes 1b, 7a, 11b, & 11a.

X-1,709,924.93

Y-275,979.38

R.M. #1 is 26.655 m. (87.45 ft.) NE. of sta. in E-W fence line & 30.0 ft. N. of C/L of E-W road in azimuth $225^{\circ}44'28''$.

R.M. #2 is 42.538 m. (139.56 ft.) W. of sta. in E-W fence line & 30.0 ft. S. of C/L of E-W road in azimuth $86^{\circ}34'21''$.

Azimuth mark is approx. 0.5 mi. E. & 0.45 mi. N. of sta., 2.0 ft. E. of N-S fence line & 40.0 ft. W. of C/L of OK. Hwy. #14 running N-S. in azimuth $225^{\circ}29'50''$; C/L Custer City tank in azimuth $321^{\circ}05'13''$.

9-D-55 TT 1934; Custer Co., 7.2 mi. S. of Putnam; 1117.9 ft. S. of approx. NW. cor. sec. 25, T15N, R17W; 45.9 ft. E. of C/L OK. Hwy. #14; about 3.0 ft. W. of N-S fence. Approx. 12.25 mi. N. of Arapaho. USC&GS & State Marker. C/L 2 story house in azimuth $19^{\circ}47'15''$; C/L chimney on 2 story T-shaped house in azimuth $264^{\circ}46'30''$; C/L chimney on sq. house in azimuth $317^{\circ}34'55''$.

X-1,712,609.60

Y-274,899.22

El. 1869.416 ft.

9-D-56 TT 1934; Custer Co., 8.5 mi. S. of Putnam; approx. 11.0 mi. N. of Arapaho; 2138.0 ft. S. of approx. NE. cor. sec. 35, T15N, R17W; 45.8 ft. W. of C/L OK. Hwy. #14. USC&GS & State Marker. C/L Clinton W.T. in azimuth $02^{\circ}09'18''$; C/L Custer City W.T. in azimuth $316^{\circ}42'45''$; C/L Arapaho W. T. in azimuth $359^{\circ}48'48''$.

X-1,712,446.23

Y-268,701.30

El. 1876.040 ft.

9-D-57 TT 1934; Custer Co., 10.0 mi. N. of Arapaho; 9.6 mi. S. of Putnam, Dewey Co., 2440.0 ft. S. & 49.0 ft. E. of approx. NW. cor. sec. 1, T14N, R17W; 14.2 ft. S. of tel. pole #1154, 115.8 ft. N. of pole # 1155, in pole line; 49.0 ft. E. of C/L OK. Hwy. #14. USC&GS & State Marker. C/L chimney on 2 story house in azimuth $30^{\circ}18'21''$; C/L Custer City W.T. in azimuth $309^{\circ}25'29''$; C/L Arapaho W.T. in azimuth $359^{\circ}52'04''$.

X-1,712,508.66

Y-263,018.64

El. 1807.004 ft.

9-D-58 TT 1934; Custer Co., 8.2 mi. N. of Arapaho; 11.4 mi. S. of Putnam; 1139.7 ft. S. & 31.4 ft. W. of approx. NE. cor. sec. 14, T14N, R17W; 83.0 ft. W. of C/L OK. Hwy. #14. USC&GS & State Marker. C/L chimney on sq. house in azimuth $48^{\circ}44'03''$; C/L Custer City W.T. in azimuth $293^{\circ}04'10''$; C/L Arapaho W.T. in azimuth $359^{\circ}35'43''$.

X-1,712,332.65

Y-253,811.83

El. 1764.818 ft.

9-D-59 TT 1934; Custer Co., 7.0 mi. N. of Arapaho; 12.6 mi. S. of Putnam; 1871.0 ft. S. & 2321.0 ft. E. of approx. NW. cor. sec. 24, T14N, R17W; 40.0 ft. W. of C/L OK. Hwy. #14. USC&GS & State Marker. C/L Arapaho W.T. in azimuth $03^{\circ}22'51''$; C/L chimney on 2 story sq. house in azimuth $75^{\circ}03'47''$; C/L Custer City W.T. in azimuth $281^{\circ}09'13''$.

X-1,714,755.65

Y-247,933.06

El. 1726.460 ft.

9-D-60 TT 1934; Custer Co., 5.8 mi. N. of Arapaho; 13.8 mi. S. of Putnam; in approx. SW. NE. sec. 25, T14N, R17W; 55.5 ft. E. of C/L OK. Hwy. # 14; 2.0 ft. N. of $\frac{1}{2}$ sec. fence & 4.0 ft. E. of N-S fence; in SW. cor. of wheat field. USC&GS & State Marker. C/L Arapaho W.T. in azimuth $04^{\circ}25'21''$; C/L chimney on house in azimuth $123^{\circ}47'00''$.

X-1,714,933.42

Y-241,755.75

El. 1683.143 ft.

9-D-61 TT 1934; Custer Co., 4.6 mi. N. of Arapaho; in approx. NE. SW. sec. 36, T14N, R17W; 47.9 ft. W. of C/L OK. Hwy. #14. USC&GS & State Marker. C/L W. chimney on house in azimuth $20^{\circ}38'20''$; C/L chimney on house in azimuth $161^{\circ}35'08''$.

X-1,714,771.56

Y-235,581.76

El. 1661.942 ft.

9-F-51 TT 1936; Junction Station. See Traverse 9-F.

9-D-62 TT 1934; Custer Co., 3.5 mi. N. of Arapaho; in approx. SE. SW.

sec.1,T13N,R17W; 1140.0 ft.S.of conc.bridge over Beaver Creek; 129.0 ft.W.of C/L OK.Hwy.#14; 14.0 ft.W.of W.R/W fence on highest point of hill. USC&GS & State Marker. C/L W.chimney on house in azimuth 73°36'40"; C/L chimney on house in azimuth 169°09'37"; C/L Custer City W. T. in azimuth 236°28'48".

X-1,714,750.85 Y-229,718.44 El. 1667.607 ft.

9-D-63 TT 1934; Custer Co., 2.8 mi.N.of Arapaho; 7.2 mi.N.of Clinton; in approx.NW.SE.sec.12,T13N,R17W; 90.7 ft.S.of E-W $\frac{1}{2}$ line fence of said sec., 45.3 ft.E.of C/L OK.Hwy.#14; 5.0 ft.W.of E.R/W fence. USC&GS & State Marker. C/L Arapaho W.T.in azimuth 08°47'25"; C/L chimney on house in azimuth 171°24'29"; C/L Custer City W.T.in azimuth 229°43'58".

X-1,714,775.07 Y-225,826.40 El. 1702.989 ft.

9-D-64 TT 1934; Custer Co., 1.9 mi.N.of Arapaho; 6.3 mi.N.of Clinton; in approx.SE.NW.sec.13,T13N,R17W; 1604.0 ft.S.of sec.line common to sec. 12 & 13; 54.0 ft.W.of C/L OK.Hwy.#14; 3.5 ft.E.of W.R/W fence. USC&GS & State Marker. C/L Arapaho W.T.in azimuth 11°59'07"; C/L S.chimney on T-shaped house in azimuth 70°21'24"; C/L red brick church spire in Arapaho in azimuth 358°18'41".

X-1,714,631.19 Y-221,382.11 El. 1673.711 ft.

9-D-65 TT 1934; Custer Co., 0.6 mi.N.of Arapaho; 5.0 mi.N.of Clinton; in approx.NE.SW.sec.24,T13N,R17W; 400.0 ft.W.of C/L OK.Hwy.#14; 2.0 ft.E.of N-S fence; 210.0 ft.E.of C/L produced of OK.Hwy.#14 N.of Arapaho. USC&GS & State Marker. C/L Arapaho W.T.in azimuth 22°12'45"; C/L Custer City W.T.in azimuth 217°14'09"; C/L Arapaho brick church spire in azimuth 326°26'27".

X-1,713,624.27 Y-214,388.07 El. 1654.397 ft.

9-D-651 TT 1934; Custer Co., In Arapaho; on SW.cor.of foundation of Custer Co. C.H. USC&GS & State Marker.

X-1,714,605.98 Y-212,195.57 El. 1668.980 ft.

For additional elevations in vicinity of Arapaho, see USC&GS # 14 Arapaho-Anthony Kansas. Traverse 21-F & 14-B.

9-D-66 TT 1934; Custer Co., 0.4 mi.S.of Arapaho; 4.0 mi.N.of Clinton; in approx.NE.SW.sec.25,T13N,R17W; 254.0 ft.S.of S.boundary St., in Arapaho; ($\frac{1}{2}$ sec.line) 47.6 ft.E.of C/L OK.Hwy.#14; 2.0 ft.W.of E. R/W fence; 90.0 ft.N.of apparent point of tangent S.of Arapaho. USC&GS & State Marker. C/L Clinton W.T.in azimuth 10°06'52"; C/L Arapaho W.T. in azimuth 162°05'42"; C/L Arapaho Church spire in azimuth 211°30'36".

X-1,713,301.50 Y-209,875.75 El. 1659.022 ft.

9-D-67 TT 1934; Custer Co., 1.0 mi.S.of Arapaho; 3.4 mi. N. of Clinton; in approx.NE.NW.sec.36,T13N,R17W; 48.7 ft.W.of C/L OK.Hwy. # 14; 2.0 ft.E.of W.R/W fence. USC&GS & State Marker. C/L Clinton W.T. in azimuth 11°31'42"; C/L Arapaho W.T.in azimuth 174°39'27"; C/L Arapaho church spire in azimuth 196°02'28".

X-1,713,149.49 Y-206,404.91 El. 1634.386 ft.

9-D-68 TT 1934; Custer Co., 1.3 mi.S.of Arapaho; 3.1 mi.N.of Clinton; in approx.SW.NW.sec.36,T13N,R17W; 24.0 ft.N.of $\frac{1}{4}$ sec.line E-W through sec.36; 657.5 ft.W.of C/L OK.Hwy.#14 on C/L projected of hwy. N. from Clinton. USC&GS & State Marker. C/L Clinton W.T.in azimuth 10°12'38"; C/L chimney on sq.house in azimuth 52°07'28"; C/L Arapaho W. T. in azimuth 181°36'12".

X-1,712,431.61 Y-204,836.30 El. 1599.586 ft.

9-D-69 TT 1934; Custer Co., 2.25 mi.S.of Arapaho; 2.15 mi. N. of Clinton; in approx.SW.NE.sec.2,T12N,R17W; 325.0 ft.N.of $\frac{1}{4}$ line; 46.0 ft. E.of C/L of OK.Hwy.#14; 3.0 ft.W.of E.R/W fence. USC&GS & State Marker. C/L Clinton W.T.in azimuth 14°07'50"; C/L brick chimney on sq.house in azimuth 124°35'00"; C/L Arapaho W.T.in azimuth 181°00'05".

X-1,712,422.44 Y-200,039.72 El. 1550.040 ft.

9-D-70 TT 1934; Custer Co., 0.45 mi.N.of Clinton City Hall; in the approx.NW.NE.sec.14,T12N,R17W; 627.6 ft.N.of C/L of Nowaha Ave., 16.0 ft.

- E. of C/L of N. 6th St., 387.6 ft. N. of N. wall of Clinton Stock pavilion; 1.0 ft. E. of E. curb where pvt. narrows to width of 24". USC&GS & State Marker. C/L Clinton W.T. in azimuth $42^{\circ}11'09''$; C/L SW. cor. elevator shaft on Calmez Hotel in Clinton in azimuth $335^{\circ}08'11''$.
- X-1,712,293.46 Y-191,208.55 El. 1558.680 ft.
 9-D-701 TT 1934; Custer Co., In Clinton; on W. curb of N. 6th St., 29.0 ft. N. of N. curb of Frisco Ave., 17.5 ft. NE. of SE. cor. of City Hall; 27.0 ft. S. of C/L projected of E. entrance. USC&GS & State Marker. C/L Arapaho W.T. in azimuth $180^{\circ}58'50''$; C/L SW. edge brick bldg. occupied by Dixie Dept. Store in azimuth $288^{\circ}29'30''$.
- X-1,712,233.30 Y-188,721.54 El. 1564.872 ft.
 9-D-702 TT 1934; Custer Co., 0.45 mi. S. of Clinton; in approx. NW. NE. sec. 23, T12N, R17W; on property line on E. side of 6th St. projected, 88.6 ft. S. of C/L US. Hwy. #66; 2 blocks S. of Modelle Ave., along S. 6th St. projected. USC&GS & State Marker. C/L Clinton W.T. in azimuth $129^{\circ}58'09''$; C/L SW. cor. elevator shaft on Calmez Hotel in Clinton in azimuth $201^{\circ}13'49''$.
- X-1,712,254.25 Y-185,748.32 El. 1565.717 ft.
 9-D-71 TT 1934; Custer Co., In Clinton; in approx. SE. NE. sec. 15, T12N, R17W; 19.6 ft. E. of C/L of N. 14th St., 52.3 ft. S. of Dunn Ave., in lot 12, block 13. Maker Addition. USC&GS & State Marker. C/L Arapaho church spire in azimuth $193^{\circ}52'24''$; C/L cor. belfry on Clinton Methodist Church in azimuth $303^{\circ}56'58''$; C/L Clinton W.T. in azimuth $354^{\circ}51'14''$.
- X-1,709,277.63 Y-189,728.97 El. 1569.415 ft.
 Clinton Tri. Sta., (Custer Co., C.I.A. 1935) - Station is located in W. edge of Clinton; reached from P.O. by going W. on Frisco Ave. 0.4 mi., turn left (S) on 13th St. & go 0.1 mi. to municipal W.T. & sta. is on left. Sta. mark is set 146.0 ft. N. of C/L of Hays Ave., 138.0 ft. W. of C/L of 13th St. & 74.0 ft. SE. of center of W.T. Mark is about 2" below surface of ground. Surface, underground, reference & azimuth marks are bronze tablets set in conc. & described according to notes 1b, 7a, 11b, & 11a.
- X-1,709,467.57 Y-188,061.52 El. 1591.795 ft.
 R.M.#1 is 30.770 m. (100.96 ft.) E. of sta. & 6.0 ft. W. of side walk in azimuth $261^{\circ}59'46''$.
 R.M.#2 is 34.728 m. (113.94 ft.) S. of sta. & 6.0 ft. N. of side walk in azimuth $359^{\circ}59'56''$.
 Azimuth mark is approx. 0.3 mi. in azimuth $86^{\circ}12'35''$; W. of sta. & reached by going W. on Hays Ave. 0.3 mi. to mark on right; 85.0 ft. N. NE. of NE. cor. of house, 39.0 ft. N. of C/L of Hays Ave. on W. edge of cultivated field. Mark projects about 5".
- 9-D-72 TT 1934; Custer Co., In Clinton; in approx. NW. SE. sec. 15, T12N, R17W; 1210.0 ft. NE. of Santa Fe W.T. (old Orient W.T.) in lot 8, block 11, Orient addition; apparently on property line on W. side of 17th St., 4 blocks W. & 1 block N. of Clinton W.T., 12.0 ft. N. of property line on N. side of St. projected. USC&GS & State Marker. C/L Arapaho W.T. in azimuth $190^{\circ}46'35''$; C/L SW. cor. elevator shaft on Calmez Hotel in azimuth $266^{\circ}08'45''$.
- X-1,708,141.89 Y-188,363.73 El. 1597.354 ft.
 9-D-72-A TT 1934; Custer Co., In Clinton; in approx. SE. SE. sec. 15, T12N, R17W; in alley between 16th & 17th Sts., 236.8 ft. N. of C/L of Modelle Ave. projected, Orient Addition; 17.5 ft. W. of power & phone pole. 42.6 ft. S. of fence cor. in lot 39, block 19. USC&GS & State Marker.
- X-1,708,343.27 Y-186,838.36
 9-D-73 TT 1934; Custer Co., 1.6 mi. S. of Clinton; 13.7 mi. N. of E. boundary of Cordell; in approx. SE. SE. sec. 22, T12N, R17W; 899.0 ft. W. & 52.0 ft. N. of sec. cor. common to sec. 22, 23, 26 & 27, T12N, R17W; 59.1 ft. W. of C/L US. Hwy. #66 & OK. Hwy. #14. USC&GS & State Marker. C/L chimney on T-shaped house (windmill between house & barn) in azimuth $13^{\circ}47'53''$; C/L SW. cor. elevator shaft on Calmez Hotel in azimuth $169^{\circ}22'28''$; C/L smoke stack at T.B. Sanitorium in azimuth $238^{\circ}33'33''$.
- X-1,708,757.61 Y-181,372.92 El. 1585.463 ft.

9-D-74 TT 1934; Custer Co., 2.45 mi.S.of Clinton; 12.8 mi.N.of E. boundary of Cordell, at OK.Hwy.#41; in approx.SE.SE.sec.27,T12N,R17W; 1234.0 ft.W.& 723.1 ft.N.of sec.cor.common to sec's.26, 27, 34, & 35; 45.0 ft.W.of OK.Hwy.#14. USC&GS & State Marker. C/L sq. 1 story house in azimuth $30^{\circ}23'42''$; C/L SW.cor.elevator shaft on Calmez Hotel in Clinton in azimuth $203^{\circ}09'22''$; C/L T.B.Sanitorium smoke stack in azimuth $226^{\circ}46'47''$.

X-1,708,305.97 Y-176,786.27 El. 1622.813 ft.

9-D-75 TT 1934; Washita Co., 4.15 mi.S.of Clinton; via OK.Hwy.#14; 11.1 mi.N.of Cordell; in approx.NE.SE.sec.3,T11N,R17W; 47.2 ft.E. of C/L SL&SF RR; 14.0 ft.E.of telegraph pole #685; about 150.0 ft.S. of $\frac{1}{2}$ line. Sta.is also BM D-28 of precise levels. USC&GS & State Marker. C/L chimney on sq.1 story house in azimuth $109^{\circ}45'46''$; C/L Clinton W.T.in azimuth $179^{\circ}56'26''$; C/L T.B.Sanitorium smoke stack in azimuth $193^{\circ}16'51''$.

X-1,709,444.58 Y-168,120.92 El. 1591.352 ft.

Bessie Tri.Sta.(Washita Co., C.I.A. 1935) - 5.0 mi.S.of Clinton; 4.0 mi.N.of Bessie; near approx.center sec.10,T11N,R17W; 108.0 ft.E.of N-S fence & 630.0 ft.N.of E-W fence on highest ground in vicinity, except for a range to W.of same elevation. To reach sta.from Clinton, go S.on OK.Hwy.#14 for 5.0 mi.to crossroads, turn right (W) & go 0.5 mi.to gate on left, go thru gate & proceed 0.45 mi.SW.to highest ground & sta., John Bangart owner. Azimuth mark is 2.2 mi.N.NE.of sta., 55.0 ft. E.of C/L hwy.in fence line; 0.35 mi.N.of where OK.Hwy.#14 turns W. & goes thru underpass; mark projects 6" above ground. To reach from sta. go 0.45 mi.NE.to gate, pass thru gate & go 0.5 mi.E.to hwy. Turn left & go 1.8 mi.due N.to a curve to E.& go to mark on right side of road. Surface, underground, reference, & azimuth marks are bronze tablets set in conc.& described according to notes lb, 7a, 11b, & 11a.

X-1,705,576.11 Y-163,578.08 El. 1747.223 ft.

R.M.#1 is 52.100 m. (170.94 ft.) in azimuth $40^{\circ}27'11''$. El. 1741.629 ft.

R.M.#2 is 33.495 m. (109.90 ft.) in azimuth $104^{\circ}40'48''$. El. 1745.422 ft.

Azimuth mark is 2.2 mi.in azimuth $198^{\circ}53'18''$.

C/L Clinton W.T.in azimuth $188^{\circ}54'39''$.

C/L spire on church E.of Bessie in azimuth $349^{\circ}13'56''$.

9-D-76 TT 1934; Washita Co., 6.55 mi.S.of Clinton; 8.7 mi.N. of E. boundary of Cordell; at OK.Hwy.#41; in approx.NW.NE.sec.22,T11N,R17W; 436.0 ft.S.of C/L E-W sec.line common to sec.15 & 22; 44.5 ft.W. of W. rail at SL&SF RR; 3.0 ft.E.of W.fence; 12.0 ft.S.& 70.0 ft.W.of MP. # 687-18. USC&GS & State Marker. C/L W.chimney on Bessie Consolidated School in azimuth $11^{\circ}15'16''$; C/L spire on church in azimuth $351^{\circ}28'11''$.

X-1,707,700.35 Y-154,579.51 El. 1618.378 ft.

9-D-77 TT 1934; Washita Co., 8.55 mi.S.of Clinton; 6.75 mi. N. of Cordell; at OK.Hwy.#41; in approx.NW $\frac{1}{2}$ sec.35,T11N,R17W; 108.0 ft.S. & 32.0 ft.E.of intersection of cor.common to sec's. 26, 27, 34, & 35; 37.7 ft.NW.of cor.of Lutheran Church; 42.1 ft.SW.of cor.of Lutheran Church. USC&GS & State Marker. To Bessie Tri.Sta.in azimuth $340^{\circ}07'53''$.

X-1,709,213.03 Y-144,271.47 El. 1578.391 ft.

9-D-78 TT 1934; Washita Co., 10.45 mi.S.of Clinton; 4.85 mi.N.of E. boundary of Cordell, on OK.Hwy.#41; in approx.SE.SE.sec.3,T10N,R17W; 101.0 ft.N.& 10.5 ft.W.of cor.common to sec's, 2, 3, 10, & 11. USC&GS & State Marker. C/L chimney on Bessie Consolidated School in azimuth $158^{\circ}23'48''$. C/L S.chimney on $1\frac{1}{2}$ story house in azimuth $263^{\circ}05'48''$.

X-1,709,060.01 Y-133,954.14 El. 1491.189 ft.

9-D-79 TT 1934; Washita Co., 11.1 mi.S.of Clinton; 4.2 mi. N.of E. boundary of Cordell, at OK.Hwy.#41; in approx.NW $\frac{1}{2}$ SW $\frac{1}{2}$ sec.11,T10N,R17W; 3440.9 ft.S.& 30.0 ft.E.of cor.common to sec's. 2, 3, 10, & 11; 29.0 ft. S.of tel.pole #301. USC&GS & State Marker. C/L Lutheran Church spire in azimuth $180^{\circ}46'51''$; C/L S.chimney on $1\frac{1}{2}$ story house in azimuth $226^{\circ}08'11''$.

X-1,709,061.35 Y-130,412.55 El. 1520.358 ft.

9-D-80 TT 1934; Washita Co., 12.8 mi.S.of Clinton; 2.5 mi.N. of E. boundary of Cordell, on OK.Hwy.#41; in approx.SE.NE.sec.22,T10N,R17W;

Traverse in Northwestern Oklahoma

- 2073.2 ft.S. & 38.0 ft.W. of cor. common to sec's. 14, 15, 22, & 23; 2.0 ft.E. of N-S fence line. USC&GS & State Marker. C/L chimney on $1\frac{1}{2}$ -story house in azimuth $70^{\circ}35'10''$; C/L chimney on W. end of house in azimuth $326^{\circ}42'10''$.
- X-1,708,852.26 Y-121,238.85 El. 1570.573 ft.
 9-D-81 TT 1934; Washita Co., 13.85 mi.S. of Clinton; 1.5 mi.N. of E. boundary of Cordell, on OK.Hwy.#41; in approx.SW.NW.sec.26,T10N,R17W; 2852.3 ft.N. & 23.0 ft.E. of sec.cor. common to sec's. 26, 27, 34, & 35; 4.0 ft.W. of N-S fence line. USC&GS & State Marker. C/L SE.cor. of Lincoln Grade School in Cordell in azimuth $44^{\circ}18'25''$; C/L chimney on $1\frac{1}{2}$ story house in azimuth $124^{\circ}08'45''$; C/L W.chimney on house in azimuth $217^{\circ}20'55''$.
- X-1,708,849.09 Y-115,586.20 El. 1592.493 ft.
 9-D-82 TT 1934; Washita Co., 14.45 mi.S. of Clinton; 0.8 mi.N. of E. boundary of Cordell, on OK.Hwy.#41; in approx.NE.NE.sec.34,T10N,R17W; 461.0 ft.S. & 33.0 ft.W. of sec.cor. common to sec's. 26, 27, 34 & 35; 3.0 ft.E. of N-S fence line. USC&GS & State Marker. C/L SE.cor. of Jefferson Grade School in Cordell in azimuth $20^{\circ}38'47''$; C/L cupola on house in Cordell in azimuth $55^{\circ}05'09''$; C/L SE.cor. of Lincoln Grade School in Cordell in azimuth $68^{\circ}56'32''$.
- X-1,708,763.97 Y-112,274.36 El. 1587.705 ft.
 13-B-25 TT 1934; Junction Station. See Traverse 13-B.

Traverse 9-E; Dewey & Roger Mills Counties
 9-D-49 TT 1934 to Washita Tri. Sta.
 North Projection

- 9-D-49 TT 1934; Junction Station. See Traverse 9-D.
- 9-E-1 TT 1936; Dewey Co., 0.85 mi.W. of Putnam; 799.0 ft.E. & 28.0 ft.N. of approx.SW.cor.sec.14,T16N,R17W; in range of W. end of Clyde Hunt farmhouse on opposite side of Co. road. OSCC Marker. C/L S.gable on $1\frac{1}{2}$ story house about 1 mi. in azimuth $162^{\circ}04'23''$; C/L steeple on Putnam brick church in azimuth $265^{\circ}44'28''$.
- X-1,708,463.06 Y-312,972.34 El. 1991.333 ft.
 9-E-2 TT 1936; Dewey Co., 2.75 mi.W. of Putnam; 1346.0 ft.E. & 32.0 ft.S. of approx.NW.cor.sec.21,T16N,R17W; OSCC Marker. C/L E. end gable on $1\frac{1}{2}$ story house about 1.5 mi. in azimuth $35^{\circ}13'02''$; C/L gable W. wing of house about 2.5 mi. in azimuth $279^{\circ}22'17''$; C/L peak N. end large barn about 3 mi. in azimuth $316^{\circ}51'52''$.
- X-1,698,599.85 Y-313,023.87 El. 1916.956 ft.
 9-E-3 TT 1936; Dewey Co., 4.75 mi.W. of Putnam; 255.0 ft.W. & 34.0 ft.N. of approx.S $\frac{1}{2}$ cor.sec.18,T16N,R17W; in range of cross fence; 5.0 ft. N. of N.R/W fence. OSCC Marker. C/L E.gable on $1\frac{1}{2}$ story farmhouse about 1 mi. in azimuth $88^{\circ}00'45''$; C/L S. end peak roof on house about 1 mi. in azimuth $134^{\circ}59'15''$; C/L W. end gable on house, roof showing, in azimuth $261^{\circ}58'52''$.
- X-1,688,065.96 Y-313,189.87 El. 2002.832 ft.
 9-E-4 TT 1936; Dewey Co., 5.3 mi.W. of Putnam; in approx.NE $\frac{1}{4}$ sec. 24,T16N,R18W; on top of prominent ridge; 3.0 ft.S. of S.R/W fence in range of W. R/W fence on road to N. OSCC Marker. C/L S. end comb of roof on bungalow across river in azimuth $138^{\circ}32'21''$; C/L steeple on Putnam brick church in azimuth $269^{\circ}43'12''$; C/L N. end of roof on large barn about 3 mi. in azimuth $342^{\circ}58'22''$.
- X-1,685,406.07 Y-313,201.09 El. 2010.271 ft.
 9-E-5 TT 1936; Dewey Co., 6.5 mi.W. & 1.0 mi.S. of Putnam; 18.0 ft. W. & 24.0 ft.S. of approx.N $\frac{1}{2}$ cor.sec.26,T16N,R18W; 2.5 ft.S. of S.R/W fence 60.0 ft. S. of E. end of hedge row in N. R/W fence. OSCC Marker. C/L E. gable on Aledo schoolhouse in azimuth $68^{\circ}40'18''$; C/L roof on W. end of church about 0.75 mi. in azimuth $225^{\circ}40'04''$; C/L N. end comb of roof on Burmah Schoolhouse in azimuth $316^{\circ}00'36''$.
- X-1,678,766.63 Y-308,033.45 El. 1959.786 ft.

9-E-6 TT 1936; Dewey Co., 7.5 mi.W.& 1.0 mi.S.of Putnam; 2.0 ft.E. & 31.0 ft.N.of approx.S $\frac{1}{4}$ cor.sec.22,T16N,R18W. OSCC Marker. C/L belfry on Aledo School in azimuth 54°56'58"; C/L S.gable on house about 1 mi. in azimuth 225°52'00"; C/L chimney on house about 3 mi.in azimuth 290°55'48".

X-1,673,506.33 Y-308,146.27 El. 1978.118 ft.

9-E-7 TT 1934; Dewey Co., 9.15 mi.W.& 1.0 mi.S.of Putnam; in approx. NE.cor.sec.29,T16N,R18W; 2.0 ft.N.of S.R/W fence. OSCC Marker. C/L chimney on house about 1.5 mi.in azimuth 51°51'59"; C/L S.end roof on house about 3 mi.in azimuth 257°30'29"; C/L W.end roof on house N.of Aledo Store in azimuth 336°01'16".

X-1,664,656.72 Y-308,197.94 El. 1948.429 ft.

9-E-8 TT 1936; Dewey Co., 10.5 mi.W.& 1.0 mi.S.of Putnam; 28.0 ft. N.& 169.0 ft.E.of approx.S $\frac{1}{4}$ cor.sec.19,T16N,R18W. OSCC Marker. C/L N. end roof on church about 1 mi.in azimuth 05°46'29"; C/L Leedey W.T. in azimuth 101°20'21"; C/L W.end roof on house about 0.75 mi.in azimuth 320°06'41".

X-1,657,860.04 Y-308,352.97 El. 1989.096 ft.

9-E-9 TT 1936; Dewey Co., 12.4 mi.W.& 1.0 mi.S.of Putnam; 39.6 ft. S.& 352.0 ft.E.of approx.N $\frac{1}{4}$ cor.sec.26,T16N,R19W; 600.0 ft.E.& 156.0 ft. S.of Eddie Farrell farmhouse. OSCC Marker. C/L N.end roof on house about 1 mi.in azimuth 59°15'28"; C/L N.end roof on church about 2 mi.in azimuth 299°06'58"; C/L chimney on house about 3 mi.in azimuth 356°27'38".

X-1,647,733.18 Y-308,301.34 El. 1956.473 ft.

9-E-10 TT 1936; Dewey Co., 13.1 mi.W.& 1.0 mi.S.of Putnam; 576.0 ft.W.& 31.8 ft.N.of SE.cor.sec.22,T16N,R19W; 933.0 ft.E.of C.A.Briskill farmhouse. OSCC Marker. C/L chimney on Rhea School in azimuth 90°05'03"; C/L chimney on house in trees about 3 mi.in azimuth 134°10'30"; C/L N. end comb roof on church about 4 mi.in azimuth 292°28'10".

X-1,644,149.08 Y-308,409.90 El. 1963.169 ft.

9-E-11 TT 1936; Dewey Co., 15.2 mi.W.& 1.0 mi.S.of Putnam; 0.2 mi. W.of Rhea; near approx.SW.cor.SE.SE.sec.20,T16N,R19W; 33.0 ft.N.of C/L Co.road; 110.0 ft.N.& 27.0 ft.E.of old farmhouse on S.side of road. OSCC Marker. C/L Leedey W.T.in azimuth 109°06'44"; C/L peak of ventilator on barn in azimuth 165°57'19"; C/L chimney on sq.house about 3 mi.in azimuth 293°31'39".

X-1,633,013.80 Y-308,674.05 El. 1986.947 ft.

9-E-12 TT 1936; Dewey Co., 16.25 mi.W.& 1.0 mi.S.of Putnam; 2.0 mi. S.& 5.15 mi.E.of Leedey; 34.0 ft.S.& 1646.0 ft.W.of approx.N $\frac{1}{4}$ cor.sec. 30,T16N,R19W. OSCC Marker. C/L chimney on small farmhouse about 3 mi.in azimuth 53°25'47"; C/L Leedey W.T.in azimuth 112°52'48"; C/L chimney on house on N.side of E-W Co.road about 2 mi.in azimuth 263°48'20".

X-1,627,488.82 Y-308,593.19 El. 1956.378 ft.

9-E-13 TT 1936; Dewey Co., 17.85 mi.W.& 1.0 mi.S.of Putnam; 2.0 mi. S.& 3.55 mi.E.of Leedey; 33.0 ft.N.& 500.0 ft.E.of approx.SW.cor.sec.24, T16N,R20W. OSCC Marker. C/L E.end gable on house, roof only showing, about 3 mi.in azimuth 63°56'38"; C/L Leedey W.T.in azimuth 121°32'45"; C/L chimney on sq.house about 3 mi.in azimuth 224°38'13".

X-1,618,992.40 Y-308,745.34 El. 1926.538 ft.

9-E-14 TT 1936; Dewey Co., 2.0 mi.S.& 1.5 mi.E.of Leedey; 654.0 ft. E.of approx.NW.cor.sec.27,T16N,R20W; 2.0 ft.N.of S.R/W fence; 33.0 ft.S. of C/L Co.road; about 800.0 ft.NE.of New Harmon Church. OSCC Marker. C/L chimney on house on S.side of road about 1 mi.in azimuth 90°21'27"; C/L Leedey W.T.in azimuth 145°23'27"; C/L W.gable on 1 $\frac{1}{2}$ story house about 2 mi.in azimuth 239°29'17".

X-1,608,649.22 Y-308,782.70 El. 2015.801 ft.

9-E-15 TT 1936; Dewey Co., 1.85 mi.S.of Leedey; 847.0 ft.N.& 35.0 ft.W.of approx.SE.cor.sec.20,T16N,R20W; 79.0 ft.S.of field fence cor. opposite large cedar trees in farm yard E.of road. OSCC Marker. C/L E. end comb roof on house about 2 mi.in azimuth 118°43'13"; C/L Leedey W.T. in azimuth 171°06'33"; C/L chimney on sq.house on skyline about 3 mi.in

- azimuth $330^{\circ}11'03''$.
 X-1,602,652.70 Y-309,765.66 El. 2043.176 ft.
 10-J-22 TT 1936; Junction Station. See Traverse 10-J.
 9-E-16 TT 1936; Dewey Co., 2.15 mi.SW.of Leedey; via OK.Hwy.#34;
 29.0 ft.N.& 60.0 ft.E.of approx.SW.cor.sec.20,T16N,R20W; 11.5 ft.E.& 2.0
 ft.S.of NE.R/W fence cor. OSCC Marker. C/L chimney on 2 story house ab-
 out 1.5 mi.in azimuth $47^{\circ}18'44''$; C/L S.gable on $1\frac{1}{2}$ story farmhouse about
 1 mi.in azimuth $157^{\circ}13'44''$; C/L Leedey W.T.in azimuth $198^{\circ}30'21''$.
 X-1,597,499.37 Y-308,989.75 El. 2024.847 ft.
 9-E-17 TT 1936; Roger Mills Co., 2.0 mi.S.& 2.1 mi.W.of Leedey;
 near approx.SE.cor.SW.sec.24,T16N,R21W; 2.5 ft.S.of N.R/W fence & in
 range of $\frac{1}{2}$ sec.fence to S. OSCC Marker. C/L comb of roof, E.wing of house
 about 0.75 mi.in azimuth $92^{\circ}15'46''$; C/L Leedey W.T.in azimuth $226^{\circ}54'32''$.
 C/L W.gable on 2 story house about 1 mi.in azimuth $331^{\circ}16'02''$.
 X-1,589,713.55 Y-309,083.04 El. 2068.326 ft.
 9-E-18 TT 1936; Roger Mills Co., 3.5 mi.W.& 2.0 mi.S.of Leedey;
 660.5 ft.E.of approx.NW.cor.sec.26,T16N,R21W; 24.0 ft.S.of C/L Co.road;
 OSCC Marker. C/L belfry on schoolhouse about 2 mi.in azimuth $90^{\circ}16'38''$;
 C/L S.end comb roof on house about 1.5 mi.in azimuth $141^{\circ}41'33''$; C/L
 Leedey W.T.in azimuth $240^{\circ}32'18''$.
 X-1,582,417.83 Y-309,181.53 El. 2062.168 ft.
 9-E-19 TT 1936; Roger Mills Co., 2.0 mi.S.& 5.5 mi.W.of Leedey;
 700.0 ft.E.& 25.3 ft.N.of approx.SW.cor.sec.21,T16N,R21W; about 0.2 mi.
 E.of Red Star schoolhouse & W.of Conoco Filling Station. OSCC Marker.
 C/L chimney on school bldg.about 4 mi.in azimuth $46^{\circ}43'04''$; C/L apex
 belfry on church by cemetary in azimuth $98^{\circ}49'19''$; C/L chimney on $1\frac{1}{2}$
 story house about 3 mi.in azimuth $311^{\circ}13'04''$.
 X-1,571,944.57 Y-309,353.88 El. 2094.672 ft.
 9-E-20 TT 1936; Roger Mills Co., 2.0 mi.S.& 7.05 mi.W.of Leedey;
 362.0 ft.E.& 40.4 ft.N.of approx.S $\frac{1}{2}$ cor.sec.19,T16N,R21W. OSCC Marker.
 C/L chimney on schoolhouse about 3 mi.in azimuth $39^{\circ}03'43''$; C/L S.end
 comb roof on house about 2 mi.in azimuth $172^{\circ}06'48''$; C/L W.gable on a
 house in azimuth $301^{\circ}46'25''$.
 X-1,563,741.24 Y-309,523.85 El. 2082.394 ft.
 9-E-21 TT 1936; Roger Mills Co., 2.0 mi.S.& 7.95 mi.W.of Leedey;
 844.6 ft.W.& 27.0 ft.S.of approx.N $\frac{1}{2}$ cor.sec.25,T16N,R22W. OSCC Marker.
 C/L chimney on schoolhouse about 3 mi.in azimuth $34^{\circ}04'39''$; C/L S. end
 comb roof on house about 2 mi.in azimuth $164^{\circ}08'49''$; C/L W.end gable on
 house about 3 mi.in azimuth $291^{\circ}49'49''$.
 X-1,559,065.74 Y-309,511.43 El. 2085.193 ft.
 9-E-22 TT 1936; Roger Mills Co., 2.0 mi.S.& 10.15 mi.W.of Leedey;
 248.2 ft.W.& 61.0 ft.S.of approx.N $\frac{1}{2}$ cor.sec.27,T16N,R22W; 84.0 ft.S. of
 18" cotton-wood tree stump in N.R/W fence. OSCC Marker. C/L S.end comb
 roof on house about 1 mi.in azimuth $147^{\circ}34'38''$; C/L S.end comb roof on
 house about 4 mi.in azimuth $226^{\circ}55'41''$; C/L W.end gable on house about
 4 mi.in azimuth $282^{\circ}23'58''$.
 X-1,547,473.95 Y-309,658.88 El. 2109.817 ft.
 9-E-23 TT 1936; Roger Mills Co., 2.0 mi.S.& 10.95 mi.W.of Leedey;
 2.0 mi.N.& 0.35 mi.W.of Three Corner Schoolhouse; 749.5 ft.E.& 36.7 ft.
 N.of approx.S $\frac{1}{2}$ cor.sec.21,T16N,R22W; 2.5 ft.SE.of fence cor.to private
 road on N. OSCC Marker. C/L E.gable on house on N.side of road about 1
 mi.in azimuth $101^{\circ}24'48''$; C/L Leedey W.T.in azimuth $260^{\circ}17'30''$; C/L apex
 belfry on schoolhouse about 1.5 mi.in azimuth $350^{\circ}58'58''$.
 X-1,543,244.48 Y-309,826.72 El. 2196.878 ft.
 9-E-24 TT 1936; Roger Mills Co., 2.2 mi.S.& 11.6 mi.W.of Leedey;
 1.0 mi.W.& 1.8 mi.N.of Three Corner School; 25.0 ft.E.& 232.5 ft.N. of
 40 acre cor.stone (buried) SW.NW.sec.28,T16N,R22W; about 350.0 ft.N. of
 group of farm bldgs. E.of road. OSCC Marker. C/L S.end gable on house
 about 0.5 mi.in azimuth $175^{\circ}25'42''$; C/L Leedey W.T.in azimuth $259^{\circ}48'32''$;
 C/L apex belfry on schoolhouse about 2 mi.in azimuth $331^{\circ}35'20''$.
 X-1,539,903.05 Y-308,736.73 El. 2208.913 ft.

9-E-25 TT 1936; Roger Mills Co., 3.0 mi.S.& 11.95 mi.W.of Leedeey; 1.0 mi.N.& 1.35 mi.W.of Three Corner School; 29.6 ft.N.& 390.5 ft.W.of approx.N $\frac{1}{4}$ cor.sec.32,T16N,R22W. OSCC Marker. C/L E.end comb roof on a small house about 1.5 mi.in azimuth 54°26'03"; C/L S.end comb roof on 1 $\frac{1}{2}$ story house about 0.75 mi.in azimuth 207°10'46"; C/L apex of belfry on schoolhouse about 2 mi. in azimuth 307°03'23".

X-1,538,140.66 Y-304,626.43 El. 2110.097 ft.

9-E-26 TT 1936; Roger Mills Co., 3.2 mi.S.& 12.6 mi.W.of Leedeey; 1088.7 ft.S.& 26.0 ft.W.of approx.NE.cor.sec.31,T16N,R22W; 3.5 ft.N.& 4.5 ft.W.of SE.yard fence cor. OSCC Marker. C/L E.end comb roof on house about 1 mi.in azimuth 32°35'50"; C/L Leedeey W.T.in azimuth 256°23'38"; C/L apex belfry on schoolhouse, tower visible, in azimuth 291°29'12".

X-1,534,513.82 Y-303,620.11 El. 2159.911 ft.

9-E-27 TT 1936; Roger Mills Co., 8.0 mi.E.& 1.85 mi.N.of Roll; 702.0 ft.S.& 22.0 ft.E.of approx.NW.cor.sec.5,T15N,R22W; 2.0 ft.E.of E. R/W fence along N-S Co.road. OSCC Marker. C/L E.end comb roof on house about 0.75 mi.in azimuth 136°39'23"; C/L Leedy W.T.in azimuth 252°31'43"; C/L W.end comb roof on small house about 1 mi.in azimuth 307°57'58".

X-1,534,469.40 Y-298,764.00 El. 2194.458 ft.

9-E-28 TT 1936; Roger Mills Co., 8.0 mi.E.& 0.95 mi.N.of Roll; 400.0 ft.S.& 182.0 ft.W.of approx.NE.cor.sec.7,T15N,R22W; on top of a small rounded knoll; 117.5 ft.S.of fence cor.W.of N-S road. OSCC Marker. C/L N.end comb roof on 1 $\frac{1}{2}$ story house in azimuth 30°59'17"; C/L S.end comb roof on house in azimuth 144°16'57"; C/L Leedeey W.T.in azimuth 248°51'44".

X-1,534,260.50 Y-293,890.27 El. 2227.753 ft.

9-E-29 TT 1936; Roger Mills Co., 8.0 mi.E. & 0.45 mi.N.of Roll; in approx.center NE.SE.sec.7,T15N,R22W; on brow heading arroyo, skirted by Co.road; 337.0 ft.S.& 264.0 ft.W.of R/W fence cor. OSCC Marker encased in a cement rock collar. C/L N.end comb roof on house in azimuth 45°27'12"; C/L Leedeey W.T.in azimuth 247°05'42"; C/L W.chimney on schoolhouse about 5 mi.in azimuth 314°02'30".

X-1,533,839.89 Y-291,315.79 El. 2274.326 ft.

9-E-30 TT 1936; Roger Mills Co., 7.7 mi.E.of Roll; 28.3 ft.N.of C/L E-W Co.road near approx.SE.cor.SW.SE.sec.7,T15N,R22W; 215.0 ft.W.of field fence to S. & 322.0 ft.W.of 12" mesquite tree N.of road. OSCC Marker. C/L N.end comb roof on house in azimuth 70°34'52"; C/L Leedeey W.T.in azimuth 245°56'47"; C/L W.end comb roof on house in azimuth 333°15'24".

X-1,532,414.51 Y-289,074.36 El. 2286.033 ft.

9-E-31 TT 1936; Roger Mills Co., 7.0 mi.E.of Roll; 86.5 ft.E.& 33.5 ft.N.of approx.SW.cor.sec.7,T15N,R22W. OSCC Marker.C/L chimney on Breezy Meadow Schoolhouse about 4 mi.in azimuth 90°17'50"; C/L Leedeey W.T. in azimuth 246°55'07"; C/L N. apex of roof on house in azimuth 285°01'55".

X-1,529,227.74 Y-289,105.61 El. 2349.010 ft.

9-E-32 TT 1936; Roger Mills Co., 4.95 mi.E.of Roll; 263.1 ft.W. & 30.5 ft.S.of original stone marking approx.NE.cor.sec.15,T15N,R23W; 216.0 ft.SW.of frame store bldg. OSCC Marker. C/L chimney on Breezy Meadow schoolhouse about 2 mi.in azimuth 89°56'34"; C/L cor.stone common to sec's. 10, 11, 14, & 15,T15N,R23W, in azimuth 265°08'26"; C/L Strong City W.T.in azimuth 352°22'26".

X-1,518,323.14 Y-289,227.02 El. 2286.171 ft.

9-E-33 TT 1936; Roger Mills Co., 4.4 mi.E.of Roll; 462.0 ft.E. & 72.5 ft.N.of approx.S $\frac{1}{2}$ cor.sec.10,T15N,R23W. OSCC Marker. C/L apex belfry on Breezy Meadow Schoolhouse about 1.5 mi.in azimuth 88°47'12"; C/L S. end comb roof on tin top house about 1 mi.in azimuth 205°51'40"; C/L Strong City W.T.in azimuth 348°04'04".

X-1,515,091.59 Y-289,367.49 El. 2252.078 ft.

9-E-34 TT 1936; Roger Mills Co., 3.1 mi.E.of Roll; 491.0 ft. E. & 36.0 ft.S.of approx.NW.cor.sec.16,T15N,R23W; 339.0 ft.E.& 124.0 ft.N.of Breezy Meadow Schoolhouse. OSCC Marker. C/L S.comb roof on stucco house in azimuth 136°33'40"; C/L W.end comb roof on house in azimuth 301°42'

- 15"; C/L Strong City W.T. in azimuth $339^{\circ}47'05''$.
 X-1,508,582.82 Y-289,353.22 El. 2310.707 ft.
 9-E-35 TT 1936; Roger Mills Co., 2.75 mi. E. of Roll; in approx. SW. cor. SE. SE. sec. 8, T15N, R23W; 10.0 ft. E. & 2.5 ft. S. of E. gate post to farm drive in N. R/W fence of Co. road; 144.0 ft. N. & 17.5 ft. E. of H.H. Hicks farmhouse on opposite side of road. OSCC Marker. C/L N. end comb roof on house across S. side of E-W road in azimuth $14^{\circ}14'51''$; C/L S. end tin roof barn about 1 mi. in azimuth $139^{\circ}00'06''$; C/L W. end comb roof on small tenant house at Breezy Meadow Schoolhouse in azimuth $277^{\circ}47'55''$.
 X-1,506,810.50 Y-289,447.24 El. 2347.942 ft.
 9-E-36 TT 1936; Roger Mills Co., 0.95 mi. E. of Roll; 344.0 ft. W. & 28.0 ft. S. of approx. NE. cor. sec. 13, T15N, R24W. OSCC Marker. C/L N. end comb roof on small house in azimuth $74^{\circ}17'22''$; C/L N. end tin roof barn in azimuth $304^{\circ}02'25''$; C/L Strong City W.T. in azimuth $327^{\circ}24'45''$.
 X-1,497,230.99 Y-289,519.12 El. 2350.084 ft.
 9-E-37 TT 1936; Roger Mills Co., 0.55 mi. E. of Roll; 331.0 ft. E. & 32.0 ft. N. of approx. S $\frac{1}{2}$ cor. sec. 12, T15N, R24W; on top of 8 ft. clay cutbank; 32.0 ft. N. of C/L E-W Co. road. OSCC Marker. C/L N. end roof on $1\frac{1}{2}$ story house about 1 mi. in azimuth $47^{\circ}43'45''$; C/L E. apex of roof on house about 0.25 mi. in azimuth $103^{\circ}08'35''$; C/L E. end of roof on school in azimuth $133^{\circ}37'10''$.
 X-1,495,277.73 Y-289,606.04 El. 2344.095 ft.
 9-E-38 TT 1936 = 10-K-22 TT 1936; Roger Mills Co., in N. margin of Roll; 614.0 ft. N. & 53.0 ft. E. of approx. SW. cor. sec. 12, T15N, R24W; in a field 53.0 ft. E. of C/L US. Hwy. #283. OSCC Marker. C/L N. end gable on $1\frac{1}{2}$ story house about 1 mi. in azimuth $00^{\circ}18'12''$; C/L chimney on sq. house about 2.5 mi. in azimuth $78^{\circ}02'54''$; C/L E. end roof on schoolhouse about 0.75 mi. in azimuth $150^{\circ}50'26''$.
 X-1,492,339.24 Y-290,252.88 El. 2296.209 ft.
 9-E-39 TT 1936 = 10-K-21 TT 1936 = USC&GS EM X-109 1934; Roger Mills Co., 13.2 mi. NW. of P&SF RR depot at Cheyenne; in approx. NE. cor. NW. NW. sec. 11, T15N, R24W; 300.0 ft. W. of schoolhouse; 135.0 ft. S. of C/L sec. line road; 43.0 ft. E. of C/L OK. Hwy. #33 at Y jct., 42.0 ft. W. of C/L US. Hwy. #283. Std. disk set in conc. post stamped X-104 1934 & 10-K-21 1936. C/L apex sq. house about 1 mi. in azimuth $94^{\circ}18'03''$; C/L E. end roof house about 1.5 mi. in azimuth $121^{\circ}54'30''$; C/L W. end roof on schoolhouse about 0.11 mi. in azimuth $266^{\circ}50'28''$.
 X-1,489,161.58 Y-294,820.43 El. 2302.410 ft.
 9-E-40 TT 1936; Roger Mills Co., 2.1 mi. NW. of Roll; via OK. Hwy. #33; 210.5 ft. W. & 52.5 ft. N. of approx. S $\frac{1}{4}$ cor. sec. 3, T15N, R24W; 136.5 ft. N. & 20.0 ft. E. of NE. cor. $1\frac{1}{2}$ story farmhouse S. of road. OSCC Marker. C/L S. cupola on house about 1 mi. in azimuth $168^{\circ}03'18''$; C/L W. end main roof on house about 1 mi. in azimuth $236^{\circ}45'08''$; C/L N. end roof on house in azimuth $298^{\circ}55'43''$.
 X-1,484,315.94 Y-295,086.43 El. 2338.146 ft.
 9-E-41 TT 1936; Roger Mills Co., 2.93 mi. NW. of Roll; via OK. Hwy. #33; 696.5 ft. E. & 59.0 ft. S. of approx. N $\frac{1}{4}$ cor. sec. 9, T15N, R24W; 9.0 ft. S. of S. R/W fence on top of 15.0 ft. cutbank. OSCC Marker. C/L N. gable on house about 1 mi. in azimuth $30^{\circ}53'46''$; C/L chimney on house about 2.5 mi. in azimuth $113^{\circ}00'19''$; C/L N. end roof on house about 1.5 mi. in azimuth $336^{\circ}07'44''$.
 X-1,479,957.00 Y-295,051.49 El. 2361.787
 9-E-42 TT 1936; Roger Mills Co., 5.9 mi. NW. of Roll; near approx. NW. cor. SW. NW. NW. sec. 6, T15N, R24W; 54.0 ft. SW. of C/L OK. Hwy. #33; 127.5 ft. S. of & in range with E. side of Conoco Filling Sta. N. of said road; 128.0 ft. E. of C/L N-S road; 128.5 ft. SE. of angle headwall to 15" side road culvert. OSCC Marker. C/L chimney on house about 3 mi. in azimuth $76^{\circ}05'06''$; C/L S. end roof on house about 0.25 mi. in azimuth $181^{\circ}44'41''$; C/L W. end roof on house about 2 mi. in azimuth $257^{\circ}51'58''$.
 X-1,466,415.15 Y-299,363.35 El. 2411.426 ft.
 BM Roger Mills Co., in approx. NE. cor. sec. 8, T15N, R24W; chiseled sq.

on NW.cor.of E.conc.hdw.of a 2 x 2 x 24 ft.conc.side drain on S.side of hwy. El. 2322.707 ft.

BM; Roger Mills Co., In approx.SW $\frac{1}{2}$ sec.5,T15N,R24W; at intersection of OK.Hwy.#33 with W.boundary of sec.5. Chiseled sq.on N.end of E. hdw. of a 3 x 2 x 24 ft.conc.culvert side drain on S.side of road.

El. 2345.351 ft.

BM; Roger Mills Co., 0.4 mi.W.of approx.NE.cor.sec.1,T15N,R25W; chiseled sq.on E.end of conc.hdw.of a 24 in. x 36 ft.RCP culvert under OK.Hwy.#33

El. 2396.835 ft.

9-E-43 TT 1936; Roger Mills Co., 7.35 mi.NW.of Roll; via OK.Hwy. # 33; 550.0 ft.E.& 54.0 ft.N.of approx.S $\frac{1}{2}$ cor.sec.35,T16N,R25W; on top of a 10.0 ft.sandy cutbank; 105.0 ft.N.& 326.5 ft.W.of NW.cor.of farm yard fence S.of road. OSCC Marker. C/L E.end roof on 1 $\frac{1}{2}$ story house about 2 mi.in azimuth 47°52'48"; C/L S.end roof on house about 1 mi.in azimuth 157°56'10"; C/L S.end roof on house on hill about 0.5 mi.in azimuth 243°32'18".

X-1,458,937.67

Y-300,830.47

El. 2388.113 ft.

BM; Roger Mills Co., in approx.NW.cor.sec.2,T15N,R25W; chiseled sq. on E.end of E. "L" shaped hdw.of a 2 x 30 ft.RCP culvert on S.side of OK.Hwy.#33.

El. 2298.381 ft.

9-E-44 TT 1936; Roger Mills Co., 8.65 mi.NW.of Roll; via OK.Hwy. # 33; 940.5 ft.W.& 54.5 ft.S.of approx.N $\frac{1}{4}$ cor.sec.3,T15N,R25W; 54.5 ft.S. of C/L said road; 4.5 ft.S.of S.R/W fence & just N.of several scattered locust motts. OSCC Marker. C/L E.gable on house about 0.25 mi.in azimuth 118°49'54"; C/L S.end roof on house about 1 mi.in azimuth 205°34'07"; C/L chimney on filling sta.about 2 mi.in azimuth 275°44'21".

X-1,452,134.56

Y-300,933.05

El. 2396.405 ft.

BM; Roger Mills Co., in approx.SW.cor.sec.34,T16N,R25W; chiseled sq.on E.end of N.conc.hdw.of 7 x 3 x 30 ft.conc.culvert under OK.Hwy.# 33.

El. 2361.903 ft.

BM; Roger Mills Co., 0.4 mi.W.of approx.SE.cor.sec.33,T16N,R25W; chiseled sq.on W.end of N.conc.hdw.of a 7 x 3 x 30 ft.conc.culvert under OK.Hwy.#33.

El. 2341.033 ft.

9-E-45 TT 1936; Roger Mills Co., 9.85 mi.NW.of Roll; via OK.Hwy.# 33; 948.0 ft.E.& 48.0 ft.N.of approx.SW.cor.sec.33,T16N,R25W; 43.0 ft.N. of C/L said road; top of 5 ft.sandy cutbank; 528.0 ft.E.of range of E. side unpainted farmhouse N.of road. OSCC Marker. C/L chimney on school house about 2 mi.in azimuth 06°27'29"; C/L E.end roof on house about 3 mi.in azimuth 105°22'59"; C/L S.end roof on house in azimuth 231°20'04".

X-1,445,989.98

Y-301,212.28

El. 2400.388 ft.

9-E-46 TT 1936; Roger Mills Co., 11.17 mi.NW.of Roll; via OK.Hwy.# 33; 823.0 ft.W.& 56.0 ft.S.of approx.NE.cor.sec.6,T15N,R25W; 56.0 ft.S. of C/L said road; 161.0 ft.S.of & in range with W.side small farmhouse N.of road; 277.0 ft.E.of E.side of farmhouse S.of road. OSCC Marker. C/L E.porch gable on house about 2 mi.in azimuth 129°22'22"; C/L W.end roof on schoolhouse about 2 mi.in azimuth 322°36'25".

X-1,439,008.33

Y-301,323.99

El. 2387.869 ft.

BM; Roger Mills Co., 0.5 mi.W.of approx.SE.cor.sec.32,T16N,R25W; chiseled sq.on N.conc.curb of a 90.0 ft.steel bridge, set on creosoted piling .

El. 2311.581 ft.

BM; Roger Mills Co., 0.25 mi.E.of approx.NW.cor.sec.6,T16N,R25W; chiseled sq.on W.end of S.conc.curb of an 180.0 ft.steel conc.bridge on creosoted piling on OK.Hwy.#33.

El. 2291.103 ft.

BM; Roger Mills Co., in approx.SE.cor.sec.36,T16N,R26W; chiseled sq.on W.end of W. "L" shaped conc.hdw.of an 18 in. x 24 ft.RCP culvert on N.side of OK.Hwy.#33.

El. 2325.653 ft.

BM; Roger Mills Co., Approx. 300.0 ft.W.of approx.SE.cor.sec.35, T16N,R26W; chiseled sq.on W.end of N.conc.hdw.of a 5 x 2 x 36 ft. conc. culvert under OK.Hwy.#33.

El. 2409.754 ft.

9-E-47 TT 1936; Roger Mills Co., 14.1 mi.NW.of Roll; via OK.Hwy.# 33; 2.0 mi.S.& 1.0 mi.W.of Durham; 55.0 ft.N.& 28.0 ft.E.of approx. SW.

cor.sec.35,T16N,R26W; on top of 4.0 ft.sandy cutbank; 4.5 ft. E.& 1.0 ft. N.of NE R/W fence cor.post. OSCC Marker. C/L E.end of roof on house about 1.5 mi. in azimuth $113^{\circ}36'33''$; C/L S.end of roof on S.wing of house about 1.5 mi.in azimuth $172^{\circ}01'03''$; C/L W.end roof on house about 1.5 mi. in azimuth $311^{\circ}32'56''$.

X-1,423,948.48 Y-301,766.66 El. 2466.530 ft.

BM; Roger Mills Co., in approx.SW.cor.sec.34,T16N,R26W; chiseled sq.on S.end of E.hdw.of a 4 x 4 x 30 ft.side conc.drain on N. side of OK.Hwy.#33. El. 2400.364 ft.

9-E-48 TT 1936; Roger Mills Co., 16.1 mi.NW.of Roll; via OK.Hwy. #33; 2.0 mi.S.& 3.0 mi.W.of Durham; 56.0 ft.S.& 34.0 ft.W.of approx. NE. cor.sec.5,T15N,R26W; in NE.cor.of field. OSCC Marker. C/L N.end roof on barn about 1 mi.in azimuth $03^{\circ}11'32''$; C/L E.end roof on barn about 0.5 mi.in azimuth $77^{\circ}23'37''$; C/L N.end roof on house in azimuth $332^{\circ}01'24''$. X-1,413,307.22 Y-301,870.20 El. 2485.174 ft.

9-E-49 TT 1936; Roger Mills Co., 17.15 mi.NW.of Roll; via OK.Hwy. #33; 2.0 mi.S.& 4.0 mi.W.of Durham; 173.0 ft.W.& 47.0 ft.N.of approx. SE. cor.sec.31,T16N,R26W; 847.0 ft.E.& 74.0 ft.N.of Supreme Court of United States-100th Meridian Marker #86. OSCC Marker. U.S.Supreme Court MP.#86 in azimuth $85^{\circ}53'03''$; C/L W.end of roof on barn in azimuth $280^{\circ}05'56''$; C/L chimney on tin roof house about 3 mi.in azimuth $351^{\circ}11'36''$.

X-1,407,878.34 Y-302,067.12 El. 2443.477 ft.

Washita Tri.Sta.(Roger Mills Co., W.Mussetter, 1927) About 4.0 mi. W.& 1.5 mi.S.of Durham; approx. 2000.0 ft.E.of old State Line; 0.5 mi.N. of OK.Hwy.#33 on highest point of pasture land; about 100.0 m. (328.0 ft.) W.of sec.line road & 70.0 m. (230.0 ft.) N.of fence between pasture & cultivated field to S. To reach from Durham, follow hwy.#33 W. & S. to first sec.line road E.of old State line; follow this road 0.5 mi. N. & sta.will be at left. Sta. marks are std.disk sta.marks in conc.

X-1,407,744.34 Y-305,009.94 El. 2488.568 ft.

Reference marks are std.reference disks in conc.

R.M.#1 is 123.59 m. (405.5 ft.) from sta.in azimuth $300^{\circ}44'57''$.

R.M.#2 is 128.40 m. (421.3 ft.) in azimuth $65^{\circ}00'26''$. El. 2477.264 ft.

Traverse 9-F; Roger Mills & Custer Co's.

Provines Tri. Sta. to Eiseman Tri.Sta.

North Projection

Provines Tri.Sta.(Roger Mills Co., W.Mussetter, 1927)-About 4.0 mi. N. & 1.5 mi. W. of Rankin, in sec. 22, T14N,R26W; on land owned by R. C. Provines; about 100.0 ft. W.of orchard owned by J.W.Provines; about 130.0 ft.S.of road & 30.0 ft.SW.of old shack. Reached from Rankin by going N. 4.0 mi.on road to Durham then W.on sec.line road about 1.5 mi.to sta., Station marks are std.disk sta.marks in conc., underground mark being 3.0 ft.below surface.

X-1,420,220.33 Y-254,196.01

Reference marks are std.reference disks in conc.

R.M.#1 is 59.35 m.(194.7 ft.)in azimuth $215^{\circ}45'00''$.

R.M.#2 is 94.25 m.(309.2 ft.)in azimuth $51^{\circ}13'00''$.

9-F-1 TT 1936; Roger Mills Co., 2.15 mi.N.& 0.3 mi.W.of Reydon; 829.0 ft.N.& 30.0 ft.E.of approx.SW.cor.sec.13,T14N,R26W; 30.0 ft.E. of C/L Reydon-Durham Road & about 100.0 yds. SE.of group of farm bldgs. W. of road. OSCC Marker. C/L chimney on 2 story house about 5 mi.in azimuth $21^{\circ}13'41''$; C/L apex S.wing of roof about 1.5 mi.in azimuth $182^{\circ}41'49''$; C/L N.end of roof on small house about 0.75 mi.in azimuth $348^{\circ}13'04''$.

X-1,428,309.04 Y-254,980.51 El. 2485.454 ft.

9-F-2 TT 1936; Roger Mills Co., 0.3 mi.W.of Reydon; 386.0 ft. N.& 48.0 ft.W.of approx.SE.cor.sec.26,T14N,R26W; 48.0 ft.W.of C/L Reydon-Durham Road; 117.0 ft.N.of small house; 11.0 ft.S.& 58.5 ft.E.of SE.cor. of house. OSCC Marker. C/L chimney on 2 story house about 3 mi.in azimuth

- 37°05'07"; C/L W.end roof on house about 0.5 mi.in azimuth 211°12'35";
C/L steeple on church in SE.part of Reydon in azimuth 288°32'37".
X-1,427,938.03 Y-243,998.90 El. 2352.636 ft.
9-F-3 TT 1936; Roger Mills Co., 0.7 mi.E.& 1.0 mi.S.of Reydon; 32.0
ft.N.& 471.0 ft.W.of approx.SE.cor.sec.36,T14N,R26W; 800.0 ft.NE. of a
group of farm bldgs. & 32.0 ft.N.of C/L of road. OSCC Marker. C/L E.
cupola on 2 story house about 1.5 mi.in azimuth 38°18'26"; C/L steeple
on SE.Reydon Church in azimuth 154°16'26"; C/L N.end roof on house about
0.5 mi.in azimuth 336°11'39".
X-1,432,616.47 Y-238,266.39 El. 2362.347 ft.
9-F-4 TT 1936; Roger Mills Co., 1.0 mi.S.& 1.1 mi.E.of Reydon; 435.0
ft.W.& 25.0 ft.S.of approx. N $\frac{1}{2}$ cor. sec.6,T13N,R25W; 25.0 ft.S.of C/L
E-W road on top of sandy hill. OSCC Marker. C/L Reydon Church steeple in
azimuth 135°15'46"; C/L S.end roof on large barn about 3 mi.in azimuth
188°10'21"; C/L N.end roof on house about 2.5 mi.in azimuth 300°59'54".
X-1,435,259.23 Y-238,150.60 El. 2385.733 ft.
9-F-5 TT 1936; Roger Mills Co., 1.0 mi.S.& 2.9 mi.E.of Reydon; 37.0
ft.N.& 936.0 ft.E.of approx.SW.cor.sec.33,T14N,R25W; 37.0 ft.N.of C/L
E-W trail. OSCC Marker. C/L S.end roof on house about 5 mi.in azimuth
149°26'45"; C/L S.end roof on house about 1 mi.in azimuth 226°45'40";
C/L W.end roof on house about 1 mi.in azimuth 274°41'50".
X-1,444,581.05 Y-238,017.23 El. 2358.095 ft.
9-F-6 TT 1936; Roger Mills Co., 2.0 mi.S.& 2.8 mi.E.of Reydon;
1166.0 ft.E.& 41.0 ft.N.of approx.SW.cor.sec.4,T13N,R25W; 61.0 ft.N. &
85.0 ft.E.of NE.cor.of farmhouse S.of road. OSCC Marker. C/L S.end gable
on house about 6 mi.in azimuth 155°54'47"; C/L S.end roof on house about
2 mi.in azimuth 233°54'35"; C/L W.gable on school about 4 mi.in azimuth
309°22'30".
X-1,444,576.45 Y-232,778.25 El. 2418.914 ft.
9-F-7 TT 1936; Roger Mills Co., 2.0 mi.S.& 4.2 mi.E.of Reydon; 9.4
mi.NW.of Cheyenne via Cheyenne-Rankin road; 114.0 ft.N.& 481.0 ft.E. of
approx. S $\frac{1}{2}$ cor.sec.3,T13N,R25W; 250.0 ft.N.of C/L of road on top of knoll
in pasture. OSCC Marker. C/L S.end roof on small house about 1 mi. in
azimuth 94°51'57"; C/L W.end house about 1 mi.in azimuth 214°09'49";
C/L N.end roof on large barn about 4 mi.in azimuth 324°13'17".
X-1,451,960.95 Y-232,729.47 El. 2267.472 ft.
9-F-8 TT 1936; Roger Mills Co., 2.2 mi.S.& 5.2 mi.E.of Reydon; 8.4
mi.NW.of Cheyenne via Cheyenne-Rankin road; near approx.NE.cor.SE.NW.sec.
11, T13N,R25W; 110.0 ft.N.& approx. 40.0 ft.above said road on top of
prominent small redrock knoll in pasture. OSCC Marker. C/L S.end roof on
house in azimuth 106°59'07"; C/L chimney on house about 2 mi.in azimuth
274°04'15"; C/L chimney on house about 4 mi.in azimuth 339°30'37".
X-1,456,319.06 Y-230,677.66 El. 2180.871 ft.
9-F-9 TT 1936; Roger Mills Co., 2.4 mi.S.& 5.7 mi.E.of Reydon; 7.6
mi.NW.of Cheyenne via Cheyenne-Rankin road; 382.0 ft.W.& 12.0 ft. N. of
approx. E $\frac{1}{2}$ cor.sec.11,T13N,R25W; 42.0 ft.S.of C/L of road on top of 6.0
ft.cutbank in N.edge of pasture; 479.0 ft.W.of T-road to N. OSCC Marker.
C/L chimney on house about 4 mi.in azimuth 04°59'56"; C/L N.end of roof
on small house in azimuth 98°40'14".
X-1,458,858.26 Y-230,406.37 El. 2159.035 ft.
9-F-10 TT 1936; Roger Mills Co., 7.1 mi.NW.of Cheyenne via Cheyenne-
Rankin road; near approx.NW.cor.SE.NW.sec.12,T13N,R25W; 30.0 ft.S. of C/L
of road & 1031.0 ft.W.of N-S $\frac{1}{2}$ sec.fence on top of 4.0 ft.redrock cutbank
OSCC Marker. C/L chimney on house about 1.5 mi.in azimuth 275°57'18".
X-1,460,842.55 Y-230,784.42 El. 2152.196 ft.
9-F-11 TT 1936; Roger Mills Co., 6.4 mi.NW.of Cheyenne; via Chey-
enne-Rankin road; near approx.NE.cor.SW.SE.sec.12,T12N,R25W; in range of
field fence cor.S.of road; 579.0 ft.W.of N-S fence. OSCC Marker. C/L W.
end roof on house about 1 mi.in azimuth 279°56'52"; C/L N.end roof on
house in azimuth 330°44'32".
X-1,462,626.47 Y-231,043.89 El. 2113.226 ft.

- 9-F-12 TT 1936; Roger Mills Co., 5.7 mi.W. & 0.75 mi.N. of Cheyenne via Cheyenne-Rankin road; in approx. NW.cor.SE.NW.sec.7, T13N, R24W; 33.0 ft.S. of C/L of road; 3.5 ft.E. of cross fence to S., 13.0 ft.S. of E-W 40 acre fence; 16.0 ft.W. of C/L farm drive of John Bowman home. OSCC Marker. C/L E.gable on school about 3 mi. in azimuth $114^{\circ}01'09''$; C/L S. end comb roof on T-shaped bungalow about 1 mi. in azimuth $146^{\circ}41'14''$.
X-1, 468, 939.65 Y-230, 860.58 El. 2088.838 ft.
- 9-F-13 TT 1936; Roger Mills Co., 5.6 mi.W. of Cheyenne via Cheyenne-Rankin road; on approx. line between sec's. 8 & 17, T13N, R24W; 393.0 ft. W. of approx. $\frac{1}{2}$ cor. on top of minor red shale cone on E. brow of ravine. 207.0 ft. SW. of Cheyenne-Rankin Road curve. OSCC Marker. C/L W.gable on N. side of house about 3 mi. in azimuth $62^{\circ}07'25''$; C/L E.gable on school about 4 mi. in azimuth $123^{\circ}13'05''$.
X-1, 471, 901.80 Y-226, 868.36 El. 2197.686 ft.
- 9-F-14 TT 1936; Roger Mills Co., 5.4 mi.W. of Cheyenne; 598.0 ft. E. & 48.5 ft. S. of approx. $N\frac{1}{2}$ cor. sec. 17, T13N, R24W; 48.0 ft. S. of C/L Cheyenne-Rankin Road; OSCC Marker. C/L NW.gable on house about 3 mi. in azimuth $64^{\circ}44'10''$; C/L E.gable on schoolhouse about 4 mi. in azimuth $121^{\circ}30'28''$; C/L Cheyenne W.T. in azimuth $277^{\circ}02'58''$.
X-1, 472, 887.23 Y-226, 799.03 El. 2219.762 ft.
- 9-F-15 TT 1936; Roger Mills Co., 4.3 mi.W. of Cheyenne; 1165.0 ft. E. & 40.0 ft. N. of approx. $S\frac{1}{2}$ cor. sec. 9, T13N, R24W; 40.0 ft. N. of C/L Cheyenne-Rankin road on top of gypsum ridge. OSCC Marker. C/L N. end roof on small house about 1 mi. in azimuth $43^{\circ}54'38''$; C/L S. end roof on small house about 5 mi. in azimuth $216^{\circ}51'38''$; C/L W. end W. wing roof on house about 0.25 mi. in azimuth $284^{\circ}22'35''$.
X-1, 478, 770.32 Y-226, 778.68 El. 2082.449 ft.
- 9-F-16 TT 1936; Roger Mills Co., 2.7 mi.W. of Cheyenne; 1354.0 ft. W. & 38.0 ft. S. of approx. $N\frac{1}{2}$ cor. sec. 14, T13N, R24W; 30.0 ft. S. of the C/L Cheyenne-Rankin road; 577.0 ft. E. of cross fence N. OSCC Marker. C/L N. end roof on small house in azimuth $72^{\circ}25'58''$; C/L S. end small house in azimuth $136^{\circ}34'48''$; C/L Cheyenne W.T. in azimuth $282^{\circ}39'43''$.
X-1, 487, 442.74 Y-226, 585.30 El. 2103.816 ft.
- 9-F-17 TT 1936; Roger Mills Co., 0.75 mi.W. of Cheyenne; in approx. SW.cor.SE.SW.sec.7, T13N, R24W; 34.0 ft. N. of C/L sec. line road; 263.0 ft. E. of jct. of Cheyenne-Rankin road with sec. line road; at SW. margin of a sandpit; 71.0 ft. N. & 45.0 ft. W. of gate post at farm drive on S. side of sec. line road. OSCC Marker. C/L E. dormer on $1\frac{1}{2}$ story house about 1 mi. in azimuth $93^{\circ}40'05''$; C/L keystone in W. entrance arch of Cheyenne High School in azimuth $263^{\circ}35'08''$; C/L apex Cheyenne W. standpipe in azimuth $301^{\circ}06'28''$.
X-1, 497, 588.33 Y-226, 409.28 El. 2003.458 ft.
- 9-F-18 TT 1936 = 10-K-37 TT 1936. See Traverse 10-K.
9-F-19 TT 1936 = 10-K-36 TT 1936. See Traverse 10-K.
9-F-20 TT 1936 = 10-K-35 TT 1936. See Traverse 10-K.
9-F-21 TT 1936 = 10-K-34 TT 1936. See Traverse 10-K.
- 9-F-22 TT 1936; Roger Mills Co., 2.8 mi.N. & 2.0 mi.E. of Cheyenne via US.Hwy.#283 & Co.road; 35.0 ft. N. of approx. $S\frac{1}{2}$ cor. sec. 27, T14N, R23W; in range of $\frac{1}{2}$ sec. fence S. OSCC Marker. C/L apex E. Cheyenne W.T. in azimuth $32^{\circ}07'22''$; C/L E. cupola on $1\frac{1}{2}$ story house about 1 mi. in azimuth $130^{\circ}15'24''$; C/L W. end roof on house about 0.19 mi. in azimuth $265^{\circ}52'32''$.
X-1, 514, 985.08 Y-241, 892.95 El. 1980.953 ft.
- 9-F-23 TT 1936; Roger Mills Co., 2.8 mi.N. & 2.5 mi.E. of Cheyenne; 1.25 mi.W. & 1.3 mi.S. of Strong City via US.Hwy.#283 & Co.road; 72.0 ft. S. & 23.0 ft. E. of approx. NW.cor. sec. 35, T14N, R23W; 2.5 ft. W. of N-S fence. OSCC Marker. C/L E. cupola on $1\frac{1}{2}$ story house about 1.5 mi. in azimuth $120^{\circ}03'39''$; C/L ball on Strong City W.T. in azimuth $226^{\circ}00'07''$; C/L chimney on house about 3 mi. in azimuth $274^{\circ}01'39''$.
X-1, 517, 548.65 Y-241, 757.24 El. 2006.513 ft.
- 9-F-24 TT 1936; Roger Mills Co., 2.8 mi.N. & 2.9 mi.E. of Cheyenne; 1.3 mi.S. & 0.85 mi.W. of Strong City; 26.0 ft. N. & 422.0 ft. W. of approx.

- S $\frac{1}{2}$ cor.sec.26,T14N,R23W; 89.0 ft.N.of C/L E-W Co.sec.line road on top of prominent knoll. OSCC Marker. C/L ball on Strong City W.T.in azimuth 114°09'24"; C/L E.end of roof on house about 0.75 mi.in azimuth 126°45'26"; C/L N.chimney on bungalow about 4 mi.in azimuth 317°24'26".
 X-1,519,769.85 Y-241,820.82 El. 1961.264 ft.
 9-F-25 TT 1936; Roger Mills Co., 2.8 mi.N.& 5.25 mi.E.of Cheyenne; 1.3 mi.S.& 1.5 mi.E.of Strong City; 1322.0 ft.W.& 64.0 ft.S.of approx. NE.cor.sec.31,T14N,R22W; 5.4 ft.W.of cross fence S. OSCC Marker. C/L E. end comb roof on house about 3 mi.in azimuth 96°28'43"; C/L W.end bungalow about 0.5 mi.in azimuth 303°01'36".
 X-1,532,047.54 Y-241,639.19 El. 1941.474 ft.
 9-F-26 TT 1936; Roger Mills Co., 1.3 mi.S.& 2.4 mi.E.of Strong City; 433.0 ft.W.of 40 acre fence & near center S.line SW.SE.sec.24,T14N,R22W; 83.0 ft.S.of C/L road on top of prominent knoll in E-W sec.line. OSCC Marker. C/L Strong City W.T.about 1.75 mi.in azimuth 115°42'35"; C/L chimney on farmhouse about 3 mi.in azimuth 194°49'20"; C/L N.apex on farmhouse about 0.5 mi.in azimuth 328°43'25".
 X-1,536,869.25 Y-241,596.28 El. 1989.899 ft.
 9-F-27 TT 1936; Roger Mills Co., 1.4 mi.S.& 3.8 mi.E.of Strong City; 735.0 ft.S.& 69.0 ft.W.of approx.NE.cor.sec.33,T14N,R22W; on highest point in large pasture. (To reach from Strong City, go E. 2.8 mi. via OK.Hwy.#33 for 1.6 mi.S. via N-S sec.line road, then turn in at farmhouse E.of road; go 1.0 mi.E.through pasture to highest point on hill.) OSCC Marker, with rock ring. C/L N.apex farmhouse about 0.75 mi.in azimuth 71°43'10"; C/L Strong City W.T.about 3 mi.in azimuth 109°30'40"; C/L S.apex farmhouse about 1 mi.in azimuth 182°38'20".
 X-1,543,757.16 Y-240,806.70 El. 2095.812 ft.
 9-F-28 TT 1936; Roger Mills Co., 1.6 mi.S.& 4.5 mi.E.of Strong City; near center NE $\frac{1}{4}$ sec.34,T14N,R22W; in rocky pasture; at SE.end of rocky ridge which is S. & W.side of two ravines; about 0.75 mi.SE.of 9-F-27, by dim trail. OSCC Marker, with rock ring. C/L chimney on farmhouse about 3 mi.in azimuth 218°39'11"; C/L W.apex farmhouse about 3 mi.in azimuth 276°21'11".
 X-1,547,209.08 Y-239,740.92 El. 2095.812 ft.
 9-F-29 TT 1936; Roger Mills Co., 5.9 mi.E.& 1.3 mi.S.of Strong City; 1.6 mi.N.& 6.5 mi.W.of Hammon; 1528.0 ft.E.& 41.0 ft.N.of approx. SW.cor. sec.25,T14N,R22W; 41.0 ft.N.of C/L E-W trail; 1.7 mi.W.of 9 Mile School. OSCC Marker. C/L E.apex farmhouse about 0.5 mi.in azimuth 117°18'09"; C/L chimney on sq.top farmhouse about 3 mi.in azimuth 224°28'09"; C/L peak Hammon W.T.about 6 mi.in azimuth 284°00'39".
 X-1,555,933.77 Y-241,271.23 El. 1892.589 ft.
 9-F-30 TT 1936; Roger Mills Co., 1.6 mi.N.& 4.6 mi.W.of Hammon; 0.2 mi.E.of 9 Mile School; 1347.0 ft.E.& 34.0 ft.S.of approx.NW.cor.sec.32, T14N,R21W; 4.8 ft.E.of cross fence to S. OSCC Marker. C/L S.end roof on small house about 1.5 mi.in azimuth 116°25'50"; C/L chimney on sq. house about 2 mi.in azimuth 179°41'38"; C/L Hammon W.T.in azimuth 289°01'50".
 X-1,566,072.75 Y-241,047.24 El. 1878.843 ft.
 9-F-31 TT 1936; Roger Mills Co., 1.6 mi.N.& 4.0 mi.W. of Hammon; 37.0 ft.N.& 820.0 ft.E.of approx.SW.cor.sec.28,T14N,R21W; 37.0 ft.N. of C/L E-W sec.line road in edge of field. OSCC Marker. C/L S.apex farmhouse about 1 mi.in azimuth 150°13'07"; C/L W.apex 1 $\frac{1}{2}$ story house about 2 mi. in azimuth 252°29'42"; C/L peak Hammon W.T.about 5 mi.in azimuth 291°24'52".
 X-1,569,128.35 Y-241,058.47 El. 1859.154 ft.
 9-F-32 TT 1936; Roger Mills Co., 3.6 mi.NW.of Hammon; near center NW.SW.sec.28,T14N,R21W; 113.0 ft.SW.of C/L OK.Hwy.#33 on extreme NE. end of prominent gypsum hill SW.of road; 625.0 ft.E.of C/L N-S sec.line trail & 212.0 ft.SE.of 32 x 34 x 8 ft.conc.culvert under State road. OSCC Marker. C/L S.apex on farmhouse about 0.75 mi.in azimuth 171°18'09"; C/L peak Hammon W.T.about 3 mi.in azimuth 296°55'04".
 X-1,570,640.69 Y-242,660.16 El. 1800.810 ft.

- 9-F-33 TT 1936; Roger Mills Co., 2.7 mi.NW.of Hammon; 1048.0 ft.N. & 1038.0 ft.E.of approx.W $\frac{1}{2}$ cor.sec.34,T14N,R21W; 42.0 ft.NE.of C/L OK. Hwy.#33 on top of 4 ft.clay cutbank. OSCC Marker. C/L chimney on farm house about 1 mi.in azimuth 171°39'52"; C/L W.apex farmhouse about 1 mi. in azimuth 243°15'47"; C/L chimney on sq.top farmhouse about 0.75 mi.in azimuth 330°42'57".
X-1,576,210.13 Y-239,230.75 El. 1760.041 ft.
- 9-F-34 TT 1936; Roger Mills Co., 0.4 mi.N.& 1.6 mi.W.of Hammon; approx. 0.15 mi.S.of C/L OK.Hwy.#33 along N-S sec.line trail; 42.0 ft.S. & 35.0 ft.W.of approx.NE.cor.sec.3,T13N,R21W; 12.0 ft.S.& 4.7 ft.W. of fence cor.in edge of field. OSCC Marker. C/L N.apex farmhouse about 1 mi.in azimuth 55°47'27"; C/L S.apex farmhouse about 3 mi.in azimuth 176° 27'42"; C/L peak Hammon W.T.about 2 mi.in azimuth 286°04'07".
X-1,580,398.78 Y-235,544.16 El. 1817.375 ft.
- 9-F-35 TT 1936; Roger Mills Co., 0.4 mi.N.& 0.6 mi.W.of Hammon; near approx.SW.cor.sec.36,T14N,R21W; in NE.R/W fence cor.in edge of pas- ture. OSCC Marker. C/L chimney on farmhouse about 5 mi.in azimuth 157° 13'48"; C/L S.apex on 2 story farmhouse about 1 mi.in azimuth 226°16'33"; C/L peak Hammon W.T.about 1 mi.in azimuth 302°22'03".
X-1,585,736.47 Y-235,565.93 El. 1803.544 ft.
- 10-J-33 TT 1936; Junction Station. See Traverse 10-J.
- 9-F-36 TT 1936; Custer Co., 0.4 mi.N.& 2.4 mi.E.of Hammon via OK. Hwy.#33; 635.0 ft.N.& 34.0 ft.W.of approx.SE.cor.sec.32,T14N,R20W; 13.0 ft.N.& 3.0 ft.W.of NW,R/W fence cor.in E.edge of field. OSCC Marker. C/L Hammon W.T.about 2.5 mi.in azimuth 76°58'37"; C/L chimney on farmhouse about 4 mi.in azimuth 170°05'07"; C/L W.apex farmhouse about 2 mi. in azimuth 239°26'44".
X-1,601,451.67 Y-235,304.75 El. 1825.178 ft.
- 9-F-37 TT 1936; Custer Co., 0.4 mi.N.& 2.9 mi.E.of Hammon; via OK. Hwy.#33; 63.0 ft.S.& 3.0 ft.W.of approx.N $\frac{1}{2}$ cor.sec.4,T13N,R20W; 10.2 ft. S.& 3.0 ft.W.of S,R/W & cross fence cor.in edge of field. OSCC Marker. C/L W.apex farmhouse about 3 mi.in azimuth 233°24'36"; C/L Butler W.T. about 9 mi.in azimuth 271°06'26"; C/L W.apex farmhouse about 3 mi. in azimuth 346°25'06".
X-1,604,118.41 Y-235,142.27 El. 1821.941 ft.
- 9-F-38 TT 1936; Custer Co., 0.4 mi.N.& 5.05 mi.E.of Hammon; 919.0 ft.E.& 16.0 ft.N.of approx.S $\frac{1}{4}$ cor.sec.35,T14N,R20W. OSCC Marker set in E.end N.conc.culvert hdw. C/L chimney on farmhouse about 0.75 mi.in azi- muth 41°44'23"; C/L N.apex farmhouse about 2 mi.in azimuth 80°43'33".
X-1,615,595.29 Y-235,049.72 El. 1668.501 ft.
- 9-F-39 TT 1936; Custer Co., 0.4 mi.N.& 6.3 mi.E.of Hammon; via OK. Hwy.#33; 5.0 mi.W.of Butler; 488.0 ft.W.of approx.SE.cor.sec.36,T14N, R20W; approx. 700.0 ft.NE.of Washita River Bridge; 385.0 ft.N.& in range of E.side Wilson & Phillips Filling Sta., just E.of bridge in abandoned E-W sec.line trail; 37.3 ft.S.of power pole line. OSCC Marker. C/L S. apex large 2 story house about 1 mi.in azimuth 177°48'09"; C/L S.apex on farmhouse about 1 mi.in azimuth 246°13'10".
X-1,622,078.33 Y-234,959.34 El. 1663.823 ft.
- 9-F-40 TT 1936; Custer Co., 0.4 mi.N.& 8.1 mi.E.of Hammon; 3.2 mi. W.of Butler; via OK.Hwy.#33; 674.0 ft.E.& 32.0 ft.S.of approx.N $\frac{1}{2}$ cor.sec. 5,T13N,R19W; 281.0 ft.W.of cross fence N. OSCC Marker. C/L chimney on sq. top house about 2 mi.in azimuth 57°50'29"; C/L E.apex farmhouse about 2.5 mi.in azimuth 132°47'29"; C/L Butler W.T.about 3.5 mi.in azimuth 271°41'29".
X-1,631,083.53 Y-234,795.39 El. 1770.375 ft.
- 9-F-41 TT 1936; Custer Co., 2.3 mi.W.of Butler; via OK.Hwy.#33; 37.0 ft.N.of E-W sec.line road N.of said Hwy. near center S.line sec.33,T14N, R19W; 1.0 ft.S.of power pole line, in range of cross fence S., 92.0 ft. W.of range of W.side of farmhouse S.of road. OSCC Marker. C/L S.apex on farmhouse about 1.5 mi.in azimuth 148°51'46"; C/L Butler W.T.about 3 mi. in azimuth 272°21'16"; C/L W.apex farmhouse about 1 mi.in azimuth 351°

41'06".

X-1,635,695.81 Y-234,797.36 El. 1771.201 ft.

9-F-42 TT 1936; Custer Co., 1.5 mi.W.of Butler via E-W sec. line just N.of OK.Hwy.#33; 39.0 ft.S.of C/L of Hwy.near center N.line NE.sec. 3,T13N,R19W; 1231.5 ft.W.of near rail main track C.O.W. RR just S. of crossing; 70.0 ft.S.of power pole line in edge of field. OSCC Marker. C/L chimney on farmhouse about 1 mi.in azimuth 14°39'34"; C/L chimney on farmhouse about 2 mi.in azimuth 244°04'14"; C/L Butler W.T.about 1 mi.in azimuth 273°33'04".

X-1,642,150.77 Y-234,649.31 El. 1819.526 ft.

9-F-43 TT 1936; Custer Co., 0.55 mi.E.of Butler; near approx. SW. cor.SE $\frac{1}{2}$ sec.36,T14N,R19W; 47.0 ft.N.of C/L OK.Hwy.#33; 3.0 ft.S. & 3.0 ft.E.of N.R/W & cross fence cor.at E.side of private cattle lane N. OSCC Marker. C/L Butler W.T.about 0.5 mi.in azimuth 83°14'29"; C/L S. apex farmhouse about 1 mi.in azimuth 161°14'09"; C/L N.apex farmhouse about 1.5 mi.in azimuth 310°53'39".

X-1,650,393.17 Y-234,626.73 El. 1807.539 ft.

9-F-44 TT 1936; Custer Co., 2.4 mi.E.of Butler; via OK.Hwy.#33; 660.0 ft.E.& 49.0 ft.S.of approx.NE.cor.sec.5,T13N,R18W; in range of & 177.0 ft.S.of E.side of 1 $\frac{1}{2}$ story farmhouse N.of said road. OSCC Marker. C/L E.apex farmhouse about 0.25 mi.in azimuth 36°05'27"; C/L chimney on sq.top farmhouse about 3 mi.in azimuth 211°38'57"; C/L chimney on 2 story farmhouse about 7 mi.in azimuth 256°26'07".

X-1,660,128.72 Y-234,416.07 El. 1754.745 ft.

9-F-45 TT 1936; Custer Co., 3.75 mi.E.of Butler; via OK.Hwy.#33; 55.0 ft.N.& 5.0 ft.W.of approx.S $\frac{1}{2}$ cor.sec.33,T14N,R18W; 60.4 ft.E.& 33.4 ft.S.of SE.cor.farmhouse N.of road. OSCC Marker. C/L chimney on sq. top farmhouse about 5 mi.in azimuth 234°55'43"; C/L peak sq.top farmhouse about 5 mi.in azimuth 300°44'28".

X-1,667,335.84 Y-234,437.27 El. 1738.828 ft.

9-F-46 TT 1936; Custer Co., 4.65 mi.E.of Butler, via OK.Hwy.#33; 431.0 ft.W.& 53.0 ft.S.of approx. N $\frac{1}{2}$ cor.sec.3,T13N,R18W. OSCC Marker. C/L peak Butler W.T.about 5 mi.in azimuth 90°04'33"; C/L dormer on 2 story farmhouse about 3 mi.in azimuth 172°32'33"; C/L chimney on sq.top farmhouse about 5 mi.in azimuth 304°14'43".

X-1,672,212.39 Y-234,272.56 El. 1721.186 ft.

9-F-47 TT 1936; Custer Co., 6.1 mi.E.of Butler; 4.0 mi.N.& 6.7 mi. W.of Arapaho; via OK.Hwy.#14 & #33; near approx.SE.cor.sec.35,T14N,R18W; N.of C/L on top of 12 ft.cutbank in edge of pasture between E-W Bermitz Creeks. OSCC Marker. C/L chimney on farmhouse about 1 mi.in azimuth 04° 53'48"; C/L S.apex farmhouse about 1.5 mi.in azimuth 111°37'13"; C/L S. apex farmhouse about 1.5 mi.in azimuth 262°18'03".

X-1,680,288.46 Y-234,292.58 El. 1624.607 ft.

9-F-48 TT 1936; Custer Co., 7.8 mi.E.of Butler; 4.0 mi.N.& 4.9 mi. W.of Arapaho via OK.Hwy.#14 & #33; near approx.N $\frac{1}{2}$ cor.sec.6,T13N,R17W; 53.0 ft.S.of its C/L in W.edge of pasture. OSCC Marker. C/L peak Butler W.T.about 7 mi.in azimuth 90°21'57"; C/L peak of dormer 2 story house about 2.5 mi.in azimuth 146°06'52"; C/L Arapaho W.T.about 8 mi.in azimuth 313°20'17".

X-1,689,214.13 Y-234,045.55 El. 1734.516 ft.

9-F-49 TT 1936; Custer Co., 4.0 mi.N.& 4.5 mi.W.of Arapaho; via OK. Hwy.#14 & #33; near approx.SW.cor.sec.32,T14N,R17W; N.of its C/L in W. edge of field. OSCC Marker. C/L E.apex large 2 story farmhouse about 1.5 mi.in azimuth 16°25'24"; C/L S.apex farmhouse about 0.4 mi.in azimuth 185°01'14"; C/L chimney on sq.top farmhouse about 1 mi.in azimuth 230° 49'09".

X-1,691,114.09 Y-234,164.35 El. 1714.420 ft.

9-F-50 TT 1936; Custer Co., 4.0 mi.N.& 3.35 mi.W.of Arapaho via OK. Hwy.#14 & #33; near approx.NW.cor.sec.4,T13N,R17W; S.of OK.Hwy.#33; in range of W.side of small country church which is S.of road. OSCC Marker. C/L S.apex farmhouse about 0.75 mi.in azimuth 173°10'54"; C/L Custer City

W.T. in azimuth $255^{\circ}54'59''$; C/L Arapaho W.T. in azimuth $324^{\circ}40'54''$.

X-1,697,017.47 Y-233,989.71 El. 1791.109 ft.

9-F-51 TT 1936; Custer Co., 4.0 mi. N. & 2.0 mi. W. of Arapaho, via OK. Hwy. #14 & #33; near approx. SE. cor. SW. SE. sec. 34, T14N, R17W; 35.0 ft. N. of C/L OK. Hwy. #33 in edge of pasture. OSCC Marker. C/L chimney on sq. top farmhouse about 1.5 mi. in azimuth $127^{\circ}37'12''$; C/L peak Custer City W.T. about 10 mi. in azimuth $252^{\circ}40'52''$; C/L N. apex farmhouse about 2 mi. in azimuth $310^{\circ}05'22''$.

X-1,704,637.35 Y-233,993.85 El. 1742.624 ft.

9-F-52 TT 1936; Custer Co., 4.0 mi. N. & 1.05 mi. W. of Arapaho, via OK. Hwy. #14 & #33; near approx. NW. cor. sec. 2, T13N, R17W; 41.0 ft. S. of OK. Hwy. #33 in edge of pasture. OSCC Marker. C/L E. apex farmhouse about 2 mi. in azimuth $19^{\circ}31'30''$; C/L S. apex farmhouse about 1 mi. in azimuth $130^{\circ}18'00''$; C/L peak Custer City W.T. about 9 mi. in azimuth $249^{\circ}39'55''$.

X-1,709,202.82 Y-233,844.62 El. 1721.583 ft.

Eiseman Tri. Sta. (Custer Co., C.I.A. 1935) Approx. 5.0 mi. N. & 3.0 mi. W. of Arapaho; in approx. NW. $\frac{1}{2}$ sec. 33, T14N, R17W; in NW. cor. of cane field; 10.0 ft. E. of N-S fence; 13.5 ft. S. of C/L of lane along E-W fence. Approx. 0.2 mi. E. of H.H. Alexander home. To reach from jcts. of Main St. in Arapaho & OK. Hwy. #14, go N. on hwy. for 6.1 mi. to jcts. of OK. Hwy. #14 & #33, turn left & go W. for 3.5 mi. turn sharp left (S) after crossing steel bridge. Follow dirt road S. 1.2 mi. to a house on left, go thru yard and follow fence N. turn E. at fence cor. & go 0.2 mi. to top of grade & sta. Sta. is in cor. of cane field on right of dirt trail. Surface, underground, reference & azimuth marks are bronze tablets set in conc. & described according to notes lb, 7a, 11b, & 11a.

X-1,697,705.03 Y-238,386.41

R.M. #1 is 37.346 m. (122.51 ft.) in azimuth $07^{\circ}54'49''$.

R.M. #2 is 38.472 m. (126.24 ft.) in azimuth $94^{\circ}35'19''$.

Azimuth mark is in N-S fence line where an E-W fence joins it. To reach from sta. follow fence 0.4 mi. E. to N-S fence, is a std. mark in fence line in azimuth $274^{\circ}29'34''$.

Traverse 9-H - Custer, Beckham & Roger Mills Co's.

9-D-72 TT 1934 to Rankin Tri. Sta.

North Projection

9-D-72 TT 1934; Junction Station. See Traverse 9-D.

9-H-1 TT 1936; Custer Co., 0.5 mi. S. & 1.0 mi. W. of Clinton; 489.0 ft. S. & 167.0 ft. E. of approx. NW. cor. sec. 22, T12N, R17W; 38.0 ft. N. of N. rail of main track C.O.W. RR, on top of N. spoil bank; 167.0 ft. E. of C/L N-S Co. road; 0.25 mi. N. of brick plant. OSCC Marker. C/L N. apex farmhouse about 0.5 mi. in azimuth $10^{\circ}49'41''$; C/L E. apex E. porch on farmhouse about 0.75 mi. in azimuth $159^{\circ}26'01''$; C/L peak Clinton Muni. W.T. about 0.5 mi. in azimuth $247^{\circ}56'21''$.

X-1,704,498.07 Y-186,125.67 El. 1608.860 ft.

9-H-2 TT 1936; Custer Co., 0.5 mi. S. & 1.5 mi. W. of Clinton; via Co. road; near approx. SW. cor. SE. sec. 16, T12N, R17W; 32.0 ft. N. & 6.0 ft. E. of approx. S. $\frac{1}{4}$ cor. sec. 16; in SW. cor. of grain field; approx. 0.7 mi. NW. of brick plant. OSCC Marker. C/L N. apex schoolhouse about 4 mi. in azimuth $50^{\circ}56'01''$; C/L peak Clinton W.T. about 1 mi. in azimuth $259^{\circ}27'11''$; C/L S. apex farmhouse about 1 mi. in azimuth $327^{\circ}35'41''$.

X-1,701,713.21 Y-186,686.05

9-H-3 TT 1936; Custer Co., 0.5 mi. S. & 3.1 mi. W. of Clinton via Co. road; 581.0 ft. W. & 31.0 ft. S. of approx. NE. cor. sec. 19, T12N, R17W; 31.0 ft. N. of C/L Co. road; in edge of small pasture. OSCC Marker. C/L N. apex on Parkersburg schoolhouse about 3 mi. in azimuth $39^{\circ}29'58''$; C/L peak Clinton W.T. about 2.5 mi. in azimuth $265^{\circ}06'58''$; C/L N. apex farmhouse about 2.5 mi. in azimuth $288^{\circ}22'03''$.

X-1,693,235.87 Y-186,737.20 El. 1572.073 ft.

- 9-H-4 TT 1936; Custer Co., 0.5 mi.S. & 3.75 mi.W. of Clinton; via Co. road. 173.0 ft.E. & 32.0 ft.N. of approx. 40 acre cor. sec's. 18 & 19, T12N, R17W; in range of W. side of farmhouse S. of road. OSCC Marker. C/L chimney sq. top farmhouse about 1.5 mi. in azimuth 136°21'38"; C/L peak Clinton W.T. about 5 mi. in azimuth 266°07'18"; C/L chimney on sq. top farmhouse about 2 mi. in azimuth 295°42'03".
 X-1, 690, 313.84 Y-186, 824.99 El. 1616.423 ft.
- 9-H-5 TT 1936; Custer Co., 0.5 mi.S. & 4.6 mi.W. of Clinton via Co. road; 635.0 ft.W. & 31.0 ft.S. of approx. N $\frac{1}{2}$ cor. sec. 24, T12N, R18W; OSCC Marker. C/L N. apex farmhouse about 3 mi. in azimuth 52°41'57"; C/L peak of Clinton W.T. about 6 mi. in azimuth 266°54'42".
 X-1, 685, 417.45 Y-186, 825.91 El. 1656.383 ft.
- 9-H-6 TT 1936; Custer Co., 0.5 mi.S. & 5.8 mi.W. of Clinton; via Co. road. 1195.0 ft.E. & 28.0 ft.N. of approx. SW. cor. sec. 14, T12N, R18W; 28.0 ft.N. of C/L Co. road on top of 3 ft. red clay cutbank; 163.0 ft.W. of 40 acre fence cor. on cross fence to N. OSCC Marker. C/L Foss W.T. about 7 mi. in azimuth 55°58'02"; C/L S. apex farmhouse about 4 mi. in azimuth 152°18'12"; C/L W. apex farmhouse about 3 mi. in azimuth 311°18'52".
 X-1, 679, 376.60 Y-186, 958.85 El. 1638.801 ft.
- 9-H-7 TT 1936; Custer Co., 0.5 mi.S. & 7.1 mi.W. of Clinton via Co. road; 320.0 ft.W. & 28.0 ft.S. of approx. NE. cor. sec. 21, T12N, R18W; 2.0 ft. W. & 1.5 ft. N. of fence cor. near NW. cor. small cemetery. OSCC Marker. C/L N. apex farmhouse about 2 mi. in azimuth 50°20'45"; C/L S. apex farmhouse about 1.5 mi. in azimuth 116°01'05"; C/L S. apex farmhouse about 0.5 mi. in azimuth 194°38'35".
 X-1, 672, 596.16 Y-186, 980.58 El. 1551.939 ft.
- 9-H-8 TT 1936; Custer Co., 0.5 mi.S. & 8.85 mi.W. of Clinton via Co. road; 4.0 mi.N. & 2.2 mi.E. of Foss; 22.0 ft.E. & 22.0 ft.N. of approx. SW. cor. sec. 17, T12N, R18W; in range of W. side of small white farmhouse S. of road. OSCC Marker. C/L chimney on sq. top farmhouse about 0.5 mi. in azimuth 87°08'35"; C/L peak Butler W.T. about 10 mi. in azimuth 161°21'45"; C/L chimney on sq. top farmhouse about 4 mi. in azimuth 257°33'25".
 X-1, 663, 594.58 Y-187, 162.23 El. 1664.123 ft.
- 9-H-9 TT 1936; Custer Co., 0.5 mi.S. & 10.7 mi.W. of Clinton; 4.0 mi. N. & 0.3 mi.E. of Foss; 716.0 ft.W. & 31.0 ft.S. of approx. N $\frac{1}{2}$ cor. sec. 24, T12N, R19W; 31.0 ft.S. of E-W road in edge of pasture. OSCC Marker. C/L apex cor. of farmhouse about 2 mi. in azimuth 78°09'01"; C/L S. apex on farmhouse about 0.75 mi. in azimuth 218°04'36"; C/L W. apex on farmhouse about 1.5 mi. in azimuth 267°48'01".
 X-1, 653, 794.18 Y-187, 254.78
- 9-H-10 TT 1936; Custer Co., 4.0 mi.N. & 1.0 mi.W. of Foss; 24.0 ft.E. & 32.0 ft.N. of approx. SW. cor. sec. 14, T12N, R19W; 32.0 ft.N. of C/L Co. road; in SW. cor. of pasture. OSCC Marker. C/L E. apex farmhouse about 0.5 mi. in azimuth 87°34'16"; C/L W. apex farmhouse about 0.25 mi. in azimuth 257°06'11"; C/L N. apex farmhouse about 0.75 mi. in azimuth 338°46'41".
 X-1, 646, 560.61 Y-187, 389.89 El. 1648.162 ft.
- 9-H-11 TT 1936; Custer Co., 4.0 mi.N. & 2.0 mi.W. of Foss; 30.0 ft.S. & 40.5 ft.W. of original cor. stone sec. 22, 21, 13, 14, T12N, R19W; 42.5 ft.S. & 5.5 ft.W. of SW. cor. cattle guard W.R/W fence N-S T-road. OSCC Marker. C/L N. apex farmhouse about 0.5 mi. in azimuth 12°07'41"; C/L W. apex farmhouse about 0.25 mi. in azimuth 247°38'11"; C/L N. apex farmhouse about 1 mi. in azimuth 305°17'41".
 X-1, 641, 220.34 Y-187, 397.84 El. 1736.094 ft.
- 9-H-12 TT 1936; Custer Co., 4.0 mi.N. & 3.1 mi.W. of Foss; 6.2 mi.N. & 8.4 mi.E. of jet. US Hwy. #66 & OK Hwy. #34 NE. of Elk City; near approx. NE. cor. SE. SE. sec. 17, T12N, R19W; 125.0 ft.N. & 493.0 ft.W. of NW. cor. closed cattle guard in N-S sec. line fence on prominent flat knoll in pasture. OSCC Marker. C/L E. apex schoolhouse about 2.5 mi. in azimuth 149°27'26"; C/L Butler W.T. about 9 mi. in azimuth 195°09'06"; C/L peak Foss W.T. about 7 mi. in azimuth 321°54'26".
 X-1, 635, 592.57 Y-189, 641.36 El. 1823.493 ft.

- 9-H-13 TT 1936; Custer Co., 4.0 mi.N. & 3.9 mi.W. of Foss; 5.8 mi.N. & 7.6 mi.E. of intersection US.Hwy.#66 & OK.Hwy.#34 NE. of Elk City; 9.0 mi.S. & 3.4 mi.W. of Butler; 31.0 ft.S. & 629.0 ft.E. of approx.NE.cor.sec. 20, T12N, R19W; on S. end of prominent ridge near W. side pasture. OSCC Marker. C/L chimney on farmhouse about 4 mi. in azimuth $16^{\circ}17'45''$; C/L peak Butler W.T. about 10 mi. in azimuth $198^{\circ}59'55''$; C/L N. apex farmhouse about 2 mi. in azimuth $302^{\circ}40'10''$.
 X-1, 631, 344.80 Y-186, 838.53 El. 1824.459 ft.
- 9-H-14 TT 1936; Custer Co., 6.0 mi.N. & 5.4 mi.E. of jct. US.Hwy.#66 & OK.Hwy.#34 NE. of Elk City; 414.0 ft.E. & 28.0 ft.N. of approx. SE. cor. sec. 14, T12N, R20W; 28.0 ft.N. of C/L E-W sec. line road. OSCC Marker. C/L chimney on farmhouse about 2 mi. in azimuth $26^{\circ}48'32''$; C/L S. apex on a farmhouse about 1 mi. in azimuth $107^{\circ}17'52''$; C/L peak Butler W.T. about 11 mi. in azimuth $210^{\circ}45'22''$.
 X-1, 619, 967.24 Y-187, 736.69 El. 1905.419 ft.
- 9-H-15 TT 1936; Custer Co., 6.0 mi.N. & 4.05 mi.E. of jct. US.Hwy.#66 & OK.Hwy.#34 NE. of Elk City; 28.0 ft.E. & 28.0 ft.S. of approx. $N\frac{1}{4}$ cor. sec. 22, T12N, R20W; 28.0 ft.S. of C/L E-W sec. line road; 800.0 ft.E. of small farmhouse on N. side of road. OSCC Marker. C/L E. apex farmhouse about 0.5 mi. in azimuth $50^{\circ}00'47''$; C/L E. apex farmhouse about 4 mi. in azimuth $109^{\circ}16'42''$; C/L peak Butler W.T. about 12 mi. in azimuth $216^{\circ}55'47''$.
 X-1, 612, 727.05 Y-187, 789.83 El. 1942.176 ft.
- 9-H-16 TT 1936; Custer Co., 6.0 mi.N. & 1.9 mi.E. of jct. US.Hwy.#66 & OK.Hwy.#34; NE. of Elk City; 502.0 ft.W. & 23.0 ft.N. of approx. $S\frac{1}{4}$ cor. sec. 17, T12N, R20W; 23.0 ft.N. of C/L E-W sec. line trail. OSCC Marker. C/L E. apex farmhouse about 2 mi. in azimuth $53^{\circ}04'22''$; C/L peak C.G.Co. W.T. at Carpenter about 5 mi. in azimuth $131^{\circ}29'32''$; C/L chimney on sq. top farmhouse about 3 mi. in azimuth $154^{\circ}18'12''$.
 X-1, 601, 416.63 Y-187, 994.87 El. 1969.855 ft.
- 9-H-17 TT 1936; Beckham Co., 6.0 mi.N. & 0.05 mi.E. of jct. US.Hwy.#66 & OK.Hwy.#34 NE. of Elk City; 489.0 ft.E. & 17.0 ft.S. of approx. $N\frac{1}{4}$ cor. sec. 24, T12N, R21W; 17.0 ft.S. of C/L E-W sec. line trail; 300.0 ft.NE. of farmhouse S. of road. OSCC Marker. C/L E. apex farmhouse about 2 mi. in azimuth $116^{\circ}52'23''$; C/L peak Carpenter W.T. about 2 mi. in azimuth $177^{\circ}28'03''$; C/L N. apex farmhouse about 0.75 mi. in azimuth $316^{\circ}19'08''$.
 X-1, 591, 923.70 Y-188, 063.89 El. 2009.924 ft.
- 10-J-40 TT 1936; Junction Station. See Traverse 10-J.
- 9-H-18 TT 1936; Roger Mills Co., 6.0 mi.N. & 1.65 mi.W. of jct. US.Hwy.#66 & OK.Hwy.#34 NE. of Elk City; 1.5 mi.S. & 1.65 mi.W. of Carpenter; near approx. SE. cor. SW. SE. SE. sec. 15, T12N, R21W; 23.0 ft.N. of C/L E-W sec. line road. OSCC Marker. C/L S. apex farmhouse about 1 mi. in azimuth $200^{\circ}31'58''$; C/L peak C.G.Co. W.T. at Carpenter about 2 mi. in azimuth $232^{\circ}27'18''$; C/L N. apex farmhouse about 2 mi. in azimuth $349^{\circ}32'18''$.
 X-1, 582, 695.56 Y-188, 263.43 El. 2056.133 ft.
- 9-H-18-A TT 1936; Beckham Co., 6.0 mi. N. & 2.15 mi. W. of jct. US.Hwy.#66 & OK.Hwy.#34 NE. of Elk City; near approx. NW. cor. NE. NW. sec. 22, T12N, R21W; 31.0 ft.S. of E-W sec. line road & in range of E. side of farm house S. of road. is a $\frac{1}{2}$ in. iron rod set in conc. cast-in-place. C/L peak C.G. Co. W.T. at Carpenter about 2.5 mi. in azimuth $233^{\circ}47'33''$; C/L N. apex farmhouse about 2.5 mi. in azimuth $331^{\circ}21'33''$.
 X-1, 579, 995.24 Y-188, 276.69 El. 2100.076 ft.
- 9-H-19 TT 1936; Roger Mills Co., 6.0 mi.N. & 2.45 mi.W. of jct. US.Hwy.#66 & OK.Hwy.#34 NE. of Elk City; 2515.0 ft.E. & 23.0 ft.N. of approx. SW. cor. sec. 15, T12N, R21W; 23.0 ft.N. of C/L E-W sec. line trail. OSCC Marker. C/L E. apex farmhouse about 3 mi. in azimuth $54^{\circ}47'03''$; C/L W. apex farm house about 3 mi. in azimuth $256^{\circ}13'18''$; C/L N. apex farmhouse about 2.5 mi. in azimuth $325^{\circ}46'03''$.
 X-1, 578, 496.98 Y-188, 349.63 El. 2123.010 ft.
- 9-H-20 TT 1936; Beckham Co., 6.0 mi.N. & 2.95 mi.W. of jct. US.Hwy.#66 & OK.Hwy.#34 NE. of Elk City; 200.0 ft.E. & 22.0 ft.S. of approx. $N\frac{1}{4}$ cor. sec. 21, T12N, R21W; 22.0 ft.S. of C/L E-W sec. line trail. OSCC Marker. C/L

- S.apex farmhouse about 2.5 mi.in azimuth $18^{\circ}32'56''$; C/L E.apex on farm house about 2 mi.in azimuth $50^{\circ}25'41''$; C/L E.apex main roof farmhouse about 3 mi.in azimuth $100^{\circ}39'16''$.
- X-1,576,068.11 Y-188,373.13 El. 2113.340 ft.
9-H-21 TT 1936; Roger Mills Co., 6.7 mi.N.& 1.65 mi.W.of Elk City; 600.0 ft.E.& 20.0 ft.N.of approx.SW.cor.sec.16,T12N,R21W; 20.0 ft.N.of C/L E-W sec.line trail. OSCC Marker. C/L E.apex farmhouse about 0.5 mi.in azimuth $09^{\circ}50'05''$; C/L E.apex farmhouse about 3 mi.in azimuth $75^{\circ}42'55''$; C/L chimney on farmhouse about 3 mi.in azimuth $138^{\circ}53'10''$.
- X-1,573,823.97 Y-188,450.57 El. 2076.994 ft.
9-H-22 TT 1936; Roger Mills Co., 7.7 mi.N.& 3.1 mi.W.of Elk City; 51.0 ft.E.& 23.0 ft.N.of approx.S $\frac{1}{4}$ cor.sec.7,T12N,R21W; 23.0 ft.N.of C/L E-W Co.road; 104.0 ft.S.& 92.0 ft.E.of most southerly SE.cor.of Mr. J. A. Palmer's farmhouse in SE.cor.of yard. OSCC Marker. C/L W.apex farm house about 2 mi.in azimuth $239^{\circ}55'51''$; C/L N.apex farmhouse about 1.5 mi.in azimuth $316^{\circ}10'06''$; C/L W.apex farmhouse about 1.5 mi.in azimuth $348^{\circ}44'21''$.
- X-1,565,297.65 Y-193,833.75 El. 2035.826 ft.
9-H-23 TT 1936; Roger Mills Co., 7.35 mi.N.& 3.95 mi.W.of Elk City; near center NW.SW.NE.sec.13,T12N,R22W; 2074.0 ft.W.& 409.0 ft.S. of T road cor., 256.0 ft.W.of S.R/W fence cor.with cross fence to S. on top of prominent knoll. OSCC Marker. C/L E.apex farmhouse about 5 mi.in azimuth $54^{\circ}22'28''$; C/L peak Harmon W.T.about 14 mi.in azimuth $215^{\circ}59'18''$; C/L chimney on sq.top farmhouse about 1.5 mi.in azimuth $322^{\circ}44'48''$.
- X-1,560,763.68 Y-192,124.39 El. 2154.558 ft.
9-H-24 TT 1936; Roger Mills Co., 7.7 mi.N.& 5.65 mi.W.of Elk City; 6.3 mi.S.& 9.4 mi.E.of Cheyenne; 1.3 mi.E.of sandstone schoolhouse; near approx.NE.cor.NW.NW.NW.sec.14,T12N,R22W; 40.0 ft.S.of C/L E-W sec. line road; just E.of pasture gates in both R/W fences; 12.0 ft.E.& 3.0 ft.N.of E.gate post in S.gate. OSCC Marker. C/L E.apex large farmhouse about 1 mi.in azimuth $95^{\circ}59'52''$; C/L peak Strong City W.T.about 13 mi.in azimuth $152^{\circ}14'52''$; C/L N.apex farmhouse about 3 mi.in azimuth $349^{\circ}52'28''$.
- X-1,552,187.25 Y-194,020.49 El. 2079.463 ft.
9-H-25 TT 1936; Roger Mills Co., 7.7 mi.N.& 7.55 mi.W.of Elk City; 6.3 mi.S.& 7.1 mi.E.of Cheyenne; 0.65 mi.W.of sandstone schoolhouse; 616.0 ft.E.& 27.0 ft.N.of approx.SW.cor.sec.9,T12N,R22W; 27.0 ft.N.of C/L E-W sec.line road; 836.0 ft.E.of farmhouse NW.of cor., about 100.0 ft.NW.of small gravel knoll just S.of trail. OSCC Marker. C/L S.apex on house about 0.5 mi.in azimuth $150^{\circ}19'46''$; C/L N.apex farmhouse about 1 mi.in azimuth $226^{\circ}51'46''$; C/L chimney on farmhouse about 0.75 mi.in azimuth $284^{\circ}57'26''$.
- X-1,542,453.67 Y-194,210.49 El. 1905.538 ft.
9-H-26 TT 1936; Roger Mills Co., 8.15 mi.N.& 8.85 mi.W.of Elk City; 5.85 mi.S.& 5.95 mi.E.of Cheyenne; 1.95 mi.W.& 0.45 mi.N.of sandstone schoolhouse; 1707.0 ft.W.& 382.0 ft.S.of approx.E $\frac{1}{4}$ cor.sec.7,T12N,R22W; 382.0 ft.S.of C/L E-W $\frac{1}{2}$ sec.line trail; about 0.25 mi.SE.of group of farm bldgs. in valley; on top of & near end of long ridge. OSCC Marker. C/L S.apex farmhouse about 0.25 mi.in azimuth $167^{\circ}50'19''$; C/L W.apex on farmhouse about 1 mi.in azimuth $261^{\circ}54'44''$; C/L N.apex farmhouse about 0.75 mi.in azimuth $309^{\circ}54'54''$.
- X-1,534,668.56 Y-196,477.12 El. 1992.217 ft.
9-H-27 TT 1936; Roger Mills Co., 9.5 mi.S.& 1.3 mi.E.of Strong City; 5.6 mi.S.& 4.8 mi.E.of Cheyenne; near center of approx.SE.NW.sec.12, T12N,R23W; about 1.0 mi.NE.of abandoned farmhouse at center of sec.11; 1401.0 ft.N.of E-W $\frac{1}{2}$ sec.fence S.of trail; 559.0 ft.N.of E-W pasture trail on top of large knoll in rough pasture. OSCC Marker. C/L NW.cor. Berlin Schoolhouse about 7 mi.in azimuth $22^{\circ}38'05''$; C/L W.apex farmhouse about 5 mi.in azimuth $218^{\circ}29'35''$; C/L S.apex farmhouse about 3 mi. in azimuth $259^{\circ}44'00''$.
- X-1,527,881.48 Y-198,313.84 El. 2119.335 ft.

9-H-28 TT 1936; Roger Mills Co., 5.8 mi.S. & 3.8 mi.E. of Cheyenne; 9.75 mi.S. & 0.25 mi.E. of Strong City; near approx.NE.cor.SW.sec.11, T12N, R23W; 109.0 ft.N. & 155.0 ft.E. of NE.cor. of abandoned farmhouse; 104.0 ft.W. & 270.0 ft.S. of fence cor. at approx.center of sec. in NE.cor. of a rough pasture. Reached from Cheyenne by going S. for 5.3 mi. on US.Hwy. #283, E. for 1.75 mi. on sec.line trail, S. 0.25 mi. thru 2 gates, thence E. along main trail for about 2.25 mi. to old house. OSCC Marker. C/L NW.cor. Berlin Schoolhouse about 5 mi. in azimuth $14^{\circ}55'44''$; C/L peak of Strong City W.T. about 10 mi. in azimuth $181^{\circ}01'19''$; C/L W.apex farmhouse about 2 mi. in azimuth $309^{\circ}35'54''$.

X-1,522,948.23 Y-196,775.79 El. 2162.062 ft.

9-H-29 TT 1936; Roger Mills Co., 5.8 mi.S. & 2.85 mi.E. of Cheyenne; 77.0 ft.S. & 75.0 ft.W. of approx.center sec.10, T12N, R23W; reached from Cheyenne by going S. for 5.3 mi. on US.Hwy.#283, then E. 1.75 mi. on sec. line trail, then S. 0.25 mi. thru 2 gates, then E. about 1.25 mi. to fence cors. & gates between fields. Sta. is in N-S $\frac{1}{2}$ sec. fence line, 46.0 ft.S. of $\frac{1}{2}$ sec. fence to W. OSCC Marker. C/L NW.cor. Berlin Schoolhouse about 4 mi. in azimuth $05^{\circ}23'34''$; C/L chimney on sq.top farmhouse about 1 mi. in azimuth $102^{\circ}03'14''$; C/L peak Strong City W.T. about 10 mi. in azimuth $186^{\circ}30'44''$.

X-1,518,063.93 Y-197,059.44 El. 2173.403 ft.

9-H-30 TT 1936; Roger Mills Co., 5.3 mi.S. & 1.65 mi.E. of Cheyenne; via US.Hwy.#283 & E-W sec.line trail; 0.95 mi.E. of country schoolhouse N. of trail; 950.0 ft.E. & 23.0 ft.N. of approx.NW.cor.sec.4, T12N, R23W; 23.0 ft.N. of C/L E-W trail; about 0.3 mi.N. & 0.1 mi.W. of old sq. farmhouse at edge of breaks. OSCC Marker. C/L NW.cor. chimney on 4 room house about 1 mi. in azimuth $56^{\circ}17'52''$; C/L S.side of chimney on schoolhouse about 1.5 mi. in azimuth $93^{\circ}01'12''$; C/L NE.cor. chimney on 4 room house in azimuth $339^{\circ}45'32''$.

X-1,511,278.85 Y-199,848.18 El. 2210.106 ft.

9-H-31 TT 1936; Roger Mills Co., 5.3 mi.S. & 0.15 mi.E. of Cheyenne; via US.Hwy.#283 & sec.line road; near approx.NE.cor.NW.NE.sec.7, T12N, R23W; on top of first hill E. of Hwy., 3.0 ft.N. of S.R/W fence. OSCC Marker. C/L NW.cor. chimney on 4 room sq.house about 2 mi. in azimuth $27^{\circ}01'05''$; C/L N.side of S.chimney on 2 story frame house about 1.75 mi. in azimuth $88^{\circ}48'25''$; C/L NE.cor. chimney on 6 room frame farmhouse in azimuth $338^{\circ}06'55''$.

X-1,502,941.93 Y-199,989.85 El. 2295.264 ft.

9-H line runs concurrently with 10-K-42 to 10-K-45 inclusive. See Traverse 10-K.

9-H-32 TT 1936; Roger Mills Co., 7.4 mi.S. & 0.5 mi.W. of Cheyenne; 22.0 ft.S. & 2.5 ft.W. of approx.N $\frac{1}{2}$ cor.sec.19, T12N, R23W; 22.0 ft.S. of C/L US.Hwy.#283; 2.5 ft.N. & 2.5 ft.W. of $\frac{1}{2}$ sec.line fence cor.post. OSCC Marker. C/L N.side of chimney on 3 room frame farmhouse about 0.75 mi. in azimuth $80^{\circ}05'32''$; C/L SW.cor. chimney on 4 room house about 1 mi. in azimuth $149^{\circ}24'22''$; C/L NW.cor. of chimney on 6 room farmhouse about 0.5 mi. in azimuth $315^{\circ}40'52''$.

X-1,502,182.38 Y-189,406.97 El. 2309.147 ft.

9-H-33 TT 1936; Roger Mills Co., 7.4 mi.S. & 1.45 mi.W. of Cheyenne; via US.Hwy.#283 & E-W sec.line road; 453.0 ft.E. & 28.0 ft.N. of approx. S $\frac{1}{2}$ cor.sec.13, T12N, R24W; approx. 800.0 ft.NE. of windmill S. of road at S. edge of shinnery thicket; 28.0 ft.N. of C/L sec.line road. OSCC Marker. C/L N.gable on 6 room frame farmhouse about 2 mi. in azimuth $12^{\circ}31'48''$.

X-1,497,362.74 Y-189,582.55 El. 2337.699 ft.

9-H-34 TT 1936; Roger Mills Co., 7.4 mi.S. & 2.25 mi.W. of Cheyenne; via US.Hwy.#283 & E-W sec.line road; near center of N.line NE.sec. 23, T12N, R24W; 31.0 ft.S. of C/L sec.line road; 560.0 ft.E. of most easterly of two tall gate posts in R/W fence; 23.0 ft.E. of cross fence to S., which is just E. of small unpainted farmhouse S. of road. OSCC Marker. C/L NW.

cor. of chimney on 6 room frame farmhouse about 2 mi. in azimuth $63^{\circ}56'18''$; C/L SW. cor. of chimney on 4 room house about 1 mi. in azimuth $111^{\circ}49'18''$; C/L SE. cor. of chimney on 2 room farmhouse about 1 mi. in azimuth $211^{\circ}55'38''$.

X-1,493,004.46 Y-189,643.32 El. 2359.467 ft.
 9-H-35 TT 1936; Roger Mills Co., 7.4 mi. S. & 3.25 mi. W. of Cheyenne; via US. Hwy. #283 & E-W sec. line road; near center S. line SE. SE. sec. 15, T12N, R24W; 30.0 ft. N. of C/L sec. line road; 94.0 ft. S. & 76.0 ft. E. of SE. cor. of G.E. Kirk farmhouse; near SE. lot fence cor. OSCC Marker. C/L NW. cor. of chimney on 4 room frame house in azimuth $31^{\circ}41'52''$; C/L NW. cor. chimney on stone house about 2.5 mi. in azimuth $47^{\circ}20'22''$.

X-1,487,737.64 Y-189,773.24 El. 2378.488 ft.
 9-H-36 TT 1936; Roger Mills Co., 7.4 mi. S. & 4.37 mi. W. of Cheyenne; via US. Hwy. #283 & E-W sec. line road; 693.0 ft. E. & 22.0 ft. S. of approx. $N\frac{1}{2}$ cor. sec. 21, T12N, R24W; 22.0 ft. S. of C/L sec. line road; 693.0 ft. E. of cross fence S. of edge of field. OSCC Marker. C/L N. gable on 3 room T-shaped house about 1 mi. in azimuth $60^{\circ}37'24''$; C/L E.W.T.S. of Cheyenne in azimuth $212^{\circ}41'49''$; C/L NE cor. of chimney on 6 room sq. top frame house in azimuth $342^{\circ}53'49''$.

X-1,481,825.45 Y-189,823.14 El. 2443.702 ft.
 9-H-37 TT 1936; Roger Mills Co., 7.4 mi. S. & 5.05 mi. W. of Cheyenne; via US. Hwy. #283 & E-W sec. line road; 0.6 mi. S. & 3.95 mi. E. of Dempsey; 338.0 ft. W. & 24.0 ft. N. of approx. SE. cor. sec. 17, T12N, R24W; 24.0 ft. N. of C/L sec. line road on heavily brushed sandbank. OSCC Marker. C/L S. gable on barn about 2 mi. in azimuth $130^{\circ}42'16''$; C/L N. gable on 5 room T-shaped house about 0.5 mi. in azimuth $346^{\circ}49'26''$.

X-1,478,168.72 Y-189,946.36 El. 2437.011 ft.
 9-H-38 TT 1936; Roger Mills Co., 7.4 mi. S. & 6.45 mi. W. of Cheyenne; via US. Hwy. #283 & E-W sec. line road; 0.6 mi. S. & 2.55 mi. E. of Dempsey; 250.0 ft. E. & 31.0 ft. S. of approx. $N\frac{1}{2}$ cor. sec. 19, T12N, R24W; 31.0 ft. S. of C/L sec. line road; 2.6 ft. N. of S.R/W fence on heavily brushed sandy ridge OSCC Marker. C/L E. gable on barn about 0.5 mi. in azimuth $102^{\circ}29'25''$.

X-1,470,821.30 Y-190,081.55 El. 2371.389 ft.
 9-H-39 TT 1936; Roger Mills Co., 7.4 mi. S. & 7.83 mi. W. of Cheyenne; via US. Hwy. #283 & E-W sec. line road; 0.6 mi. S. & 1.17 mi. E. of Dempsey; 1000.0 ft. E. & 31.0 ft. N. of approx. SE. cor. sec. 13, T12N, R25W; 31.0 ft. N. of C/L E-W road in heavy thicket of post oak & shinnery. OSCC Marker. C/L N. side of chimney on 2 room frame farmhouse about 3 mi. in azimuth $90^{\circ}21'55''$; C/L NW. cor. 4 room farmhouse in azimuth $273^{\circ}05'55''$.

X-1,463,781.18 Y-190,332.99 El. 2377.491 ft.
 9-H-40 TT 1936; Roger Mills Co., 0.4 mi. S. & 0.1 mi. E. of Dempsey; via US. Hwy. #283 & E-W sec. line road; 611.5 ft. E. & 27.0 ft. S. of approx. NW. cor. sec. 23, T12N, R25W; 27.0 ft. S. of C/L E-W road; 61.0 ft. S. of 10" blazed cottonwood tree N. of road. OSCC Marker. C/L NW. cor. chimney on 4 room frame house in azimuth $24^{\circ}13'48''$; C/L S. gable on 3 room house with new addition on S., about 50.0 ft. S. of garage at Dempsey, in azimuth $160^{\circ}17'38''$;

X-1,458,112.82 Y-190,382.57 El. 2372.123 ft.
 9-H-40-A; Roger Mills Co., In S. edge of Dempsey; 1000.0 ft. S. & 18.0 ft. E. of approx. $W\frac{1}{2}$ cor. sec. 14, T12N, R25W; 118.0 ft. S. & 78.0 ft. E. of SE. cor. of small most southerly house in town, just W. of N-S road; car axle set vertically in conc. with top just below ground surface. C/L gable on 3 room house S. of store in azimuth $149^{\circ}10'52''$.

X-1,457,539.40 Y-192,063.29 El. 2376.126 ft.
 9-H-41 TT 1936; Roger Mills Co., 0.4 mi. N. of Dempsey; 1281.0 ft. S. & 31.5 ft. W. of approx. NE. cor. sec. 15, T12N, R25W; 31.5 ft. W. of C/L N-S sec. line road; 35.5 ft. N. of cross fence (40 acre) to E. OSCC Marker. C/L NE. side of S. chimney on 2 story frame farmhouse in azimuth $102^{\circ}09'06''$; C/L W. side of chimney on 4 room sq. top farmhouse in azimuth $176^{\circ}38'25''$.

X-1,457,525.61 Y-194,413.88 El. 2412.551 ft.

9-H-42 TT 1936; Roger Mills Co., 0.6 mi.N. & 0.7 mi.W. of Dempsey; 1300.0 ft.E. & 36.0 ft.N. of approx. SW. cor. sec. 10, T12N, R25W; 36.0 ft.N. of C/L E-W sec. line road; 6.4 ft.E. & 2.5 ft.N. of E. gate post at private road to house N. of road; in edge of field. OSCC Marker. C/L belfry on schoolhouse in azimuth $234^{\circ}46'26''$.

X-1,453,727.79

Y-195,759.64

El. 2463.153 ft.

9-H-42-A TT 1936; Roger Mills Co., 0.6 mi.N. & 1.8 mi.W. of Dempsey; 805.0 ft.E. & 27.0 ft.S. of approx. NW. cor. sec. 16, T12N, R25W; 27.0 ft.S. of C/L E-W sec. line road; 398.0 ft.W. & 100.0 ft.N. of NW. cor. of small farmhouse S. of road, just NW. of conc. tank at windmill. OSCC Marker. C/L NE. cor. of chimney on 2 story frame farmhouse in azimuth $55^{\circ}55'09''$.

X-1,448,215.83

Y-195,839.39

El. 2515.459 ft.

9-H-43 TT 1936; Roger Mills Co., 0.6 mi.N. & 2.05 mi.W. of Dempsey; 7.0 mi.S. & 3.95 mi.E. of Rankin; 213.0 ft.W. & 20.0 ft.S. of approx. NE. cor. sec. 17, T12N, R25W; 20.0 ft.S. of C/L E-W sec. line trail; approx. 800.0 ft.SW. of small unpainted farmhouse on high point some 500.0 ft.N. of trail. OSCC Marker. C/L N. side of chimney on $1\frac{1}{2}$ story farmhouse in azimuth $89^{\circ}37'41''$; C/L NW. cor. of chimney on 2 story frame farmhouse in azimuth $231^{\circ}27'41''$; C/L N. edge of chimney on 2 room farmhouse in azimuth $275^{\circ}00'11''$.

X-1,446,899.89

Y-195,873.77

El. 2519.987 ft.

9-H-44 TT 1936; Roger Mills Co., 0.6 mi.N. & 4.22 mi.W. of Dempsey; 1170.0 ft.W. & 30.0 ft.N. of approx. SE. cor. sec. 12, T12N, R26W; 30.0 ft.N. of C/L E-W sec. line trail; just W. of most westerly of two small oak trees on N. side of trail. OSCC Marker. C/L NW. cor. of NW. chimney on 6 room frame farmhouse about 0.5 mi. in azimuth $265^{\circ}22'58''$; C/L N. side of chimney on 2 room frame farmhouse about 1.5 mi. in azimuth $272^{\circ}40'38''$.

X-1,435,516.91

Y-196,216.57

El. 2533.974 ft.

9-H-45 TT 1936; Roger Mills Co., 7.0 mi.S. & 1.05 mi.E. of Rankin; 346.0 ft.E. & 32.5 ft.S. of approx. NW. cor. sec. 13, T12N, R26W; 32.5 ft.S. of C/L E-W sec. line trail; 175.0 ft.S. & 135.5 ft.W. of SW. cor. of sq. farm house N. of trail. OSCC Marker. C/L SW. cor. of 1 room frame house in azimuth $287^{\circ}19'11''$.

X-1,431,743.47

Y-196,231.87

El. 2526.997 ft.

9-H-46 TT 1936; Roger Mills Co., 6.0 mi.S. & 0.35 mi.W. of Rankin; 0.75 mi.S. & 0.45 mi.E. of Rankin Tri. Sta., in large scrub oak & shinnery covered sandy pasture. To reach from Rankin, go S. for 1.0 mi., then E. for 1.0 mi., then S. about 4.7 mi. to gate & cattle guard in R/W fence W. of trail; W. or to right & thru the guard; continue W. keeping to left fork for 1.35 mi. to top of small scrub oak covered knoll on N. side of trail; turn N. on W. side of trees & continue about 125.0 ft. to station. 1378.0 ft.E. & 600.0 ft.N. of pasture windmill; about 0.7 mi. SW. of Lanis Sutton farmhome in this pasture. OSCC Marker. C/L SE. cor. of 2 room frame shack about 0.5 mi. in azimuth $213^{\circ}35'50''$; C/L SW. cor. 2 story frame farm house about 1.5 mi. in azimuth $310^{\circ}55'30''$.

X-1,424,542.20

Y-201,899.51

El. 2545.459 ft.

Rankin Tri. Sta., (Roger Mills Co., W. Mussetter, 1927) Approx. 5.0 mi.S. & 1.0 mi.W. of Rankin; in approx. NW. $\frac{1}{4}$ sec. 3, T12N, R26W; in pasture land; 360.0 paces SE. of sec. cor. on small knoll with bushes on it, the highest point in the vicinity; approx. 0.12 mi. SW. of this knoll is a house hidden in a grove; 300.0 ft.S. of knoll is a cluster of bushes; to reach from Rankin go S. for 1 mi., then E. 1.0 mi., then S. 3.7 mi. to forks of road; take right-hand fork & go about 1.3 mi. to gate at right with row of cotton-wood trees running W. & quite a growth of trees to N. of them. Go thru gate & follow road for 1.0 mi. to forks, take right fork & follow main traveled road in northwesterly direction for about 1.2 mi., station will be about 300.0 ft.N. of road. Station marks are std. disk sta. marks in concrete.

X-1,421,649.05

Y-206,056.99

El. 2574.885 ft.

Traverse 9-J; Beckham, Washita, Caddo, Canadian, & Grady Co's.
Dune Tri. Sta. to 19-A-4 TT 1934
North Projection

Dune Tri.Sta., (Beckham Co., W.Mussetter, 1927)-Approx. 5.0 mi.W.& 1.33 mi.S.of Sweetwater; near NE.cor.SW.NW.sec.30,T11N,R26W; approx. 2400.0 ft.E.of old State line, on highest point of knoll in B.J.Puryear pasture land covered with scrub oaks; 845.0 ft.E.of E.fence along sec. line & approx. 900.0 ft.N.of row of cottonwood trees. There is another row of cottonwood trees about 0.33 mi.to N., Sta.reached from Sweetwater by going due W.for 5.0 mi.on sec.line road, turn S.through gate on sec. line & go S.for 1.33 mi.to sta. Station marks are std.disk sta.marks in conc., underground mark is 3.0 ft.below surface. Reference marks are std.reference disks in conc.

X-1,405,015.16 Y-152,638.47 El. 2240.451 ft.

R.M.#1 is 16.59 m.(54.4 ft.) in azimuth 146°08'00".

R.M.#2 is 389.02 m.(1276.3 ft.) in azimuth 03°43'10".

9-J-1 TT 1936; Beckham Co., 5.0 mi.W.& 0.6 mi.S.of Sweetwater via OK.Hwy.#41 & sec.line trail; 378.0 ft.S.& 33.0 ft.E.of approx.W $\frac{1}{2}$ cor. sec.19,T11N,R26W; 4.0 ft.E.of E.fence line in shinnery covered pasture. OSCC Marker. C/L SW.cor.of 1 story house about 1 mi.in azimuth 174°06'59"; C/L S.apex gable on 1 $\frac{1}{2}$ story house about 3 mi.in azimuth 218°36'02"; C/L N.end of 1 story farm bungalow about 2 mi.in azimuth 272°42'01".

X-1,404,274.41 Lat. 35°24'50.4543"

Y- 156,840.17 Long. 99 59 57.1656

El. 2240.542 ft.

9-J-2 TT 1936; Beckham Co., 4.5 mi.W.of Sweetwater via OK.Hwy.#41 & E-W sec.line trail; 84.0 ft.E.& 3.0 ft.S.of approx.N $\frac{1}{2}$ cor.sec.19,T11N, R26W; in N.edge of shinnery covered pasture; 84.0 ft.E.& 4.9 ft.S. of S. gate post in N-S fence across trail. OSCC Marker. C/L S.apex of farmhouse with 2 chimneys about 1 mi.in azimuth 154°40'41"; C/L S.apex on 2 story farmhouse about 2 mi.in azimuth 217°12'48"; C/L S.gable on 2 story farm house about 1.5 mi.in azimuth 259°10'03".

X-1,406,935.39 Lat. 35°25'19.7269"

Y- 159,745.93 Long. 99 59 25.7459

El. 2187.355 ft.

9-J-3 TT 1936; Beckham Co., 4.0 mi.W.of Sweetwater via OK.Hwy.#41 & E-W sec.line trail; 33.0 ft.N.of its C/L in edge of pasture; 681.0 ft. W.& 33.0 ft.N.of approx. SE.cor.sec.18,T11N,R26W; 0.25 mi.W.of jct. OK. Hwy.#41 & E-W sec.line trail; 392.0 ft.W.& 31.0 ft.N.of N.gate post in N-S fence across trail. OSCC Marker. C/L S.apex 1 story farmhouse about 0.12 mi.in azimuth 162°05'51"; C/L S.apex on 2 story farmhouse about 2 mi.in azimuth 208°52'31".

X-1,408,781.88 Lat. 35°25'20.5537"

Y- 159,791.75 Long. 99 59 03.4532

El. 2169.633 ft.

9-J-4 TT 1936; Beckham Co., 2.1 mi.W.of Sweetwater via OK.Hwy.#41; 778.0 ft.W.& 42.0 ft.S.of approx.NE.cor.sec.21,T11N,R26W; 42.0 ft.S.of C/L hwy.on top of 10.0 ft.red clay cutbank in N.edge of pasture. OSCC Marker. C/L S.apex on 2 story house about 1 mi.in azimuth 112°56'34"; C/L W.apex on 1 story farmhouse about 0.5 mi.in azimuth 295°29'38".

X-1,419,273.11 Lat. 35°25'19.7552"

Y- 159,498.44 Long. 99 56 56.6550

El. 2154.640 ft.

9-J-5 TT 1936; Beckham Co., 0.5 mi.W.of Sweetwater via OK.Hwy.#41; near approx.SW.cor.SE.sec.14,T11N,R26W; 46.0 ft.N.of C/L hwy.in edge of field; 10.5 ft.E.& 5.0 ft.N.of E.creosoted gate post in N. R/W fence. OSCC Marker. C/L N.apex on 1 story farmhouse about 1 mi.in azimuth 14° 05'26"; C/L S.apex of shack about 2 mi.in azimuth 130°09'08"; C/L W. gable on church about 0.75 mi.in azimuth 257°04'41".

X-1,427,976.62 Lat. 35°25'20.5217"

Y- 159,402.54 Long. 99 55 11.4991

El. 2206.207 ft.

9-J-6 TT 1936; Beckham Co., 1.05 mi.S.of Sweetwater via OK.Hwy.#41; 227.0 ft.S.& 52.0 ft.W.of approx.NE.cor.sec.26,T11N,R26W; 52.0 ft.W.of C/L hwy.in Sweetwater school yard; 33.0 ft.S.& 43.0 ft.E.of NE.cor.of N.

- school bldg. OSCC Marker. C/L NE.cor.of Sweetwater High School about 145.0 ft.in azimuth $18^{\circ}05'52''$; C/L S.apex of Sweetwater Baptist Church about 1 mi.in azimuth $182^{\circ}44'55''$; C/L S.apex on 1 story shack about 0.25 mi.in azimuth $262^{\circ}01'45''$.
- X-1,430,446.40 Lat. $35^{\circ}24'25.7202''$
 Y- 153,811.60 Long. 99 54 40.3361 El. 2164.079 ft.
 9-J-7 TT 1936; Beckham Co., 2.0 mi.S.of Sweetwater via OK.Hwy.#41; near approx.SW.cor.sec.25,T11N,R26W; 63.5 ft.N.& 22.4 ft.W.of SE. R/W fence cor., 105.6 ft.SW.of creosoted tel. pole NE.of cor., 3.0 ft.S.of N.R/W fence with top 1 ft.below road surface. OSCC Marker. C/L top of Erick W.T.about 13 mi.in azimuth $21^{\circ}11'02''$; C/L 1 story farmhouse about 1 mi.in azimuth $209^{\circ}48'12''$; C/L W.apex on 1 story house about 0.25 mi. in azimuth $261^{\circ}53'40''$.
- X-1,430,428.99 Lat. $35^{\circ}23'35.6769''$
 Y- 148,750.97 Long. 99 54 39.3433 El. 2150.243 ft.
 9-J-8 TT 1936; Beckham Co., 2.0 mi.S.& 0.9 mi.E.of Sweetwater via OK.Hwy.#41; 579.0 ft.W.& 32.0 ft.S.of approx.NE.cor.sec.36,T11N,R26W; 32.0 ft.S.of C/L hwy.in N.edge of field; 164.0 ft.S.& in range of W.side of yellow farmhouse N.of road. OSCC Marker. C/L N.apex on 2 story farm house about 0.5 mi.in azimuth $14^{\circ}47'21''$; C/L E.apex on 1 story house about 1 mi.in azimuth $123^{\circ}15'51''$; C/L S.apex on 2 story farmhouse across road from station about 0.04 mi.in azimuth $187^{\circ}06'14''$.
- X-1,435,028.10 Lat. $35^{\circ}23'35.2744''$
 Y- 148,620.10 Long. 99 53 43.7780 El. 2143.086 ft.
 9-J-9 TT 1936; Beckham Co., 2.0 mi.S.& 2.6 mi.E.of Sweetwater via OK.Hwy.#41; 542.0 ft.E.& 31.0 ft.N.of approx.S $\frac{1}{2}$ cor.sec.29,T11N,R25W; 31.0 ft.N.of C/L hwy. OSCC Marker. C/L E.apex on 2 story farmhouse about 0.5 mi.in azimuth $95^{\circ}46'55''$; C/L W.apex on farmhouse about 1 mi.in azimuth $218^{\circ}45'52''$; C/L N.apex on 2 story farmhouse about 1 mi.in azimuth $312^{\circ}18'22''$.
- X-1,443,985.84 Lat. $35^{\circ}23'35.7344''$
 Y- 148,493.10 Long. 99 51 55.5831 El. 2096.963 ft.
 9-J-10 TT 1936; Beckham Co., 6.3 mi.SE.of Sweetwater via OK.Hwy.# 41; 0.2 mi.SE.of intersection of C/L hwy.& E-W sec.line trail; 0.3 mi. SE.of brick filling station; near approx.center NW.NE.NW.sec.34, T11N, R25W; 50.0 ft.NE.of C/L hwy. & 49.0 ft.SE.of C/L private road to J. J. Mong home; 154.0 ft.S.of said home. OSCC Marker. C/L E.apex on First Baptist Church about 0.75 mi.in azimuth $144^{\circ}34'36''$; C/L W.apex on farm house about 0.25 mi.in azimuth $265^{\circ}08'03''$; C/L N.apex on 1 story farm house about 2 mi.in azimuth $345^{\circ}43'41''$.
- X-1,452,920.22 Lat. $35^{\circ}23'30.3849''$
 Y- 147,781.79 Long. 99 50 07.5364 El. 2098.700 ft.
 9-J-11 TT 1936; Beckham Co., 8.1 mi.SE.of Sweetwater via OK.Hwy.# 41; 401.0 ft.N.& 45.0 ft.W.of approx. center sec.2,T10N,R25W; 45.0 ft. SW.of C/L hwy.in edge of field; 0.8 mi.NW.of small filling station near top of hill NW.of road intersection. OSCC Marker. C/L N.apex stucco house about 0.5 mi.in azimuth $13^{\circ}47'35''$; C/L S.apex on farmhouse about 1.5 mi.in azimuth $156^{\circ}53'00''$; C/L SW.cor.of sharp-top house about 0.75 mi.in azimuth $227^{\circ}05'25''$.
- X-1,459,061.05 Lat. $35^{\circ}22'20.5186''$
 Y- 140,600.74 Long. 99 48 51.7652 El. 2101.561 ft.
 9-J-11-A TT 1936; Beckham Co., 8.1 mi.SE.of Sweetwater via OK.Hwy.# 41; in Blue-Union Grade School yard; 7.2 ft.N.of & in range of E.side of said school; 0.3 mi.N.of small filling station at NW.of road inter- section. Station consists of inverted bolt set in conc. cast-in-place. C/L NE.cor.of Blue-Union schoolhouse about 9.5 ft.in azimuth $01^{\circ}48'09''$; C/L E.apex on 1 story bungalow about 1 mi.in azimuth $92^{\circ}19'29''$; C/L apex on 1 story bungalow about 0.09 mi.in azimuth $178^{\circ}38'59''$.
- X-1,461,851.23 Lat. $35^{\circ}22'08.4073''$
 Y- 139,323.92 Long. 99 48 17.7953 El. 2145.892 ft.
 9-J-12 TT 1936; Beckham Co., 8.9 mi.SE.of Sweetwater via OK.Hwy.#

41; 498.0 ft.W. & 38.0 ft.N. of approx. S $\frac{1}{2}$ cor. sec. 1, T10N, R25W; 0.4 mi. E. along E-W sec. line road; 38.0 ft. N. of C/L said road in field. OSCC Marker. C/L Erick W.T. about 15 mi. in azimuth 21°06'09"; C/L S. apex on 1 story shack about 0.5 mi. in azimuth 167°10'46"; C/L arch of W. door of brick school about 3 mi. in azimuth 256°29'04".

X-1, 463, 724.90

Lat. 35°21'51.0110"

Y- 137, 529.86

Long. 99 47 54.7760

El. 2158.805 ft.

9-J-13 TT 1936; Beckham Co., 3.75 mi. W. of New Liberty; 3.7 mi. N. & 8.25 mi. W. of jct. US. Hwy's. #66 & #283 on N. side of Sayre; near approx. NW. cor. NE. NW. sec. 7, T10N, R24W; 27.0 ft. S. of C/L E-W road; 46.0 ft. W. of E. gate post of private road to J.E. Chasteen home; 27.0 ft. W. of cross fence S. OSCC Marker. C/L E. apex on 1 story farm shack about 0.25 mi. in azimuth 162°16'06"; C/L N. apex on farmhouse about 1.5 mi. in azimuth 329°48'26"; C/L NE. cor. of frame 1 $\frac{1}{2}$ story house about 0.25 mi. in azimuth 354°02'46".

X-1, 468, 594.74

Lat. 35°21'50.1096"

Y- 137, 348.89

Long. 99 46 55.9525

El. 2049.776 ft.

9-J-14 TT 1936; Beckham Co., 2.35 mi. W. of New Liberty; 3.7 mi. N. & 6.85 mi. W. of jct. US. Hwy's. #66 & #283 on N. side of Sayre; near center S. line SE. sec. 5, T10N, R24W; 36.0 ft. N. of C/L E-W sec. line road; 113.5 ft. N. & 2.5 ft. E. of SE. yard fence cor. at Dr. Windle's farmhome; 51.0 ft. S. & 59.0 ft. E. of SE. cor. of conc. porch of said home. OSCC Marker. C/L N. apex on 1 story farmhouse about 1 mi. in azimuth 36°11'34"; C/L E. apex on 1 story house about 73 ft. in azimuth 138°47'39"; C/L W. apex on 1 story farmhouse about 1 mi. in azimuth 317°33'21".

X-1, 476, 075.58

Lat. 35°21'50.2205"

Y- 137, 223.73

Long. 99 45 25.6247

El. 2000.413 ft.

9-J-15 TT 1936; Beckham Co., 0.75 mi. W. of New Liberty; 3.7 mi. N. & 5.25 mi. W. of jct. US. Hwy's. #66 & #283 on N. side of Sayre; near center N. line NW. sec. 10, T10N, R24W; 27.0 ft. S. of C/L E-W sec. line road; 140.5 ft. S. of & in range of cross fence N. (W. yard fence); 70.0 ft. W. of range of W. side of unpainted farmhouse N. of road. OSCC Marker. C/L E. apex on 1 story house about 1 mi. in azimuth 47°26'51"; C/L S. apex on 1 story house about 2.5 mi. in azimuth 149°26'16"; C/L W. apex on sharp-roof house about 0.75 mi. in azimuth 252°51'54".

X-1, 484, 152.45

Lat. 35°21'49.3979"

Y- 136, 995.47

Long. 99 43 48.0800

El. 2042.096 ft.

9-J-16 TT 1936; Beckham Co., 0.05 mi. E. of New Liberty; 3.7 mi. N. & 4.45 mi. W. of jct. US. Hwy's. #66 & #283 at N. side of Sayre; 414.0 ft. E. & 26.0 ft. N. of approx. SW. cor. sec. 2, T10N, R24W; 26.0 ft. N. of C/L E-W trail; 6.0 ft. N. & 2.5 ft. W. of fence cor. post in N. R/W fence & cross fence N. OSCC Marker. C/L N. apex on large 1 $\frac{1}{2}$ story farmhouse about 0.4 mi. in azimuth 29°14'54"; C/L NE. cor. large 1 story farmhouse about 0.4 mi. in azimuth 167°04'39"; C/L W. apex on 1 story farmhouse at S. side of road about 0.4 mi. in azimuth 279°31'09".

X-1, 488, 445.96

Lat. 35°21'49.7413"

Y- 136, 954.01

Long. 99 42 56.2444

El. 2064.447 ft.

9-J-17 TT 1936; Beckham Co., 4.7 mi. N. & 4.05 mi. W. of jct. US. Hwy's. #66 & #283 at N. side of Sayre; 1.0 mi. N. & 0.45 mi. E. of New Liberty; 380.0 ft. W. & 27.0 ft. S. of approx. N $\frac{1}{4}$ cor. sec. 2, T10N, R24W; 27.0 ft. S. of C/L E-W road; 3.0 ft. E. & 2.0 ft. N. of fence cor. post NW. of Iverson house lot. OSCC Marker. C/L E. apex on 1 story farmhouse about 0.5 mi. in azimuth 34°46'11"; C/L S. apex on 1 $\frac{1}{2}$ story farmhouse about 1 mi. in azimuth 146°56'21"; C/L W. apex on 1 story farmhouse about 0.05 mi. in azimuth 317°34'48".

X-1, 490, 367.39

Lat. 35°22'41.2791"

Y- 142, 132.03

Long. 99 42 34.1513

El. 2085.458 ft.

9-J-17-A TT 1936; Beckham Co., 4.7 mi. N. & 3.68 mi. W. of jct. US. Hwy's. #66 & #283 at N. side of Sayre; 1.0 mi. N. & 0.83 mi. E. of New Liberty; near center N. line NE. sec. 2, T10N, R24W; 24.0 ft. N. of & in range of cross fence S., 191.0 ft. E. & 30.0 ft. S. of cross fence N., 28.0 ft. NE. of glazed forked mulberry tree just inside farm fence. Cross mark in top of old wagon axle

set in conc. about 4 in. below road surface. C/L S. apex on 1 story shack about 2 mi. in azimuth $195^{\circ}20'57''$; C/L W. apex on 1 story farmhouse about 2 mi. in azimuth $249^{\circ}58'20''$; C/L top Sayre W.T. about 5 mi. in azimuth $325^{\circ}58'25''$.

X-1, 492, 261.80 Lat. $35^{\circ}22'41.3976''$
 Y- 142, 110.73 Long. 99 42 11.2753 El. 2084.618 ft.

9-J-18 TT 1936; Beckham Co., 4.7 mi. N. & 2.4 mi. W. of jct. US Hwy's. #66 & #283 at N. side of Sayre; 604.0 ft. E. & 20.0 ft. N. of approx. SW. cor. sec. 31, T11N, R23W; 20.0 ft. N. of C/L E-W sec. line road; 25.0 ft. SW. of rural tel. pole; 10.0 ft. S. of N.R/W fence. OSCC Marker. C/L E. apex on large house about 1 mi. in azimuth $117^{\circ}52'34''$; C/L S. apex on 1 story farmhouse about 1 mi. in azimuth $201^{\circ}05'20''$; C/L W. apex on 1 story farmhouse about 1 mi. in azimuth $245^{\circ}29'10''$.

X-1, 499, 273.59 Lat. $35^{\circ}22'41.4380''$
 Y- 141, 992.64 Long. 99 40 46.5956 El. 2014.910 ft.

9-J-19 TT 1936; Beckham Co., 4.7 mi. N. & 1.55 mi. W. of jct. US Hwy's. #66 & #283 at N. side of Sayre; 396.0 ft. W. & 16.0 ft. S. of approx. NE. cor. sec. 6, T10N, R23W; 16.0 ft. S. of C/L E-W sec. line road; 2.5 ft. W. & 1.0 ft. N. of W. gate post to private road S. OSCC Marker. C/L E. apex on large 2 story farmhouse about 2 mi. in azimuth $109^{\circ}32'32''$; C/L S. apex on farm house about 0.75 mi. in azimuth $202^{\circ}38'55''$; C/L N. apex on 1 story house about 0.08 mi. in azimuth $310^{\circ}07'07''$.

X-1, 503, 493.83 Lat. $35^{\circ}22'41.0932''$
 Y- 141, 885.07 Long. 99 39 55.6214 El. 2019.016 ft.

9-J-20 TT 1936; Beckham Co., 4.7 mi. N. & 0.5 mi. W. of jct. US Hwy's. #283 & #66 at N. side of Sayre; 27.0 ft. N. & 44.0 ft. W. of approx. SE. cor. sec. 32, T11N, R23W; 4.0 ft. W. & 2.5 ft. S. of angle iron fence cor. post NW. of intersection. OSCC Marker. C/L S. apex on 1 story farmhouse about 1 mi. in azimuth $145^{\circ}25'51''$; C/L S. apex on 1 story farmhouse about 0.5 mi. in azimuth $211^{\circ}53'09''$; C/L N. apex on bungalow about 0.75 mi. in azimuth $334^{\circ}01'56''$.

X-1, 509, 125.04 Lat. $35^{\circ}22'41.4742''$
 Y- 141, 827.53 Long. 99 38 47.6222 El. 2045.591 ft.

10-K-53 TT 1936; Junction Station. See Traverse 10-K.

9-J-21 TT 1936; Beckham Co., 4.7 mi. N. & 0.67 mi. E. of jct. US Hwy's #66 & #283 at N. side of Sayre; near approx. NW. cor. NE. NE. NW. sec. 3, T10N, R23W; 26.0 ft. S. of C/L E-W sec. line road; 95.0 ft. E. of range of cross fence to N. & 375.5 ft. W. of range of cross fence to S. in edge of field. OSCC Marker. C/L E. apex on large 2 story farmhouse about 3 mi. in azimuth $10^{\circ}02'57''$; C/L S. apex on small house about 0.5 mi. in azimuth $127^{\circ}12'24''$; C/L S. apex on house about 2 mi. in azimuth $221^{\circ}52'37''$.

X-1, 515, 384.35 Lat. $35^{\circ}22'41.0131''$
 Y- 141, 675.42 Long. 99 37 32.0208 El. 2043.556 ft.

9-J-22 TT 1936; Beckham Co., 4.7 mi. N. & 1.45 mi. E. of jct. US Hwy's. #66 & #283 at N. side of Sayre; 231.0 ft. W. & 25.0 ft. N. of approx. SE. cor. sec. 34, T11N, R23W; 25.0 ft. N. of C/L E-W road; 9.5 ft. S. of & in range of fence line to N. OSCC Marker. C/L SE. cor. Poxey brick schoolhouse about 2.5 mi. in azimuth $171^{\circ}11'28''$; C/L apex on house about 2 mi. in azimuth $236^{\circ}04'33''$; C/L NW. cor. small house about 2.9 mi. in azimuth $333^{\circ}33'23''$.

X-1, 519, 492.38 Lat. $35^{\circ}22'41.4381''$
 Y- 141, 649.90 Long. 99 36 42.4178 El. 1987.046 ft.

9-J-23 TT 1936; Beckham Co., 4.7 mi. N. & 2.85 mi. E. of jct. US Hwy's. #66 & #283 at N. side of Sayre; 566.0 ft. W. & 18.0 ft. S. of approx. N $\frac{1}{2}$ cor. sec. 1, T10N, R23W; 765.0 ft. E. of cross fence S. & 1.0 ft. N. of S.R/W fence. OSCC Marker. C/L NW. cor. 1 story house below brow of hill about 5 mi. in azimuth $41^{\circ}22'34''$; C/L SE. cor. of house in grove of trees about 0.75 mi. in azimuth $147^{\circ}14'27''$; C/L W. apex on house about 2 mi. in azimuth $242^{\circ}12'24''$.

X-1, 527, 084.37 Lat. $35^{\circ}22'41.0231''$
 Y- 141, 482.88 Long. 99 35 10.7234 El. 1990.847 ft.

9-J-24 TT 1936; Beckham Co., 4.7 mi. N. & 5.1 mi. E. of jct. US Hwy's.

#66 & #283 at N. side of Sayre; 2.3 mi. S. & 8.0 mi. W. of Elk City; 4.4 ft. E. & 38.0 ft. N. of approx. $S\frac{1}{4}$ cor. sec. 32, T11N, R22W; 559.0 ft. W. of cross fence S. OSCC Marker. C/L ball on Sayre W.T. about 5 mi. in azimuth $43^{\circ}49'30''$; C/L E. apex on farmhouse about 1.5 mi. in azimuth $112^{\circ}54'46''$; C/L S. apex on $1\frac{1}{2}$ story farmhouse about 0.5 mi. in azimuth $201^{\circ}07'02''$.

X-1, 538, 508.28 Lat. $35^{\circ}22'42.1105''$
Y- 141, 408.42 Long. 99 32 52.7827 El. 2114.790 ft.

9-J-24-A TT 1936; Beckham Co., 7.5 mi. SW. of Elk City via US Hwy. #66; 0.45 mi. W. along E-W sec. line trail; 19.0 ft. N. of its C/L in field; near approx. SE. cor. SW. sec. 33, T11N, R22W; 245.5 ft. S. & 36.0 ft. W. of SW. cor. of unpainted farmhouse; 389.0 ft. W. of $\frac{1}{2}$ sec. fence. Is a inverted bolt in conc. cast-in-place. C/L ball on Sayre W.T. about 9 mi. in azimuth $48^{\circ}18'02''$; C/L S. apex on $1\frac{1}{2}$ story farmhouse about 0.5 mi. in azimuth $127^{\circ}43'32''$; C/L S. apex on $1\frac{1}{2}$ story house about 0.06 mi. in azimuth $196^{\circ}31'17''$.

X-1, 542, 976.25 Lat. $35^{\circ}22'42.0243''$
Y- 141, 328.80 Long. 99 31 58.8231 El. 2088.469 ft.

9-J-25 TT 1936; Beckham Co., 7.5 mi. SW. of center of Elk City via US Hwy. #66; SE. of its intersection with E-W sec. line road; near NE. cor. NW. NE. sec. 4, T10N, R22W; 5.9 ft. SE. of E. outside edge of conc. curb on pvt., 9.4 ft. W. of NE. cor. E. conc. wingwall of double 8 x 4 x 40 ft. conc. culvert under US Hwy. #66; 16.5 ft. NW. of 4 x 6 ft. warning post. OSCC Marker set 6 in. below surface in E. shoulder of US Hwy. #66. C/L N. apex on 1 story farmhouse about 2 mi. in azimuth $13^{\circ}44'13''$; C/L NE. cor. of 1 story farmhouse about 0.08 mi. in azimuth $79^{\circ}46'36''$; C/L E. apex on 1 story farmhouse about 0.08 mi. in azimuth $143^{\circ}41'08''$.

X-1, 545, 184.47 Lat. $35^{\circ}22'41.8214''$
Y- 141, 273.51 Long. 99 31 32.1514 El. 2068.977 ft.

9-J-26 TT 1936; Beckham Co., 7.5 mi. SW. of center of Elk City via US Hwy. #66; 0.75 mi. E. along E-W sec. line road; 28.0 ft. N. of its C/L; 342.0 ft. E. & 28.0 ft. N. of approx. $S\frac{1}{4}$ cor. sec. 34, T11N, R22W; 147.0 ft. W. of large white 2 story farmhouse of J.S. Johnson S. of road; 6.0 ft. S. & 13.0 ft. E. of fence cor. post. OSCC Marker. C/L ball on Sayre W.T. about 9 mi. in azimuth $53^{\circ}16'39''$; C/L S. apex on 1 story farmhouse about 0.06 mi. in azimuth $144^{\circ}14'37''$; C/L N. apex on 2 story farmhouse about 0.08 mi. in azimuth $320^{\circ}43'49''$.

X-1, 548, 980.58 Lat. $35^{\circ}22'42.3238''$
Y- 141, 264.90 Long. 99 30 46.3171 El. 2103.988 ft.

9-J-27 TT 1936; Beckham Co., 2.4 mi. S. & 5.15 mi. W. of Elk City; 1.85 mi. W. of Merritt Con. School; 528.0 ft. E. & 26.0 ft. S. of approx. NW. cor. sec. 2, T10N, R22W; 2.5 ft. N. & 3.5 ft. W. of large 6 x 8 ft. fence post; about 500.0 ft. SE. of small white farm bungalow. OSCC Marker. C/L S. apex on 1 story house about 0.5 mi. in azimuth $196^{\circ}42'49''$; C/L S. apex on $1\frac{1}{2}$ story farmhouse about 1.5 mi. in azimuth $234^{\circ}33'42''$; C/L N. apex on 2 story farmhouse about 1.5 mi. in azimuth $348^{\circ}31'14''$.

X-1, 551, 818.90 Lat. $35^{\circ}22'41.7985''$
Y- 141, 167.68 Long. 99 30 12.0301 El. 2103.968 ft.

9-J-27-A TT 1936; Beckham Co., 2.4 mi. S. & 4.15 mi. W. of Elk City; 216.0 ft. W. & 4.0 ft. S. of approx. $N\frac{1}{4}$ cor. sec. 1, T10N, R22W; 26.0 ft. N. & 178.0 ft. E. of 12" blazed locust tree in S.R/W fence; 29.0 ft. S. of N.R/W fence; is a $\frac{1}{2}$ in. iron pipe filled with & set in conc. with top 6 in. below surface. C/L E. apex on 2 story farmhouse about 1.5 mi. in azimuth $70^{\circ}20'37''$; C/L S. apex on 1 story house about 1.25 mi. in azimuth $141^{\circ}17'25''$; C/L W. apex on farmhouse about 0.75 mi. in azimuth $311^{\circ}22'30''$.

X-1, 558, 973.25 Lat. $35^{\circ}22'42.2703''$
Y- 141, 105.49 Long. 99 28 45.6396 El. 2129.730 ft.

9-J-28 TT 1936; Beckham Co., 2.6 mi. S. & 3.75 mi. W. of Elk City at Merritt Con. School; 418.0 ft. W. & 69.0 ft. N. of approx. SE. cor. sec. 36, T11N, R22W; in range of & 61.0 ft. S. of W. side of said school. OSCC Marker. C/L peak Sayre W.T. about 15 mi. in azimuth $60^{\circ}51'39''$; C/L W. apex on farmhouse about 0.25 mi. in azimuth $283^{\circ}42'04''$; C/L W. apex on farmhouse about 0.5 mi. in azimuth $352^{\circ}35'29''$.

X-1, 561, 404.78 Lat. $35^{\circ}22'43.1213''$
Y- 141, 154.60 Long. 99 28 16.2909 El. 2131.720 ft.

9-J-29 TT 1936; Beckham Co., 2.6 mi.S. & 3.4 mi.W. of Elk City; 0.35 mi.W. of Merritt Con. School; near approx.NW.cor.NE.NW.sec.6, T10N, R21W; 28.0 ft.S. of C/L E-W sec.line trail; 1481.5 ft.W. of N.rail CRI&P RR at C/L E-W crossing. OSCC Marker. C/L N.apex on farmhouse about 0.25 mi.in azimuth 83°42'58"; C/L peak Elk City Cotton Oil Mill W.T.about 4 mi. in azimuth 240°53'18"; C/L Elk City Muni.W.T.about 3 mi.in azimuth 268°44'55".

X-1,563,254.42 Lat. 35°22'42.2259"
Y- 141,036.09 Long. 99 27 53.9374 El. 2123.771 ft.

9-J-29-A TT 1936; Beckham Co., 2.6 mi.S. & 1.7 mi.W. of Elk City; 89.0 ft.E. & 23.0 ft.N. of approx.SW.cor.sec.33, T11N, R21W; 42.0 ft.E. & 2.3 ft.S. of SE.yard fence cor. at farmhouse. is a bolt set in conc. cast-in-place. C/L N.apex farmhouse about 1 mi.in azimuth 68°33'14"; C/L S.apex on farmhouse about 3 mi.in azimuth 111°50'54"; C/L peak Elk City Cotton Oil Mill W.T.about 2.5 mi.in azimuth 223°03'44".

X-1,572,363.25 Lat. 35°22'42.3257"
Y- 140,910.15 Long. 99 26 03.9370 El. 1968.708 ft.

9-J-30 TT 1936; Beckham Co., 2.45 mi.S. & 0.2 mi.W. of Elk City at W.T., near approx.SE.cor.NE.SE.SW.sec.34, T11N, R21W; 9.3 ft.W. of N.edge of most northerly iron column base plate; 20.3 ft.NE. of NE.cor. of base plate just SW. of one above. OSCC Marker. C/L W.apex on farmhouse about 1.5 mi.in azimuth 46°06'03"; C/L S.apex on brick farmhouse about 0.5 mi. in azimuth 140°21'40"; C/L peak Elk City Cotton Oil Mill W.T.about 2.5 mi.in azimuth 193°00'48".

X-1,580,109.42 Lat. 35°22'48.6456"
Y- 141,435.82 Long. 99 24 30.5033 El. 1984.104 ft.

10-J-48 TT 1936 & 10-J-49 TT 1936; Junction Stations. See Traverse 10-J.

9-J-31 TT 1936; Beckham Co., 2.6 mi.S. & 1.45 mi.E. of Elk City; 1087.0 ft.E. & 111.0 ft.S. of approx.NW.cor.sec.1, T10N, R21W; 478.0 ft.E. of & in range of N.side of Elk Creek Schoolhouse in pasture. OSCC Marker. C/L peak Elk City Muni.W.T.about 1.5 mi.in azimuth 95°49'38"; C/L peak Elk City Cotton Oil Mill W.T.about 2.5 mi.in azimuth 149°17'10"; C/L N.apex on farmhouse about 1 mi.in azimuth 350°51'25".

X-1,589,190.34 Lat. 35°22'40.4783"
Y- 140,479.59 Long. 99 22 40.6951 El. 1890.000 ft.

9-J-31-A TT 1936 (Reset 1937) Washita Co., 2.6 mi.S. & 2.3 mi.E. of Elk City; 19.3 ft.E. & 10.7 ft.S. of approx.NW.cor.sec.6, T10N, R20W; 56.0 ft.SE. of fence post on NW.cor. of road intersection; 53.8 ft.NE. of phone pole on SW.cor. of road intersection; 78.0 ft.S. of line thru chimney on house on N.side of road; approx. 1200.0 ft.W. of station & W.T., 2.45 mi. S. of Elk City. Is a monel metal rivet set in conc.in 2 in.pipe set flush with & in conc. 10 in. below surface. C/L N.apex on farmhouse about 0.5 mi.in azimuth 04°28'12"; C/L peak Elk City Muni.W.T.about 2.5 mi.in azimuth 93°52'52"; C/L peak Elk City Cotton Oil Mill W.T.about 3 mi.in azimuth 135°51'47".

X-1,593,369.32 Lat. 35°22'41.2820"
Y- 140,501.86 Long. 99 21 50.2428 El. 1965.134 ft.

9-J-32 TT 1936; Washita Co., 2.6 mi.S. & 4.3 mi.E. of Elk City; 3.0 mi.S. & 3.0 mi.W. of Canute; 90.0 ft.W. & 30.0 ft.N. of approx.SE.cor.sec.32, T11N, R20W; 89.3 ft.S. & 6.4 ft.E. of SE.cor. of Baptist Church NW. of intersection. OSCC Marker. C/L apex of E.dormer window of farmhouse about 2 mi.in azimuth 36°57'31"; C/L peak Elk City Muni.W.T.about 4.5 mi.in azimuth 92°21'46"; C/L Elk City Cotton Oil Mill W.T.about 6 mi.in azimuth 118°02'56".

X-1,603,742.86 Lat. 35°22'42.0290"
Y- 140,433.51 Long. 99 19 44.9823 El. 1948.863 ft.

9-J-33 TT 1936; Washita Co., 2.6 mi.S. & 5.15 mi.E. of Elk City; 3.0 mi.S. & 2.15 mi.W. of Canute; 755.0 ft.W. & 25.0 ft.S. of approx.NE.cor.sec.4, T10N, R20W; 25.0 ft.S. of C/L E-W road; 51.0 ft.S. & in range of E.farm lot fence to N. OSCC Marker. C/L W.apex on farmhouse about 2 mi.in azi-

muth $31^{\circ}42'03''$; C/L Elk City Muni.W.T.about 6 mi.in azimuth $92^{\circ}10'08''$;
C/L N.apex on farmhouse about 1.5 mi.in azimuth $288^{\circ}54'20''$.

X-1,608,372.31 Lat. $35^{\circ}22'41.6857''$

Y- 140,335.78 Long. 99 18 49.0705 El. 1962.731 ft.

9-J-34 TT 1936; Washita Co., 2.6 mi.S.& 6.0 mi.E.of Elk City; 3.0 mi.S.& 1.3 mi.W.of Canute; near approx.SE.cor.SW.SE.sec.34,T11N,R20W; 22.0 ft.N.of C/L E-W road at fence cor.directly N.of yellow farmhouse; 2.8 ft.E.& 1.8 ft.S.of fence cor.post, which is about 150.0 ft.SW. of white farmhouse. OSCC Marker. C/L E.apex on farmhouse about 1 mi. in azimuth $76^{\circ}25'19''$; C/L S.apex on farmhouse about 0.04 mi.in azimuth $200^{\circ}45'12''$; C/L S.apex on farmhouse about 1 mi.in azimuth $267^{\circ}50'57''$.

X-1,612,910.84 Lat. $35^{\circ}22'42.1601''$

Y- 140,322.69 Long. 99 17 54.2702 El. 1960.144 ft.

9-J-35 TT 1936; Washita Co., 3.0 mi.S.& 0.1 mi.W.of Canute; 646.0 ft.W.& 25.0 ft.S.of approx.NE.cor.sec.2,T10N,R20W; 25.0 ft.S.of C/L E-W road; 2.0 ft.N.of country tel.line. OSCC Marker. C/L S.apex on farmhouse about 2.5 mi.in azimuth $133^{\circ}45'38''$; C/L S.apex on farmhouse about 0.5 mi. in azimuth $206^{\circ}59'40''$; C/L W.apex on farmhouse about 0.5 mi.in azimuth $352^{\circ}28'55''$.

X-1,619,034.11 Lat. $35^{\circ}22'41.9047''$

Y- 140,215.62 Long. 99 16 40.3207 El. 1982.344 ft.

9-J-36 TT 1936; Washita Co., 3.0 mi.S.& 0.43 mi.E.of Canute; 410.0 ft.W.& 31.0 ft.N.of approx.S $\frac{1}{4}$ cor.sec.36,T11N,R20W; 31.0 ft.N.of C/L E-W road; 169.0 ft.E.of cross fence to N. CSCC Marker. C/L W.apex on a farmhouse about 0.5 mi.in azimuth $82^{\circ}13'56''$; C/L S.apex on farmhouse about 0.5 mi.in azimuth $120^{\circ}58'58''$; C/L W.apex on farmhouse about 1.5 mi.in azimuth $221^{\circ}50'43''$.

X-1,621,918.62 Lat. $35^{\circ}22'42.6402''$

Y- 140,252.17 Long. 99 16 05.4989 El. 1975.645 ft.

9-J-37 TT 1936; Washita Co., 3.0 mi.S.& 1.9 mi.E.of Canute; 439.0 ft.W.& 30.0 ft.S.of approx.NE.cor.sec.6,T10N,R19W; 30.0 ft.S.of C/L E-W trail; 61.0 ft.S.& in range of 2nd W.yard fence at sq.green farmhouse. OSCC Marker. C/L S.apex on farmhouse about 2.5 mi.in azimuth $104^{\circ}47'26''$; C/L chimney on farmhouse about 5.0 mi.in azimuth $242^{\circ}53'58''$; C/L N.apex on farmhouse about 0.5 mi.in azimuth $355^{\circ}54'53''$.

X-1,629,707.39 Lat. $35^{\circ}22'42.0539''$

Y- 140,092.18 Long. 99 14 31.4316 El. 1935.418 ft.

9-J-38 TT 1936; Washita Co., 3.0 mi.S.& 3.7 mi.E.of Canute; near approx.SE.cor.SW.SW.sec.32,T11N,R19W; 25.0 ft.N.of C/L E-W trail in oak thicket; 50.0 ft.S.& 2.6 ft.W.of fence cor.post; 95.0 ft.E.of range of cross fence to S., 167.0 ft.W.of C/L of T-road S. OSCC Marker. C/L N. apex on farmhouse about 0.25 mi.in azimuth $10^{\circ}22'24''$; C/L E.apex on farmhouse about 2 mi.in azimuth $119^{\circ}41'29''$; C/L peak Foss W.T.about 6 mi.in azimuth $208^{\circ}41'34''$.

X-1,636,537.65 Lat. $35^{\circ}22'42.7324''$

Y- 140,074.21 Long. 99 13 08.9595 El. 1928.755 ft.

9-J-38-A TT 1936; Washita Co., 3.0 mi.S.& 3.97 mi.E.of Canute; 5.0 mi.S.& 2.03 mi.W.of Foss; 189.0 ft.W.& 14.0 ft.S.of approx.NE.cor. sec.4, T10N,R19W; 12.5 ft.N.of S.R/W fence; 166.0 ft.S.& 48.0 ft.E.of SE.cor.of small farmhouse NW.of road intersection. Is a inverted bolt in 4 in. terra-cotta pipe filled with & set in conc.cast-in-place. C/L tip of crucifix on Catholic Church about 6 mi.in azimuth $128^{\circ}08'54''$; C/L peak Foss W.T.about 5 mi.in azimuth $202^{\circ}07'49''$; C/L N.apex on farmhouse about 0.5 mi.in azimuth $346^{\circ}12'44''$.

X-1,640,495.75 Lat. $35^{\circ}22'42.0302''$

Y- 139,953.77 Long. 99 12 21.1507 El. 1897.416 ft.

9-J-39 TT 1936; Washita Co., 5.0 mi.S.& 0.37 mi.W.of Foss; 3.0 mi. S.& 5.65 mi.E.of Canute; in N.side of E-W sec.line road; 493.0 ft.E. & 10.0 ft.N.of approx.S $\frac{1}{4}$ cor.sec.35,T11N,R19W; 91.7 ft.N.of & in range with W.side of small farmhouse of E.M.Tidwell & yard fence S. of road. OSCC Marker set 6 in.below road surface. C/L E.apex on farmhouse about

- 0.75 mi. in azimuth $67^{\circ}30'53''$; C/L peak Foss W.T. about 3 mi. in azimuth $186^{\circ}02'38''$; C/L N. apex on farmhouse about 0.5 mi. in azimuth $315^{\circ}54'50''$.
 X-1, 649, 085.87 Lat. $35^{\circ}22'42.0798''$
 Y- 139, 853.36 Long. 99 10 37.4173 El. 1859.061 ft.
 9-J-40 TT 1936; Washita Co., 5.0 mi. S. & 1.43 mi. E. of Foss; 584.0 ft. W. & 23.0 ft. S. of approx. $N\frac{1}{4}$ cor. sec. 6, T10N, R18W; 23.0 ft. S. of E-W trail; 700.0 ft. SW. of small farmhouse NE. of $\frac{1}{4}$ cor., 2.6 ft. S. of a rural tel. line. OSCC Marker. C/L chimney on farmhouse about 3 mi. in azimuth $61^{\circ}13'47''$; C/L E. apex on farmhouse about 0.25 mi. in azimuth $115^{\circ}24'05''$; C/L tip of spire on Lutheran Church at Bessie about 7 mi. in azimuth $264^{\circ}51'50''$.
 X-1, 658, 562.49 Lat. $35^{\circ}22'41.7247''$
 Y- 139, 704.11 Long. 99 08 42.9731 El. 1837.937 ft.
 9-J-41 TT 1936; Washita Co., 4.55 mi. S. & 2.0 mi. E. of Foss; 8.5 mi. W. & 0.45 mi. N. of Bessie; 310.0 ft. S. & 25.0 ft. E. of approx. $W\frac{1}{4}$ cor. sec. 32, T11N, R18W; 25.0 ft. E. of C/L N-S sec. line trail; about 300.0 ft. S. of row of mulberry trees on cross fence W. OSCC Marker. C/L N. apex on farmhouse about 0.11 mi. in azimuth $12^{\circ}54'06''$; C/L chimney on farmhouse about 3 mi. in azimuth $178^{\circ}19'01''$; C/L tip of spire on Lutheran Church in Bessie about 5 mi. in azimuth $267^{\circ}17'14''$.
 X-1, 661, 842.77 Lat. $35^{\circ}23'04.9526''$
 Y- 142, 014.39 Long. 99 08 03.6922 El. 1808.875 ft.
 9-J-42 TT 1936; Washita Co., 0.5 mi. N. & 6.7 mi. W. of Bessie; near approx. SE. cor. SW. SE. sec. 28, T11N, R18W; 31.0 ft. N. of C/L curving Country road; on top of knoll at SE. end of ridge in pasture; about 125.0 ft. N. of N. R/W fence. OSCC Marker. C/L N. apex on farmhouse about 2 mi. in azimuth $06^{\circ}07'16''$; C/L S. apex on farmhouse about 2 mi. in azimuth $119^{\circ}56'00''$; C/L peak Frisco W.T. at Bessie about 6 mi. in azimuth $276^{\circ}57'16''$.
 X-1, 670, 704.02 Lat. $35^{\circ}23'36.4214''$
 Y- 145, 094.30 Long. 99 06 17.1135 El. 1671.463 ft.
 9-J-43 TT 1936; Washita Co., 0.5 mi. N. & 5.52 mi. W. of Bessie; 1047.0 ft. W. & 32.0 ft. N. of approx. SE. cor. sec. 27, T11N, R18W; 32.0 ft. N. of C/L Co. road atop small red shale knoll in sec. line. OSCC Marker. C/L E. apex on farmhouse about 2 mi. in azimuth $36^{\circ}01'57''$; C/L E. apex on farmhouse about 1.5 mi. in azimuth $155^{\circ}20'22''$; C/L peak Frisco W.T. at Bessie in azimuth $277^{\circ}46'30''$.
 X-1, 676, 569.78 Lat. $35^{\circ}23'34.1791''$
 Y- 144, 812.60 Long. 99 05 18.3136 El. 1660.892 ft.
 9-J-44 TT 1936; Washita Co., 0.5 mi. N. & 3.62 mi. W. of Bessie; 925.0 ft. E. & 29.0 ft. S. of approx. $N\frac{1}{4}$ cor. sec. 36, T11N, R18W; 29.0 ft. S. of C/L Co. road; in range of W. side of small faded white farmhouse S. of road; 35.0 ft. E. & 5.0 ft. N. of NW. cor. of yard fence. OSCC Marker. C/L N. apex on farmhouse about 2 mi. in azimuth $22^{\circ}07'41''$; C/L E. apex on farmhouse about 1 mi. in azimuth $87^{\circ}58'46''$; C/L peak Frisco W.T. at Bessie about 3 mi. in azimuth $281^{\circ}02'54''$.
 X-1, 686, 509.91 Lat. $35^{\circ}23'33.5524''$
 Y- 144, 628.64 Long. 99 03 06.1704 El. 1616.474 ft.
 9-J-45 TT 1936; Washita Co., 0.5 mi. N. & 2.47 mi. W. of Bessie; 912.0 ft. W. & 29.0 ft. N. of approx. SE. cor. sec. 30, T11N, R17W; 29.0 ft. N. of C/L Co. road & in range of E. cross fence at farmhouse N. of road; 125.0 ft. E. of E. gate post at private drive to said house. OSCC Marker. C/L S. apex farmhouse about 1 mi. in azimuth $121^{\circ}17'17''$; C/L peak Frisco W.T. at Bessie about 2 mi. in azimuth $285^{\circ}37'07''$; C/L N. apex on farmhouse about 2 mi. in azimuth $322^{\circ}26'12''$.
 X-1, 692, 607.89 Lat. $35^{\circ}23'33.9463''$
 Y- 144, 603.06 Long. 99 01 52.5244 El. 1577.868 ft.
 9-J-46 TT 1936; Washita Co., 0.5 mi. N. & 1.15 mi. W. of Bessie; 937.0 ft. E. & 32.0 ft. S. of approx. NW. cor. sec. 33, T11N, R17W; 32.0 ft. S. of C/L Co. road & in range of W. garden fence (also high line pole) at yellow farmhouse S. of road. OSCC Marker. C/L N. apex on farmhouse about 2.5 mi. in azimuth $28^{\circ}21'41''$; C/L E. apex on farmhouse about 2.5 mi. in azimuth 148°

35°41"; C/L peak Frisco W.T. about 1 mi. in azimuth 298°27'26".

X-1,699,576.20

Lat. 35°23'33.2351"

Y- 144,457.96

Long. 99 00 28.3526

El. 1573.947 ft.

9-J-47 TT 1936; Washita Co., At N. side of Bessie; near SW. SE. SW. sec. 27, T11N, R17W; 71.9 ft. W. of C/L N-S Main St., 29.3 ft. N. of C/L Co. road; in range of most westerly lot fence at farmhouse of John Sair; 3.5 ft. S. of its S. cor. OSCC Marker. C/L chimney on farmhouse about 4 mi. in azimuth 78°43'40"; C/L S. apex on farmhouse about 2 mi. in azimuth 118°40'03"; C/L W. apex on farmhouse about 2 mi. in azimuth 274°58'05".

X-1,705,529.70

Lat. 35°23'33.7243"

Y- 144,446.23

Long. 98 59 16.4531

El. 1574.783 ft.

9-D-77 TT 1936; Junction Station. See Traverse 9-D.

9-J-48 TT 1936; Washita Co., 0.5 mi. S. & 1.5 mi. E. of Bessie; 44.0 ft. S. & 41.0 ft. W. of approx. NE. cor. sec. 2, T10N, R17W; 8.0 ft. S. & 8.0 ft. W. of R/W fence line. OSCC Marker. C/L peak Frisco W.T. about 1.5 mi. in azimuth 102°19'41"; C/L S. apex on farmhouse about 0.5 mi. in azimuth 193°57'54"; C/L W. apex on farmhouse about 2 mi. in azimuth 284°21'04".

X-1,714,330.24

Lat. 35°22'40.8604"

Y- 139,012.56

Long. 98 57 29.5243

El. 1538.434 ft.

9-J-49 TT 1936; Washita Co., 0.5 mi. S. & 3.0 mi. E. of Bessie; 2.0 ft. W. & 26.0 ft. N. of approx. S $\frac{1}{2}$ cor. sec. 31, T11N, R17W; 26.0 ft. N. of C/L Co. road; in range of $\frac{1}{2}$ sec. fence S. OSCC Marker. C/L tip of spire on Lutheran Church in Bessie about 2.5 mi. in azimuth 111°17'00"; C/L W. apex on farmhouse about 0.5 mi. in azimuth 260°37'45"; C/L N. apex on farmhouse about 1.5 mi. in azimuth 347°17'52".

X-1,722,104.59

Lat. 35°22'41.4268"

Y- 138,998.12

Long. 98 55 55.6516

El. 1532.463 ft.

9-J-50 TT 1936; Washita Co., 0.5 mi. S. & 4.3 mi. E. of Bessie; near approx. NW. cor. NE. sec. 5, T10N, R16W; 23.0 ft. S. of C/L Co. road in range of W. side of brick farmhouse N. of road; 127.0 ft. E. of cross fence S. OSCC Marker. C/L peak Washita Co. C.H. dome in Cordell about 15 mi. in azimuth 37°30'35"; C/L tip of spire on Lutheran Church in Bessie about 3.5 mi. in azimuth 105°17'20"; C/L W. apex on farmhouse about 1.5 mi. in azimuth 335°42'35".

X-1,728,861.39

Lat. 35°22'41.1544"

Y- 138,902.52

Long. 98 54 34.0557

El. 1554.958 ft.

9-J-51 TT 1936; Washita Co., 0.5 mi. S. & 5.75 mi. E. of Bessie; near approx. SE. cor. SW. SW. sec. 34, T11N, R16W; 28.0 ft. N. of C/L Co. road in range of cross fence (40 acre) to N., 5.0 ft. S. of its cor. OSCC Marker. C/L E. apex on farmhouse about 2.5 mi. in azimuth 54°42'07"; C/L chimney on farmhouse about 2 mi. in azimuth 175°30'20"; C/L chimney on sq. top farmhouse about 3 mi. in azimuth 262°00'02".

X-1,736,537.08

Lat. 35°22'41.7819"

Y- 138,895.08

Long. 98 53 01.3746

El. 1528.170 ft.

9-J-52 TT 1936; Washita Co., 0.5 mi. S. & 7.65 mi. E. of Bessie; 534.0 ft. E. & 23.0 ft. S. of approx. NW. cor. sec. 1, T10N, R16W; 23.0 ft. S. of C/L Co. road. OSCC Marker. C/L N. apex on farmhouse about 3 mi. in azimuth 36°07'25"; C/L S. apex on farmhouse about 1.5 mi. in azimuth 126°00'32"; C/L W. apex on farmhouse about 7 mi. in azimuth 321°23'00".

X-1,746,456.57

Lat. 35°22'41.3096"

Y- 138,758.73

Long. 98 51 01.5863

El. 1502.486 ft.

9-J-53 TT 1936; Washita Co., 0.5 mi. S. & 8.25 mi. E. of Bessie; 1000.0 ft. W. & 29.3 ft. N. of approx. SE. cor. sec. 36, T11N, R16W; 29.3 ft. N. of C/L Co. road; 4.0 ft. S. of high line pole. OSCC Marker. C/L E. apex on farmhouse about 0.5 mi. in azimuth 83°50'01"; C/L S. apex on farmhouse about 1 mi. in azimuth 187°45'06"; C/L W. apex on farmhouse about 2 mi. in azimuth 302°54'28".

X-1,749,969.24

Lat. 35°22'41.8036"

Y- 138,778.12

Long. 98 50 19.1742

El. 1524.891 ft.

9-J-54 TT 1936; Washita Co., 0.5 mi. S. & 10.3 mi. E. of Bessie; 1.2 mi. W. of Corn; 925.0 ft. W. & 33.0 ft. S. of approx. NE. cor. sec. 5, T10N, R15W;

33.0 ft.S.of C/L road; 9.4 ft.S.of tel.pole line S.of road; 17.5 ft.E.of pole. OSCC Marker. C/L N.apex on farmhouse about 1 mi.in azimuth $82^{\circ}31'17''$; C/L S.apex on farmhouse about 1 mi.in azimuth $123^{\circ}26'59''$; C/L tip of spire on N.dome of Mennonite Church in Corn about 1.5 mi.in azimuth $272^{\circ}05'49''$.

X-1,760,657.39 Lat. $35^{\circ}22'40.5959''$
Y- 138,565.66 Long. 98 48 10.0974 El. 1575.768 ft.

9-J-55 TT 1936; Washita Co., 0.35 mi.W.of Corn; near approx.SE.cor. SW.SW.SE.sec.33,T11N,R15W; 27.0 ft.N.of C/L Co.road in front of cotton gin; 90.0 ft.S.& 25.0 ft.W.of SE.cor.said gin. OSCC Marker. C/L E.apex on farmhouse about 1 mi.in azimuth $27^{\circ}33'59''$; C/L E.apex on farmhouse about 1 mi.in azimuth $126^{\circ}48'46''$; C/L tip of spire on N.dome of Mennonite Church about 0.5 mi.in azimuth $278^{\circ}41'11''$.

X-1,765,091.11 Lat. $35^{\circ}22'41.0011''$
Y- 138,570.30 Long. 98 47 16.5622 El. 1577.814 ft.

9-J-56 TT 1936; Washita Co., 0.75 mi.E.of Corn; 1062.0 ft.W.& 29.0 ft.S.of approx.NE.cor.sec.3,T10N,R15W; in range of & 69.6 ft.S.of fence cor.on E.private road fence N.of road. OSCC Marker. C/L tip of spire on N.dome of Mennonite Church about 1.5 mi.in azimuth $89^{\circ}24'49''$; C/L S.apex on farmhouse about 2 mi.in azimuth $123^{\circ}47'12''$; C/L W.apex on farmhouse about 0.5 mi.in azimuth $264^{\circ}08'32''$.

X-1,771,018.39 Lat. $35^{\circ}22'40.0113''$
Y- 138,422.72 Long. 98 46 04.9784 El. 1607.941 ft.

9-J-57 TT 1936; Washita Co., 2.35 mi.E.of Corn; near approx.NW.cor. NE.NE.NW.sec.36,T11N,R15W; 23.8 ft.N.of C/L Co.road. OSCC Marker. C/L S.apex on farmhouse about 3 mi.in azimuth $145^{\circ}08'00''$; C/L S.apex on farmhouse about 0.5 mi.in azimuth $238^{\circ}37'00''$; C/L W.apex on farmhouse about 1 mi.in azimuth $321^{\circ}04'00''$.

X-1,779,442.23 Lat. $35^{\circ}22'40.0675''$
Y- 138,362.99 Long. 98 44 23.2581 El. 1677.753 ft.

9-J-57-A TT 1936; Washita Co., 2.78 mi.E.of Corn; 982.0 ft.W.& 22.8 ft.S.of approx.NE.cor.sec.1,T10N,R15W; 22.8 ft.S.of C/L Co.road; about 0.6 mi.W.of Pleasant Ridge School. Bolt set in 2" pipe filled with & set in conc. C/L E.apex on farmhouse about 2 mi.in azimuth $131^{\circ}36'57''$; C/L chimney on sq.top house about 5 mi.in azimuth $221^{\circ}10'12''$; C/L N.apex on farmhouse about 2 mi.in azimuth $337^{\circ}30'57''$.

X-1,781,679.17 Lat. $35^{\circ}22'39.3944''$
Y- 138,277.98 Long. 98 43 56.2401 El. 1681.476 ft.

9-J-58 TT 1936; Washita Co., 3.38 mi.E.of Corn; near approx.SW.cor. SE.SW.sec.31,T11N,R14W; 36.0 ft.N.of C/L Co.road in front of Pleasant Ridge Schoolhouse; 45.0 ft.S.& in range with SW.cor.of said school bldg. OSCC Marker. C/L N.apex on farmhouse about 0.75 mi.in azimuth $26^{\circ}33'08''$; C/L E.apex on farmhouse about 0.5 mi.in azimuth $129^{\circ}16'46''$; C/L chimney on farmhouse about 2.5 mi.in azimuth $334^{\circ}05'03''$.

X-1,784,736.10 Lat. $35^{\circ}22'39.8010''$
Y- 138,296.19 Long. 98 43 19.3303 El. 1669.778 ft.

9-J-59 TT 1936; Washita Co., 4.2 mi.E.of Corn; 2.0 mi.N.& 1.8 mi. W.of Colony; near approx.NE.cor.NW.NW.sec.5,T10N,R14W; 32.0 ft.S.of C/L Co.road; 93.0 ft.W.of cross fence S. OSCC Marker. C/L N.apex on farmhouse about 2.5 mi.in azimuth $58^{\circ}54'59''$; C/L S.apex on farmhouse about 0.5 mi.in azimuth $159^{\circ}47'29''$; C/L chimney on sq.top farmhouse about 4 mi.in azimuth $204^{\circ}25'04''$.

X-1,789,168.69 Lat. $35^{\circ}22'38.9545''$
Y- 138,177.97 Long. 98 42 25.7981 El. 1635.552 ft.

9-J-60 TT 1936; Washita Co., 4.8 mi.E.of Corn; 2.0 mi.N.& 1.2 mi. W.of Colony; 1100.0 ft.W.& 36.0 ft.N.of approx. SE.cor.sec.32,T11N,R14W; 36.0 ft.N.of C/L Co.road; in range of cross fence N. OSCC Marker. C/L S.apex on farmhouse about 1.5 mi.in azimuth $122^{\circ}42'19''$; C/L S.apex on farmhouse about 2.5 mi.in azimuth $186^{\circ}24'02''$; C/L W.apex on farmhouse about 1 mi.in azimuth $293^{\circ}35'29''$.

X-1,792,299.82 Lat. $35^{\circ}22'39.3875''$
Y- 138,199.11 Long. 98 41 47.9926 El. 1588.087 ft.

9-J-61 TT 1936; Washita Co., 5.7 mi.E. & 0.3 mi.N. of Corn; 2.3 mi. N. & 0.3 mi.W. of Colony; near approx. SW. cor. NE. SE. sec. 33, T11N, R14W; on top of prominent knoll in pasture; about 0.25 mi. N. of small farmhouse; 54.0 ft. E. of field fence. OSCC Marker. C/L E. apex on main roof of farmhouse about 1 mi. in azimuth $52^{\circ}58'34''$; C/L E. apex on farmhouse about 2.5 mi. in azimuth $94^{\circ}56'12''$; C/L N. apex on farmhouse about 2 mi. in azimuth $312^{\circ}09'42''$.

X-1, 797, 174.63 Lat. $35^{\circ}22'58.3066''$
Y- 140, 077.55 Long. 98 40 49.2900 El. 1612.020 ft.

21-F-5 TT 1935; Junction Station. See Traverse 21-F.

9-J-62 TT 1936; Washita Co., 2.0 mi. N. & 0.6 mi. E. of Colony; 530.0 ft. E. & 27.0 ft. S. of approx. $N\frac{1}{2}$ cor. sec. 3, T10N, R14W; 27.0 ft. S. of C/L E-W road. OSCC Marker. C/L chimney on sq. top house about 3 mi. in azimuth $75^{\circ}54'09''$; C/L chimney on sq. top farmhouse about 1 mi. in azimuth $181^{\circ}39'14''$; C/L N. apex main roof of farmhouse about 2 mi. in azimuth $274^{\circ}17'49''$.

X-1, 801, 604.91 Lat. $35^{\circ}22'38.4504''$
Y- 138, 039.09 Long. 98 39 55.6235 El. 1592.021 ft.

9-J-63 TT 1936; Washita Co., 2.0 mi. N. & 1.55 mi. E. of Colony; 200.0 ft. E. & 8.0 ft. N. of approx. $S\frac{1}{2}$ cor. sec. 35, T11N, R14W; in N. edge of E-W trail & in range of E. side of houses both N. & S. of trail. OSCC Marker. C/L N. apex on farmhouse about 1 mi. in azimuth $58^{\circ}40'47''$; C/L W. apex on main roof on farmhouse about 0.75 mi. in azimuth $219^{\circ}51'30''$; C/L N. apex farmhouse about 1.5 mi. in azimuth $339^{\circ}41'35''$.

X-1, 806, 496.37 Lat. $35^{\circ}22'38.6648''$
Y- 138, 027.64 Long. 98 38 56.5599 El. 1582.648 ft.

9-J-63-A TT 1936; Washita Co., 2.0 mi. N. & 2.05 mi. E. of Colony; 1040.0 ft. E. & 21.0 ft. S. of approx. $N\frac{1}{2}$ cor. sec. 1, T10N, R14W; 21.0 ft. S. of C/L E-W trail; 150.0 ft. W. & 3.0 ft. N. of cross fence cor. in S.R/W fence. 1/4 in. bolt inverted in conc. cast-in-place. C/L W. apex on farmhouse about 2.5 mi. in azimuth $280^{\circ}22'44''$; C/L W. apex on farmhouse about 2.5 mi. in azimuth $358^{\circ}38'36''$.

X-1, 812, 350.43 Lat. $35^{\circ}22'38.1461''$
Y- 137, 934.66 Long. 98 37 45.8669 El. 1626.998 ft.

9-J-64 TT 1936; Washita Co., 2.0 mi. N. & 2.92 mi. E. of Colony; 11.0 mi. S. & 3.35 mi. W. of US. Hwy. #66 at Hydro, via OK. Hwy. #54 & sec. line trail; in S. edge of field; 530.0 ft. W. & 24.0 ft. N. of approx. SE. cor. sec. 36, T11N, R14W. OSCC Marker. C/L chimney on farmhouse about 4 mi. in azimuth $52^{\circ}36'27''$; C/L W. apex on Poage School about 1.5 mi. in azimuth $288^{\circ}18'35''$; C/I chimney on farmhouse about 2 mi. in azimuth $354^{\circ}59'25''$.

X-1, 813, 671.03 Lat. $35^{\circ}22'38.4711''$
Y- 137, 960.99 Long. 98 37 29.9230 El. 1618.748 ft.

9-J-65 TT 1936; Caddo Co., 2.0 mi. N. & 4.0 mi. E. of Colony; 11.0 mi. S. & 2.0 mi. W. of US. Hwy. #66 at Hydro; 24.0 ft. S. & 30.0 ft. W. of approx. NE. cor. sec. 6, T10N, R13W; 54.0 ft. E. of J.W. Ellis farmhouse. OSCC Marker. C/L N. apex on Poage School about 0.5 mi. in azimuth $01^{\circ}04'59''$; C/L E. apex on farmhouse about 1.5 mi. in azimuth $126^{\circ}18'22''$; C/L S. apex on farmhouse about 1.5 mi. in azimuth $199^{\circ}36'02''$.

X-1, 819, 365.19 Lat. $35^{\circ}22'38.1149''$
Y- 137, 888.87 Long. 98 36 21.1624 El. 1519.696 ft.

9-J-66 TT 1936; Caddo Co., 11.0 mi. S. & 0.22 mi. E. of US. Hwy. #66 at Hydro; near approx. SE. cor. SW. SW. sec. 34, T11N, R13W; 21.0 ft. N. of C/L E-W trail. OSCC Marker. C/L E. apex on Poage School about 1.5 mi. in azimuth $81^{\circ}24'58''$; C/L S. apex on farmhouse about 2.5 mi. in azimuth $119^{\circ}10'33''$; C/L W. apex on farmhouse about 1 mi. in azimuth $295^{\circ}51'13''$.

X-1, 831, 117.34 Lat. $35^{\circ}22'38.5394''$
Y- 137, 860.85 Long. 98 33 59.2569 El. 1678.010 ft.

9-J-67 TT 1936; Caddo Co., 11.0 mi. S. & 0.9 mi. E. of US. Hwy. #66 at Hydro; 780.0 ft. W. & 25.0 ft. S. of approx. NE. cor. sec. 3, T10N, R13W; 25.0 ft. S. & of C/L E-W sec. line trail; S. of W. field gate post in N.R/W fence. OSCC Marker. C/L N. apex on farmhouse about 1.5 mi. in azimuth $42^{\circ}36'31''$; C/L S. apex on farmhouse about 2.5 mi. in azimuth $236^{\circ}15'44''$; C/L W. apex

- on farmhouse about 2 mi. in azimuth $305^{\circ}46'51''$.
 X-1,834,457.99 Lat. $35^{\circ}22'38.0251''$
 Y- 137,789.54 Long. 98 33 18.9144 El. 1650.200 ft.
 9-J-68 TT 1936; Caddo Co., 11.0 mi. S. & 2.25 mi. E. of US Hwy. #66 at Hydro; 9.75 mi. W. & 1.0 mi. N. of Lookeba; near approx. SE. cor. SW. sec. 36, T11N, R13W; 22.0 ft. N. of C/L E-W sec. line trail; 47.0 ft. W. & 42.0 ft. N. of 40 acre cross fence cor. S. of trail. OSCC Marker. C/L E. apex on farmhouse about 1 mi. in azimuth $69^{\circ}38'01''$; C/L S. apex on farmhouse about 1 mi. in azimuth $163^{\circ}16'24''$; C/L W. apex on farmhouse about 2 mi. in azimuth $239^{\circ}13'56''$.
- X-1,841,761.93 Lat. $35^{\circ}22'38.5517''$
 Y- 137,801.94 Long. 98 31 50.7223 El. 1548.846 ft.
 9-J-69 TT 1936; Caddo Co., 11.0 mi. S. & 3.4 mi. E. of US Hwy. #66 at Hydro; 8.6 mi. W. & 1.0 mi. N. of Lookeba; 485.0 ft. W. & 26.0 ft. S. of approx. $N\frac{1}{4}$ cor. sec. 6, T10N, R12W; 26.0 ft. S. of C/L E-W sec. line trail; on top of 6.0 ft. sandy cut-bank between two 6 in. blazed oak trees. OSCC Marker. C/L W. apex on farmhouse about 1.5 mi. in azimuth $31^{\circ}45'58''$; C/L E. apex on farmhouse about 2 mi. in azimuth $120^{\circ}50'40''$; C/L N. apex on farmhouse about 2 mi. in azimuth $311^{\circ}03'18''$.
- X-1,847,770.85 Lat. $35^{\circ}22'37.8472''$
 Y- 137,698.48 Long. 98 30 38.1594 El. 1571.927 ft.
 9-J-70 TT 1936; Caddo Co., 11.0 mi. S. & 4.35 mi. E. of US Hwy. #66 at Hydro; 7.65 mi. W. & 1.0 mi. N. of Lookeba; 735.0 ft. W. & 24.0 ft. N. of approx. $S\frac{1}{4}$ cor. sec. 32, T11N, R12W; 24.0 ft. N. of C/L E-W sec. line trail in range of W. side of farmhouse S. of trail. OSCC Marker. C/L chimney on farmhouse about 3 mi. in azimuth $64^{\circ}05'03''$; C/L S. apex on farmhouse about 2.5 mi. in azimuth $118^{\circ}13'53''$; C/L S. apex on farmhouse about 2 mi. in azimuth $236^{\circ}05'30''$.
- X-1,852,805.32 Lat. $35^{\circ}22'38.3762''$
 Y- 137,725.92 Long. 98 29 37.3712 El. 1601.668 ft.
 9-J-71 TT 1936; Caddo Co., 11.0 mi. S. & 5.82 mi. E. of US Hwy. #66 at Hydro; 6.18 mi. W. & 1.0 mi. N. of Lookeba; 890.0 ft. W. & 26.0 ft. S. of approx. NE. cor. sec. 4, T10N, R12W; 26.0 ft. S. of C/L E-W trail & in range of farm lot fence to N. OSCC Marker. C/L E. apex on farmhouse about 2.5 mi. in azimuth $17^{\circ}22'35''$; C/L S. apex on farmhouse about 2.5 mi. in azimuth $117^{\circ}40'35''$; C/L S. apex on farmhouse about 0.5 mi. in azimuth $257^{\circ}44'53''$.
- X-1,860,551.89 Lat. $35^{\circ}22'37.9695''$
 Y- 137,646.44 Long. 98 28 03.8286 El. 1646.382 ft.
 9-J-72 TT 1936; Caddo Co., 5.7 mi. W. & 1.0 mi. N. of Lookeba; 5.0 mi. N. & 5.3 mi. E. of Eakley; near approx. SW. cor. SE. SW. sec. 34, T11N, R12W; 26.0 ft. N. of C/L E-W sec. line trail; 127.5 ft. W. of W. side of farm road N. of trail; in range of W. side of red barn about 500.0 ft. N. of road. OSCC Marker. C/L E. apex on farmhouse about 6 mi. in azimuth $86^{\circ}03'42''$; C/L S. apex on farmhouse about 1 mi. in azimuth $166^{\circ}46'32''$; C/L N. apex on farmhouse about 1 mi. in azimuth $349^{\circ}12'32''$.
- X-1,862,882.86 Lat. $35^{\circ}22'38.6021''$
 Y- 137,699.27 Long. 98 27 35.6856 El. 1651.467 ft.
 9-J-73 TT 1936; Caddo Co., 5.0 mi. W. & 1.1 mi. N. of Lookeba; 5.1 mi. N. & 6.0 mi. E. of Eakley; on top of prominent shale knoll; 515.0 ft. N. & 99.0 ft. W. of approx. SE. cor. sec. 34, T11N, R12W. OSCC Marker in "rock ring". C/L apex E. porch on farmhouse about 1.5 mi. in azimuth $68^{\circ}59'24''$; C/L S. apex on farmhouse about 1 mi. in azimuth $132^{\circ}09'04''$; C/L peak Hinton W.T. about 8 mi. in azimuth $218^{\circ}59'04''$.
- X-1,866,627.22 Lat. $35^{\circ}22'44.4160''$
 Y- 138,269.64 Long. 98 26 50.5050 El. 1690.461 ft.
 9-J-74 TT 1936; Caddo Co., 4.6 mi. W. of Lookeba; 0.4 mi. E. of Midway Cor. Filling Sta. & Store; near approx. SW. cor. SE. SW. sec. 2, T10N, R12W; 37.0 ft. N. of C/L Co. road on top of 7.0 ft. cutbank; 176.0 ft. W. of C/L private drive to farmhouse N. of road. OSCC Marker. C/L N. apex on Sickloe School about 0.5 mi. in azimuth $71^{\circ}30'53''$; C/L S. apex on farmhouse about 1.5 mi. in azimuth $135^{\circ}08'33''$; C/L W. apex on farmhouse about 2 mi. in azimuth $345^{\circ}06'33''$.

- X-1,868,741.37 Lat. 35°21'47.3462"
 Y- 132,489.46 Long. 98 26 24.6601 El. 1658.666 ft.
 9-J-75 TT 1936; Caddo Co., 4.2 mi.W.of Lookeba; near approx.NW.cor.
 NE.NE.sec.11,T10N,R12W; 27.0 ft.S.of C/L Co.road; 24.0 ft.W.of C/L cedar
 line, private drive to S. OSCC Marker. C/L E.apex on farmhouse about 0.5
 mi.in azimuth 70°03'22"; C/L peak Hinton W.T.about 7 mi.in azimuth 210°
 14'37"; C/L W.apex on farmhouse about 0.5 mi.in azimuth 280°21'07".
- X-1,870,875.50 Lat. 35°21'46.9556"
 Y- 132,440.36 Long. 98 25 58.8926 El. 1642.146 ft.
 9-J-76 TT 1936; Caddo Co., 3.0 mi.W.of Lookeba; 37.5 ft.N.& 195.0
 ft.W.of approx.SE.cor.sec.1,T10N,R12W; 37.5 ft.N.of C/L Co.road on top
 of 6 ft.sandy cut-bank; about 200.0 ft.N.& 50.0 ft.E.of small farmhouse.
 OSCC Marker. C/L apex E.porch on house about 1 mi.in azimuth 76°03'00";
 C/L S.apex on farmhouse about 2 mi.in azimuth 132°16'45"; C/L peak of
 Hinton W.T.about 6 mi.in azimuth 203°17'22".
- X-1,876,931.14 Lat. 35°21'47.4144"
 Y- 132,460.37 Long. 98 24 45.7862 El. 1588.882 ft.
 9-J-77 TT 1936; Caddo Co., 1.45 mi.W.of Lookeba; near approx.NW.
 cor.NE.NW.sec.8,T10N,R12W; 30.0 ft.S.of C/L Co.road; on top of 12.0 ft.
 red sandy cutbank; 22.0 ft.E.of C/L private drive to N., just N.of thi-
 cket of trees. OSCC Marker. C/L chimney on sq.top farmhouse about 3 mi.
 in azimuth 41°00'04"; C/L peak Hinton W.T.about 6 mi.in azimuth 194°38'
 14"; C/L W.apex on farmhouse about 2 mi.in azimuth 284°24'24".
- X-1,883,596.52 Lat. 35°21'46.1789"
 Y- 132,307.88 Long. 98 23 25.3100 El. 1537.823 ft.
 9-J-77-A TT 1936; Caddo Co., 0.3 mi.W.of Lookeba; SW.of intersect-
 ion of OK.Hwy.#8 & E-W Co.road; on top of 10.0 ft.sand rock cutbank; 24.0
 ft.E.& 1.0 ft.S.of tel.pole SE.of said intersection; consists of 3/8 in.
 iron rod in conc. cast-in-place & formed at top of inverted tin pail.
- X-1,889,040.20 Lat. 35°21'45.7894"
 Y- 132,247.12 Long. 98 22 19.5878
- 13-A-52 TT 1934; Junction Station. See Traverse 13-A.
- 9-J-78 TT 1936; Caddo Co., 0.75 mi.E.of Lookeba; near approx.NW.NE.
 NW.sec.10,T10N,R11W; 33.0 ft.S.of C/L Co.road on top of 3 ft.sandy bank;
 30.3 ft.W.of C/L private drive N.of road. OSCC Marker. C/L N.apex on
 Lookeba School about 1 mi.in azimuth 59°47'05"; C/L S.apex on farmhouse
 about 3 mi.in azimuth 95°48'23"; C/L W.apex on farmhouse about 0.75 mi.
 in azimuth 297°38'30".
- X-1,894,788.17 Lat. 35°21'46.2216"
 Y- 132,269.36 Long. 98 21 10.1957 El. 1423.732 ft.
 9-J-79 TT 1936; Caddo Co., 2.0 mi.E.of Lookeba; 1625.0 ft.W.& 25.0
 ft.N.of approx.SE.cor.sec.2,T10N,R11W; 25.0 ft.N.of C/L Co.road; 32.0
 ft.E.& 3.0 ft.S.of high line pole. OSCC Marker. C/L chimney on farmhouse
 about 5 mi.in azimuth 87°33'27"; C/L chimney on farmhouse about 2 mi.in
 azimuth 156°42'59"; C/L chimney on sq.top farmhouse about 2.5 mi.in azi-
 muth 328°37'37".
- X-1,901,834.68 Lat. 35°21'46.8537"
 Y- 132,308.52 Long. 98 19 45.1273 El. 1510.380 ft.
 9-J-79-A TT 1936; Caddo Co., 2.5 mi.E.& 0.3 mi.N.of Lookeba; 1333.0
 ft.N.& 25.0 ft.E.of approx.SW.cor.sec.1,T10N,R11W; 1½ in.steel axle set
 in conc. cast-in-place. C/L N.apex on stucco farmhouse about 0.5 mi.in
 azimuth 61°53'59"; C/L E.apex on farmhouse about 0.5 mi.in azimuth 307°
 49'01".
- X-1,903,494.43 Lat. 35°21'59.8003"
 Y- 133,612.02 Long. 98 19 25.1421
- 9-J-80 TT 1936; Caddo Co., 2.8 mi.E.& 1.0 mi.N.of Lookeba; 1465.0
 ft.E.& 29.0 ft.N.of approx.SW.cor.sec.36,T11N,R11W; 2.5 ft.N.& 2.5 ft.
 W.of 12 in.cedar braced post in N.R/W fence of Co.road; in edge of field.
 OSCC Marker. C/L S.apex on farmhouse about 1.5 mi.in azimuth 122°29'58";
 C/L chimney on sq.top farmhouse about 1 mi.in azimuth 205°37'28"; C/L
 W.apex on farmhouse about 2 mi.in azimuth 256°14'30".
- X-1,904,912.85 Lat. 35°22'38.3876"
 Y- 137,509.00 Long. 98 19 08.1718 El. 1549.482 ft.

- 9-J-81 TT 1936; Caddo Co., 3.33 mi.E. & 1.0 mi.N. of Lookeba; 33.0 ft.S. of C/L Co. road; near center of plumb thicket, on S. side of road; 90.0 ft.W. of C/L private road N., 52.0 ft.W. of cedar rural tel. pole. OSCC Marker. C/L W. apex on farmhouse about 2 mi. in azimuth $318^{\circ}01'44''$.
 X-1, 907, 727.82 Lat. $35^{\circ}22'37.5268''$
 Y- 137, 412.85 Long. $98 18 34.1777$ El. 1532.006 ft.
- 9-J-82 TT 1936; Caddo Co., 4.32 mi.E. & 1.0 mi.N. of Lookeba; in the approx. NE. NE. sec. 6, T10N, R10W; about 200.0 ft.N. of C/L Co. road; 192.0 ft. N. of 18" corrugated iron pipe culvert under road; on top of red rock ridge near hackberry blazed trail to monument. OSCC Marker. C/L S. apex on farmhouse about 1.5 mi. in azimuth $146^{\circ}28'55''$.
 X-1, 913, 273.69 Lat. $35^{\circ}22'32.5383''$
 Y- 136, 891.30 Long. $98 17 27.1932$ El. 1599.282 ft.
- 9-J-83 TT 1936; Caddo Co., 4.7 mi.E. & 0.6 mi.N. of Lookeba; via Co. road; near center SW. NW. sec. 5, T10N, R10W; 0.25 mi.E. & 0.15 mi.S. of jct. of roads N. of Snow White School; near S. end of pasture knoll; 80.0 ft. N. of black jack timber. OSCC Marker. C/L NE. cor. school bldg. about 0.25 mi. in azimuth $28^{\circ}06'23''$; C/L S. apex on large barn about 0.5 mi. in azimuth $233^{\circ}17'43''$; C/L N. apex on farmhouse about 0.75 mi. in azimuth $284^{\circ}25'23''$.
 X-1, 914, 913.23 Lat. $35^{\circ}22'22.9396''$
 Y- 135, 915.88 Long. $98 17 07.3620$ El. 1631.241 ft.
- 9-J-83-A TT 1936; Caddo Co., 5.3 mi.E. & 1.0 mi.N. of Lookeba; 526.0 ft.W. & 35.0 ft.S. of approx. NE. cor. sec. 5, T10N, R10W; 35.0 ft.S. of C/L Co. road; "X" marked in end of carriage bolt set in conc. cast-in-place. C/L TWA light beacon about 2 mi. in azimuth $43^{\circ}01'52''$; C/L apex on farmhouse about 0.28 mi. in azimuth $164^{\circ}19'22''$; C/L SW. cor. farmhouse about 0.28 mi. in azimuth $256^{\circ}14'22''$.
 X-1, 918, 567.58 Lat. $35^{\circ}22'37.0843''$
 Y- 137, 335.59 Long. $98 16 23.2868$
- 9-J-84 TT 1936; Canadian Co., 5.65 mi.E. & 1.0 mi.N. of Lookeba; 1020.0 ft.E. & 25.0 ft.N. of approx. SW. cor. sec. 33, T11N, R10W; 25.0 ft.N. of C/L Co. road; 60.0 ft.W. of cross. fence N., in edge of thicket. OSCC Marker. C/L SE. cor. farmhouse about 0.25 mi. in azimuth $79^{\circ}58'22''$; C/L E. apex on farmhouse about 0.5 mi. in azimuth $120^{\circ}40'22''$; C/L W. apex on stucco farmhouse about 0.25 mi. in azimuth $282^{\circ}39'52''$.
 X-1, 920, 113.65 Lat. $35^{\circ}22'37.4648''$
 Y- 137, 369.75 Long. $98 16 04.6194$ El. 1648.223 ft.
- 9-J-85 TT 1936; Caddo Co., 7.2 mi.E. & 1.0 mi.N. of Lookeba; 0.4 mi. W. of Scott Store; near approx. NE. cor. NW. NE. sec. 3, T10N, R10W; 33.0 ft.S. of C/L Co. road, in range of E. garden fence E. of C.R. Godfrey home. OSCC Marker. C/L N. gable on farm bungalow about 0.04 mi. in azimuth $62^{\circ}18'59''$; C/L S. gable on farmhouse about 1.75 mi. in azimuth $141^{\circ}34'29''$; C/L W. gable of gin at Scott's Cor. about 0.25 mi. in azimuth $278^{\circ}51'59''$.
 X-1, 927, 741.68 Lat. $35^{\circ}22'35.7742''$
 Y- 137, 178.76 Long. $98 14 32.5062$ El. 1612.077 ft.
- 9-J-86 TT 1936; Caddo Co., 8.4 mi.E. & 1.0 mi.N. of Lookeba; 743.0 ft.W. & 33.0 ft.S. of approx. NE. cor. sec. 2, T10N, R10W; 33.0 ft.S. of C/L Co. road between two heavy growths of black jack timber. OSCC Marker. C/L E. apex on farmhouse about 1.5 mi. in azimuth $31^{\circ}25'52''$; C/L NE. cor. gin about 0.5 mi. in azimuth $87^{\circ}43'22''$; C/L W. apex on farmhouse about 1 mi. in azimuth $270^{\circ}30'52''$.
 X-1, 934, 081.59 Lat. $35^{\circ}22'35.9754''$
 Y- 137, 183.97 Long. $98 13 15.9536$ El. 1620.260 ft.
- 9-J-87 TT 1936; Canadian Co., 9.1 mi.E. & 1.0 mi.N. of Lookeba; 340.0 ft.E. & 33.0 ft.N. of approx. S $\frac{1}{2}$ cor. sec. 36, T11N, R10W; 33.0 ft.N. of C/L E-W trail; 18.0 ft.E. & 2.0 ft.S. of E. gate post in N. field gate. OSCC Marker. C/L N. apex on farmhouse about 0.06 mi. in azimuth $32^{\circ}13'36''$; C/L N. apex on farmhouse on hill about 0.25 mi. in azimuth $307^{\circ}48'06''$.
 X-1, 937, 801.42 Lat. $35^{\circ}22'36.6715''$
 Y- 137, 246.13 Long. $98 12 31.0391$ El. 1586.834 ft

9-J-88 TT 1936; Caddo Co., 10.4 mi.E. & 1.0 mi.N. of Lookeba; 13.8 mi.W. & 3.0 mi.N. of jct.US.Hwy.#81 & OK.Hwy.#41; 565.0 ft.W. & 27.0 ft.S. of approx.NE.cor.sec.6,T11N,R9W; 27.0 ft.S. of C/L E-W trail. OSCC Marker. C/L N.apex on farmhouse about ~~0.25~~ mi.in azimuth $67^{\circ}20'30''$; C/L SE.cor. farmhouse about 0.25 mi.in azimuth $95^{\circ}00'30''$.

X-1,944,675.72 Lat. $35^{\circ}22'36.8137''$

Y- 137,246.55 Long. 98 11 08.0331 El. 1539.048 ft.

9-J-88-A TT 1936; Caddo Co., 10.5 mi.E. & 0.65 mi.N. of Lookeba; 13.8 mi.W. & 2.6 mi.N. of jct.US.Hwy.#81 & OK.Hwy.#41 N. of Minco; 25.0 ft. E. of C/L N-S sec.line trail; 126.0 ft.N. of cross fence to W., 2.0 ft.W. of E.R/W fence. Bolt in collar set in & filled with conc. C/L SE.cor.sq. farmhouse about 0.5 mi.in azimuth $90^{\circ}06'50''$; C/L SE.cor.farmhouse about 0.5 mi.in azimuth $137^{\circ}14'40''$; C/L NW.cor.sq.farmhouse about 0.25 mi. in azimuth $359^{\circ}03'40''$.

X-1,945,266.86 Lat. $35^{\circ}22'17.9642''$

Y- 135,339.50 Long. 98 11 00.8514

9-J-89 TT 1936; Canadian Co., 10.5 mi.E. & 3.1 mi.N. of Lookeba; 13.8 mi.W. & 5.1 mi.N. of jct.US.Hwy.#81 & OK.Hwy.#41 N. of Minco; near approx. NE.cor.SE.sec.19,T11N,R9W; 25.0 ft.W. of C/L N-S sec.line trail; 36.0 ft. N. of cross fence W. OSCC Marker. C/L N.apex on farmhouse about 0.19 mi. in azimuth $02^{\circ}55'17''$; C/L E.gable on farmhouse about 0.28 mi.in azimuth $64^{\circ}19'17''$; C/L W.apex on farmhouse about 0.5 mi.in azimuth $185^{\circ}22'47''$.

X-1,945,105.37 Lat. $35^{\circ}24'27.1707''$

Y- 148,404.20 Long. 98 11 03.1010 El. 1608.751 ft.

9-J-90 TT 1936; Canadian Co., 12.0 mi.E. & 3.0 mi.N. of Lookeba; 12.3 mi.W. & 5.0 mi.N. of jct.US.Hwy.#81 & OK.Hwy.#41 N. of Minco; 70.0 ft.W. & 25.0 ft.S. of approx.N $\frac{1}{4}$ cor.sec.28,T11N,R9W; 65.0 ft.W. of C/L Co.road on curve to S., 2.5 ft.S. of S.R/W fence in field. OSCC Marker. C/L E. apex on farmhouse about 0.25 mi.in azimuth $78^{\circ}04'01''$; C/L E.gable on Mayflower School about 0.25 mi.in azimuth $99^{\circ}44'01''$; C/L W.apex on farmhouse about 0.25 mi.in azimuth $260^{\circ}22'01''$.

X-1,952,776.82 Lat. $35^{\circ}24'21.7890''$

Y- 147,846.52 Long. 98 09 30.4229 El. 1595.019 ft.

9-J-91 TT 1936; Canadian Co., 12.0 mi.E. & 2.5 mi.N. of Lookeba; 12.3 mi.W. & 4.5 mi.N. of jct.US.Hwy.#81 & OK.Hwy.#41 N. of Minco; 100.0 ft.E. & 25.0 ft.N. of approx.center sec.28,T11N,R9W; 25.0 ft.N. of C/L Co.road just E. of angle to NE., in range of & 75.0 ft.E. of E.end of $\frac{1}{2}$ sec.fence W. of road. OSCC Marker. C/L E.apex on 2 room farmhouse about 0.75 mi.in azimuth $155^{\circ}26'35''$; C/L El Reno Reformatory School W.T.about 12 mi. in azimuth $248^{\circ}27'35''$; C/L El Reno W.T.about 15 mi.in azimuth $260^{\circ}00'45''$.

X-1,953,150.14 Lat. $35^{\circ}23'56.1280''$

Y- 145,251.25 Long. 98 09 25.8622 El. 1596.120 ft.

9-J-91-A TT 1936; Canadian Co., 13.9 mi.E. & 2.5 mi.N. of Lookeba; 11.5 mi.W. & 4.5 mi.N. of jct.US.Hwy.#81 & OK.Hwy.#41 N. of Minco; 1395.0 ft.E. of approx.W $\frac{1}{2}$ cor.sec.27,T11N,R9W; 22.0 ft.S. of C/L $\frac{1}{2}$ sec.line road; 44.0 ft.W. of W.gate post in fence N. of road; 456.0 ft.E. of E.range of white farmhouse N. of road; 1.0 ft.S. of S.R/W fence. Iron rod marked with cross on top about 4 in.above ground.

X-1,957,026.21 Lat. $35^{\circ}23'55.8583''$

Y- 145,217.97 Long. 98 08 39.0462

9-J-92 TT 1936; Canadian Co., 13.1 mi.E. & 2.0 mi.N. of Lookeba; 11.2 mi.W. & 4.0 mi.N. of jct.US.Hwy.#81 & OK.Hwy.#41 N. of Minco; about 0.1 mi. W. of Co.road angle to N. or E., near approx.SW.cor.SE.sec.27,T11N,R9W; approx. 0.2 mi.W. of dugout on N. side of road); 18.0 ft.N. of C/L E-W sec. line trail. OSCC Marker. C/L NE.cor.sq.farmhouse about 0.28 mi.in azimuth $73^{\circ}17'21''$; C/L El Reno W.T.about 15 mi.in azimuth $229^{\circ}28'51''$; C/L TWA light beacon about 3.5 mi.in azimuth $294^{\circ}41'21''$.

X-1,958,890.85 Lat. $35^{\circ}23'30.5443''$

Y- 142,655.71 Long. 98 08 16.4801 El. 1579.986 ft.

9-J-93 TT 1936; Canadian Co., 13.9 mi.E. & 1.5 mi.N. of Lookeba; 10.4 mi.W. & 3.5 mi.N. of jct.US.Hwy.#81 & OK.Hwy.#41 N. of Minco; 35.0 ft.

W.& 25.0 ft.N.of approx.center sec.35,T11N,R9W; 25.0 ft.N.of C/L Co. road in S.edge of field; about 0.4 mi.W.of sq.farmhouse S.of road; OSCC Marker. C/L SE.cor.farmhouse about 2 mi.in azimuth $34^{\circ}54'51''$; C/L SW.cor.sq.farmhouse about 0.25 mi.in azimuth $274^{\circ}47'51''$; C/L TWA light beacon about 2 mi.in azimuth $292^{\circ}05'51''$.

X-1,963,005.61 Lat. $35^{\circ}23'05.0252''$

Y- 140,069.45 Long. 98 07 26.7466 El. 1559.180 ft.

9-J-93-A TT 1936; Canadian Co., 14.65 mi.E.& 1.0 mi.N.of Lookeba; 9.6 mi.W.& 3.0 mi.N.of jct.US.Hwy.#81 & OK.Hwy.#41 N.of Minco; near approx. SW.cor.SE.SW.SW.sec.36,T11N,R9W; 27.0 ft.N.of C/L Co.road; in S.edge of field; 12.0 ft.E.& 3.0 ft.N.of W.farm gate post in N.R/W fence. Cross marked bolt in 4 in.iron collar set in conc. C/L SE.cor.sq.farmhouse about 0.75 mi.in azimuth $134^{\circ}04'46''$; C/L SW.cor.farmhouse about 0.25 mi.in azimuth $264^{\circ}43'16''$; C/L TWA light beacon about 1 mi.in azimuth $286^{\circ}39'16''$.

X-1,967,013.40 Lat. $35^{\circ}22'39.5732''$

Y- 137,491.50 Long. 98 06 38.3124 El. 1517.851 ft.

9-J-94 TT 1936; Canadian Co., 8.6 mi.W.& 3.0 mi.N.of jct.US.Hwy.#81 & OK.Hwy.#41 N.of Minco; 287.0 ft.E.& 23.0 ft.N.of approx.SW.cor.sec.31,T11N,R8W; 23.0 ft.N.of C/L Co.road; 454.0 ft.W.of range of W.side of faded brown house N.of road; 25.0 ft.W.of rural tel.pole on top of hill. OSCC Marker. C/L N.apex on farmhouse about 0.25 mi.in azimuth $13^{\circ}55'05''$; C/L E.apex on church about 2.25 mi.in azimuth $125^{\circ}15'05''$; C/L TWA light beacon about 1 mi.in azimuth $302^{\circ}59'05''$.

X-1,971,754.60 Lat. $35^{\circ}22'39.9850''$

Y- 137,528.11 Long. 98 05 41.0636 El. 1527.303 ft.

9-J-95 TT 1936; Canadian Co., 8.2 mi.W.& 3.0 mi.N.of intersection US.Hwy.#81 & OK.Hwy.#41 N.of Minco; 275.0 ft.E.& 28.0 ft.N.of approx. S $\frac{1}{2}$ cor.sec.31,T11N,R8W; 28.0 ft.N.of C/L Co.road. OSCC Marker. C/L top of cor.on roof on farmhouse about 0.5 mi.in azimuth $305^{\circ}13'33''$; C/L TWA light beacon about 1 mi.in azimuth $327^{\circ}29'03''$.

X-1,974,186.02 Lat. $35^{\circ}22'40.1209''$

Y- 137,539.58 Long. 98 05 11.7038 El. 1512.054 ft.

9-J-96 TT 1936; Grady Co., 7.25 mi.W.& 3.0 mi.N.of intersection US.Hwy.#81 & OK.Hwy.#41 N.of Minco; 245.0 ft.E.& 28.0 ft.S.of approx.N $\frac{1}{2}$ cor.sec.5,T10N,R8W; 28.0 ft.S.of C/L Co.road; 936.0 ft.W.of cross fence S.on top of 1st hill W.of Canadian River flat. OSCC Marker. C/L E.apex on farmhouse, roof showing, about 0.25 mi.in azimuth $185^{\circ}30'12''$; C/L S.apex on farmhouse about 0.25 mi.in azimuth $322^{\circ}41'32''$.

X-1,979,471.98 Lat. $35^{\circ}22'39.6953''$

Y- 137,492.32 Long. 98 04 07.8765 El. 1431.705 ft.

9-J-96-A TT 1936; Grady Co., 7.0 mi.W.& 1.75 mi.N.of jct.US.Hwy.#81 & OK.Hwy.#41; 0.5 mi.N.of Minco; 1332.0 ft.S.& 220.0 ft.W.of approx. NE.cor.sec.8,T10N,R8W; 12.0 ft.N.of cross fence at top of sandy ridge at N.margin of black jack woods; 10.0 ft.NW.of twin 5 in.diam. blazed black jacks, in S.margin of cultivated field belonging to P.K.Ryburn. OSCC Marker.

X-1,981,631.07 Lat. $35^{\circ}21'35.9006''$

Y- 131,040.43 Long. 98 03 41.7556 El. 1538.912 ft.

9-J-97 TT 1936; Canadian Co., 4.0 mi.W.& 1.0 mi.N.of Union City; 67.0 ft.N.& 182.0 ft.E.of approx.SW.cor.sec.19,T11N,R8W; 3.0 ft.E. of school yard fence in pasture; 80.0 ft.E.of Riverside Schoolhouse. OSCC Marker. C/L N.apex on farmhouse about 0.5 mi.in azimuth $69^{\circ}46'34''$; C/L NE.cor.sq.farmhouse about 0.75 mi.in azimuth $118^{\circ}25'04''$; C/L E.apex on farmhouse about 0.5 mi.in azimuth $163^{\circ}39'04''$.

X-1,997,897.45 Lat. $35^{\circ}24'22.7900''$

Y- 147,909.27 Long. 98 00 25.3981 El. 1346.380 ft.

9-J-98 TT 1936; Canadian Co., 3.0 mi.W.of Union City; 80.0 ft.E.& 26.0 ft.N.of approx.SW.cor.sec.29,T11N,R7W; 26.0 ft.N.of C/L Co.road; 1.0 ft.S.of N.R/W fence. OSCC Marker. C/L S.gable on farmhouse about 1.5 mi.in azimuth $217^{\circ}18'20''$; C/L E.apex on farmhouse about 0.2 mi.in azimuth

U. S. Supreme Court
Texas & Oklahoma Boundary Markers

125

121°57'50"; C/L W.apex on farmhouse about 1 mi.in azimuth 195°43'20".
X-2,003,066.34 Lat. 35°23'30.3504"
Y- 142,607.06 Long. 97 59 22.9626 El. 1330.707 ft.
9-J-99 TT 1936; Canadian Co., 1.5 mi.W.of Union City; in approx.NE.
cor.NW.sec.33,T11N,R7W; 36.0 ft.S.of C/L Co.road; 7.0 ft.S.of S.R/W fence;
2.5 ft.W.of cross fence S. OSCC Marker. C/L S.apex on farmhouse
about 0.12 mi.in azimuth 125°05'15"; C/L cross on Union City Catholic
Church in azimuth 258°29'45"; C/L N.apex on farmhouse about 0.5 mi. in
azimuth 327°56'15".
X-2,010,650.43 Lat. 35°23'29.8192"
Y- 142,555.15 Long. 97 57 51.3729 El. 1332.925 ft.
9-J-100 TT 1936; Canadian Co., 1.25 mi.W.of Union City; in approx.
SE.cor.SW.SE.sec.28,T11N,R7W; 35.0 ft.N.of C/L Co.road; 7.0 ft.N.of N.
R/W fence; 2.5 ft.W.of cross fence N. OSCC Marker. C/L N.apex on farm
house about 0.2 mi.in azimuth 81°36'04"; C/L E.apex on farmhouse about
0.25 mi.in azimuth 92°52'34"; C/L S.apex on farmhouse about 0.5 mi. in
azimuth 200°22'04".
X-2,012,363.36 Lat. 35°23'30.5080"
Y- 142,625.47 Long. 97 57 30.6854 El. 1324.472 ft.
9-J-101 TT 1936; Canadian Co., 0.5 mi.W.& 0.5 mi.S.of Union City;
at approx.center sec.33,T11N,R7W; 2.5 ft.S.& 5.0 ft.E.of cor.fence post
at intersection of E-W $\frac{1}{2}$ mi.fence with E.land fence of private drive to
farm home of Dude Dixon. OSCC Marker. C/L NE.apex of Dude Dixon farm
home in azimuth 45°23'50"; C/L cross on Union City Catholic Church in
azimuth 197°30'50"; C/L W.apex on house about 0.5 mi.in azimuth 261°31'
20".
X-2,016,205.83 Lat. 35°23'04.0155"
Y- 139,948.66 Long. 97 56 44.2966 El. 1321.198 ft.
19-A-4 TT 1934; Junction Station. See Traverse 19-A.

U. S. Supreme Court
Texas & Oklahoma Boundary Markers

U.S.Supreme Court mile cor.post (1927) stamped 86-1313, Texas &
Oklahoma boundary line, 100th meridian. About 0.25 mi.W.& 25.0 ft.S.of
approx.NE.cor.sec.6,T15N,R26W; on S.side of OK.Hwy.#33.

El. 2435.204 ft.

U.S.Supreme Court mile cor.post (1927) stamped 85-5263, Texas &
Oklahoma boundary line, 100th meridian. About 0.25 mi.W.& 0.25 mi.S.of
approx.NE.cor.sec.6,T15N,R26W.

El. 2425.608 ft.

U.S.Supreme Court mile cor.post (1927) stamped 85-798, Texas &
Oklahoma boundary line, 100th meridian. About 0.25 mi.W.& 0.2 mi.S.of
approx.NE.cor.sec.7,T15N,R26W.

El. 2374.332 ft.

U.S.Supreme Court mile cor.post (1927) stamped 83-5263, Texas &
Oklahoma boundary line, 100th meridian. About 0.25 mi.W.& 0.25 mi.S.of
approx.NE.cor.sec.18,T15N,R26W.

El. 2326.241 ft.

U.S.Supreme Court mile cor.post (1927) stamped 83-2093, Texas &
Oklahoma boundary line, 100th meridian. About 0.25 mi.W.& 0.1 mi.N.of
approx.SE.cor.sec.18,T15N,R26W.

El. 2345.733 ft.

U.S.Supreme Court mile cor.post (1927) stamped 82-5263, Texas &
Oklahoma boundary line, 100th meridian. About 0.25 mi.W.& 0.25 mi.S.of
approx.NE.cor.sec.19,T15N,R26W.

El. 2325.299 ft.

U.S.Supreme Court mile cor.post (1927) stamped 81-5262, Texas &
Oklahoma boundary line, 100th meridian. About 0.25 mi.W.& 0.25 mi.S.of
approx.NE.cor.sec.30,T15N,R26W; about 0.4 mi.N.of Washita River.

El. 2233.783 ft.

U.S. Supreme Court mile cor. post (1927) stamped 80-5262, Texas & Oklahoma boundary line, 100th meridian. About 0.25 mi. W. & 0.25 mi. S. of approx. NE. cor. sec. 31, T15N, R26W.

El. 2285.770 ft.

U.S. Supreme Court mile cor. post (1927) stamped 79-5262, Texas & Oklahoma boundary line, 100th meridian. About 0.25 mi. W. & 0.25 mi. S. of approx. NE. cor. sec. 6, T14N, R26W.

El. 2313.232 ft.

Locust Tri. Sta., (Roger Mills Co., W. Mussetter, 1927) - About 6.0 mi. N. & 4.0 mi. W. of Rankin; about 1,800 ft. E. of old State line, in sec. 6, T14N, R27W; on a slight rise in a sandy field which has been cultivated. Station is 430.0 ft. N. of sec. line fence, about 600.0 ft. W. of sec. line road which has a long row of cotton-wood trees along its E. side; 700.0 ft. NW. of old shed at sec. corner. Reached from Rankin by Zyback road W. for 4.0 mi., thence N. 6.0 mi. to sec. cor. & old shed. Station marks are std. disk sta. marks in conc.

El. 2401.031 ft.

Reference marks are std. reference disks in conc.

R.M. #1 is 225.19 m. (738.8 ft.) in azimuth $302^{\circ}08'59''$. El. 2400.152 ft.

R.M. #2 is 133.53 m. (438.1 ft.) in azimuth $00^{\circ}39'17''$. El. 2399.665 ft.

U.S. Supreme Court mile cor. post (1927) stamped 78-2122, Texas & Oklahoma boundary line, 100th meridian. About 0.3 mi. W. & 0.15 mi. N. of approx. SE. cor. sec. 7, T14N, R26W.

El. 2455.560 ft.

U.S. Supreme Court mile cor. post (1927) stamped 77-5262, Texas & Oklahoma boundary line, 100th meridian. About 0.3 mi. S. & 0.3 mi. W. of approx. NE. cor. sec. 18, T14N, R26W.

El. 2399.009 ft.

U.S. Supreme Court mile cor. post (1927) stamped 76-5262, Texas & Oklahoma boundary line, 100th meridian. About 0.3 mi. S. & 0.3 mi. W. of approx. NE. cor. sec. 19, T14N, R26W.

El. 2467.251 ft.

U.S. Supreme Court mile cor. post (1927) stamped 75-5263, Texas & Oklahoma boundary line, 100th meridian. About 0.3 mi. S. & 0.3 mi. W. of approx. NE. cor. sec. 30, T14N, R26W.

El. 2520.377 ft.

Hanna Tri. Sta., (Roger Mills Co., W. Mussetter, 1927) - About 4.0 mi. W. & 2.5 mi. N. of Rankin, about 2,075.0 ft. E. of old State line in approx. NE $\frac{1}{4}$ sec. 30, T14N, R27W; on land belonging to J. B. Hanna, at S. edge of a cultivated field; 335.0 ft. W. of W. fence line of road; 30.0 ft. N. of E-W fence line; 18.3 ft. SW. of main trunk of largest bush in a clump. Station reached from Rankin by going W. on Zyback Road for 4.0 mi., thence N. on sec. line road continuing 2.5 mi. to point about 700.0 ft. N. of house at right of road where a row of cotton-wood trees runs E. of E. side of road and a fence runs W. on W. side. Sta. is N. of this fence. Sta. marks are std. disk sta. marks in conc.

El. 2547.908 ft.

Reference marks are std. reference disks in conc.

R.M. #1 is 121.02 m. (397.0 ft.) in azimuth $239^{\circ}33'29''$.

R.M. #2 is 09.48 m. (31.1 ft.) in azimuth $205^{\circ}03'44''$. El. 2545.885 ft.

U.S. Supreme Court mile cor. post (1927) stamped 75-3247, Texas & Oklahoma boundary line, 100th meridian. About 0.25 mi. N. & 0.3 mi. W. of approx. SE. cor. sec. 30, T14N, R26W.

El. 2546.714 ft.

U.S. Supreme Court mile cor. post (1927) stamped 74-5262, Texas & Oklahoma boundary line, 100th meridian. About 0.3 mi. S. & 0.3 mi. W. of approx. NE. cor. sec. 31, T14N, R26W.

El. 2488.163 ft.

U.S. Supreme Court mile cor. post (1927) stamped 73-5262, Texas & Oklahoma boundary line, 100th meridian. About 0.3 mi. W. & 0.3 mi. S. of approx. NE. cor. sec. 6, T13N, R26W.

El. 2495.463 ft.

U.S. Supreme Court mile cor. post (1927) stamped 73-1537, Texas & Oklahoma boundary line, 100th meridian. About 0.3 mi. W. & 30.0 ft. N. of approx. SE. cor. sec. 6, T13N, R26W.

El. 2489.490 ft.

U.S. Supreme Court mile cor. post (1927) stamped 73-1537, Texas & Oklahoma boundary line, 100th meridian. About 0.3 mi. W. & 0.3 mi. S. of approx. NE. cor. sec. 7, T13N, R26W.

El. 2492.317 ft.

U.S. Supreme Court mile cor. post (1927) stamped 71-5262, Texas & Oklahoma boundary line, 100th meridian. About 0.3 mi. W. & 0.3 mi. S. of approx. NE. cor. sec. 18, T13N, R26W.

El. 2475.065 ft.

U.S. Supreme Court mile cor. post (1927) stamped 70-5262, Texas & Oklahoma boundary line, 100th meridian. About 0.2 mi. W. & 0.3 mi. S. of approx. NE. cor. sec. 19, T13N, R26W.

El. 2546.699 ft.

U.S. Supreme Court mile cor. post (1927) stamped 69-5262, Texas & Oklahoma boundary line, 100th meridian. About 0.2 mi. W. & 0.3 mi. S. of approx. NE. cor. sec. 30, T13N, R26W.

El. 2555.293 ft.

U.S. Supreme Court mile cor. post (1927) stamped 68-5261, Texas & Oklahoma boundary line, 100th meridian. About 0.2 mi. W. & 0.3 mi. S. of approx. NE. cor. sec. 31, T13N, R26W.

El. 2480.616 ft.

Rankin Tri. Sta. See Traverse 9-H.

Traverse 10-A; Grant, Alfalfa, & Woods Co.
7-A-13 TT 1934 to Inman Tri. Sta.
North Projection

7-A-13 TT 1934; Grant Co., (Junction Station) 3.5 mi. W. & 1.75 mi. N. of Lamont; 1073.0 ft. S. & 21.0 ft. W. of approx. NE. cor. sec. 21, T26N, R4W; 2.0 ft. E. of W. R/W fence. 60-D spike set in 6 in. sq. conc. post. C/L Pleasant Ridge schoolhouse chimney in azimuth $100^{\circ}25'31''$; C/L chimney on Schaeel house in azimuth $175^{\circ}25'32''$; C/L Lamont W.T. in azimuth $297^{\circ}20'34''$.

X-2, 110, 175.61 Y-626, 587.82

10-A-25 TT 1938; Grant Co., 2.0 mi. N. & 5.0 mi. W. of Lamont; 0.2 mi. E. of schoolhouse; 27.0 ft. N. & 673.0 ft. E. of approx. SW. cor. sec. 16, T26N, R4W; 2.0 ft. S. of N. R/W fence of Co. road. OSCC Marker.

X-2, 105, 922.80 Y-627, 641.92 El. 1077.148 ft.

BM; Grant Co., 0.3 mi. W. of approx. NE. cor. sec. 20, T26N, R4W; chiseled sq. on SE. wing wall of 18 x 30 ft. steel "I" beam bridge.

El. 1024.851 ft.

10-A-26 TT 1938; Grant Co., 2.0 mi. N. & 7.4 mi. W. of Lamont; 34.5 ft. S. & 1209.0 ft. E. of approx. $N\frac{1}{4}$ cor. sec. 24, T26N, R5W; 0.5 ft. N. of S. R/W fence; 4.5 ft. S. & 0.5 ft. E. of REA pole; 27.0 ft. E. of C/L drive to T. W. Schmitz farmhouse. OSCC Marker. C/L W. chimney on large $1\frac{1}{2}$ story T-shaped house about 1.25 mi. in azimuth $32^{\circ}29'30''$; C/L S. gable on $1\frac{1}{2}$ story house about 1 mi. in azimuth $138^{\circ}46'00''$; C/L W. gable on $1\frac{1}{2}$ story house about 1 mi. in azimuth $268^{\circ}06'30''$.

X-2, 093, 001.26 Y-627, 543.13 El. 1042.092 ft.

10-A-27 TT 1938; Grant Co., 2.0 mi. N. & 8.0 mi. W. of Lamont; 71.0 ft. N. & 220.0 ft. W. of approx. SE. cor. sec. 14, T26N, R5W; 2.0 ft. E. of tree row on W. margin of Fairview school grounds; 88.4 ft. S. & 73.5 ft. W. of SW. cor. of schoolhouse. OSCC Marker. C/L E. gable on $1\frac{1}{2}$ story T-shaped house about

0.25 mi. in azimuth $82^{\circ}58'27''$; C/L E.gable on $1\frac{1}{2}$ story house about 0.12 mi. in azimuth $97^{\circ}24'44''$; C/L chimney on $1\frac{1}{2}$ story house about 0.5 mi. in azimuth $267^{\circ}05'40''$.

X-2,088,917.73 Y-627,658.51 El. 1062.358 ft.

10-A-28 TT 1938; Grant Co., 2.0 mi.N. & 8.5 mi.W. of Lamont; 0.5 mi. E. of country church & cemetery; 34.0 ft.S. & 2.0 ft.W. of approx. $N\frac{1}{2}$ cor. sec. 23, T26N, R5W; 1.5 ft.N. of S.R/W fence Co. road; 2.0 ft.W. of cross fence & hedge row S. OSCC Marker. C/L spire on country church about 0.25 mi. in azimuth $88^{\circ}58'37''$; C/L S.gable on $1\frac{1}{2}$ story house about 0.62 mi. in azimuth $207^{\circ}59'54''$; C/L W.gable on 1 story house about 0.12 mi. in azimuth $275^{\circ}43'47''$.

X-2,086,477.84 Y-627,562.57 El. 1062.686 ft.

BM; Grant Co., 250.0 ft.E. of approx. SW. cor. sec. 14, T26N, R5W; chiseled sq. on E. end of N. hdw. of 6 x 4 x 18 ft. conc. culvert.

El. 1052.126 ft.

BM; Grant Co., 300.0 ft.E. of approx. NW. cor. sec. 21, T26N, R5W; chiseled sq. on SW. wingwall of 18 x 18 ft. steel "I" beam conc. culvert.

El. 1040.262 ft.

10-A-29 TT 1938; Grant Co., 2.0 mi.N. & 11.25 mi.W. of Lamont; 326.0 ft.N. & 1045.0 ft.E. of approx. $S\frac{1}{2}$ cor. sec. 17, T26N, R5W; 20.0 ft.N. & 25.0 ft.W. of NW. cor. of shed; 173.0 ft.N. & 4.0 ft.W. of NE. cor. of farmhouse; 104.0 ft.W. of W. edge of conc. stock tank; 1.0 ft.W. of N-S fence. OSCC Marker. C/L E.gable on 2 story T-shaped house about 0.5 mi. in azimuth $85^{\circ}20'38''$; C/L spire on country church about 2 mi. in azimuth $271^{\circ}36'53''$.

X-2,071,757.62 Y-627,851.96 El. 1096.155 ft.

10-A-30 TT 1938; Grant Co., 2.0 mi.N. & 11.5 mi.W. of Lamont; 0.25 mi. N. & 2.0 mi.E. of Jefferson; 35.0 ft.N. & 128.0 ft.W. of approx. $S\frac{1}{2}$ cor. sec. 17, T26N, R5W; 1.5 ft.S. of N.R/W fence; 128.0 ft.W. of cross fence. OSCC Marker. C/L NE. cor. cupola on top of conc. grain elevator in Jefferson about 2 mi. in azimuth $82^{\circ}01'02''$; C/L E.gable on 1 story L-shaped house about 0.75 mi. in azimuth $144^{\circ}08'17''$; C/L W.gable on 1 story house about 0.25 mi. in azimuth $264^{\circ}57'47''$.

X-2,070,541.97 Y-627,556.48 El. 1089.260 ft.

10-A-31 TT 1938; Grant Co., 0.25 mi.N. & 0.5 mi.E. of Jefferson; 37.0 ft.S. & 1917.0 ft.E. of approx. NW. cor. sec. 19, T26N, R5W; 3.0 ft.S. of S.R/W fence Co. road; 3.0 ft.E. of cross fence on top of high cut-bank; 154.0 ft.E. of E. end of steel truss bridge over creek. OSCC Marker. C/L NE. cor. cupola atop conc. elevator in Jefferson about 0.5 mi. in azimuth $56^{\circ}04'24''$; C/L W. chimney on large 2 story house with 2 story bay window on S. about 0.12 mi. in azimuth $186^{\circ}06'34''$; C/L chimney on 2 story sq. topped house about 0.75 mi. in azimuth $271^{\circ}09'24''$.

X-2,063,601.70 Y-627,484.72 El. 1078.457 ft.

10-A-32 TT 1938; Grant Co., 0.25 mi.N. & 0.5 mi.W. of Jefferson; 12.0 ft.N. & 632.0 ft.E. of approx. NW. cor. sec. 13, T26N, R6W. OSCC Marker set in NW. hdw. of 80 ft. pony truss bridge under US. Hwy. #81, 2.0 ft.N. of N. truss. C/L NE. cor. of 1 story sq. topped house about 0.5 mi. in azimuth $12^{\circ}32'09''$; C/L E.gable on $1\frac{1}{2}$ story house about 0.75 mi. in azimuth $87^{\circ}48'42''$; C/L W. chimney on large 2 story house with 2 story bay window about 1 mi. in azimuth $262^{\circ}13'42''$.

X-2,058,166.01 Y-627,579.47 El. 1052.109 ft.

10-A-33 TT 1938; Grant Co., 0.25 mi.N. & 2.0 mi.W. of Jefferson; 11.0 ft.N. & 42.0 ft.W. of approx. $S\frac{1}{2}$ cor. sec. 15, T26N, R6W. OSCC Marker set in E. end of N. hdw. of double 8 x 6 x 22 ft. conc. culvert across Co. road.

X-2,049,604.82 Y-627,584.70 El. 1059.626 ft.

10-A-34 TT 1938; Grant Co., 0.25 mi.N. & 2.5 mi.W. of Jefferson; 15.0 ft.S. & 57.0 ft.W. of approx. NE. cor. sec. 21, T26N, R6W; OSCC Marker set in W. end of S. hdw. of double 6 x 4 x 30 ft. masonry culvert across Co. road, (W.P.A. 1936) C/L dormer gable on 1 story house about 0.37 mi. in azimuth $45^{\circ}41'28''$; C/L bay window on $1\frac{1}{2}$ story house about 0.25 mi. in azimuth $178^{\circ}12'58''$; C/L chimney on 1 story sq. top house about 0.25 mi. in azimuth $262^{\circ}27'03''$.

X-2,046,974.35 Y-627,549.05 El. 1056.945 ft.

BM; Grant Co., 0.25 mi.E.of approx.NW.cor.sec.21,T26N,R6W; chiseled sq.on W.end of S.hdw.of double 8 x 5 x 24 ft. culvert.

El. 1054.087 ft.

10-A-35 TT 1938; Grant Co., 0.3 mi.N.& 3.5 mi.W.of Jefferson; 383.0 ft.N.& 20.0 ft.E.of approx.SW.cor.sec.16,T26N,R6W; 2.0 ft.W.of E.R/W fence Tp.road in range of cross fence W. OSCC Marker. C/L E.gable on 1 story house about 0.12 mi.in azimuth 46°30'20"; C/L S.gable on 1 story T-shaped house about 0.12 mi.in azimuth 168°58'12"; C/L chimney on 1 story sq.top house about 1 mi.in azimuth 273°02'08".

X-2,041,794.54

Y-628,021.22

El. 1077.433 ft.

10-A-36 TT 1938; Grant Co., 0.3 mi.N.& 4.2 mi.W.of Jefferson; 294.0 ft.N.& 856.0 ft.W.of approx.S $\frac{1}{4}$ cor.sec.17,T26N,R6W; on minor sand knoll at NE.bank of Salt Fork of Arkansas River; 133.0 ft.NE.of angle post in NE.R/W fence Co.road; 173.0 ft.N.of 24" cottonwood tree; 33.0 ft.NE.of C/L Co.road along river bank. OSCC Marker. C/L chimney on 1 story T-shaped house about 1 mi.in azimuth 17°54'04"; C/L S.gable on 1 story stucco house about 0.75 mi.in azimuth 170°08'44".

X-2,038,299.74

Y-627,896.67

10-A-37 TT 1938; Grant Co., 0.5 mi.N.& 4.5 mi.W.of Jefferson; approx. 1500.0 ft.N.& approx. 1500.0 ft.E.of approx.SW.cor.sec.17,T26N,R6W; 3.0 ft.NE.of NE.R/W fence Co.road along river bank; in range of SE.guard rail of pile trestle wood bridge over N. Fork of Arkansas River; 111.0 ft.NE. of NE.cor.of bridge. OSCC Marker.

X-2,037,609.05

Y-628,758.62

El. 1061.275 ft.

10-A-38 TT 1938; Grant Co., 5.0 mi.W.of Jefferson; 1369.0 ft.S.& 1327.0 ft.W.of approx.NE.cor.sec.19,T26N,R6W; 27.0 ft.W.of N-S fence; 244.0 ft.S.of cross fence to E.on minor prominent sand knoll in pasture. OSCC Marker. C/L chimney on 1 story house about 0.5 mi.in azimuth 76°05'06"; C/L chimney on country schoolhouse about 1 mi.in azimuth 190°21'46"; C/L chimney on 1 story sq.top house about 0.37 mi.in azimuth 336°43'21".

X-2,035,173.49

Y-626,212.11

El. 1066.723 ft.

10-A-39 TT 1938; Grant Co., 1.75 mi.S.& 5.5 mi.W.of Jefferson; 175.0 ft.S.& 36.0 ft.W.of approx.NE.cor.sec.36,T26N,R7W; in SE.cor.Pleasant Valley school yard; 2.0 ft.W.of W.R/W fence; 2.0 ft.N.of S.school yard fence; 64.0 ft.S.& 103.0 ft.E.of SE.cor.schoolhouse. OSCC Marker. C/L N.gable on 1 story L-shaped house about 1.5 mi.in azimuth 62°31'11"; C/L chimney on sq.top house with lean-too kitchen about 0.37 mi.in azimuth 176°30'43"; C/L chimney on 1 story sq.top house about 0.25 mi.in azimuth 271°44'48".

X-2,031,226.91

Y-616,844.68

El. 1074.427 ft.

10-A-40 TT 1938; Grant Co., 2.0 mi.N.& 6.0 mi.W.of Pond Creek; 39.0 ft.N.& 910.0 ft.E.of approx.SW.cor.sec.25,T26N,R7W; 2.5 ft.N.of N.R/W fence Co.road; 2.5 ft.E.of W.yard fence of Pierson farmhouse. OSCC Marker. C/L N.gable on 1 story L-shaped house about 0.5 mi.in azimuth 19°16'32"; C/L SE.cor.of corrugated grain elevator about 1 mi.in azimuth 130°54'44"; C/L chimney on 1 story sq.top house with lean-too kitchen about 0.75 mi. in azimuth 237°15'34".

X-2,026,893.46

Y-617,046.37

El. 1088.872 ft.

10-A-41 TT 1938; Grant Co., 2.0 mi.N.& 7.0 mi.W.of Pond Creek; 1.0 mi.S.of Grain elevator; 34.0 ft.S.& 33.0 ft.W.of approx.NE.cor.sec.34, T26N,R7W; 3.0 ft.S.& 3.0 ft.W.of R/W fence cor. OSCC Marker. C/L N.gable on large barn about 0.5 mi.in azimuth 18°51'44"; C/L SE.cor.corrugated grain elevator about 0.5 mi.in azimuth 181°15'46"; C/L highest chimney on 1 story sq.top house about 0.37 mi.in azimuth 277°37'21".

X-2,020,669.40

Y-616,982.13

El. 1075.170 ft.

10-A-42 TT 1938; Grant Co., 2.0 mi.N.& 8.5 mi.W.of Pond Creek; 26.0 ft.N.& in range of approx. S $\frac{1}{2}$ cor.sec.28,T26N,R7W; 3.0 ft.E.of cross fence to S., Co.road. OSCC Marker. C/L E.gable on large 1 story bungalow about 0.75 mi.in azimuth 93°10'44"; C/L SE.cor.corrugated grain elevator about 1.75 mi.in azimuth 236°38'34"; C/L N.chimney on 1 $\frac{1}{2}$ story T-shaped house on horizon about 2.5 mi.in azimuth 324°41'54".

X-2,012,765.43

Y-617,057.64

El. 1081.488 ft.

- 10-A-43 TT 1938; Grant Co., 2.0 mi.N.& 9.7 mi.W.of Pond Creek; 34.0 ft.S.& 1566.0 ft.E.of approx.NW.cor.sec.32,T26N,R7W; 6.0 ft.S.of S.R/W fence Co.road; 8.0 ft.E.of E.gate post, entrance to large barn at an abandoned house sight; 2.0 ft.N.of stump of cedar tree. OSCC Marker. C/L S.gable on $1\frac{1}{2}$ story house about 0.25 mi.in azimuth $163^{\circ}59'51''$; C/L E.cor.cupola on top conc.elevator in Nash in azimuth $304^{\circ}41'36''$; C/L N.gable on large hip roof barn about 0.75 mi.in azimuth $314^{\circ}27'11''$.
X-2,006,431.39 Y-617,043.59 El. 1096.841 ft.
- 10-A-44 TT 1938; Grant Co., 1.7 mi.N.& 11.0 mi.W.of Pond Creek; 1403.0 ft.S.& 25.0 ft.E.of approx.NW.cor.sec.31,T26N,R7W; 2.0 ft.W.of braced panel in E.R/W fence Twp.road; 78.4 ft.N.& 52.5 ft.E.of 5th REA pole of NW.cor.sec.31. OSCC Marker. C/L chimney on 1 story L-shaped house about 0.25 mi.in azimuth $40^{\circ}05'06''$; C/L E.chimney on bungalow with silver roof about 0.25 mi.in azimuth $136^{\circ}55'01''$; C/L W.gable on main part of $1\frac{1}{2}$ story house about 0.5 mi.in azimuth $247^{\circ}03'01''$.
X-1,999,585.61 Y-615,620.44 El. 1110.982 ft.
- 10-A-45 TT 1938; Grant Co., 2.0 mi.N.& 12.7 mi.W.of Pond Creek; 2.0 mi.N.& 1.5 mi.E.of Nash; 30.0 ft.N.& 730.0 ft.W.of approx. $S\frac{1}{4}$ cor.sec.26, T26N,R8W; 4.0 ft.E.of charred tree stump in N.R/W fence Twp.road; 53.0 ft.E.& 61.5 ft.N.of 3rd REA pole W.of $S\frac{1}{4}$ cor. OSCC Marker. C/L N.cor.of cupalo on conc.grain elevator in Nash in azimuth $32^{\circ}06'20''$; C/L E.gable on 1 story house about 1 mi.in azimuth $101^{\circ}03'33''$; C/L chimney on airplane bungalow about 0.75 mi.in azimuth $240^{\circ}48'43''$.
X-1,990,952.34 Y-617,072.46 El. 1106.405 ft.
- 8-A-15 TT 1934; Junction Station. See Traverse 8-A.
- 10-A-46 TT 1938; Grant Co., 2.2 mi.N.& 1.25 mi.W.of Nash; 795.5 ft.N.& 1246.0 ft.W.of approx.SE.cor.sec.29,T26N,R8W; N.end of low ridge in pasture; 2.0 ft.N.of cross fence; 260.0 ft.E.of cross fence. OSCC Marker. C/L chimney on $1\frac{1}{2}$ story hip roofed house about 1.5 mi.in azimuth $43^{\circ}47'04''$; C/L E.chimney on small 1 story T-shaped house about 0.25 mi.in azimuth $215^{\circ}37'08''$; C/L N.cor.cupola on large grain elevator in Nash in azimuth $327^{\circ}27'39''$.
X-1,977,246.33 Y-617,880.20 El. 1167.586 ft.
- 10-A-47 TT 1938; Grant Co., 4.0 mi.N.& 2.75 mi.W.of Nash; 26.0 ft.N.& 1251.0 ft.E.of approx.SW.cor.sec.18,T26N,R8W; 2.5 ft.S.of S.R/W fence of dead end road; 16.0 ft.E.of guy anchor to power transformer pole, farm home of S.W.Potter. OSCC Marker. C/L E.chimney on 1 story house about 1 mi.in azimuth $16^{\circ}50'51''$; C/L main chimney on 1 story sq.top house about 1.5 mi.in azimuth $114^{\circ}24'26''$; C/L E.chimney on $1\frac{1}{2}$ story L-shaped house about 1 mi.in azimuth $319^{\circ}38'26''$.
X-1,969,213.27 Y-627,641.97 El. 1138.254 ft.
- 10-A-48 TT 1938; Alfalfa Co., 4.0 mi.N.& 4.8 mi.W.of Nash; 324.0 ft.S.& 474.0 ft.E.of approx.NW.cor.sec.23,T26N,R9W; 298.0 ft.S.of S.R/W fence of Co.road on top of knoll in pasture. OSCC Marker. C/L S.gable on $1\frac{1}{2}$ story T-shaped house about 2 mi.in azimuth $136^{\circ}09'57''$; C/L main chimney on 1 story sq.top house about 1 mi.in azimuth $237^{\circ}51'47''$.
X-1,957,792.40 Y-627,256.41 El. 1252.179 ft.
- 10-A-49 TT 1938; Alfalfa Co., 3.0 mi.N.& 5.7 mi.W.of Nash; 3.0 mi.N.& 1.3 mi.E.of Jet; 80.0 ft.S.& 1023.0 ft.E.of approx.NW.cor.sec.27,T26N,R9W; 62.0 ft.S.of S.R/W fence Twp.road; top sand knoll. OSCC Marker. C/L W.chimney on $1\frac{1}{2}$ story T-shaped house about 0.5 mi.in azimuth $145^{\circ}39'50''$.
X-1,953,070.38 Y-622,299.43 El. 1237.737 ft.
- 10-A-50 TT 1938; Alfalfa Co., 2.0 mi.N.& 0.75 mi.E.of Jet; 24.0 ft.N.& 969.0 ft.W.of approx.SE.cor.sec.28,T26N,R8W; 2.0 ft.S.of N.R/W fence Twp.road. OSCC Marker. C/L chimney on country schoolhouse about 1.5 mi.in azimuth $142^{\circ}22'33''$; C/L W.gable on 1 story house about 2 mi.in azimuth $278^{\circ}45'53''$; C/L Jet W.T.in azimuth $321^{\circ}46'53''$.
X-1,951,106.68 Y-617,125.44 El. 1268.196 ft.
- 10-A-51 TT 1938; Alfalfa Co., 4.0 mi.S.& 10.0 mi.E.of Cherokee; 675.0 ft.S.& 30.0 ft.E.of approx.NW.cor.sec.33,T26N,R9W; 2.0 ft.W.of E.R/W fence; 84.0 ft.N.of country phone pole. OSCC Marker. C/L N.gable on 1 story house about 0.5 mi.in azimuth $03^{\circ}32'58''$; C/L SW.chimney on 1

story house in grove of trees about 1 mi. in azimuth $74^{\circ}40'48''$; C/L W. gable on hollow conc. tile house about 0.25 mi. in azimuth $242^{\circ}21'18''$.
 X-1, 946, 804.41 Y-616, 466.66 El. 1208.885 ft.
 10-A-52 TT 1938; Alfalfa Co., 4.75 mi. S. & 9.0 mi. E. of Cherokee; 1198.0 ft. N. & 31.0 ft. W. of approx. SE. cor. sec. 31, T26N, R9W; 2.0 ft. E. of W. R/W fence; 1.0 ft. E. & 57.0 ft. N. of power line pole. OSCC Marker. C/L chimney on 2 story box house about 0.5 mi. in azimuth $71^{\circ}07'55''$; C/L chimney on 1 story house about 0.37 mi. in azimuth $185^{\circ}50'00''$; C/L N. chimney on 1 story house about 0.37 mi. in azimuth $284^{\circ}50'45''$.

X-1, 941, 509.25 Y-613, 086.90 El. 1175.627 ft.
 BM; Alfalfa Co., 0.4 mi. E. of approx. NW. cor. sec. 6, T25N, R10W; chiseled sq. on W. end of S. conc. hdw. of a 4 x 16 ft. conc. arch culvert.

El. 1153.805 ft.

10-A-53 TT 1938; Alfalfa Co., 5.25 mi. S. & 7.0 mi. E. of Cherokee; 1117.0 ft. S. & 27.5 ft. E. of approx. NW. cor. sec. 1, T25N, R10W; 416.0 ft. S. of near rail of AT&SF RR; 17.0 ft. S. & 49.5 ft. E. of REA pole; 2.0 ft. E. of E. R/W fence. OSCC Marker. C/L E. gable on large barn on horizon about 4 mi. in azimuth $61^{\circ}48'43''$; C/L brick fire place chimney on 1 story house about 0.5 mi. in azimuth $249^{\circ}07'08''$; C/L N. gable on 2 story T-shaped house about 0.5 mi. in azimuth $359^{\circ}15'23''$.

X-1, 931, 216.13 Y-610, 822.27 El. 1141.980 ft.

10-A-54 TT 1938; Alfalfa Co., 5.0 mi. S. & 5.9 mi. E. of Cherokee; 697.0 ft. W. & 24.0 ft. S. of approx. NE. cor. sec. 3, T25N, R10W; 2.0 ft. N. of S. R/W fence. OSCC Marker.

X-1, 925, 194.62 Y-611, 969.68 El. 1151.441 ft.

BM; Alfalfa Co., is top of iron rail mile post # 28.

El. 1141.167 ft.

10-A-55 TT 1938; Alfalfa Co., 3.25 mi. S. & 5.1 mi. E. of Cherokee; near approx. SE. cor. $W\frac{1}{2}$ NW. NW. sec. 27, T26N, R10W; atop small sandy knoll at W. edge of Salt Plains; 490.0 ft. E. of N-S sec. line; 122.0 ft. S. of near rail at cattle guard; 75.0 ft. S. of S. RR R/W fence; 4.0 ft. S. of witness post. OSCC Marker. C/L chimney on 1 story sq. top house about 1 mi. in azimuth $33^{\circ}58'13''$.

X-1, 921, 082.98 Y-621, 155.99 El. 1146.815 ft.

10-A-56 TT 1938; Alfalfa Co., 2.9 mi. S. & 4.9 mi. E. of Cherokee; near approx. NW. cor. SE. SE. SE. sec. 21, T26N, R10W; midway between & opposite 1st & 2nd phone poles SE. of MP. #25; 42.0 ft. N. of near rail of AT&SF RR; 8.0 ft. S. of N. RR R/W fence atop prominent 10 ft. cut waste embankment. OSCC Marker. C/L chimney on 1 story house about 0.5 mi. in azimuth $74^{\circ}36'09''$; C/L chimney on $1\frac{1}{2}$ story house about 1 mi. in azimuth $117^{\circ}15'19''$; C/L chimney on 1 story sq. top house about 2 mi. in azimuth $158^{\circ}45'47''$.

X-1, 919, 312.32 Y-623, 125.61 El. 1170.114 ft.

10-A-57 TT 1938; Alfalfa Co., 2.2 mi. S. & 3.9 mi. E. of Cherokee; near approx. SW. cor. NE. NE. NE. sec. 20, T26N, R10W; 613.0 ft. W. of E. line of sec., opposite 1st pole NW. of RR MP. #24; 78.0 ft. N. of near rail of AT&SF RR; 2.0 ft. S. of N. RR R/W fence atop 12 ft. cut waste embankment. OSCC Marker. C/L chimney on brick schoolhouse about 1 mi. in azimuth $24^{\circ}17'21''$; C/L S. gable on 1 story shack about 0.75 mi. in azimuth $160^{\circ}48'04''$; C/L chimney on 1 story shack about 1 mi. in azimuth $310^{\circ}27'34''$.

X-1, 914, 723.51 Y-626, 503.21 El. 1163.132 ft.

10-A-58 TT 1938; Alfalfa Co., 2.0 mi. S. & 2.25 mi. E. of Cherokee; 26.0 ft. S. & 1314.0 ft. E. of approx. NW. cor. sec. 19, T26N, R10W; 1.5 ft. S. of S. R/W fence Twp. road. OSCC Marker. C/L Cherokee W. T. in azimuth $141^{\circ}48'43''$; C/L W. chimney on 1 story T-shaped house about 0.75 mi. in azimuth $239^{\circ}47'15''$; C/L N. gable on 1 story T-shaped house about 1 mi. in azimuth $343^{\circ}12'25''$.

X-1, 906, 365.46 Y-627, 854.81 El. 1165.234 ft.

10-A-59 TT 1938; Alfalfa Co., 2.0 mi. S. & 1.0 mi. E. of Cherokee; 15.0 ft. N. & 20.0 ft. W. of approx. SE. cor. sec. 14, T26N, R11W. OSCC Marker set in angle of N. hdw. of 3 x 2 x 30 ft. conc. culvert under Twp. road. C/L Cherokee W. T. in azimuth $162^{\circ}27'51''$; C/L N. gable on $1\frac{1}{2}$ story house about 0.12 mi. in azimuth $23^{\circ}23'50''$; C/L W. gable on 1 story house about 0.75 mi. in azimuth $258^{\circ}59'35''$.

X-1, 899, 760.94 Y-627, 977.53 El. 1170.940 ft.

10-A-60 TT 1938; Alfalfa Co., 2.0 mi.S. & 0.4 mi.W. of Cherokee; 31.5 ft.S. & 671.0 ft.E. of approx. $N\frac{1}{4}$ cor. sec. 22, T26N, R11W; 2.0 ft.S. of S.R/W fence of Co. road. OSCC Marker. C/L S.gable on large 2 story house about 1 mi. in azimuth $160^{\circ}37'56''$; C/L W.gable on $1\frac{1}{2}$ story house about 0.12 mi. in azimuth $254^{\circ}59'26''$; C/L N.gable on large hip roof barn about 0.75 mi. in azimuth $346^{\circ}49'01''$.

X-1, 892, 598.83 Y-627, 961.84 El. 1216.388 ft.

BM; Alfalfa Co., 100.0 ft.W. of approx. NE. cor. sec. 21, T26N, R11W; chiseled sq. on W. end of SW. wingwall of 7 x 3 x 16 ft. conc. culvert.

El. 1189.385 ft.

10-A-61 TT 1938; Alfalfa Co., 2.0 mi.S. & 1.7 mi.W. of Cherokee; 26.5 ft.N. & 891.0 ft.W. of approx. $S\frac{1}{4}$ cor. sec. 16, T26N, R11W; 2.0 ft.S. of N.R/W fence of Co. road. OSCC Marker. C/L N.gable on large hip-roofed barn about 1.5 mi. in azimuth $05^{\circ}01'50''$; C/L chimney on sq. topped 1 story house about 0.37 mi. in azimuth $128^{\circ}17'30''$; C/L Cherokee W.T. in azimuth $214^{\circ}45'39''$.

X-1, 885, 724.57 Y-628, 042.44 El. 1238.749 ft.

10-A-62 TT 1938; Alfalfa Co., 2.0 mi.S. & 2.3 mi.W. of Cherokee; 22.5 ft.S. & 960.0 ft.E. of approx. $N\frac{1}{4}$ cor. sec. 20, T26N, R11W; 2.0 ft.N. of S.R/W fence of Co. road. OSCC Marker. C/L W. chimney on 1 story T-shaped house about 0.75 mi. in azimuth $122^{\circ}05'43''$; C/L Cherokee W.T. in azimuth $223^{\circ}28'05''$; C/L W.gable on 1 story L-shaped house about 0.9 mi. in azimuth $308^{\circ}00'30''$.

X-1, 882, 335.58 Y-628, 028.78 El. 1218.803 ft.

BM; Alfalfa Co., 0.1 mi.E. of approx. NW. cor. sec. 20, T26N, R11W; chiseled sq. on E. end of S. conc. hdw. of 4 x 3 x 20 ft. conc. culvert.

El. 1239.817 ft.

10-A-63 TT 1938; Alfalfa Co., 2.0 mi.S. & 3.2 mi.W. of Cherokee; 80.0 ft.S. & 868.0 ft.W. of approx. NE. cor. sec. 19, T26N, R11W; 2.0 ft.W. of cross fence to S., 53.0 ft.S. of S.R/W fence of Co. road. OSCC Marker. C/L central & highest chimney on large brick schoolhouse about 2 mi. in azimuth $04^{\circ}59'09''$; C/L Cherokee W.T. in azimuth $231^{\circ}41'34''$; C/L chimney on 1 story sq. topped house about 0.25 mi. in azimuth $307^{\circ}34'22''$.

X-1, 877, 898.77 Y-627, 985.50 El. 1276.056 ft.

10-A-64 TT 1938; Alfalfa Co., 2.0 mi.S. & 3.5 mi.W. of Cherokee; 28.0 ft.N. & 118.0 ft.E. of approx. $S\frac{1}{2}$ cor. sec. 18, T26N, R11W; 2.0 ft.S. of N.R/W fence of Co. road. OSCC Marker. C/L N.gable on 2 story cross-shaped house about 1 mi. in azimuth $43^{\circ}33'27''$; C/L E.gable on 1 story house about 0.06 mi. in azimuth $101^{\circ}57'10''$; C/L S.gable on 1 story T-shaped house about 0.75 mi. in azimuth $233^{\circ}55'47''$.

X-1, 876, 170.93 Y-628, 099.27 El. 1287.270 ft.

BM; Alfalfa Co., 0.1 mi.E. of approx. SW. cor. sec. 18, T26N, R11W; chiseled sq. on SW. cor. of W. end of conc. hdw. of 8 x 4 x 20 ft. conc. culvert.

El. 1250.248 ft.

10-A-65 TT 1938; Alfalfa Co., 2.0 mi.S. & 5.7 mi.W. of Cherokee; 32.5 ft.S. & 848.0 ft.W. of approx. $N\frac{1}{4}$ cor. sec. 23, T26N, R12W; 1.5 ft.N. of S.R/W fence brace panel of Twp. road. OSCC Marker. C/L E. chimney on 1 story house on horizon about 2 mi. in azimuth $06^{\circ}37'54''$; C/L chimney on 1 story L-shaped house about 0.37 mi. in azimuth $141^{\circ}51'24''$; C/L chimney on 1 story house about 0.75 mi. in azimuth $232^{\circ}58'44''$.

X-1, 864, 212.14 Y-628, 069.97 El. 1324.848 ft.

10-A-66 TT 1938; Alfalfa Co., 2.0 mi.S. & 7.3 mi.W. of Cherokee; 24.5 ft.N. & 835.0 ft.E. of approx. $S\frac{1}{2}$ cor. sec. 16, T26N, R12W; 1.5 ft.S. of N.R/W fence of Co. road. OSCC Marker. C/L N.gable on 1 story L-shaped house about 0.75 mi. in azimuth $43^{\circ}42'23''$; C/L chimney on 1 story sq. top house about 1 mi. in azimuth $130^{\circ}07'26''$; C/L chimney on 1 story sq. top house about 0.25 mi. in azimuth $263^{\circ}29'56''$.

X-1, 855, 630.87 Y-628, 186.92 El. 1417.914 ft.

10-A-67 TT 1938; Alfalfa Co., 2.0 mi.S. & 8.25 mi.W. of Cherokee; 84.5 ft.S. & 1000.0 ft.W. of approx. NE. cor. sec. 20, T26N, R12W; 56.0 ft.S. of S.R/W fence of Co. road; 2.0 ft.E. of T-fence to S. OSCC Marker. C/L chimney on

sq.top house over horizon about 1 mi.in azimuth $163^{\circ}44'00''$; C/L E.chimney on 1 story H-shaped house about 2.5 mi.in azimuth $232^{\circ}17'22''$; C/L N.gable on $1\frac{1}{2}$ story T-shaped house about 0.37 mi.in azimuth $333^{\circ}00'07''$.
 X-1,851,249.41 Y-628,110.79 El. 1474.166 ft.

10-A-68 TT 1938; Alfalfa Co., 5.0 mi.S.& 8.2 mi.E.of Alva; 2.0 mi.S.& 8.8 mi.W.of Cherokee; 25.0 ft.S.& 950.0 ft.E.of approx.NW.cor.sec.20,T26N,R12W; 1.5 ft.N.of S.R/W fence & OG&E power line; 76.0 ft.W.of 3rd tower pole E.of sec.cor. OSCC Marker. C/L NE.cor.of chimney on 1 story sq.topped house about 0.37 mi.in azimuth $21^{\circ}12'21''$; C/L S.gable on $1\frac{1}{2}$ story house about 0.25 mi.in azimuth $139^{\circ}24'49''$; C/L SW.cor. of fire-place chimney on house about 0.5 mi.in azimuth $266^{\circ}56'51''$.
 X-1,847,906.54 Y-628,220.47 El. 1477.746 ft.

10-A-69 TT 1938; Woods Co., 5.0 mi.S.& 6.5 mi.E.of Alva; 37.0 ft.N.& 2.6 ft.W.of approx.S $\frac{1}{4}$ cor.sec.13,T26N,R13W; 9.0 ft.N.of N.R/W fence; 2.0 ft.W.of cross fence. OSCC Marker. C/L N.edge of roof over pair of dormer windows on $1\frac{1}{2}$ story house about 0.5 mi.in azimuth $91^{\circ}58'08''$; C/L S.gable on T-shaped house just visible over hill about 0.5 mi.in azimuth $182^{\circ}46'21''$; C/L W.gable on $1\frac{1}{2}$ story T-shaped house about 0.75 mi.in azimuth $298^{\circ}23'38''$.
 X-1,839,046.45 Y-628,292.15 El. 1424.357 ft.

10-A-70 TT 1938; Woods Co., 4.8 mi.S.& 5.0 mi.E.of Alva; 1000.0 ft.N.& 27.0 ft.W.of approx.SE.cor.sec.15,T26N,R13W; 1.5 ft.W.of W.R/W fence of Co.road; 8.0 ft.S.of tel.pole; 41.5 ft.S.of S.yard fence of B.L.Gray farmhouse. OSCC Marker. C/L NE.cor.of lean-too kitchen on small 1 story house about 0.5 mi.in azimuth $70^{\circ}53'32''$; C/L chimney on large 2 story house about 0.5 mi.in azimuth $185^{\circ}28'32''$; C/L chimney on $1\frac{1}{2}$ story house about 0.75 mi.in azimuth $284^{\circ}29'02''$.
 X-1,831,082.34 Y-629,572.62 El. 1398.186 ft.

EM; Woods Co., 0.3 mi.E.of approx.NW.cor.sec.22,T26N,R13W; chiseled sq.on W.end of S.conc.hdw.of a double 12 x 6 x 20 ft.conc.culvert.
 El. 1391.453 ft.

10-A-71 TT 1938; Woods Co., 5.0 mi.S.& 3.5 mi.E.of Alva; 26.0 ft.N.& 338.0 ft.W.of approx.S $\frac{1}{4}$ cor.sec.16,T26N,R13W; 1.0 ft.N.of N.R/W fence Twp.road. OSCC Marker. C/L N.gable on large barn about 1 mi.in azimuth $41^{\circ}54'15''$; C/L chimney on sq.top house about 0.25 mi.in azimuth $129^{\circ}04'05''$; C/L chimney on 1 story bungalow about 1 mi.in azimuth $223^{\circ}35'50''$.
 X-1,822,842.69 Y-628,433.59 El. 1435.410 ft.

10-A-72 TT 1938; Woods Co., 5.0 mi.S.& 3.25 mi.E.of Alva; 19.0 ft.S.& 806.0 ft.E.of approx.NW.cor.sec.21,T26N,R13W; 1.0 ft.N.of S.R/W fence at brace panel Twp.road. OSCC Marker. C/L N.gable on large barn about 0.75 mi.in azimuth $31^{\circ}11'38''$; C/L chimney on sq.top house about 0.5 mi.in azimuth $159^{\circ}43'18''$.
 X-1,821,356.53 Y-628,406.02 El. 1433.398 ft.

10-A-73 TT 1938; Woods Co., 5.0 mi.S.& 1.6 mi.E.of Alva; 21.5 ft.N.& 450.0 ft.E.of approx.S $\frac{1}{4}$ cor.sec.18,T26N,R13W; 2.5 ft.S.of N.R/W fence Twp.road. OSCC Marker. C/L S.gable on large $1\frac{1}{2}$ story house about 1 mi.in azimuth $150^{\circ}02'00''$; C/L S.gable on 1 story bungalow about 1.5 mi.in azimuth $238^{\circ}17'10''$; C/L W.gable on L-shaped house just visible over horizon about 1 mi.in azimuth $331^{\circ}42'25''$.
 X-1,813,112.53 Y-628,574.70 El. 1432.543 ft.

10-A-74 TT 1938; Woods Co., 5.0 mi.S.of Alva; 110.0 ft.S.& 18.3 ft.E.of approx.SW.cor.sec.13,T26N,R14W; OSCC Marker set in S.end of E.hdw. of 3 x 3 ft.conc.box culvert under OK.Hwy.#14. C/L E.gable on large hay barn about 0.75 mi.in azimuth $57^{\circ}24'32''$; C/L S.gable on $1\frac{1}{2}$ story T-shaped house about 0.5 mi.in azimuth $177^{\circ}28'30''$; C/L N.chimney on 1 story T-shaped house about 1.5 mi.in azimuth $320^{\circ}18'52''$.
 X-1,804,881.83 Y-628,523.14 El. 1417.291 ft.

8-D-5 TT 1934; Junction Station. See Traverse 8-D.

10-A-75 TT 1938; Woods Co., 2.0 mi.N.& 5.5 mi.E.of Avard; 5.0 mi.S.& 1.5 mi.W.of Alva; 176.0 ft.N.& 1.5 ft.E.of approx.S $\frac{1}{4}$ cor.sec.15,T26N,R14W; 155.0 ft.N.of N.R/W fence Tp.road; 1.5 ft.E.of cross fence. OSCC

- Marker. C/L E. Alva W.T. in azimuth $197^{\circ}08'41''$; C/L S. gable on 1 story T-shaped house about 0.75 mi. in azimuth $127^{\circ}36'08''$; C/L chimney on 1 story sq. topped house about 1 mi. in azimuth $350^{\circ}05'28''$.
 X-1,796,965.97 Y-628,855.08 El. 1484.625 ft.
 10-A-76 TT 1938; Woods Co., 2.0 mi. N. & 4.5 mi. E. of Avard; 34.0 ft. N. & 3.0 ft. W. of approx. $S\frac{1}{2}$ cor. sec. 16, T26N, R14W; 3.0 ft. N. of N.R/W fence Tp. road; 3.0 ft. W. of cross fence. OSCC Marker. C/L E. gable on 1 story L-shaped house about 0.37 mi. in azimuth $93^{\circ}30'11''$; C/L gable of S. dormer on $1\frac{1}{2}$ story house about 0.75 mi. in azimuth $237^{\circ}02'56''$; C/L W. gable belfry on 1 story schoolhouse about 2 mi. in azimuth $305^{\circ}07'03''$.
 X-1,791,660.85 Y-628,756.43 El. 1481.717 ft.
 BM; Woods Co., 0.25 mi. E. of approx. SW. cor. sec. 15, T26N, R14W; chiseled sq. on W. end of N. conc. hdw. of a 24 in. G.I.P. culvert.
 El. 1530.559 ft.
 10-A-77 TT 1938; Woods Co., 2.0 mi. N. & 3.4 mi. E. of Avard; 29.0 ft. S. & 292.0 ft. W. of approx. $S\frac{1}{2}$ cor. sec. 20, T26N, R14W; 1.5 ft. N. of S.R/W fence Twp. road. OSCC Marker. C/L E. gable on belfry on country schoolhouse about 1 mi. in azimuth $25^{\circ}19'37''$; C/L E. chimney on large hip roofed 3 story frame hotel bldg. in Avard about 2 mi. in azimuth $64^{\circ}18'37''$; C/L chimney on schoolhouse on horizon atop high ridge of buttes about 2.5 mi. in azimuth $349^{\circ}34'30''$.
 X-1,786,084.88 Y-628,786.13 El. 1481.373 ft.
 BM; Woods Co., 0.6 mi. E. of approx. NE. cor. sec. 24, T26N, R15W; chiseled sq. on W. end of conc. hdw. of a 4 ft. conc. arched culvert.
 El. 1452.986 ft.
 10-A-78 TT 1938; Woods Co., 2.0 mi. N. & 1.2 mi. E. of Avard; 58.5 ft. N. & 951.0 ft. E. of approx. SW. cor. sec. 13, T26N, R15W; on W. spoil bank of AT&SF RR cut; 50.0 ft. W. of near rail at hand car safety berm; 31.5 ft. W. of signal block #3331. OSCC Marker. C/L E. chimney on large hip-roof on 3 story frame hotel bldg. in Avard about 2.5 mi. in azimuth $33^{\circ}22'18''$; C/L chimney on schoolhouse on horizon atop high ridge of buttes about 7 mi. in azimuth $119^{\circ}24'38''$; C/L S. chimney on $1\frac{1}{2}$ story L-shaped house about 0.5 mi. in azimuth $253^{\circ}57'18''$.
 X-1,774,306.37 Y-628,960.59 El. 1483.911 ft.
 10-A-79 TT 1938; Woods Co., 2.0 mi. N. of Avard; 25.0 ft. N. & 1521.0 ft. E. of approx. NW. cor. sec. 23, T26N, R15W; 1.5 ft. N. of S.R/W fence Tp. road; OSCC Marker. C/L N. gable on large hip-roof barn on W. outskirts of Avard about 1.5 mi. in azimuth $33^{\circ}34'36''$; C/L chimney on tin roof house about 0.75 mi. in azimuth $93^{\circ}22'44''$; C/L chimney on 1 story frame bungalow about 1.75 mi. in azimuth $255^{\circ}41'06''$.
 X-1,769,554.79 Y-628,917.46 El. 1502.288 ft.
 10-A-79-A TT 1938; Woods Co., 6.0 mi. S. & 7.0 mi. W. of Alva; 230.0 ft. S. & 31.5 ft. E. of approx. $W\frac{1}{2}$ cor. sec. 23, T26N, R15W; 2.0 ft. W. of E.R/W fence of Co. road. OSCC Marker. C/L lone windmill tower about 1.5 mi. in azimuth $69^{\circ}25'04''$; C/L chimney on tin-roof house about 0.75 mi. in azimuth $152^{\circ}37'56''$; C/L chimney on SF RR depot in Avard about 1 mi. in azimuth $356^{\circ}08'29''$.
 X-1,768,041.03 Y-626,068.12 El. 1477.606 ft.
 10-A-79-B TT 1938; Woods Co., 7.0 mi. S. & 8.7 mi. W. of Alva; near approx. NE. cor. $SE\frac{1}{2}$ sec. 27, T26N, R15W; 19.0 ft. W. of sec. line; approx. 300.0 ft. SW. of Avard SF RR depot; 9.3 ft. E. of near rail of AT&SF RR main track; 8.0 ft. W. of near rail of E. siding; 53.0 ft. NW. of Western Union & AT&SF RR phone pole; 113.0 ft. SW. of switch stand; 73.0 ft. SW. of intersection of main track & N-S sec. line. OSCC Marker.
 X-1,767,933.92 Y-619,384.29 El. 1480.917 ft.
 Avard North Base Tri. Sta., (Woods Co., C.I.A. 1934) approx. 0.1 mi. S. & 0.15 mi. W. of approx. NE. cor. sec. 34, T26N, R15W; at S. edge of Avard; 0.5 mi. SW. of AT&SF RR depot & 700.0 ft. S. of C/L of first RR crossing S. of said depot; mark is 55.6 ft. SE. of SE. rail of main line of said RR; 9.0 ft. SE. of SE. R/W fence; at this point tracks are laid on a fill & sta. mark is about 5.0 ft. below top of rail & about 300.0 ft. N. of overhead

bridge signal marked "3361". Mark projects 6 in. Surface, underground, reference, & azimuth marks are bronze tablets set in conc. & described according to notes lb, 7a, 11b, & 11a.

X-1,767,086.33 Y-617,744.76 El. 1479.184 ft.
R.M.#1 is 2.0 ft. SE. of SE. RR R/W fence line; 6.0 ft. E. of break of SE. RR ditch line; 46.5 ft. SE. of SE. rail of said RR; 43.799 m. (143.69 ft.) in azimuth 214°53'08". El. 1478.493 ft.
R.M.#2 is 47.0 ft. SE. of SE. rail of main line; 15.0 ft. SE. of toe of fill, in SE. R/W fence line, 36.469 m. (119.65 ft.) in azimuth 42°00'49". El. 1478.160 ft.

To reach azimuth mark from first RR crossing S. of depot go E. 0.15 mi., turn right (S) go 0.4 mi., mark is 30.0 ft. E. of C/L of road in E. R/W fence line, in azimuth 333°16'45".

Reference & azimuth marks projects 6 in.

10-A-80 TT 1938; Woods Co., 2.0 mi. N. & 0.5 mi. W. of Avard; 23.0 ft. N. & 993.0 ft. E. of approx. S $\frac{1}{4}$ cor. sec. 15, T26N, R15W; 2.0 ft. S. of N. R/W fence of dead end Twp. road; in range of cross fence N. OSCC Marker. C/L chimney on country schoolhouse on horizon atop high ridge of buttes about 3 mi. in azimuth 134°32'57"; C/L chimney on tin-roof house about 0.05 mi. in azimuth 256°41'17"; C/L N. gable on large hip-roof barn on western outskirts of Avard about 9 mi. in azimuth 356°40'47".

X-1,766,036.99 Y-628,996.84 El. 1494.349 ft.
BM; Woods Co., 0.1 mi. N. of approx. SW. cor. sec. 23, T26N, R15W; chiseled sq. on SE. cor. of SE. abutment of 75.0 ft. conc. pile bridge across Eagle Chief Creek. El. 1451.490 ft.

10-A-81 TT 1938; Woods Co., 1.0 mi. N. & 1.0 mi. W. of Avard; 1348.0 ft. N. & 23.0 ft. W. of approx. SE. cor. sec. 21, T26N, R15W; 1.5 ft. E. of W. R/W fence line of trail road. OSCC Marker. C/L chimney on country schoolhouse on horizon about 3 mi. in azimuth 152°37'03"; C/L belfry on Country church on horizon about 4 mi. in azimuth 216°55'43"; C/L chimney on Avard school house in azimuth 318°08'46".

X-1,762,694.79 Y-625,046.69 El. 1504.574 ft.
BM; Woods Co., Approx. 200.0 ft. E. of approx. NW. cor. sec. 28, T26N, R15W; chiseled Sq. on W. end of S. hdw. of 5 x 16 ft. conc. arched culvert. El. 1486.492 ft.

10-A-82 TT 1938; Woods Co., 1.0 mi. N. & 2.6 mi. W. of Avard; 1646.0 ft. N. & 640.0 ft. W. of approx. S $\frac{1}{4}$ cor. sec. 20, T26N, R15W; highest point on minor N-S ridge in "bad lands" basin. OSCC Marker. C/L chimney on 2 story house on horizon about 2 mi. in azimuth 07°20'08"; C/L E. chimney on 4 gable bungalow about 3 mi. in azimuth 77°22'53"; C/L chimney on schoolhouse in Avard about 2 mi. in azimuth 296°29'16".

X-1,754,130.47 Y-625,691.04 El. 1539.172 ft.
BM; Woods Co., 0.35 mi. W. of approx. SE. cor. sec. 19, T26N, R15W; is a RR spike in top of timber pile guard post on NE. wingwall. El. 1520.291 ft.

BM; Woods Co., 200.0 ft. S. of approx. NW. cor. sec. 25, T26N, R14W; chiseled sq. on NE. cor. of E. conc. hdw. of 5 x 4 x 36 ft. conc. culvert. El. 1552.104 ft.

10-A-83 TT 1938; Woods Co., 9.3 mi. N. of Waynoka; 952.0 ft. S. & 33.0 ft. W. of approx. E $\frac{1}{2}$ cor. sec. 23, T26N, R16W; 2.0 ft. E. of W. R/W fence of Co. road; 2.0 ft. S. of cross fence S. of private drive to farmhouse. OSCC Marker. C/L chimney on horizon about 5 mi. in azimuth 37°24'49"; C/L chimney on sq. 1 story peak-roof house about 2 mi. in azimuth 176°09'49"; C/L chimney on 1 story house about 1.5 mi. in azimuth 330°21'59".

X-1,741,642.21 Y-625,579.65 El. 1579.977 ft.

10-A-84 TT 1938; Woods Co., 9.0 mi. N. & 1.5 mi. W. of Waynoka; 710.0 ft. S. & 55.0 ft. W. of approx. N $\frac{1}{2}$ cor. sec. 27, T26N, R16W; top of minor dome in pasture; 2.0 ft. W. of skew fence. OSCC Marker. C/L peak of cor. of corn silo about 1 mi. in azimuth 142°23'15"; C/L chimney on 1 story X-shaped house about 0.75 mi. in azimuth 231°15'50"; C/L S. chimney on schoolhouse about 2 mi. in azimuth 297°22'20".

X-1,733,672.10 Y-623,240.79 El. 1714.090 ft.

10-A-85 TT 1938; Woods Co., 8.25 mi.N. & 2.25 mi.W. of Waynoka; 1320.0 ft.N. & 1320.0 ft.W. of approx. SE. cor. sec. 28, T26N, R16W; on E. slope of a minor dome; 1.5 ft.E. of cross fence by N-S trail. OSCC Marker. C/L peak corn silo about 1.75 mi. in azimuth $182^{\circ}48'49''$; C/L belfry on frame school house about 3.5 mi. in azimuth $298^{\circ}21'36''$.

X-1,729,714.73 Y-620,003.60 El. 1752,288 ft.

10-A-86 TT 1938; Woods Co., 8.75 mi.N. & 2.5 mi.W. of Waynoka; 171.0 ft.S. & 144.0 ft.E. of fence cor, NW. cor. SW. NE. sec. 33, T26N, R16W; atop E-W sandy ridge, approx. 300.0 ft. SE. of cottonwood tree in ravine; 3.0 ft. E. of 4 in. witness post. OSCC Marker.

X-1,728,534.72 Y-616,961.40 El. 1765,839 ft.

Inman Tri. Sta., (Woods Co., C.I.A. 1934) Approx. 7.0 mi.N.W. of Waynoka; in approx. SW $\frac{1}{4}$ sec. 33, T26N, R16W; about 0.2 mi.N. of S. line & 0.2 mi.E. of W. line of said $\frac{1}{4}$; on a high sandy knoll in sage covered pasture land, highest point in immediate vicinity. Property is owned by Robert Inman of Waynoka; mark projects 6 in. above ground. Station is reached from the Reading Room of AT&SF RR in Waynoka by going to W. side of crossing, then turn right & go 6.6 mi.N., turn left & go 2.8 mi.W. to house on left side of road & a windmill on right; turn right thru gate & immediately after, turn left thru another gate; then go N. for 0.2 mi. across pasture land to highest sandy hill & station. A truck can be driven to station. Surface, underground, reference, & azimuth marks are bronze tablets set in conc. & described according to notes 1b, 7a, 11b, & 11a.

X-1,726,373.34 Y-614,490.55 El. 1784,342 ft.

R.M.#1 is N. of sta. on top of hump, 42.960 m. (140.95 ft.) in azimuth $167^{\circ}51'04''$.

El. 1784,301 ft.

R.M.#2 is E. of sta. on eastern slope of hill, 28.296 m. (92.84 ft.) in azimuth $263^{\circ}17'44''$.

El. 1776,593 ft.

Azimuth mark is 0.65 mi.E. SE. of sta., 32.0 ft.N. of C/L of road & 15.0 ft.E. of field road; to reach from sta. go 0.2 mi.S. to road; turn left & go 0.6 mi.E. to top of grade & azimuth mark is 6.0 ft.N. of fence on line in azimuth $285^{\circ}03'36''$.

El. 1768,629 ft.

Reference & azimuth marks project 6 in.

Traverse 10-C; Woodward & Ellis Counties

10-D-1 TT 1934 to Apple Tri. Sta.

North Projection

10-D-1 TT 1934; Junction Station. See Traverse 10-D.

Woodward Magnetic Station; In Woodward, in eastern part of Lee Park where road running E. thru park branches to SE., 25.0 ft. SW. of C/L road; 172.3 ft. N. of E-W fence line; 208.0 ft. S. of C/L Madison Ave., bronze cap set in a 5 x 6 in limestone post.

El. 1888,682 ft.

10-C-1 TT 1934; Woodward Co., 0.37 mi.N. & 0.5 mi.E. of center of Woodward; 31.4 ft.N. of C/L Madison Ave. & 190.0 ft.W. of center sec. 30, T23N, R20W; 2.9 ft.S. of N.R/W fence. USC&GS & State Marker. C/L Woodward W.T. about 0.75 mi. in azimuth $30^{\circ}08'22''$; C/L chimney on house of G. Jividen about 0.25 mi. in azimuth $132^{\circ}57'15''$; C/L chimney on Vergil Farrier house about 0.5 mi. in azimuth $267^{\circ}17'45''$.

X-1,593,820.63 Y-527,311.85 El. 1892,398 ft.

10-C-2 TT 1934; Woodward Co., 4 blocks N. & 1 block W. of center of Woodward on Madison Ave., 22.7 ft.S. & 312.3 ft.W. of approx. E $\frac{1}{4}$ cor. sec. 25, T23N, R21W, which is intersection of 8th St. & Madison Ave., 54.8 ft.E. of C/L 9th St., 2.2 ft.S. of curb on S. side of Madison Ave. USC&GS & State Marker. C/L chimney on G. Kempt house about 0.37 mi. in azimuth $94^{\circ}42'44''$; C/L chimney on H. Achee house about 0.08 mi. in azimuth $220^{\circ}40'17''$; C/L N. ventilator on Okla. Wheat Pool Elevator about 0.13 mi. in azimuth $351^{\circ}38'34''$.

X-1,591,128.93 Y-527,299.64 El. 1895,216 ft.

10-C-3 TT 1934; Woodward Co., 0.37 mi.N.& 1.0 mi.W.of Woodward on Madison Ave. extended; 23.3 ft.N.& 114.5 ft.E.of approx.W $\frac{1}{2}$ cor.sec. 26, T23N,R21W; USC&GS & State Marker. C/L chimney on L.Canfield house about 0.75 mi.in azimuth 48°20'47"; C/L chimney on B.B.Horner house about 0.15 mi.in azimuth 179°59'29"; C/L flag pole on C.H. about 1 mi.in azimuth 295°58'14".

X-1,586,262.65 Y-527,426.32 El. 1935.254 ft.

10-C-3-A TT 1934; Woodward Co., 1.25 mi.W.of Woodward; in approx. SE $\frac{1}{4}$ sec.26,T23N,R21W; 2218.0 ft.SW.of 10-C-3 on crest of rise; 1.2 ft. E.of N-S fence; 261.3 ft.N.of E-W fence. Is a car axle driven in ground.

X-1,584,768.33 Y-525,787.93

10-C-4 TT 1934; Woodward Co., 0.12 mi.S.& 1.5 mi.W.of Woodward; on OK.Hwy.#15 in front of Lester Canfield house; 46.5 ft.S.& 327.3 ft.W.of approx.N $\frac{1}{4}$ cor.sec.35,T23N,R21W; 6.4 ft.N.of S.R/W fence. USC&GS & State Marker. C/L chimney on J.W.Githens house about 1.5 mi.in azimuth 90°38' 22"; C/L Semaphore Signal on AT&SF RR about 0.75 mi.in azimuth 141°11' 37"; C/L Woodward W.T.about 1.5 mi.in azimuth 285°32'45".

X-1,583,143.25 Y-524,799.24 El. 1994.742 ft.

10-C-4-A TT 1934; Woodward Co., 0.12 mi.S.& 1.6 mi.W.of Woodward; 300.0 ft.E.of approx.SW.cor.sec.26,T23N,R21W; chisel mark on NW.conc. wingwall of bridge approx. 600.0 ft.W.of BM 10-C-4.

El. 1947.179 ft.

10-C-5 TT 1934; Woodward Co., 0.12 mi.S.& 2.87 mi.W.of Woodward on OK.Hwy.#15; 34.6 ft.N.& 735.6 ft.E.of approx.SW.cor.sec.27,T23N,R21W; 2.6 ft.S.of N.R/W fence. USC&GS & State Marker. C/L chimney on J.W.Git-chens house about 0.25 mi.in azimuth 85°34'00"; C/L Semaphore Signal on AT&SF RR about 0.5 mi.in azimuth 167°40'07"; C/L Woodward W.T.about 3 mi.in azimuth 279°12'17".

X-1,576,232.61 Y-524,996.56 El. 2022.249 ft.

10-C-5-A TT 1934; Woodward Co., 0.12 mi.S.& 3.2 mi.W.of Woodward; chisel mark on SW.conc.wingwall of culvert approx. 0.25 mi.E.of NE.cor. sec.32,T23N,R18W.

El. 2001.402 ft.

10-C-6 TT 1934; Woodward Co., 0.12 mi.S.& 4.5 mi.W.of Woodward on OK.Hwy.#15; 32.0 ft.N.& 170.6 ft.W.of approx.S $\frac{1}{2}$ cor.sec.29,T23N,R21W; 5.0 ft.N.of N.R/W fence. USC&GS & State Marker. C/L chimney on Bonifield house about 1.5 mi.in azimuth 47°42'54"; C/L chimney on J.W.Williams house about 1 mi.in azimuth 268°10'06"; C/L Woodward W.T.about 4.5 mi.in azimuth 276°12'54".

X-1,567,336.07 Y-525,176.97 El. 2083.046 ft.

10-C-7 TT 1934; Woodward Co., 0.12 mi.S.& 5.62 mi.W.of Woodward on OK.Hwy.#15; 30.3 ft.N.& 503.7 ft.W.of approx.SE.cor.sec.30,T23N,R21W; 3.9 ft.N.of N.R/W fence. USC&GS & State Marker. C/L N.chimney on B.Guyann house about 1.5 mi.in azimuth 91°49'41"; C/L belfry on school about 1.5 mi.in azimuth 193°40'06"; C/L ventilator on Charmison barn about 2 mi.in azimuth 330°35'41".

X-1,561,730.00 Y-525,323.27 El. 2137.528 ft.

10-C-8 TT 1934; Woodward Co., 0.12 mi.S.& 7.0 mi.W.of Woodward on OK.Hwy.#15; 35.5 ft.N.& 417.5 ft.W.of approx.SE.cor.sec.26,T23N,R22W; 4.5 ft.S.of N.R/W fence. USC&GS & State Marker. C/L N.chimney on Tangier School about 1.5 mi.in azimuth 52°25'23"; C/L bridge at S.end of Fuller Earth Plant about 2 mi.in azimuth 201°37'53"; C/L chimney on A.C.Bishop house about 1.5 mi.in azimuth 319°54'58".

X-1,554,012.49 Y-525,483.00 El. 2174.677 ft.

10-C-9 TT 1934; Woodward Co., 0.12 mi.S.& 7.75 mi.W.of Woodward on OK.Hwy.#15; 29.3 ft.S.& 800.9 ft.W.of approx.N $\frac{1}{2}$ cor.sec.35,T23N,R22W; 2.2 ft.N.of S.R/W fence. USC&GS & State Marker. C/L Fargo W.T.about 7 mi.in azimuth 52°10'15"; C/L chimney on J.W.Thomas house about 0.37 mi. in azimuth 104°15'53"; C/L N.chimney on E.D.Maddox house about 0.87 mi. in azimuth 298°34'13".

X-1,550,838.10 Y-525,584.23 El. 2183.482 ft.

10-C-10 TT 1934; Woodward Co., in N.edge of village of Tangier on

- OK.Hwy.#15; 1147.4 ft.N.& 32.2 ft.E.of approx.SW.cor.sec.35,T23N,R22W; 2.2 ft.E.of E.R/W fence. USC&GS & State Marker. C/L N.chimney on Musclemann house about 0.5 mi.in azimuth $56^{\circ}02'25''$; C/L chimney on R.Vager house about 1 mi.in azimuth $147^{\circ}18'27''$; C/L chimney on J.Simel house about 1 mi.in azimuth $289^{\circ}36'35''$.
- X-1,548,800.35 Y-521,636.49 El. 2183.034 ft.
10-C-11 TT 1934; Woodward Co., 1.37 mi.S.of Tangier on OK.Hwy.#15; 1436.7 ft.S.& 28.0 ft.W.of approx.NE.cor.sec.10,T22N,R22W; 3.5 ft.E.of W.R/W fence. USC&GS & State Marker. C/L Fargo W.T.about 5 mi.in azimuth $68^{\circ}01'04''$; C/L chimney on Tangier AT&SF RR depot about 1.25 mi.in azimuth $176^{\circ}08'46''$; C/L chimney on D.Helmer house about 1.5 mi.in azimuth $358^{\circ}52'46''$.
- X-1,548,621.52 Y-513,833.53 El. 2233.905 ft.
10-C-12 TT 1934; Woodward Co., 3.0 mi.S.of Tangier on OK.Hwy.#15; 305.8 ft.N.& 27.3 ft.W.of approx.SE.cor.sec.15,T22N,R22W; 2.2 ft.E. of W.R/W fence. USC&GS & State Marker. C/L E.chimney on Bill Lay's house about 1.5 mi.in azimuth $137^{\circ}04'53''$; C/L S.chimney on G.Stricker house about 2 mi.in azimuth $240^{\circ}38'13''$; C/L chimney on Lutheran Church about 1 mi.in azimuth $359^{\circ}52'23''$.
- X-1,548,524.10 Y-505,072.98 El. 2249.976 ft.
10-C-13 TT 1934; Woodward Co., 3.87 mi.E.of Fargo on OK.Hwy.#15; 28.3 ft.S.& 305.8 ft.W.of approx.NE.cor.sec.21,T22N,R22W; 4.2 ft.N.of S. R/W fence. USC&GS & State Marker. C/L pilot light about 2.5 mi.in azimuth $62^{\circ}48'55''$; C/L chimney on F.F.Hohweiler house about 1 mi.in azimuth $94^{\circ}07'20''$; C/L chimney on house about 1 mi.in azimuth $184^{\circ}59'18''$.
- X-1,542,860.51 Y-504,877.49 El. 2213.086 ft.
10-C-14 TT 1934; Woodward Co., 2.5 mi.E.of Fargo on OK.Hwy.#15; 33.1 ft.N.& 66.0 ft.W.of approx.S $\frac{1}{4}$ cor.sec.17,T22N,R22W; 4.1 ft.N.of N.R/W fence; USC&GS & State Marker. C/L Fargo W.T.about 2.5 mi.in azimuth $81^{\circ}03'36''$; C/L Semaphore Signal at SW.end of RR bridge about 1 mi.in azimuth $191^{\circ}27'39''$; C/L chimney on school about 2 mi.in azimuth $301^{\circ}12'14''$.
- X-1,535,185.27 Y-505,085.90 El. 2211.851 ft.
10-C-15 TT 1934; Woodward Co., 2.0 mi.E.of Fargo on OK.Hwy.#15; 26.7 ft.N.& 119.7 ft.W.of approx.SE.cor.sec.18,T22N,R22W; 3.3 ft.S.of N.R/W fence. USC&GS & State Marker. C/L pilot light about 1 mi.in azimuth $11^{\circ}36'12''$; C/L Fargo W.T.about 2.25 mi.in azimuth $78^{\circ}56'06''$; C/L Semaphore Signal on AT&SF RR about 0.75 mi.in azimuth $154^{\circ}06'56''$.
- X-1,532,550.92 Y-505,085.36 El. 2193.477 ft.
10-C-16 TT 1934; Ellis Co., 0.75 mi.E.of Fargo on OK.Hwy.#15; 28.0 ft.N.& 584.0 ft.W.of approx.SE.cor.sec.13,T22N,R23W; 2.0 ft.S.of N.R/W fence. USC&GS & State Marker. C/L Fargo W.T.about 1 mi.in azimuth $66^{\circ}04'19''$; C/L chimney on S.B.Yoder house about 0.5 mi.in azimuth $204^{\circ}59'54''$; C/L pilot light about 1.12 mi.in azimuth $324^{\circ}56'54''$.
- X-1,526,859.72 Y-505,248.89 El. 2145.115 ft.
10-C-17 TT 1934; Ellis Co., In Fargo, on SW.cor.of intersection of Main St.& N.City limit line, in front of Fargo Coop.Lumber Assoc; 32.7 ft.S.& 48.8 ft.W.of approx.NE.cor.sec.23,T22N,R23W; 6.2 ft.S.& 9.1 ft. W.of curbs. USC&GS & State Marker. C/L ridge at S.end of Farmers Coop. Elevator about 0.04 mi.in azimuth $116^{\circ}36'35''$; C/L S.chimney on A.M. Benbrook house about 0.15 mi.in azimuth $261^{\circ}28'43''$; C/L NW.cor.top of Midland Hotel about 2 blocks in azimuth $353^{\circ}42'53''$.
- X-1,522,157.03 Y-505,260.59 El. 2102.841 ft.
10-C-18 TT 1934; Ellis Co., 0.5 mi.S.of Fargo on OK.Hwy.#15; 35.0 ft.S.& 33.1 ft.W.of approx.E $\frac{1}{4}$ cor.sec.23,T22N,R23W; 2.5 ft.E.of W. R/W fence; USC&GS & State Marker. C/L E.chimney on house about 0.5 mi. in azimuth $16^{\circ}36'27''$; C/L Fargo W.T.about 0.06 mi.in azimuth $134^{\circ}31'02''$; C/L pilot light about 1.75 mi.in azimuth $291^{\circ}34'30''$.
- X-1,522,116.48 Y-502,563.00 El. 2140.149 ft.
10-C-19 TT 1934; Ellis Co., 1.12 mi.S.of Fargo on OK.Hwy.#15; 1105.7 ft.S.& 26.5 ft.W.of approx.NE.cor.sec.26,T22N,R23W; 1.1 ft.E.of W.R/W fence. USC&GS & State Marker. C/L chimney on C.L.Hutchinson house about 2 mi.in azimuth $14^{\circ}52'06''$; C/L Fargo W.T.about 0.75 mi.in azimuth 174°

- 53'16"; C/L pilot light about 1.5 mi. in azimuth 269°29'24".
 X-1,522,076.97 Y-498,852.63 El. 2160.679 ft.
 10-C-20 TT 1934; Ellis Co., 3.0 mi. S. of Fargo on OK. Hwy. #15; 94.5 ft. S. & 28.9 ft. W. of approx. NE. cor. sec. 2, T21N, R23W; 2.1 ft. E. of W.R/W fence. USC&GS & State Marker. C/L chimney on C.L. Hutchinson house about 0.25 mi. in azimuth 90°39'01"; C/L pilot light about 2.5 mi. in azimuth 224°07'39"; C/L chimney on C.E. Tyrell house about 0.5 mi. in azimuth 353°43'46".
 X-1,521,933.40 Y-489,290.53 El. 2196.403 ft.
 10-C-21 TT 1934; Ellis Co., 6.5 mi. E. of Gage on OK. Hwy. #15; 23.0 ft. N. & 261.1 ft. W. of approx. SE. cor. sec. 3, T21N, R23W; 5.5 ft. S. of N.R/W fence. USC&GS & State Marker. C/L chimney on G. Norman house about 0.5 mi. in azimuth 87°26'13"; C/L chimney on W.E. Larison house about 0.11 mi. in azimuth 191°59'01"; C/L chimney on Ray Sloan house about 0.5 mi. in azimuth 359°13'21".
 X-1,516,344.81 Y-484,250.04 El. 2257.114 ft.
 10-C-22 TT 1934; Ellis Co., 5.62 mi. E. of Gage on OK. Hwy. #15; 25.2 ft. N. & 481.9 ft. E. of approx. SW. cor. sec. 3, T21N, R23W; 2.8 ft. S. of N. R/W fence. USC&GS & State Marker. C/L W. chimney on Earl Barnes house about 1 mi. in azimuth 17°40'46"; C/L chimney on Pleasant View School about 2.25 mi. in azimuth 65°53'34"; C/L Fargo W.T. about 4.5 mi. in azimuth 208°03'36".
 X-1,511,798.03 Y-484,370.36 El. 2247.835 ft.
 10-C-23 TT 1934; Ellis Co., 3.5 mi. E. of Gage on OK. Hwy. #15; 29.8 ft. N. & 299.0 ft. E. of approx. SW. cor. sec. 5, T21N, R23W; 4.2 ft. S. of N.R/W fence. USC&GS & State Marker. C/L chimney on Pleasant View School about 0.5 mi. in azimuth 04°36'39"; C/L chimney on J.C. Brown house about 1 mi. in azimuth 77°57'32"; C/L Fargo W.T. about 5.5 mi. in azimuth 228°23'39".
 X-1,500,977.31 Y-484,544.80 El. 2196.700 ft.
 10-C-24 TT 1934; Ellis Co., 2.37 mi. E. of Gage on OK. Hwy. #15; 31.2 ft. N. & 881.0 ft. W. of approx. SE. cor. sec. 1, T21N, R24W; 2.8 ft. S. of N. R/W fence. USC&GS & State Marker. C/L Gage W.T. about 2.25 mi. in azimuth 95°14'10"; C/L Fargo W.T. about 6.5 mi. in azimuth 236°08'05"; C/L chimney on Pleasant View School about 1.5 mi. in azimuth 311°00'07".
 X-1,494,441.22 Y-484,657.24 El. 2200.561 ft.
 10-C-25 TT 1934; Ellis Co., 1.0 mi. E. of Gage on OK. Hwy. #15; 80.7 ft. N. & 2.0 ft. W. of approx. S $\frac{1}{2}$ cor. sec. 2, T21N, R24W. USC&GS & State Marker. C/L chimney on W.E. Wright house about 1 mi. in azimuth 70°51'24"; C/L Gage W.T. about 0.75 mi. in azimuth 102°07'34"; C/L chimney on Pleasant View School about 3.5 mi. in azimuth 292°46'44".
 X-1,487,545.44 Y-484,802.84 El. 2150.072 ft.
 10-C-25-A TT 1934; Ellis Co., 0.5 mi. E. & 0.25 mi. S. of Gage; 2.5 ft. W. of W. property fence of approx. NW $\frac{1}{4}$ sec. 11, T21N, R24W; 26.0 ft. E. of C/L road; 7.6 ft. N. of E-W $\frac{1}{2}$ fence. USC&GS & State Marker.
 X-1,484,895.32 Y-483,459.78
 10-C-26 TT 1934; Ellis Co., 0.5 mi. E. & 0.75 mi. S. of Gage; 1569.7 ft. N. & 24.6 ft. W. of approx. SE. cor. sec. 10, T21N, R24W; 3.9 ft. E. of W.R/W fence. USC&GS & State Marker. C/L W. chimney on C.H. Kellen house about 2 mi. in azimuth 29°31'20"; C/L S. chimney on Mrs. J.M. DeGrange's house about 1 mi. in azimuth 91°52'30"; C/L Gage W.T. about 0.75 mi. in azimuth 165°09'50".
 X-1,484,807.34 Y-481,076.36 El. 2173.704 ft.
 10-C-27 TT 1934; Ellis Co., 0.5 mi. W. & 1.25 mi. S. of Gage on OK. Hwy. #15; 1346.5 ft. S. & 23.4 ft. E. of approx. NW. cor. sec. 15, T21N, R24W; 1.6 ft. W. of E.R/W line. USC&GS & State Marker. C/L S. chimney on J.A. Harold house about 2 mi. in azimuth 21°34'10"; C/L Gage W.T. about 2 mi. in azimuth 208°19'38"; C/L chimney on H.J. Randolph house about 1 mi. in azimuth 285°36'00".
 X-1,479,587.13 Y-478,213.38 El. 2187.713 ft.
 10-C-27-A TT 1934; Ellis Co., 0.5 mi. W. & 2.25 mi. S. of Gage on OK. Hwy. #15; 1592.9 ft. S. & 23.3 ft. W. of approx. NE. cor. sec. 21, T21N, R24W; 8.7 ft. E. of E. property fence. Is a car axle driven in ground.
 X-1,479,465.29 Y-472,773.44

- 10-C-28 TT 1934; Ellis Co., 0.5 mi.W. & 2.75 mi.S. of Gage on OK.Hwy. #15; 1671.1 ft.N. & 27.3 ft.E. of approx.SW.cor.sec.22,T21N,R24W; 2.7 ft.W. of E.R/W fence. USC&GS & State Marker. C/L chimney on Fairbanks School about 1.5 mi.in azimuth 52°04'58"; C/L Gage W.T.about 3.25 mi.in azimuth 195°20'33"; C/L chimney on Ray Webb house about 0.5 mi.in azimuth 294°20'51".
X-1,479,479.79 Y-470,655.55 El. 2252.150 ft.
- 10-C-29 TT 1934; Ellis Co., 5.87 mi.E. of Shattuck on OK.Hwy.#15; 37.0 ft.S. & 1869.2 ft.E. of approx.NW.cor.sec.28,T21N,R24W; 3.5 ft.S. of S.R/W fence. USC&GS & State Marker. C/L Shattuck W.T.about 6 mi.in azimuth 84°27'14"; C/L Gage W.T.about 3.5 mi.in azimuth 204°37'39"; C/L chimney on Ora Gully house about 1 mi.in azimuth 350°33'54".
X-1,475,962.93 Y-469,004.01 El. 2276.552 ft.
- 10-C-29-A TT 1934; Ellis Co., 3.0 mi.S. & 1.5 mi.W. of Gage; chisel mark on W.end of S.conc.hdw.of culvert approx. 320.0 ft.E. of $\frac{1}{4}$ sec.fence line common to sec's. 20 & 29,T21N,R24W.
X-1,470,234.39 Y-469,097.53
- 10-C-30 TT 1934; Ellis Co., 3.87 mi.E. of Shattuck on OK.Hwy.#15; 28.7 ft.S. & 1898.5 ft.E. of approx.NW.cor.sec.30,T21N,R24W; 1.8 ft.N. of S.R/W fence. USC&GS & State Marker. C/L chimney on Troy Harrell house about 1 mi.in azimuth 19°39'51"; C/L Shattuck W.T.about 4 mi.in azimuth 80°47'04"; C/L Gage W.T.about 4.5 mi.in azimuth 227°47'59".
X-1,465,489.65 Y-469,236.63 El. 2234.957 ft.
- 10-C-30-A TT 1934; Ellis Co., 3.37 mi.E. of Shattuck on OK.Hwy.#15; 23.5 ft.N. & 632.2 ft.W. of approx.SE.cor.sec.24,T21N,R25W; 7.0 ft.S. of N.R/W fence; is a car axle driven in ground.
X-1,462,960.48 Y-469,341.75
- 10-C-31 TT 1934; Ellis Co., 2.5 mi.E. of Shattuck on OK.Hwy.#15; 28.4 ft.S. & 467.4 ft.W. of approx.NE.cor.sec.26,T21N,R25W; 4.1 ft.N. of S.R/W fence. USC&GS & State Marker. C/L Shattuck W.T.about 2.5 mi.in azimuth 74°41'03"; C/L chimney on J.Walton house about 1 mi.in azimuth 170°20'48"; C/L Gage W.T.about 5 mi.in azimuth 237°36'05".
X-1,457,783.84 Y-469,271.38 El. 2251.152 ft.
- 10-C-32 TT 1934; Ellis Co., 1.5 mi.E. of Shattuck on OK.Hwy.#15; 23.5 ft.S. & 72.4 ft.E. of approx.NW.cor.sec.26,T21N,R25W; 8.0 ft.N. of S.R/W fence. USC&GS & State Marker. C/L Shattuck W.T.about 1.5 mi.in azimuth 63°20'36"; C/L chimney on Jim Walton's house about 1 mi.in azimuth 105°50'29"; C/L Gage W.T.about 6.5 mi.in azimuth 242°09'59".
X-1,453,048.91 Y-469,518.49 El. 2260.582 ft.
- 10-C-33 TT 1934; Ellis Co., 0.75 mi.E. of center of Shattuck on OK.Hwy.#15; 26.2 ft.S. & 1708.2 ft.W. of approx.N $\frac{1}{4}$ cor.sec.27,T21N,R25W; which is E.City limit line of town; 2.3 ft.N. of S.R/W fence. USC&GS & State Marker. C/L Shattuck W.T.about 0.75 mi.in azimuth 33°43'29"; C/L chimney on Jim Walton's house about 0.37 mi.in azimuth 150°47'24"; C/L Gage W.T.about 7.25 mi.in azimuth 245°22'31".
X-1,448,608.74 Y-469,611.05 El. 2259.678 ft.
- 10-C-33-A TT 1934; Ellis Co., In Shattuck; on crest of rise 1517.0 ft.E. of intersection of AT&SF RR tracks & Main St., 1.0 ft.W. of N-S fence & 10.2 ft.S. of intersecting fence running E. Is a car axle driven in ground.
X-1,446,947.69 Y-470,925.78
- 10-C-34 TT 1934; Ellis Co., In Shattuck; 42.2 ft.E. of C/L Main St. & 13.9 ft.S. of C/L AT&SF RR; 3.7 ft.SE. of base of RR signal tower. USC&GS & State Marker. C/L E.chimney on John Foster's bldg.about 0.25 mi.in azimuth 05°07'42"; C/L chimney on Ray Sowers house about 0.5 mi.in azimuth 195°36'15"; C/L chimney on Geo.Schult's house about 0.25 mi.in azimuth 311°37'08".
X-1,445,572.64 Y-470,392.29 El. 2234.904 ft.
- 10-C-35 TT 1934; Ellis Co., In Shattuck; on NE.cor. of intersection of Main & Fourth Sts., 31.8 ft.E. & 25.0 ft.N. of center of intersection in front of Continental Oil Co.Filling Station. USC&GS & State Marker.

set in curbing. C/L cor.chimney on L.E.McDonald house about 0.5 mi. in azimuth $25^{\circ}07'08''$; C/L cor.of chimney on John Woodmonse house about 0.12 mi.in azimuth $69^{\circ}41'23''$; C/L W.chimney on Hattie Fritz house about 0.12 mi.in azimuth $284^{\circ}05'01''$.

X-1,445,543.51 Y-468,804.37 El. 2267.964 ft.

10-C-35-A TT 1934; Ellis Co., In front of Shattuck Hospital; 169.5 ft.S.& 19.3 ft.W.of intersection of Main & 9th Sts., 1.3 ft.W.of curb at point where curb turns SW. Is a car axle driven in ground.

X-1,445,464.89 Y-466,813.79

10-C-36 TT 1934; Ellis Co., 1.0 mi.S.of Shattuck on OK.Hwy.#15; 31.2 ft.S.& 49.0 ft.E.of approx.N $\frac{1}{2}$ cor.sec.33,T21N,R25W; 1.0 ft.W.& 1.3 ft.N. of property fence cor. USC&GS & State Marker. C/L steeple on Lutheran Church about 6 mi.in azimuth $45^{\circ}21'17''$; C/L chimney on L.E.McDonald house about 0.75 mi.in azimuth $166^{\circ}56'14''$; C/L knob on top of Shattuck W.T.about 0.5 mi.in azimuth $203^{\circ}54'17''$.

X-1,445,502.96 Y-464,369.11 El. 2287.988 ft.

10-C-37 TT 1934; Ellis Co., 1.0 mi.S.& 1.12 mi.W.of Shattuck; 48.9 ft.S.& 2537.6 ft.E.of approx.NW.cor.sec.32,T21N,R25W; 636.0 ft.W.of AT & SF RR; 3.7 ft.N.of S.R/W fence. USC&GS & State Marker. C/L steeple on Lutheran Church about 5 mi.in azimuth $24^{\circ}44'11''$; C/L chimney on F.F.Rux house about 2 mi.in azimuth $66^{\circ}33'59''$; C/L Shattuck W.T.about 1.5 mi.in azimuth $256^{\circ}04'01''$.

X-1,439,592.93 Y-464,458.65 El. 2276.426 ft.

10-C-37-A TT 1934; Ellis Co., 1.0 mi.S.& 2.12 mi.W.of Shattuck; 41.8 ft.S.& 1961.0 ft.E.of approx.NW.cor.sec.31,T21N,R25W; 2.8 ft.N.of S. property fence R/W. Is a car axle driven in ground.

X-1,433,766.03 Y-464,497.48

10-C-38 TT 1934; Ellis Co., 1.0 mi.S.& 2.5 mi.W.of Shattuck; 31.7 ft.S.& 28.3 ft.E.of approx.NW.cor.sec.31,T21N,R25W; 1.3 ft.W.& 3.2 ft.S. of NW.property fence cor. USC&GS & State Marker. C/L S.chimney on V. F. Wilson house about 0.75 mi.in azimuth $155^{\circ}37'45''$; C/L Shattuck W.T.about 2.5 mi.in azimuth $263^{\circ}44'50''$; C/L steeple on Lutheran Church about 3 mi. in azimuth $345^{\circ}56'30''$.

X-1,431,837.59 Y-464,534.23 El. 2331.371 ft.

10-C-38-A TT 1934; Ellis Co., 1.75 mi.S.& 2.5 mi.W.of Shattuck; 1834.8 ft.N.& 25.7 ft.E.of approx.SW.cor.sec.31,T21N,R25W; 3.3 ft.W.of E.R/W fence. Is a car axle driven in ground.

X-1,431,733.28 Y-461,133.00

10-C-39 TT 1934; Ellis Co., 2.0 mi.S.& 2.5 mi.W.of Shattuck; 28.5 ft.N.& 233.0 ft.W.of approx.SE.cor.sec.36,T21N,R26W; 2.5 ft.S.of N.R/W fence. USC&GS & State Marker. C/L chimney on F.F.Rus house about 0.5 mi. in azimuth $143^{\circ}17'55''$; C/L Shattuck W.T.about 3.5 mi.in azimuth $245^{\circ}23'25''$; C/L steeple on Lutheran Church about 2 mi.in azimuth $331^{\circ}04'38''$.

X-1,431,415.98 Y-459,307.79 El. 2346.911 ft.

Apple Tri.Sta., (Ellis Co., W.Mussetter, 1927) About 4.0 mi.W.& 2.0 mi.S.of Shattuck; 3.0 mi.E.of old State line on a prominent knoll at N. side sec.line road & in N.fence line of roadway; about 100 paces E. of sec.cor.on land belonging to L.L.Apple; about 0.33 mi.SW.of his house & just S.of a large pile of rocks. To reach from Shattuck, go S. 0.8 mi. on OK.Hwy.#15, W. 2.5 mi., S. 1.0 mi., & W. 1.5 mi.to sec.cor.& station. Sta.marked by std.disk, sta. mark set in rock below surface of ground.

X-1,424,496.62 Y-459,401.34 El. 2439.991 ft.

Reference marks are std.reference disks set in conc.
R.M.#1 is 67.69 m.(222.1 ft.) in azimuth $283^{\circ}24'34''$.
R.M.#2 is 40.19 m.(131.9 ft.) in azimuth $07^{\circ}13'44''$.
C/L Shattuck W.T.about 4.3 mi.in azimuth $252^{\circ}52'00''$.

Traverse 10-D; Woodward & Major Counties
 10-C-1 TT 1934 to 7-D-36 TT 1934
 North Projection

10-C-1 TT 1934; Junction Station. See Traverse 10-C.

Woodward Magnetic Station. See Traverse 10-C.

10-D-1-A TT 1934; Woodward Co., In E. edge of Woodward; 370.0 ft. W. of N-S C/L sec. 30, T23N, R20W; on C/L 2nd St., 20.7 ft. N. of C/L main line track & 4.9 ft. N. of C/L side track of AT&SF RR. Is a car axle driven in ground.

X-1, 593, 627.91 Y-525, 839.41

10-D-1 TT 1934; Woodward Co., 1.37 mi. E. of Woodward; on AT&SF RR; 770.8 ft. W. of E. line sec. 32, T23N, R20W; 23.0 ft. N. of C/L RR & 113.5 ft. N. of C/L OK. Hwy. #15; 27.0 ft. S. of N. RR R/W fence. USC&GS & State Marker. C/L chimney on Jack Farrier house about 0.25 mi. in azimuth 121°29'21"; C/L chimney on Joe Hunter house about 0.75 mi. in azimuth 290°58'08"; C/L chimney on Red Rock School about 0.75 mi. in azimuth 351°19'11".

X-1, 601, 134.79 Y-524, 754.13 El. 1880.760 ft.

10-D-2 TT 1934; Woodward Co., 0.12 mi. S. & 2.37 mi. E. of Woodward; 3416.0 ft. W. of E. line sec. 33, T23N, R20W; 34.6 ft. S. of C/L OK. Hwy. #15; 5.4 ft. N. of S. R/W fence. USC&GS & State Marker. C/L Woodward W.T. about 2.5 mi. in azimuth 82°54'28"; C/L chimney on Roy Pitcher house about 1 mi. in azimuth 261°49'53"; C/L E. chimney on A.L. Russell house about 0.37 mi. in azimuth 296°29'28".

X-1, 603, 767.08 Y-524, 171.70 El. 1879.315 ft.

10-D-2-A TT 1934; Woodward Co., 0.12 mi. S. & 3.5 mi. E. of Woodward; 5.5 ft. E. of N-S $\frac{1}{4}$ sec. line fence sec. 34, T23N, R20W; 36.5 ft. S. of C/L OK. Hwy. #15; 3.0 ft. N. of S. R/W fence. Is a car axle driven in ground.

X-1, 609, 801.75 Y-523, 529.88

10-D-3 TT 1934; Woodward Co., 0.12 mi. S. & 3.87 mi. E. of Woodward; 736.7 ft. SW. along hwy. from E. line sec. 34, T23N, R20W; 35.6 ft. S. of C/L OK. Hwy. #15; 1.4 ft. N. of S. R/W fence. USC&GS & State Marker. C/L Woodward W.T. about 4 mi. in azimuth 85°56'47"; C/L chimney on house about 0.12 mi. in azimuth 188°34'19"; C/L Mooreland W.T. about 6.5 mi. in azimuth 265°39'49".

X-1, 611, 731.88 Y-524, 057.01 El. 1925.267 ft.

10-D-4 TT 1934; Woodward Co., 0.12 mi. S. & 4.5 mi. E. of Woodward; 32.9 ft. N. & 2205.0 ft. W. of approx. SE. cor. sec. 26, T23N, R20W; 2.1 ft. S. of N. R/W fence on OK. Hwy. #15. USC&GS & State Marker. C/L chimney on Henry Bulbb house about 0.5 mi. in azimuth 102°04'40"; C/L Mooreland W.T. about 5 mi. in azimuth 266°42'50"; C/L chimney on Boggy School about 0.5 mi. in azimuth 321°17'38".

X-1, 615, 552.72 Y-524, 905.80 El. 1904.186 ft.

10-D-4-A TT 1934; Woodward Co., 0.12 mi. S. & 4.87 mi. E. of Woodward; 36.6 ft. N. & 525.5 ft. W. of approx. SE. cor. sec. 26, T23N, R20W; 2.6 ft. N. of N. R/W fence on OK. Hwy. #15. Is a car axle driven in ground.

X-1, 617, 232.07 Y-524, 928.59

10-D-5 TT 1934; Woodward Co., 0.12 mi. S. & 6.0 mi. E. of Woodward; on OK. Hwy. #15; 2.9 ft. S. of sec. line common to sec's. 25 & 36, T23N, R20W; near approx. NE. cor. sec. 36; S. & W. of SW. cor. hwy. bridge of N. Canadian River; 16.0 ft. from guard rail. USC&GS & State Marker. C/L chimney on Walter White house about 0.25 mi. in azimuth 78°15'48"; C/L S. chimney on Dennis Endersby house about 0.25 mi. in azimuth 136°50'06"; C/L chimney on Earl Klines house about 1 mi. in azimuth 178°37'18".

X-1, 622, 361.41 Y-524, 868.34 El. 1853.858 ft.

10-D-6 TT 1934; Woodward Co., 0.12 mi. S. & 3.25 mi. W. of Mooreland; 39.0 ft. N. & 1519.0 ft. E. of approx. SW. cor. sec. 29, T23N, R19W; 2.5 ft. S. of N. R/W fence on OK. Hwy. #15. USC&GS & State Marker. C/L middle chimney on David Crites house about 2 mi. in azimuth 54°17'00"; C/L Mooreland W.T. about 3.25 mi. in azimuth 263°29'13"; C/L cor. chimney on Howard Hoover house about 0.12 mi. in azimuth 344°58'20".

X-1, 629, 762.01 Y-524, 800.16 El. 1871.176 ft.

- 10-D-7 TT 1934; Woodward Co., 1.25 mi.W.of Mooreland; on OK.Hwy.# 15; 22.7 ft.S.& 610.0 ft.E.of approx.NW.cor.sec.34,T23N,R19W. USC&GS & State Marker. C/L small RR signal about 0.25 mi.in azimuth 187°21'38"; C/L Mooreland W.T.in azimuth 252°58'06"; C/L cupelo on barn about 0.5 mi.in azimuth 357°19'32".
X-1,639,368.19 Y-524,619.11 El. 1892.150 ft.
- 10-D-7-A TT 1934; Woodward Co., 0.75 mi.W.of Mooreland; on OK. Hwy.#15; 30.5 ft.S.& 1143.0 ft.W.of approx.NE.cor.sec.34,T23N,R19W; 3.0 ft. N.of S.R/W fence. Is a bar of reinforcing steel driven flush with ground.
X-1,642,886.64 Y-524,580.40
- 10-D-8 TT 1934; Woodward Co., In Mooreland; 29.0 ft.N.& 39.6 ft.W. of intersection of OK.Hwy.#15 & S.Main St., 353.4 ft.from approx.NE.cor. of high school; 35.6 ft.from SE.cor.of Champlin Service Station. USC&GS & State Marker.
X-1,645,664.79 Y-524,610.91 El. 1888.048 ft.
- 10-D-9 TT 1934; Woodward Co., 0.9 mi.E.of Main St. in Mooreland; 370.0 ft.W.& 25.0 ft.S.of approx.N $\frac{1}{4}$ cor.sec.36,T23N,R19W; 1.25 ft.N.of fence line. USC&GS & State Marker. C/L point of N.gable of 2 story house about 1 mi.in azimuth 36°11'14"; C/L knob on Mooreland W.T.in azimuth 111°29'10"; C/L top RR signal tower about 0.5 mi.in azimuth 206°01'00".
X-1,651,514.08 Y-524,493.46 El. 1923.617 ft.
- 10-D-10 TT 1934; Woodward Co., 2.5 mi.E.of Mooreland; 29.3 ft.N.& 177.0 ft.W.of approx.SE.cor.sec.30,T23N,R18W; 1.7 ft.S.of N.R/W fence. USC&GS & State Marker. C/L knob on Mooreland W.T.in azimuth 99°13'55"; C/L spire on Curtis church about 1 mi.in azimuth 258°12'27"; C/L E.chimney on 2 story house about 0.37 mi.in azimuth 357°25'24".
X-1,659,597.86 Y-524,449.58 El. 1922.412 ft.
- 10-D-11 TT 1934; Woodward Co., 4.25 mi.E.of Mooreland on OK.Hwy.# 15; 48.5 ft.S.& 730.0 ft.E.of approx.N $\frac{1}{4}$ cor.sec.33,T23N,R18W; 9.5 ft.S. of S.R/W fence on bank of sand cut. USC&GS & State Marker. C/L windmill about 2.5 mi.in azimuth 15°54'27"; C/L knob on Mooreland W.T.in azimuth 96°07'32"; C/L spire on Curtis Church in azimuth 104°22'58".
X-1,668,417.06 Y-524,252.97 El. 1983.054 ft.
- 10-D-12 TT 1934; Woodward Co., 4.62 mi.E.of Mooreland; on OK.Hwy.# 15; 34.5 ft.S.& 596.0 ft.E.of approx.NW.cor.sec.34,T23N,R18W; 3.0 ft.S. of S.R/W fence. USC&GS & State Marker. C/L spire on Curtis Church in azimuth 99°23'16"; C/L point top of RR signal tower about 0.62 mi. in azimuth 193°48'52"; C/L point on top of RR standpipe signal tower about 0.75 mi.in azimuth 226°18'42".
X-1,670,901.52 Y-524,240.94 El. 1992.271 ft.
- 10-D-13 TT 1934; Woodward Co., 5.5 mi.E.of Mooreland; on OK.Hwy.# 15; 60.7 ft.N.& 463.0 ft.W.of approx.SE.cor.sec.27,T23N,R18W; on N.bank of cut in sand hill. USC&GS & State Marker. C/L spire on top of RR signal tower about 1.1 mi.in azimuth 237°53'34"; C/L chimney on 1 $\frac{1}{2}$ story frame house about 2.2 mi.in azimuth 258°16'25"; C/L W.chimney on 2 story house about 2.1 mi.in azimuth 266°51'03".
X-1,675,120.95 Y-524,274.79 El. 1969.063 ft.
- 10-D-14 TT 1934; Woodward Co., 7.0 mi.E.of Mooreland; on OK.Hwy.# 15; 27.2 ft.N.& 1923.0 ft.E.of approx.SW.cor.sec.25,T23N,R18W; 2.8 ft. S.of N.R/W fence. USC&GS & State Marker. C/L chimney on 1 $\frac{1}{2}$ story frame house about 1.1 mi.in azimuth 241°43'17"; C/L W.chimney on 2 story house about 0.6 mi.in azimuth 257°55'34"; C/L top NW.cor.W.chimney on 1 story frame house about 0.13 mi.in azimuth 320°16'52".
X-1,682,787.93 Y-524,149.93 El. 1785.666 ft.
- 10-D-15 TT 1934; Woodward Co., 7.5 mi.E.& 1.0 mi.N.of Mooreland; about 100.0 ft.N.& 13.0 ft.E.of approx.SW.cor.sec.24,T23N,R18W; 13.0 ft. W.of W.R/W fence OK.Hwy.#15; 110.0 ft.S.& 64.0 ft.W.of S.end of hwy. & AT&SF RR overpass. USC&GS & State Marker. C/L E.gable on 1 story frame house about 1.1 mi.in azimuth 109°46'55"; C/L windmill steel W.T. about 0.25 mi.in azimuth 179°24'45"; C/L chimney on 2 story frame house about 0.75 mi.in azimuth 359°16'49".
X-1,686,174.29 Y-529,416.25 El. 1867.044 ft.

10-D-16 TT 1934; Woodward Co., 0.5 mi. SW. of Quinlan; in sec. 19, T23N, R17W; on hill top 397.5 ft. E. of $\frac{1}{4}$ sec. line; 29.5 ft. N. of C/L road on curve; 2.0 ft. N. of fence. USC&GS & State Marker. C/L chimney on $1\frac{1}{2}$ story frame house about 0.5 mi. in azimuth $21^{\circ}42'40''$; C/L SE. cor. E. chimney below belt course on 1 story house about 0.6 mi. in azimuth $147^{\circ}26'51''$; C/L E. chimney on 2 story house about 1.8 mi. in azimuth $200^{\circ}00'20''$;
 X-1, 689, 124.43 Y-529, 801.96 El. 1859.984 ft.

10-D-16-A TT 1938; Woodward Co., 2.5 mi. S. & 1.0 mi. W. of Quinlan; 427.0 ft. N. & 284.0 ft. W. of approx. $E\frac{1}{2}$ cor. sec. 31, T23N, R17W; 262.0 ft. W. of W. R/W fence Co. road; 972.0 ft. SW. of intersection OK. Hwy. #15 with E. line of sec. on top of minor dome in an abandoned orchard. OSCC Marker. C/L steeple on Quinlan Church in azimuth $186^{\circ}53'32''$; C/L belfry on school house about 10 mi. in azimuth $302^{\circ}30'14''$; C/L chimney on 1 story house about 2 mi. in azimuth $358^{\circ}18'17''$.
 X-1, 690, 939.50 Y-521, 801.98 El. 1811.439 ft.

10-D-16-B TT 1938; Woodward Co., 3.0 mi. S. & 1.5 mi. E. of Quinlan; 960.0 ft. N. & 2.5 ft. E. of approx. $S\frac{1}{4}$ cor. sec. 34, T23N, R17W; 2.5 ft. E. of cross fence; 12.0 ft. N. of fragment cross fence E., 20.0 ft. N. of cedar tree; 30.0 ft. S. of dead cedar tree; 249.0 ft. N. of farm shack. OSCC Marker. C/L peak roof on elevator in Quinlan in azimuth $135^{\circ}44'52''$; C/L chimney on stucco house about 1.5 mi. in azimuth $208^{\circ}46'02''$; C/L chimney on schoolhouse on horizon about 2 mi. in azimuth $258^{\circ}10'34''$.
 X-1, 704, 348.45 Y-519, 451.82 El. 1771.078 ft.

10-D-16-C TT 1938; Woodward Co., 3.0 mi. S. & 0.2 mi. W. of Quinlan; 24.0 ft. S. & 1002.0 ft. W. of approx. NE. cor. sec. 5, T22N, R17W; 2.0 ft. N. of S. R/W fence closed twp. road; 47.0 ft. S. & 4.0 ft. E. of tree in N. R/W fence line. OSCC Marker. C/L chimney on 1 story farmhouse about 0.25 mi. in azimuth $97^{\circ}50'38''$; C/L steeple on Church in Quinlan in azimuth $165^{\circ}13'28''$; C/L chimney on 2 story wing-shaped house about 3 mi. in azimuth $318^{\circ}41'30''$.
 X-1, 695, 343.05 Y-518, 659.88 El. 1782.038

Garvey Tri. Sta., (Woodward Co., C.I.A. 1934) In Garvey; about 4.0 mi. a little W. of S. of Quinlan; about 0.5 mi. SW. of E.F. Rolland home; near center S. edge approx. $SE\frac{1}{4}$ sec. 7, T22N, R17W; 30.0 ft. S. of a line of cedar trees along SW-NE fence line on a high prominent knoll in pasture land, on property of H.B. Bradbury of Woodward, tenanted by Mr. Rolland. To reach sta. from Quinlan P.O. go W. & S. on OK. Hwy. #15 for 2.5 mi. to a point where hwy. makes a right turn (W.) in a cut; turn left (E.) on a dirt road & go 1 mi. to T. road S., turn right (S.) & go 2.9 mi. to point where road turns right (W.), turn right (W.) & go 0.1 mi., turn left (S.) & go 0.2 mi., turn right (W.) & go 0.2 mi. Station mark is 70.0 ft. N. of C/L road on a high prominent knoll. Mark projects 6 in. Surface, underground, reference, & azimuth marks are bronze tablets set in conc. & described according to notes 1a, 7a, & 11a.
 X-1, 689, 652.64 Y-508, 313.22 El. 1888.265 ft.

R.M. #1 is 176.74 ft. in fence line in azimuth $310^{\circ}18'17''$.
 El. 1879.664 ft.

R.M. #2 is 112.89 ft. in fence line in azimuth $05^{\circ}05'04''$.
 El. 1883.824 ft.

Azimuth mark is reached from station by going E. for 0.2 mi., turn left (N.) & go 0.2 mi., turn right (E.) & go 0.1 mi., mark is in E-W fence line; 50.0 ft. W. SW. of SW. cor. of house; 170.0 ft. SE. of C/L of road at a point where it breaks to N. & W. Mark projects 8 in. Azimuth mark is 0.4 mi. in azimuth $243^{\circ}25'36''$.
 El. 1844.322 ft.

10-D-17 TT 1934; Woodward Co., in SE. part of Quinlan; 383.0 ft. SW. of PI. on AT&SF RR curve; 2.0 ft. W. of E. RR R/W fence; 32.0 ft. E. of 3rd phone pole NE. of pole opposite signal block #3611; approx. 105.0 ft. E. of near rail of main track; on highest point of 20.0 ft. cut. USC&GS & State Marker. C/L Methodist Church spire in Quinlan in azimuth $139^{\circ}26'40''$; C/L E. chimney on 2 story house about 1.75 mi. in azimuth $183^{\circ}13'27''$; C/L E. chimney on Ernest Chastell 2 story frame house about 0.1 mi. in azimuth $288^{\circ}26'22''$.
 X-1, 692, 215.80 Y-530, 007.30 El. 1780.193 ft.

10-D-18 TT 1934; Woodward Co., 0.5 mi.NE.of Quinlan; in approx. SE. cor.SE.SE.sec.17,T23N,R17W; 70.0 ft.E.& 61.0 ft.N.of intersection of main track of AT&SF RR & S.line of sec., 57.0 ft.SW.of AT&SF RR & W.U.T. pole; 37.0 ft.E.of near rail of main track; approx. 250.0 ft.SW.of block #3602. USC&GS & State Marker. C/L spire on Quinlan Methodist Church in azimuth $48^{\circ}22'27''$; C/L chimney on 1 story sq.frame house about 0.5 mi.in azimuth $91^{\circ}15'26''$; C/L E.chimney on 2 story house about 1 mi.in azimuth $153^{\circ}13'07''$.

X-1,695,443.54 Y-534,514.93 El. 1708,335 ft.

10-D-19 TT 1934; Woodward Co., 1.5 mi.NE.of Quinlan; in AT&SF RR R/W; 37.0 ft.W.of W.rail; 41.6 ft.E.of W.R/W fence; 8.0 ft.W.of PI hub on RR curve. USC&GS & State Marker. C/L chimney on sq.frame house about 0.5 mi.in azimuth $51^{\circ}00'56''$; C/L SE.cor.of E.chimney on 2 story frame house about 1.1 mi.in azimuth $127^{\circ}05'07''$; C/L S.chimney on frame house about 2 mi.in azimuth $182^{\circ}21'17''$.

X-1,696,164.39 Y-537,247.54 El. 1686.982 ft.

Quinlan Tri.Sta., (Woodward Co., C.I.A. 1934) Approx. 0.25 mi.W.of E.line & 0.12 mi.S.of N.line of approx.NE $\frac{1}{2}$ sec.5,T23N,R17W; about 3.5 mi.N.by E.of Quinlan; in an E-W fence line between cultivated fields; 105.0 ft.W.of "T" fence cor.on property of C.E.Harper; To reach station from P.O.in Quinlan, go N.& E.on OK.Hwy.#15 for 1.95 mi.to a side road left; turn left & go 2.3 mi.N.to cross road; turn left & go 0.25 mi.to a N-S fence. Station is then 0.12 mi.S.& 35.0 yds.W., Surface, underground, reference, & azimuth marks are bronze tablets set in conc.& described according to notes 1b, 11b, & 11a.

X-1,695,379.60 Y-549,716.70 El. 1749.622 ft.

R.M.#1 is 129.75 ft.in fence line in azimuth $230^{\circ}32'06''$.

El. 1746.914 ft.

R.M.#2 is 122.92 ft.in fence line in azimuth $306^{\circ}17'22''$.

El. 1747.301 ft.

To reach azimuth mark from station, go 0.12 mi.N.to road, turn right & go 0.25 mi.E., turn right & go 0.4 mi.S.to top of grade & mark is on left in fence line. Azimuth mark is 30.0 ft.E.of C/L of road; 0.05 mi.N. of driveway leading to farmhouse about 0.4 mi.in azimuth $321^{\circ}55'08''$.

El. 1706.053 ft.

10-D-20 TT 1934; Woodward Co., 3.0 mi.NE.of Quinlan; 370.0 ft.E.& 456.0 ft.N.of intersection of R/W & sec.line between sec.9 & 16,T23N,R17W; 11.0 ft.E.of W.R/W fence; 86.0 ft.W.of W.rail of AT&SF RR; 4.7 ft.NE.of PI hub on RR curve. USC&GS & State Marker. C/L E.gable on 2 story house about 0.8 mi.in azimuth $86^{\circ}37'22''$; C/L chimney on frame house about 1.5 mi.in azimuth $132^{\circ}46'10''$; C/L point on AT&SF RR pipe stand signal tower about 0.5 mi.in azimuth $226^{\circ}26'03''$.

X-1,698,488.60 Y-540,151.63 El. 1647.637 ft.

10-D-21 TT 1934; Woodward Co., about 2.5 mi.E.& 1.5 mi.N.of Quinlan; 6934.0 ft.SE.of 10-D-20; on S.side of OK.Hwy.#15; 58.0 ft.S.of N.fence on S.bank of hwy.cut between sec.10 & 15,T23N,R17W. USC&GS & State Marker. C/L S.gable on main roof of 1 story house about 1.5 mi.in azimuth $155^{\circ}01'01''$; C/L chimney on $1\frac{1}{2}$ story house about 0.6 mi.in azimuth $251^{\circ}04'13''$; C/L E.chimney on $1\frac{1}{2}$ story frame house about 3.2 mi.in azimuth $354^{\circ}23'05''$.

X-1,705,397.88 Y-539,568.50 El. 1703.332 ft.

10-D-22 TT 1934; Woodward Co., 3.5 mi.E.& 1.5 mi.N.of Quinlan; 1.75 mi.N.of fence, 620.0 ft.W.of $\frac{1}{4}$ sec.line common to sec.12 & 13,T23N,R17W; in ranch pasture, no road allowance open. USC&GS & State Marker. C/L chimney on W.end of 1 story frame house about 2.7 mi.in azimuth $164^{\circ}50'26''$; C/L N.chimney on 1 story frame house about 3.7 mi.in azimuth $241^{\circ}12'48''$; C/L chimney on $1\frac{1}{2}$ story house about 2.7 mi.in azimuth $333^{\circ}46'10''$.

X-1,714,521.51 Y-539,400.92 El. 1654.160 ft.

10-D-23 TT 1934; Woodward Co., 4.0 mi.E.& 1.5 mi.N.of Quinlan; 816.8 ft.S.& 299.0 ft.W.of approx.NE.cor.sec.13,T23N,R17W; in ranch pasture on gyp hill. USC&GS & State Marker. C/L S.gable on $1\frac{1}{2}$ story house about 2.7

mi. in azimuth $228^{\circ}16'53''$; C/L W.gable on school about 5 mi. in azimuth $261^{\circ}04'46''$; C/L chimney on frame school about 2.7 mi. in azimuth $335^{\circ}11'06''$.

X-1,716,848.05 Y-538,652.67 El. 1607.176 ft.
10-D-24 TT 1934; Major Co., 5.0 mi. E. & 1.0 mi. N. of Quinlan; 2153.0 ft. N. of approx. SE. cor. sec. 18, T23N, R16W; 25.0 ft. W. of C/L of road; 2.5 ft. E. of W. R/W fence. USC&GS & State Marker. C/L spire on AT&SF RR signal tower about 1.6 mi. in azimuth $176^{\circ}06'03''$; C/L E. chimney on 1 story frame house about 0.75 mi. in azimuth $216^{\circ}29'06''$; C/L chimney on 1 story frame house about 0.75 mi. in azimuth $232^{\circ}41'56''$.

X-1,722,926.65 Y-536,200.05 El. 1509.052 ft.
10-D-25 TT 1934; Major Co., 6.0 mi. E. & 1.5 mi. N. of Quinlan; 1059.0 ft. N. & 33.0 ft. E. of approx. SW. cor. sec. 9, T23N, R16W; 2.5 ft. W. of E. R/W fence; 4.0 ft. S. of fence crossing R/W. USC&GS & State Marker. C/L point on AT&SF RR signal tower about 2 mi. in azimuth $132^{\circ}30'21''$; C/L chimney on 1 story house about 1 mi. in azimuth $181^{\circ}17'01''$; C/L S.gable on house about 1 mi. in azimuth $192^{\circ}10'36''$.

X-1,728,323.98 Y-540,728.71 El. 1479.488 ft.
10-D-26 TT 1934; Major Co., 7.0 mi. E. & 1.5 mi. N. of Quinlan; 538.0 ft. S. & 998.0 ft. W. of E. property line approx. NE $\frac{1}{4}$ sec. 16, T23N, R16W; on top of prominent knoll. USC&GS & State Marker. C/L S.gable on 1 story house about 0.3 mi. in azimuth $196^{\circ}41'54''$; C/L S.gable on $1\frac{1}{2}$ story house about 1.7 mi. in azimuth $221^{\circ}29'27''$; C/L W.gable on Lone Star School about 2.5 mi. in azimuth $249^{\circ}18'12''$.

X-1,732,542.23 Y-538,595.78 El. 1486.472 ft.
10-D-27 TT 1934; Major Co., 8.0 mi. E. & 1.0 mi. N. of Quinlan; 891.0 ft. N. of $\frac{1}{4}$ sec. line sec. 15, T23N, R16W; 25.0 ft. W. of C/L of road; 3.0 ft. W. of fence on top of sand cut. USC&GS & State Marker. C/L N. chimney on 1 story frame house about 0.5 mi. in azimuth $135^{\circ}06'51''$; C/L S.gable on $1\frac{1}{2}$ story frame house about 1 mi. in azimuth $169^{\circ}48'08''$; C/L S. chimney on house about 1.5 mi. in azimuth $264^{\circ}52'31''$.

X-1,738,764.15 Y-537,634.82 El. 1456.886 ft.
Campbell Tri. Sta., (Major Co., C.I.A. 1934) Located about middle of approx. SE $\frac{1}{4}$ sec. 25, T23N, R16W; on high bluff overlooking Cimarron River, to N. & E. in pasture land owned by Mr. Ray Campbell which breaks off sharply to NE. & W., slopes gradually to S. Mark is about 100.0 yds. S. of cave in rock formation & is on highest point on ridge. 81.0 ft. N. of S. edge of ridge, 101.0 ft. W. of E. edge of where ridge slopes off sharply. To reach from S. jct. of OK. Hwy's. #14 & #15, go E. on OK. Hwy. #15 for 0.25 mi., turn right on T-road & go S., 2.25 mi. to gate on left. Go through gate & follow farm trail SE. for 0.7 mi. to top of ridge. Leave trail & bear E. & N. up ridge for 0.8 mi. to highest point & station. Surface, underground, reference, & azimuth marks are bronze tablets set in conc. & described according to notes 1a, 7a, & 11a.

X-1,748,736.48 Y-524,624.10
R.M. #1 is 24.559 m. (80.59 ft.) & set 21.0 ft. W. of where ridge breaks sharply to E.
R.M. #2 is 23.320 m. (76.52 ft.) & set on spine of ridge just N. of where it slopes gradually to S.
Azimuth mark is set in E-W fence, 51.5 ft. W. of C/L OK. Hwy. #14 & #15; 42.0 ft. E. of E. bldg. line of country school, 144.0 ft. S. of S. bldg. line of school & is about 4 mi. in azimuth $165^{\circ}27'59''$; To reach azimuth mark from sta., go to gate into pasture in which sta. is located. Go, N. 2.25 mi., turn left for 0.25 mi. to a small gasoline station. Go, N. 1.7 mi. to a school on left & mark is in E-W fence line.

10-D-28 TT 1934; Major Co., 10.0 mi. E. & 1.0 mi. N. of Quinlan; 1839.0 ft. S. & 30.0 ft. E. of approx. NW. cor. sec. 13, T23N, R16W; 1.0 ft. W. of E. R/W fence, OK. Hwy's. #14 & #15. USC&GS & State Marker. C/L chimney on sq. house about 0.5 mi. in azimuth $50^{\circ}52'43''$; C/L chimney on Lone Star School about 0.75 mi. in azimuth $226^{\circ}09'35''$; C/L S. chimney on $1\frac{1}{2}$ story house about 0.6 mi. in azimuth $301^{\circ}41'49''$.

X-1,744,076.80 Y-537,155.64 El. 1432.457 ft.

10-D-29 TT 1934; Major Co., 11.0 mi.E. & 1.0 mi.N. of Quinlan; 5790.0 ft. SE. of 10-D-28; 52.5 ft.E. & 280.0 ft.N. of SW. property cor. of approx. NW $\frac{1}{4}$ sec. 18, T23N, R15W; on property of J.F. Barns, NE. of red barn; 0.5 ft. E. of 1st fence in small lane. USC&GS & State Marker. C/L E. chimney on 1 $\frac{1}{2}$ story frame house about 0.37 mi. in azimuth 160°26'11"; C/L chimney on school about 1.6 mi. in azimuth 314°34'25"; C/L chimney on house about 0.8 mi. in azimuth 345°55'16".

X-1,749,823.21 Y-536,462.24 El. 1403.970 ft.

10-D-30 TT 1934; Major Co., 12.0 mi.E. & 1.0 mi.N. of Quinlan; 6209.0 ft. SE. of 10-D-29; 613.0 ft.N. & 1327.0 ft.E. of approx. SW. cor. sec. 17, T23N, R15W; not far from W. bank of Cimarron River. USC&GS & State Marker. C/L chimney on school about 0.25 mi. in azimuth 29°37'23"; C/L SE. cor. chimney on 1 story frame house about 0.25 mi. in azimuth 142°46'46"; C/L W. edge of chimney on 1 story frame house about 0.11 mi. in azimuth 359°26'01".

X-1,755,595.96 Y-534,173.53 El. 1382.573 ft.

10-D-31 TT 1934; Major Co., 13.0 mi.E. of Quinlan; 4968.0 ft. SE. of 10-D-30; 1844.0 ft.N. & 180.0 ft.E. of approx. SW. cor. sec. 21, T23N, R15W; in pasture not far from S. bank of Cimarron River. USC&GS & State Marker. C/L SE. cor. chimney on 1 story house about 1.2 mi. in azimuth 130°19'01"; C/L steel windmill tower about 2 mi. in azimuth 143°06'28".

X-1,759,653.30 Y-531,304.55 El. 1344.950 ft.

10-D-32 TT 1934; Major Co., 12.0 mi.N. & 18.0 mi.W. of Fairview; 1.5 ft.N. & 1049.0 ft.E. of approx. NW. cor. sec. 27, T23N, R15W; in a pasture. USC & GS & State Marker. C/L chimney on 1 story frame house about 3.0 mi. in azimuth 127°43'15"; C/L chimney on school about 2.2 mi. in azimuth 306°57'40".

X-1,765,795.50 Y-526,951.15 El. 1361.956 ft.

10-D-33 TT 1934; Major Co., 1.5 mi.N. & 1.0 mi.W. of Togo; 4307.0 ft. SE. of 10-D-32; 36.0 ft.W. of row of locust trees on approx. property line of sec. 26, T23N, R15W; 2942.0 ft.N. of S. property line fence. USC&GS & State Marker.

X-1,769,988.32 Y-525,961.71 El. 1342.051 ft.

10-D-34 TT 1934; Major Co., 1.0 mi.N. of Togo; 24.0 ft.W. & 317.0 ft. N. of approx. SE. cor. sec. 26, T23N, R15W; on top of sand ridge. USC&GS & State Marker. C/L W. gable on 1 story house about 0.12 mi. in azimuth 255°38'23"; C/L N. gable on Togo school about 1.2 mi. in azimuth 333°39'00"; C/L NE. cor. chimney on stone house about 0.1 mi. in azimuth 347°32'35".

X-1,775,224.91 Y-523,273.91 El. 1352.672 ft.

10-D-35 TT 1934; Major Co., 1.0 mi.E. & 0.5 mi.N. of Togo; 1.0 ft.E. & 320.0 ft.N. of approx. SE. cor. NE $\frac{1}{4}$ sec. 36, T23N, R15W. USC&GS & State Marker. C/L chimney on 1 story house about 0.5 mi. in azimuth 01°57'47"; C/L N. gable on Togo school about 0.8 mi. in azimuth 42°40'07"; C/L SW. cor. chimney on 1 story house about 25.0 ft. in azimuth 236°31'49".

X-1,780,459.78 Y-520,582.85 El. 1335.644 ft.

10-D-36 TT 1934; Major Co., 2.0 mi.E. of Togo; 27.5 ft.W. & 525.0 ft. N. of approx. SE. cor. sec. 31, T23N, R14W; 1.0 ft.E. of property line fence. USC&GS & State Marker. C/L chimney on house about 1.06 mi. in azimuth 80°40'10"; C/L S. gable on 2 story house about 0.2 mi. in azimuth 193°56'02"; C/L N. gable on galv. iron barn about 1.7 mi. in azimuth 317°47'54".

X-1,785,431.99 Y-518,117.14 El. 1332.990 ft.

10-D-37 TT 1934; Major Co., 3.0 mi.E. of Togo; 6.5 ft.E. & 3339.0 ft.N. of approx. SW. cor. sec. 4, T22N, R14W; 0.5 ft.W. of property line fence, not far from S. bank of Cimarron River. USC&GS & State Marker. C/L N. gable on galv. iron barn about 0.5 mi. in azimuth 06°05'54"; C/L chimney on 1 story house about 2.1 mi. in azimuth 99°00'39"; C/L S. gable on 2 story house about 1.3 mi. in azimuth 127°40'59".

X-1,790,733.23 Y-515,634.97 El. 1324.171 ft.

10-D-38 TT 1934; Major Co., 3.0 mi.E. & 1.5 mi.S. of Togo; 555.8 ft.S. & 26.5 ft.W. of approx. E $\frac{1}{2}$ cor. sec. 8, T22N, R14W; 2.0 ft.E. of property line fence. USC&GS & State Marker. C/L N. gable on 1 story house about 0.5 mi. in azimuth 02°30'34"; C/L E. gable on 2 story frame house about 1 mi. in azimuth 63°22'38"; C/L S. gable stone house about 0.35 mi. in azimuth 213°

12'19".

X-1,790,619.11 Y-509,161.92 El. 1342.691 ft.
 10-D-39 TT 1934; Major Co., 7.5 mi.N. & 11.0 mi.W. of Fairview; 2.0 ft.E. of fence between sec.14 & 15, T22N, R14W; 1412.0 ft.N. of C/L OK.Hwy. #15. USC&GS & State Marker. C/L chimney on 1 story frame house about 1.1 mi. in azimuth 255°51'49"; C/L W.gable on barn about 2.3 mi. in azimuth 283°50'56"; C/L E.chimney on 2 story house about 2.3 mi. in azimuth 326°46'11".

X-1,801,099.77 Y-503,111.51 El. 1382.574 ft.
 10-D-40 TT 1934; Major Co., 6.5 mi.N. & 10.0 mi.W. of Fairview; 87.9 ft. from NW.cor. & 122.8 ft. from SW.cor. of Cheyenne Valley brick school; in approx. SE $\frac{1}{4}$ sec.23, T22N, R14W; 127.0 ft.W. of C/L OK.Hwy.#15. USC&GS & State Marker. C/L N.gable on frame house about 1.4 mi. in azimuth 14°38'48"; C/L S.gable on church about 0.11 mi. in azimuth 200°44'18"; C/L W.gable on barn about 1.3 mi. in azimuth 248°28'48".

X-1,806,037.64 Y-498,563.98 El. 1363.590 ft.
 10-D-41 TT 1934; Major Co., 5.0 mi.N. & 9.0 mi.W. of Fairview; in sec. 36, T22N, R14W; 80.0 ft.W. of C/L of road; 139.5 ft. from NE.cor. of steps on Cheyenne Valley Baptist Church. USC&GS & State Marker. C/L chimney on 2 story house about 1.1 mi. in azimuth 79°56'20"; C/L S.gable on $1\frac{1}{2}$ story house about 0.75 mi. in azimuth 179°48'17"; C/L W.gable on brick house about 1 mi. in azimuth 267°11'30".

X-1,811,500.32 Y-490,788.12 El. 1355.658 ft.
 10-D-42 TT 1934; Major Co., 4.5 mi.N. & 8.5 mi.W. of Fairview; 56.5 ft.W. of approx. N $\frac{1}{2}$ cor. sec.6, T21N, R13W; on Co.road, 1.0 ft. from S.fence line & 28.5 ft.S. of N.fence. USC&GS & State Marker. C/L E.chimney on 2 story house about 3.3 mi. in azimuth 140°41'22"; C/L W.gable on brick house about 1.25 mi. in azimuth 209°56'47"; C/L chimney on 1 story house about 0.75 mi. in azimuth 315°54'55".

X-1,813,906.90 Y-485,841.11 El. 1379.039 ft.
 10-D-43 TT 1934; Major Co., 3.25 mi.N. & 8.0 mi.W. of Fairview; 1233.0 ft.S. & 271.0 ft.E. of approx. NW.cor. sec.8, T21N, R13W; (sec.lines closed) on curved road through gap in hills. USC&GS & State Marker. C/L N.gable on barn about 2.5 mi. in azimuth 307°29'15"; C/L N.gable on Red Top School about 1 mi. in azimuth 327°23'13".

X-1,816,906.36 Y-479,250.72 El. 1460.353 ft.
 10-D-43-A TT 1934; Major Co., 3.0 mi.N. & 8.0 mi.W. of Fairview; at approx. NW.cor. sec.9, T21N, R13W; punch marked rivet set in conc. 1.0 ft. below ground.

X-1,818,066.08 Y-478,592.71 El. 1418.189 ft.
 10-D-44 TT 1934; Major Co., 3.0 mi.N. & 7.5 mi.W. of Fairview; 1256.0 ft. SE. of intermediate point 10-D-43-A & 2590.0 ft. SE. of 10-D-43, on the diversion road on $\frac{1}{4}$ sec. line; 194.5 ft.N. of E-W $\frac{1}{4}$ sec. line in sec.8, T21N, R13W; 22.2 ft. from C/L of road & 2.0 ft.E. of W.fence. USC&GS & State Marker. C/L S.gable of frame house about 0.5 mi. in azimuth 220°32'43"; C/L W.gable on main roof of house about 0.25 mi. in azimuth 268°37'56"; C/L N.gable on barn about 2.7 mi. in azimuth 310°07'18".

X-1,819,244.53 Y-478,157.41 El. 1418.189 ft.
 10-D-45 TT 1934; Major Co., 2.5 mi.N. & 6.2 mi.W. of Fairview; 7400.0 ft. SE. of 10-D-44 on Co.road; 1.5 ft. from N.fence line & 1043.0 ft.W. of approx. SE.cor. sec.9, T21N, R13W; USC&GS & State Marker. C/L S.gable on $1\frac{1}{2}$ story house about 0.04 mi. in azimuth 174°01'43"; C/L highest chimney on 2 story house about 1 mi. in azimuth 269°12'03"; C/L N.gable on barn about 1.2 mi. in azimuth 333°53'28".

X-1,826,067.19 Y-475,299.40 El. 1374.659 ft.
 10-D-46 TT 1934; Major Co., 2.0 mi.N. & 5.0 mi.W. of Fairview; 152.5 ft.W. & 664.0 ft.N. of approx. E $\frac{1}{2}$ cor. sec.15, T21N, R13W. USC&GS & State Marker. C/L N.gable on barn about 1 mi. in azimuth 52°16'22"; C/L highest chimney on 2 story house about 0.06 mi. in azimuth 149°51'45"; C/L N.chimney on 2 story house about 0.6 mi. in azimuth 256°58'13".

X-1,832,234.59 Y-473,278.05 El. 1369.573 ft.

10-D-47 TT 1934; Major Co., 2.0 mi.N.& 4.0 mi.W.of Fairview; 26.5 ft.from C/L of road & 128.0 ft.N.of $\frac{1}{4}$ sec.line common to sec.13 & 14, T21N,R13W; 1.0 ft.E.of W.R/W fence line Co.road. USC&GS & State Marker. C/L N.gable on 1 story house about 0.6 mi.in azimuth $19^{\circ}28'38''$; C/L N. chimney on 1 story house about 0.5 mi.in azimuth $216^{\circ}07'26''$; C/L knob on AT&SF RR W.T.at Fairview in azimuth $302^{\circ}35'13''$.

X-1,837,583.18 Y-472,727.97 El. 1351.781 ft.

10-D-48 TT 1934; Major Co., 1.5 mi.N.& 3.0 mi.W.of Fairview; 20.7 ft.E.& 360.5 ft.N.of approx.SE.cor.sec.13,T21N,R13W; 1.2 ft.W.of E.R/W fence line. USC&GS & State Marker. C/L N.chimney on 1 story house about 1.5 mi.in azimuth $141^{\circ}05'24''$; C/L chimney on German church about 3.2 mi. in azimuth $234^{\circ}51'38''$; C/L knob on AT&SF RR W.T.in Fairview in azimuth $304^{\circ}59'29''$.

X-1,842,888.82 Y-470,246.34 El. 1343.330 ft.

10-D-49 TT 1934; Major Co., 1.3 mi.N.& 2.0 mi.W.of Fairview; 23.9 ft.E.& 862.0 ft.S.of approx.NW.cor.sec.20,T21N,R12W; 1.4 ft.from R/W fence. USC&GS & State Marker. C/L N.gable on 2 story house about 0.25 mi.in azimuth $06^{\circ}55'58''$; C/L German church chimney about 2.5 mi.in azimuth $211^{\circ}23'07''$; C/L knob on AT&SF RR W.T. in Fairview, in azimuth $313^{\circ}37'57''$.

X-1,848,136.20 Y-469,037.94 El. 1327.651 ft.

7-D-36 TT 1934; Junction Station. See Traverse 7-D.

Traverse 10-E; Woodward, Ellis, & Harper Co's.

10-C-3 TT 1934 to 11-C-9 TT 1934

North Projection

10-C-3 TT 1934; Junction Station. See Traverse 10-C.

10-E-1 TT 1936; Woodward Co., 1.0 mi.W.& 0.75 mi.N.of Woodward P.O., 39.0 ft.W.& approx. 690.0 ft.S.of approx.NE.cor.sec.26,T23N,R21W; 12.0 ft.W.of W.R/W fence & 150.0 ft.N.of N.cottonwood tree. OSCC Marker. C/L Woodward Co.C.H.in azimuth $212^{\circ}11'06''$; C/L Woodward supply tank about 3 mi.in azimuth $219^{\circ}21'50''$; C/L Woodward W.T.in azimuth $323^{\circ}47'10''$.

X-1,586,146.22 Y-529,331.99 El. 1935.228 ft.

10-E-3 TT 1936; Woodward Co., 2.0 mi.W.& 0.87 mi.N.of Woodward; 30.0 ft.S.& 123.7 ft.E.of approx.NW.cor.sec.26,T23N,R21W; 3.0 ft.N.of S. R/W fence on Co.road. OSCC Marker. C/L smokestack on Woodward Fuller Earth plant about 5 mi.in azimuth $106^{\circ}04'07''$; C/L city supply tank about 2.5 mi.in azimuth $232^{\circ}01'22''$; C/L Woodward W.T.in azimuth $306^{\circ}33'57''$.

X-1,580,971.33 Y-530,088.34 El. 1939.729 ft.

10-E-4 TT 1934; Woodward Co., 3.5 mi.NW.of Woodward; via US.Hwy.# 270; in approx.center SW $\frac{1}{4}$ sec.22,T23N,R21W; on top of sand clay knoll 54.0 ft.NE.of C/L hwy; 120.2 ft.N.of NE.hdw.of 8 x 4 ft.conc.culvert under hwy. OSCC Marker. C/L Fuller Earth Smoke stack about 5 mi.in azimuth $105^{\circ}12'04''$; C/L Woodward supply tank about 3 mi.in azimuth $241^{\circ}16'39''$; C/L Woodward W.T.in azimuth $302^{\circ}15'51''$.

X-1,576,860.13 Y-531,570.17 El. 1940.073 ft.

10-E-5 TT 1936; Woodward Co., 5.65 mi.NW.of Woodward; via US.Hwy.# 270; approx. 400.0 ft.E.of center sec.17,T23N,R21W; in line of cross fence to W. & 3.0 ft.E.of cor.post in SW.R/W fence. OSCC Marker. C/L N. gable on 2 story farmhouse about 0.38 mi.in azimuth $07^{\circ}36'55''$; C/L city water supply tank about 3 mi.in azimuth $261^{\circ}21'25''$; C/L Woodward water supply tank in azimuth $304^{\circ}05'10''$.

X-1,567,986.04 Y-538,220.29 El. 1945.665 ft.

10-E-6 TT 1936; Woodward Co., 7.65 mi.NW.of Woodward; 7.9 mi.SE.of Supply via US.Hwy.#270; in approx.SW $\frac{1}{4}$ sec.7,T23N,R21W; on top of sandy ridge 2.5 ft.W.of E.R/W fence; 65.0 ft.SE.of cor.post in range line fence. OSCC Marker. C/L water supply tank in azimuth $272^{\circ}49'48''$; C/L Woodward W.T.in azimuth $305^{\circ}14'13''$; C/L spire on belfry on schoolhouse in azimuth $314^{\circ}46'23''$.

X-1,560,110.05 Y-544,468.20 El. 2136.408 ft.

10-E-7 TT 1936; Woodward Co., 8.55 mi.NW.of Woodward; 7.0 mi.SE.of Supply, via US.Hwy.#270; in approx.NW.cor.SE $\frac{1}{4}$ sec.1,T23N,R22W; on top of sandy knoll; 3.0 ft.W.of E.R/W fence; 100.0 ft.S.of N.end of hwy.cut. OSCC Marker. C/L city supply tank in azimuth 278°03'31"; C/L Woodward W.T.in azimuth 307°35'36"; C/L smoke stack on Fuller Earth Plant in Woodward, about 5 mi.in azimuth 357°07'31".

X-1,557,820.78 Y-548,197.87 El. 2153.739 ft.

10-E-8 TT 1936; Woodward Co., 10.05 mi.NW.of Woodward & 5.5 mi.SE. of Supply; via US.Hwy.#270; in approx.NE $\frac{1}{4}$ sec.35,T24N,R22W; on top of sandy knoll 3.0 ft.E.of W.R/W fence; 100.0 ft.N.of S.end of hwy.cut.OSCC Marker. C/L Western Okla.State Hospital W.T.in azimuth 154°41'32".

X-1,554,528.20 Y-555,124.65 El. 2126.914 ft.

10-E-9 TT 1936; Woodward Co., 3.8 mi.SE.of Supply; via US.Hwy.#270; in sec.23,T24N,R22W; on sandy knoll; 3.0 ft.E.of E.R/W fence; about 600.0 ft.SE.of windmill & stock tank on opposite side of hwy., 573.5 ft.N. of offset in E.R/W fence. OSCC Marker. C/L Western Okla.State Hospital W.T. in azimuth 153°58'17".

X-1,551,038.93 Y-562,942.29 El. 2081.674 ft.

10-E-10 TT 1936; Woodward Co., 2.5 mi.SE.of Supply, via US.Hwy. # 270; in sec.15,T24N,R22W; about 2000.0 ft.S.of hwy.curve E.of bridge over Wolf Creek; on top of sandy knoll; 3.0 ft.W.of W.R/W fence; 250.0 ft.S.of 2 scrub cottonwood trees on W.R/W margin. OSCC Marker. C/L W.T. at Western Okla.Hospital in azimuth 153°38'05".

X-1,548,223.98 Y-568,807.23 El. 2031.023 ft.

10-E-11 TT 1936; Woodward Co., 2.0 mi.SE.of Supply, via US.Hwy.# 270; in sec.15,T24N,R22W; 81.5 ft.N.of N.gate post in E.R/W fence; 2.5 ft.W.of E.R/W fence; 68.0 ft.from C/L hwy; approx. 300.0 ft.N.of P.C.of curve on hwy. OSCC Marker. C/L W.T.at Western Okla.Hospital in azimuth 151°50'22".

X-1,547,125.19 Y-571,400.89 El. 1982.780 ft.

10-E-12 TT 1936; Woodward Co., 0.9 mi.SE.of Supply, via US.Hwy. # 270; in approx.NW.cor.SE.SE.sec.9,T24N,R22W; 6.0 ft.S.of electric pole (guyed by two cables) between US.Hwy.#270 & MK&T RR S.of Western Okla. State Hospital; 56.8 ft.S.of S.rail; in range of cross fence & powerline to S., 168.0 ft.E.of C/L of main entrance to Hospital grounds. OSCC Marker. C/L spire on Supply Church in azimuth 98°23'18"; C/L Western Okla. Hospital W.T.in azimuth 233°30'18".

X-1,543,019.96 Y-574,934.12 El. 1996.904 ft.

10-E-13 TT 1936; Woodward Co., 0.5 mi.SE.of Supply, via US.Hwy. # 270; in approx.SE.SW.sec.9,T24N,R22W; 7.0 ft.S.& 9.0 ft.E.of SW.cor.post of cemetery; 5.0 ft.S.of cemetery fence; 41.0 ft.N.of N.rail of MK&T RR. OSCC Marker. C/L spire on Supply Church in azimuth 84°53'26"; C/L Supply tank of Western Okla.Hospital in azimuth 265°16'46".

X-1,541,193.54 Y-575,825.61 El. 1999.514 ft.

10-E-14 TT 1936 = USC&GS BM F-106; Woodward Co., At Supply; 315.0 ft.E.of MK&T RR depot; 75.0 ft.W.of MP.#235; 45.0 ft.N.of near rail. Std.disk set in conc.post stamped "F-106 1934" & 10-E-14 1936". C/L spire on Supply Church in azimuth 12°14'28"; C/L Western Okla.Hospital water supply tank in azimuth 278°11'33".

X-1,538,857.49 Y-576,935.27 El. 1994.268 ft.

10-E-15 TT 1936; Woodward Co., 0.5 mi.NW.of Supply; via US.Hwy. # 270; in approx.NW $\frac{1}{4}$ sec.8,T24N,R22W; on earth dike barrow pit baffle about 3.0 ft.NE.of SW.R/W fence; 43.0 ft.W.of W.hdw.of a 2 x 2 ft. conc. culvert. OSCC Marker. C/L N.gable on 2 story house about 0.5 mi.in azimuth 24°49'16"; C/L Western Okla.Hospital W.T.in azimuth 275°13'51"; C/L spire on Supply Church in azimuth 294°38'21".

X-1,535,651.56 Y-576,927.74 El. 2014.541 ft.

10-E-16 TT 1936; Woodward Co., 1.3 mi.NW.of Supply, via US.Hwy.# 270; in approx.SW.SE.sec.6,T24N,R22W; about 50.0 ft.NE.of C/L of hwy., about 300.0 ft.E.of E.end of conc.hwy.bridge. OSCC Marker. C/L N.gable on 2 story farmhouse in azimuth 26°18'56"; C/L N.chimney on 4 room house

in azimuth $106^{\circ}39'46''$; C/L Western Okla. Hospital W.T. in azimuth $282^{\circ}59'41''$.

X-1,532,178.82 Y-578,975.21 El. 2012.695 ft.

10-E-17 TT 1936 = USC&GS BM G-106; Woodward Co., 2.0 mi. NW. of MK&T RR depot at Supply; 50.0 ft. SE. of sec. line road dividing Woodward & Ellis Co's., 25.0 ft. S. of 2nd post NW. of MP #237; 18.0 ft. N. of near rail MK&T RR track; disk set in conc. post stamped "G-106 1934" & "10-E-17 1936". C/L Western Okla. Hospital tank in azimuth $286^{\circ}28'20''$; C/L N. chimney on 4 room house about 0.19 mi. in azimuth $359^{\circ}19'40''$.

X-1,528,810.20 Y-580,777.62 El. 1996.577 ft.

10-E-18 TT 1936; Ellis Co., 3.9 mi. NW. of Supply; via US. Hwy. #270; in approx. NE. cor. NW. sec. 2, T24N, R23W; about 240.0 ft. SE. of Ellis-Harper Co. line, measured along SW. R/W fence; 76.0 ft. from C/L hwy., 94.0 ft. S. of Ellis-Harper Co. line & NE. of R/W fence. OSCC Marker.

X-1,519,830.52 Y-583,866.43 El. 2002.063 ft.

Wingo Tri. Sta., (Ellis Co., C.I.A. 1934) - 4.5 mi. W. & 0.6 mi. S. of Supply; in approx. SW $\frac{1}{4}$ sec. 10, T24N, R23W; in the house lot of Mrs. Wingo who lives on the property. Mark is placed 78.0 ft. N. of N. edge of house; 98.0 ft. E. of well which has 20.0 ft. windmill over it, about 30.0 ft. S. of S. edge of cultivated field. Sta., underground, reference, & azimuth marks are bronze tablets set in conc. as described in notes 1b, 7a, & 11a.

X-1,514,718.93 Y-574,155.65

R.M.#1 is 21.016 m. (68.95 ft.) in azimuth $284^{\circ}03'31''$; set in W. fence of chicken yard, 5.0 ft. W. of N.W. cor.

R.M.#2 is 14.164 m. (46.47 ft.) in azimuth $128^{\circ}22'35''$; set at SE. cor. of implement shed.

Azimuth mark is 0.65 mi. in azimuth $271^{\circ}54'27''$.

C/L Phillips pipe line tank about 3.5 mi. S. of Laverne in azimuth $117^{\circ}03'53''$.

Azimuth mark is in N-S fence line, 52.0 ft. N. of C/L of E-W road, 24.0 ft. N. of fence cor., 86.0 ft. W. of C/L N-S road.

10-E-19 TT 1936; = USC&GS BM H-106; Harper Co., 1.9 mi. SE. of MK&T RR at depot in Dunlap; 200.0 ft. NW. of sec. line road; 90.0 ft. S. of MP. #239; 45.0 ft. S. of near rail MK&T RR track. Std. disk set in conc. post & stamped "H-106 1934" & "10-E-19 1936".

X-1,519,701.35 Y-584,347.78 El. 2000.114 ft.

10-E-20 TT 1936; Harper Co., 5.3 mi. NW. of Supply; 5.55 mi. SE. of May, via US. Hwy. #270; in approx. SW. NW. sec. 35, T25N, R23W; 2.5 ft. S. of S. R/W fence on top of S. spoil bank of MK&T RR cut; 190.0 ft. N. of W. end of N. hdw. of double 10 x 4 ft. conc. culvert under US. Hwy. #270. OSCC Marker. C/L flagpole on Dunlap school in azimuth $114^{\circ}33'30''$.

X-1,513,262.39 Y-586,950.85 El. 2031.643 ft.

10-E-21 TT 1936; Harper Co., 5.9 mi. NW. of Supply; 0.25 mi. S. & 0.25 mi. E. of Dunlap; 4.95 mi. SE. of May, via US. Hwy. #270; in approx. SE. cor. SW. NW. sec. 34, T25N, R23W; 2.5 ft. S. of N. R/W fence & in range of cross fence to N. OSCC Marker. C/L cupola on Dunlap school in azimuth $149^{\circ}54'52''$; C/L N. chimney on 2 story house in azimuth $338^{\circ}12'20''$.

X-1,510,040.24 Y-586,850.68 El. 2058.602 ft.

10-E-22 TT 1936; Harper Co., 7.8 mi. NW. of Supply & 3.05 mi. SE. of May, via US. Hwy. #270; in approx. NE. SW. sec. 32, T25N, R23W; about 300.0 ft. W. of PC of hwy. curve; 68.4 ft. S. of C/L hwy; in line of half sec. line fence to W., 118.2 ft. S. & 21.0 ft. E. of double braced angle post in N. R/W fence. OSCC Marker. C/L gable on May Church in azimuth $115^{\circ}13'36''$; C/L chimney on $1\frac{1}{2}$ story house about 3 mi. in azimuth $353^{\circ}44'26''$.

X-1,500,524.38 Y-586,922.87 El. 2113.526 ft.

10-E-23 TT 1936; Harper Co., 2.25 mi. SE. of May, via US. Hwy. #270; in sec. 31, T25N, R23W; 41.0 ft. N. of C/L hwy. on small knoll. OSCC Marker. C/L S. gable on May Church in azimuth $115^{\circ}39'55''$.

X-1,496,855.61 Y-588,543.65 El. 2076.425 ft.

10-E-24 TT 1936; Harper Co., 0.75 mi. SE. of May, via US. Hwy. #270; in sec. 30, T25N, R23W; 3.2 ft. N. of S. R/W fence; 46.5 ft. S. of C/L hwy. OSCC Marker. C/L chimney on 4 room house in azimuth $76^{\circ}50'04''$; C/L SE. cor.

- chimney on May Church in azimuth $123^{\circ}53'24''$.
 X-1,490,255.41 Y-591,309.37 El. 2047.551 ft.
 10-E-25 TT 1936 = USC&GS BM L-106; Harper Co., At May, 0.3 mi.E. of MK&T RR depot; 35.0 ft.N. of track over RR bridge #245-3; 5.0 ft.W. of 10th tel.pole W. of MP.#245. Disk set in conc.post stamped "L-106 1934" & "10-E-25 1936". C/L chimney on May school in azimuth $94^{\circ}14'19''$; C/L chimney on 4 room house in azimuth $356^{\circ}38'14''$.
 X-1,487,664.89 Y-592,633.29 El. 2038.658 ft.
 10-E-26 TT 1936; Harper Co., 0.5 mi.NW. of May, via US.Hwy.#270; in sec.27,T25N,R24W; on S.side of MK&T RR track; 24.4 ft.S. of S.rail; 5.8 ft.W. of crossing fence; 312.0 ft.E. of first crossing W. of May. OSCC Marker. C/L eve on 6 room farmhouse about 0.5 mi. in azimuth $43^{\circ}39'22''$; C/L chimney on $1\frac{1}{2}$ story farmhouse about 1 mi. in azimuth $120^{\circ}57'22''$.
 X-1,482,668.52 Y-594,723.45 El. 2045.758 ft.
 10-E-27 TT 1936; Harper Co., 1.0 mi.NW. of May, via US.Hwy.#270; in approx.SW.cor.sec.22,T25N,R24W; 345.6 ft.W. of transformer pole in N.R/W fence; 2.5 ft.S. of N.R/W fence; 101.0 ft.N. & 8.4 ft.E. of cor. of hedge on S.side of road. OSCC Marker. C/L chimney on 4 room house about 2 mi. in azimuth $25^{\circ}30'32''$.
 X-1,479,665.53 Y-595,342.88 El. 2060.616 ft.
 10-E-28 TT 1936; Harper Co., 2.0 mi.NW. of May, via US.Hwy.#270; in sec.28,T25N,R24W; on top of prominent ridge 44.9 ft.S. of C/L hwy. OSCC Marker. C/L chimney on farmhouse about 2 mi. in azimuth $90^{\circ}08'02''$; C/L W.T. at booster sta. about 5 mi. in azimuth $138^{\circ}04'27''$.
 X-1,474,823.51 Y-595,359.68 El. 2112.521 ft.
 10-E-29 TT 1936; Harper Co., 4.1 mi.W. of May, via US.Hwy.#270; in sec.19,T25N,R24W; on top of high ridge; about 2.0 ft.S. of N.R/W fence. OSCC Marker. C/L S.chimney on house about 4 mi. in azimuth $19^{\circ}26'50''$; C/L W.T. at booster sta. about 4 mi. in azimuth $126^{\circ}40'25''$.
 X-1,464,007.43 Y-595,655.39 El. 2198.437 ft.
 10-E-30 TT 1936; Harper Co., 6.4 mi.W. of May, via US.Hwy.#270; in sec.26,T25N,R25W; on top of sandy ridge; 2.5 ft.N. of S.R/W fence. OSCC Marker. C/L W.T. at booster sta. about 4 mi. in azimuth $112^{\circ}24'17''$.
 X-1,452,426.82 Y-595,731.78 El. 2236.396 ft.
 11-C-9 TT 1934; Junction Station. See Traverse 11-C.

Traverse 10-F; Woodward & Harper Co's.

10-E-16 TT 1936 to 11-C-30 TT 1936

North Projection

- 10-E-16 TT 1936; Junction Station. See Traverse 10-E.
 10-F-1 TT 1936; Woodward Co., 0.5 mi.W. & 0.5 mi.N. of Supply, via OK.Hwy.#34; in approx.NE $\frac{1}{4}$ sec.6,T24N,R22W; 2.0 ft.S. of S.post in W.guard rail of conc.hwy. bridge over Beaver River. OSCC Marker. C/L chimney on 4 room frame house in azimuth $66^{\circ}39'36''$; C/L Western Okla.Hospital W.T. in azimuth $296^{\circ}36'36''$.
 X-1,533,156.01 Y-581,842.18 El. 1990.916 ft.
 10-F-2 TT 1936; Harper Co., 0.5 mi.W. & 1.6 mi.N. of Supply, via OK.Hwy.#34; in sec.32,T25N,R22W; about 2900.0 ft.N. of sec.line fence between Woodward & Harper Co., 2.5 ft.E. of E.R/W fence on top of high sandy knoll. OSCC Marker. C/L steeple on Supply Church in azimuth $328^{\circ}34'08''$.
 X-1,531,850.94 Y-586,575.63 El. 2012.641 ft.
 10-F-3 TT 1936; Harper Co., 3.0 mi.NW. of Supply, via OK.Hwy.#34; in approx.SW $\frac{1}{4}$ sec.29,T25N,R22W; 2.5 ft.E. of E.R/W fence; on top of high red clay ridge. OSCC Marker. C/L Western Okla.Hospital W.T. in azimuth $314^{\circ}20'28''$.
 X-1,529,869.76 Y-590,506.69 El. 2074.237 ft.
 10-F-4 TT 1936; Harper Co., 4.0 mi.NW. of Supply, via OK.Hwy.#34; in approx.NW $\frac{1}{4}$ sec.30,T25N,R22W; on top of sandy ridge on W.side of hwy., in offset angle of R/W fence. OSCC Marker. C/L E.eve on Dunlap Schoolhouse

in azimuth $72^{\circ}36'20''$.

X-1,527,435.03 Y-594,816.73 El. 2126.186 ft.

10-F-5 TT 1936; Harper Co., 6.1 mi.NW.of Supply, via OK.Hwy.#34; in sec.13,T25N,R23W; in offset angle of R/W fence; 55.0 ft.E.of C/L of hwy. OSCC Marker.

X-1,522,347.84 Y-604,533.02 El. 2176.891 ft.

10-F-6 TT 1936; Harper Co., 6.8 mi.NW.of Supply, via OK.Hwy.#34; in approx. $SW\frac{1}{4}$ sec.12,T25N,R23W; on red shale ridge on W.side of hwy., 53.2 ft.W.of C/L hwy. opposite center of curve. OSCC Marker. C/L SW chimney on schoolhouse about 1 mi.in azimuth $117^{\circ}09'16''$.

X-1,520,550.18 Y-607,677.95 El. 2163.015 ft.

10-F-7 TT 1936; Harper Co., 8.0 mi.NW.of Supply, via OK.Hwy.#34; in approx. $SE\frac{1}{4}$ sec.2,T26N,R23W; 47.7 ft.W.of C/L of hwy.curve; 2.5 ft.E. of W.R/W fence opposite center of curve. OSCC Marker.

X-1,518,857.27 Y-613,223.62 El. 2088.958 ft.

10-F-8 TT 1936; Harper Co., 9.0 mi.NW.of Supply; 10.4 mi.SE. of Buffalo; via OK.Hwy.#34; in sec.35,T26N,R23W; on top of hill about 1781.0 ft.S.of E-W cross fence; 4.0 ft.W.of E.R/W fence; 67.0 ft.E. of C/L hwy. OSCC Marker. C/L NE.cor.of chimney on Schoolhouse about 1 mi. in azimuth $34^{\circ}00'49''$; C/L NE.cor.chimney on Schoolhouse about 2 mi. in azimuth $107^{\circ}05'28''$.

X-1,519,269.01 Y-618,405.81 El. 2119.225 ft.

10-F-9 TT 1936; Harper Co., 9.7 mi.NW.of Supply; 9.85 mi.SE.of Buffalo; via OK.Hwy.#34; in sec.26,T26N,R23W; about 2.5 ft.E.of W. R/W fence; 33.1 ft.N.of C/L sec.line road common to sec.26 & 35; 43.7 ft.W. of hwy. OSCC Marker.

X-1,518,968.76 Y-621,509.28 El. 2109.895 ft.

10-F-10 TT 1936; Harper Co., 11.1 mi.NW.of Supply; 8.5 mi.SE. of Buffalo, via OK.Hwy.#34; in sec.26,T26N,R23W; about 3.6 ft.E.of W. R/W fence, opposite center of curve, directly S.of haystack butte; about 400.0 ft.N.of P.C.of curve; 41.0 ft.N.of N.gate post in pasture R/W fence; 47.5 ft.W.of C/L hwy. OSCC Marker.

X-1,519,525.29 Y-628,291.50 El. 2155.709 ft.

10-F-11 TT 1936; Harper Co., 11.5 mi.NW.of Supply; 8.25 mi.SE. of Buffalo, via OK.Hwy.#34; in approx. $SW\frac{1}{4}$ sec.24,T26N,R23W; on N.brow of red clay hill; 200.0 ft.S.of P.C.of curve. OSCC Marker. C/L comb on S. wing of 3 room frame house about 0.25 mi.in azimuth $180^{\circ}39'56''$.

X-1,520,065.93 Y-629,223.74 El. 2148.336 ft.

10-F-12 TT 1936; Harper Co., 12.4 mi.NW.of Supply; 7.4 mi.SE. of Buffalo, via OK.Hwy.#34; in approx. $SW\frac{1}{4}$ sec.13,T26N,R23W; 152.0 ft.S.of S.gate post in E.R/W fence on top of small ridge; 2.5 ft.W.of E.R/W fence; 56.0 ft.E.of C/L of hwy. OSCC Marker.

X-1,521,217.60 Y-633,717.56 El. 2050.021 ft.

10-F-13 TT 1936; Harper Co., 13.1 mi.NW.of Supply; 6.65 mi.SE. of Buffalo; via OK.Hwy.#34; in sec.13,T26N,R23W; 3.0 ft.S.of S.R/W fence on intersecting Co.road & 3.0 ft.W.of W.R/W fence in fence cor. OSCC Marker.

X-1,521,529.65 Y-637,401.31 El. 2040.037 ft.

10-F-14 TT 1936; Harper Co., 13.4 mi.NW.of Supply; 6.4 mi.SE. of Buffalo, via OK.Hwy.#34; in approx. $SW\frac{1}{4}$ sec.12,T26N,R23W; on top of red clay ridge; 300.0 ft.S.of P.C.of curve, on E.side of hwy., 3.0 ft.W.of E.R/W fence. OSCC Marker.

X-1,522,173.67 Y-638,594.73 El. 2037.153 ft.

10-F-15 TT 1936; Harper Co., 14.0 mi.NW.of Supply; 5.8 mi.SE.of Buffalo, via OK.Hwy.#34; in NW.sec.12,T26N,R23W; on top of red clay bank of hwy.cut; 3.0 ft.E.of W.R/W fence. OSCC Marker. C/L NE.cor.chimney on 3 room farmhouse about 3 mi.in azimuth $223^{\circ}43'48''$; C/L SE.cor.chimney on 4 room farmhouse about 1 mi.in azimuth $260^{\circ}48'06''$.

X-1,522,819.12 Y-641,861.10 El. 1992.407 ft.

10-F-16 TT 1936; Harper Co., 15.5 mi.NW.of Supply; 4.3 mi.SE. of Buffalo, via OK.Hwy.#34; 1460.0 ft.N.of approx. $SW\frac{1}{4}$ sec.36,T27N,R23W; 3.0 ft.E.of W.R/W fence; 12.6 ft.N.of gas line riser pipe; 51.6 ft.W.of C/L

hwy. OSCC Marker. C/L NE.cor.of W.chimney on 4 room farmhouse about 1 mi.in azimuth 339°39'59".

X-1,522,718.67 Y-649,442.33 El. 1970.803 ft.

10-F-17 TT 1936; Harper Co., 16.5 mi.NW.of Supply; 3.2 mi.SE. of Buffalo, via OK.Hwy.#34; 2068.0 ft.S.& 58.0 ft.E.of approx.W $\frac{1}{2}$ cor.sec. 25,T27N,R23W; on top of prominent "red bed" ridge; 58.7 ft.E.of C/L of hwy. OSCC Marker. C/L Buffalo W.T.in azimuth 176°29'02".

X-1,523,056.97 Y-654,991.70 El. 1956.779 ft.

10-F-18 TT 1936; Harper Co., 17.3 mi.NW.of Supply; 2.4 mi. SE. of Buffalo; via OK.Hwy.#34; in approx.SW $\frac{1}{4}$ sec.25,T27N,R23W; on red clay bank; 200.0 ft.N.of circular 24 in.diam.conc.culvert under hwy., 49.6 ft.E.of C/L of hwy. OSCC Marker. C/L Buffalo W.T.in azimuth 174°10'36".

X-1,523,374.62 Y-659,070.58 El. 1912.202 ft.

10-F-19 TT 1936; Harper Co., 18.3 mi.NW.of Supply; 1.5 mi.S.of Buffalo, via OK.Hwy.#34; 53.3 ft.W.& 29.7 ft.N.of approx.W $\frac{1}{2}$ cor.sec.13, T27N,R23W. OSCC Marker. C/L Buffalo W.T.in azimuth 174°23'28".

X-1,522,852.98 Y-663,846.83 El. 1855.153 ft.

11-C-30 TT 1936; Junction Station. See Traverse 11-C.

Traverse 10-H; Dewey & Ellis Co.

N-33 1934 to Santa Tri. Sta.

North Projection

N-33 TT 1934; Junction Station. See Traverse 9-D.

10-H-1 TT 1936; Dewey Co., 0.5 mi.W.of Vici; 2.7 ft.S.& 36.0 ft.E. of approx.W $\frac{1}{2}$ cor.sec.2,T19N,R20W; 7.5 ft.E.of E.fence. OSCC Marker. C/L knob on Vici W.T.in azimuth 286°41'31".

X-1,613,129.19 Y-421,915.23 El. 2267.224 ft.

10-H-2 TT 1936; Dewey Co., 0.5 mi.S.& 0.5 mi.W.of Vici; 30.0 ft.N. & 23.2 ft.E.of approx.SW.cor.sec.2,T19N,R20W; 137.0 ft.S.of C/L US.Hwy. #60; 3.4 ft.N.of N-S fence; 3.0 ft.E.of E.fence. OSCC Marker. C/L knob on Vici W.T.in azimuth 249°12'32"; C/L NW.cor.chimney on Vici school in azimuth 259°17'32".

X-1,613,098.82 Y-419,307.51 El. 2266.401 ft.

10-H-3 TT 1936; Dewey Co., 2.0 mi.W.of Vici; 48.0 ft.S.& 1.0 ft.E. of approx.N $\frac{1}{2}$ cor.sec.9,T19N,R20W; 48.0 ft.S.of C/L US.Hwy.#60. OSCC Marker. C/L E.wing on 1 $\frac{1}{2}$ story frame house about 0.37 mi.in azimuth 94°53'09".

X-1,605,092.73 Y-419,331.67 El. 2267.523 ft.

10-H-4 TT 1936; Dewey Co., 3.0 mi.W.of Vici; in approx.SW.cor. SE. sec.5,T19N,R20W; 48.0 ft.N.of C/L US.Hwy.#60; at E.edge of tree lot on farm of Ed Weeden. OSCC Marker. C/L knob on Vici W.T.about 3 mi.in azimuth 265°50'10".

X-1,599,826.26 Y-419,523.09 El. 2316.297 ft.

10-H-5 TT 1936; Ellis Co., 5.3 mi.W.of Vici; in approx.NE.cor.NW $\frac{1}{4}$ sec.12,T19N,R21W; 56.0 ft.S.of C/L US.Hwy.#60; top of sand-clay ridge. OSCC Marker. C/L Vici W.T.in azimuth 267°35'22".

X-1,588,082.41 Y-419,550.18 El. 2385.788 ft.

10-H-6 TT 1936; Ellis Co., 7.5 mi.W.of Vici; 40.0 ft.E.& 57.0 ft. N.of approx.SW.cor.sec.3,T19N,R21W. OSCC Marker.

X-1,576,292.42 Y-419,807.63 El. 2334.883 ft.

10-H-7 TT 1936; Ellis Co., 9.35 mi.W.of Vici; 535.0 ft.E.& 53.0 ft. S.of approx.NW.cor.sec.8,T19N,R21W; 53.0 ft.S.of C/L US.Hwy.#60. OSCC Marker. C/L comb on 2 story frame house about 2 mi.in azimuth 91°32'04".

X-1,566,358.93 Y-419,846.99 El. 2388.877 ft.

10-H-8 TT 1936; Ellis Co., 11.5 mi.W.of Vici; 80.0 ft.E.& 49.0 ft. N.of approx.SW $\frac{1}{4}$ cor.sec.1,T19N,R22W. OSCC Marker.

X-1,555,365.88 Y-420,198.57 El. 2372.869 ft.

10-H-9 TT 1936; Ellis Co., 13.65 mi.W.of Vici; in approx.NW.cor.NE. NE.sec.9,T19N,R22W; 60.0 ft.S.of C/L US.Hwy.#60. OSCC Marker. C/L E.comb

of 2 story house of R.R.Richards in azimuth $93^{\circ}52'28''$; C/L Vici W.T.in azimuth $269^{\circ}34'43''$; C/L steeple on Parkman schoolhouse about 1.5 mi.in azimuth $294^{\circ}32'53''$.

- X-1,543,784.47 Y-420,230.08 El. 2471.261 ft.
 10-H-10 TT 1936; Ellis Co., 14.4 mi.W.of Vici; at E.limits of Harmon; in approx.SW $\frac{1}{4}$ sec.4,T19N,R22W; 48.0 ft.N.of C/L US.Hwy.#60; 2.5 ft. E.of lot fence cor.OSCC Marker. C/L NW.cor.N.chimney on 3 room frame farmhouse about 1 mi.in azimuth $06^{\circ}34'49''$.
- X-1,539,843.87 Y-420,393.00 El. 2499.393 ft.
 10-H-11 TT 1936; Ellis Co., 1.35 mi.W.of Harmon; in approx.NE.cor. NW.sec.7,T19N,R22W; 46.0 ft.S.of C/L US.Hwy.#60; in range of W. row of cedar trees at Ed Weeden farmhome. OSCC Marker. C/L E.side upper comb on Kennabeck School about 1.7 mi.in azimuth $75^{\circ}55'46''$; C/L W.comb on 2 story house in Harmon in azimuth $269^{\circ}03'56''$.
- X-1,530,236.91 Y-420,465.17 El. 2515.169 ft.
 10-H-12 TT 1936; Ellis Co., 3.44 mi.W.& 0.5 mi.S.of Harmon; 7.06 mi.E.of Arnett; 960.0 ft.E.& 53.0 ft.N.of approx.center sec.11,T19N,R23W; 53.0 ft.N.of C/L US.Hwy.#60. OSCC Marker. C/L Arnett W.T.in azimuth $89^{\circ}40'26''$.
- X-1,521,334.92 Y-417,974.88 El. 2513.293 ft.
 10-H-13 TT 1936; Ellis Co., 5.7 mi.W.& 0.5 mi.S.of Harmon; 5.8 mi. E.of Arnett; in approx.SW $\frac{1}{4}$ sec.9,T19N,R23W; 52.5 ft.S.of C/L US.Hwy.#60. OSCC Marker. C/L Arnett W.T.in azimuth $89^{\circ}17'37''$.
- X-1,509,099.48 Y-418,113.75 El. 2482.863 ft.
 10-H-14 TT 1936; Ellis Co., 3.8 mi.E.of Arnett; 7.7 mi.W.& 0.5 mi. S.of Harmon; 480.0 ft.W.& 52.0 ft.N.of center sec.7,T19N,R23W; 52.0 ft. N.of C/L US.Hwy.#60. OSCC Marker. C/L Arnett W.T.in azimuth $88^{\circ}20'43''$.
- X-1,499,106.49 Y-418,343.73 El. 2480.012 ft.
 10-H-15 TT 1936; Ellis Co., 1.9 mi.E.of Arnett; in approx.NE.cor. NW.NE.SW.sec.11,T19N,R24W; 60.0 ft.S.of C/L US.Hwy.#60. OSCC Marker. C/L Arnett W.T.in azimuth $85^{\circ}58'46''$.
- X-1,488,711.71 Y-418,495.18 El. 2460.556 ft.
 10-H-16 TT 1936; Ellis Co., 0.6 mi.W.of Arnett; 51.0 ft.W.& 51.0 ft.N.of approx.center sec.10,T19N,R24W; 51.0 ft.N.of C/L US.Hwy.#60. OSCC Marker. C/L Arnett W.T.in azimuth $80^{\circ}59'33''$.
- X-1,483,622.24 Y-418,651.33 El. 2455.616 ft.
 10-H-17 TT 1936; Ellis Co., in N.edge of Arnett; 3.0 ft.W.of W.line of alley & 6.0 ft.N.of N.property line fence of block; in approx.NE.cor. SW.sec.9,T19N,R24W. OSCC Marker.
- X-1,478,413.94 Y-418,610.40 El. 2468.011 ft.
 10-H-18 TT 1936; Ellis Co., in NW.cor.of Arnett; in approx.NW.cor. NE.SE.sec.8,T19N,R24W; 2.0 ft.S.of E-W cross fence; 2.0 ft.E.Of N-S cross fence. OSCC Marker. C/L knob on Arnett W.T.in azimuth $289^{\circ}37'28''$.
- X-1,474,932.00 Y-418,752.81 El. 2458.505 ft.
 10-H-19 TT 1936; Ellis Co., 2.0 mi.W.of Arnett; in approx.SW.cor. SE.sec.7,T19N,R24W; 52.0 ft.S.of C/L US.Hwy.#60. 2.0 ft.E.of N-S half mile fence. OSCC Marker. C/L SE.cor.chimney on 4 room farmhouse about 1.5 mi.in azimuth $57^{\circ}14'03''$; C/L knob on Arnett W.T.in azimuth $276^{\circ}05'18''$.
- X-1,468,159.07 Y-418,758.11 El. 2457.180 ft.
 10-H-20 TT 1936; Ellis Co., 4.4 mi.W.of Arnett; 380.0 ft.E.& 48.0 ft.N.of approx.W $\frac{1}{4}$ cor.sec.11,T19N,R25W; 48.0 ft.N.of C/L US.Hwy.#60. OSCC Marker. C/L Higgins Texas W.T.in azimuth $83^{\circ}20'10''$; C/L Arnett W.T. in azimuth $273^{\circ}15'20''$.
- X-1,455,457.64 Y-418,999.14 El. 2508.114 ft.
 10-H-21 TT 1936; Ellis Co., 5.75 mi.W.of Arnett; in approx.NW.cor. NE.SE.Sec.9,T19N,R25W; 47.0 ft.S.of C/L US.Hwy.#60. OSCC Marker. C/L Higgins, Texas W.T.in azimuth $82^{\circ}19'29''$; C/L Arnett W.T.in azimuth $272^{\circ}34'09''$.
- X-1,448,633.94 Y-419,038.91 El. 2508.041 ft.
 10-H-22 TT 1936; Ellis Co., 6.45 mi.W.of Arnett; in approx.SW.cor.

sec.9,T19N,R25W; 2.0 ft.N.of N.post of jet.sign board at E.branch of US Hwy.#283 at "Y" jet.with US.Hwy.#60; 36.0 ft.N.of C/L US.Hwy.#60; 37.0 ft.SW.of C/L US.Hwy.#283 "Y"; 144.0 ft.W.of Oklahoma Port of Entry # 40. OSCC Marker.

X-1,444,903.89 Y-419,432.21 El. 2452.563 ft.

10-H-23 TT 1936; Ellis Co., 7.8 mi.W.of Arnett; in approx.NW. cor. NE.SE.sec.7,T19N,R25W; 3.0 ft.N.of S.R/W fence US.Hwy.#60 at angle; 47.0 ft.S.of C/L US.Hwy.#60. OSCC Marker. C/L Higgins, Texas W.T.in azimuth $79^{\circ}44'46''$; C/L Shattuck W.T.in azimuth $189^{\circ}56'56''$; C/L Arnett W.T. in azimuth $272^{\circ}13'46''$.

X-1,438,080.47 Y-419,278.68 El. 2519.310 ft.

10-H-24 TT 1936; Ellis Co., 9.75 mi.W.of Arnett; in approx.SW.cor. SE.NE.sec.11,T19N,R26W; 48.0 ft.N.of C/L US.Hwy.#60; in range of N-S cross fence. OSCC Marker. C/L Higgins, Texas W.T.in azimuth $74^{\circ}52'39''$; C/L Shattuck W.T.in azimuth $202^{\circ}11'19''$; C/L Arnett W.T.in azimuth $272^{\circ}06'39''$.

X-1,427,312.25 Y-419,591.11 El. 2550.106 ft.

10-H-25 TT 1936; Ellis Co., 11.55 mi.W.of Arnett; in approx.NE.cor. SE $\frac{1}{4}$ sec.9,T19N,R26W; in N.edge of cemetery; 4.0 ft.W.of triangular conc. post. State Hwy. Marker. OSCC Marker. C/L Higgins, Texas W.T.in azimuth $66^{\circ}17'35''$; C/L Shattuck W.T.in azimuth $211^{\circ}45'55''$.

X-1,417,946.15 Y-419,748.64 El. 2555.983 ft.

Santa Tri.Sta., (Ellis Co., W.Mussetter, 1927) About 2.5 mi.E.& 0.75 mi.N.of Higgins, Texas; 1.3 mi.E.of Old State Line on AT&SF RR R/W, at S.side of tracks on highest point where dirt has been thrown back from cut, about 0.33 mi.N.of OK.Hwy.#13 & about 250.0 ft.W.of fence line. Station is reached from Higgins, Texas by Texas hwy.#33 to Old State Line, thence E.on OK.Hwy.#13 for 1.3 mi.to point opposite sta. Station & reference marks are std.disks in conc. Underground mark is 3.0 ft.below surface.

X-1,415,110.25 Y-418,370.70 El. 2580.435 ft.

R.M.#1 is 32.61 m.(107.0 ft.) from sta.in azimuth $240^{\circ}12'08''$.

R.M.#2 is 91.71 m.(300.9 ft.) in azimuth $44^{\circ}05'08''$.

Oklahoma & Texas State Line Marker in azimuth $79^{\circ}29'26''$.

Traverse 10-J; Dewey, Custer, Roger Mills, & Beckham Co's.

9-D-21 TT 1934 to 13-B-48 TT 1936

North Projection

9-D-21 TT 1934; Junction Station. See Traverse 9-D.

10-J-1 TT 1936; Dewey Co., 1.0 mi.SE.of Vici; via OK.Hwy.#34; in approx.NW.cor.NE.SE.sec.12,T19N,R20W; 64.0 ft.W.of C/L; 36.1 ft.E. of near rail MK&T RR in S.end of E.spill bank of cut at brow of arroyo; 5 poles N.of MP.#194. OSCC Marker.

X-1,622,651.85 Y-416,358.86 El. 2254.823 ft.

10-J-2 TT 1936; Dewey Co., 2.25 mi.SE.of Vici; via OK.Hwy.#34; in approx.SW.cor.NW.SW.sec.18,T19N,R19W; 63.5 ft.W.of C/L hwy., 55.8 ft.E. of near rail MK&T RR in E.spill bank; 3 poles S.of MP.#193. OSCC Marker. C/L Vici W.T.in azimuth $148^{\circ}03'08''$; C/L USC&GS BM 0-33 about 30.0 ft.W. of curve in OK.Hwy.#30 & 200.0 ft.N.of MP.#193 on MK&T RR in azimuth $167^{\circ}23'11''$.

X-1,623,567.79 Y-410,150.20 El. 2232.448 ft.

10-J-3 TT 1936; Dewey Co., 3.8 mi.SE.of Vici, via OK.Hwy.#34; 155.0 ft.N.of S.line in approx.SE.cor.NW.SW.sec.19,T19N,R19W; 46.6 ft.E.of C/L hwy., on top of sandy clay knoll. OSCC Marker. C/L Vici W.T.in azimuth $150^{\circ}57'49''$.

X-1,626,587.70 Y-403,402.08 El. 2219.582 ft.

10-J-4 TT 1936; Dewey Co., 5.7 mi.SE.of Vici, via OK.Hwy.#34; 17.0 ft.N.& 263.0 ft.W.of approx.center SE $\frac{1}{4}$ sec.31,T19N,R19W; 40.0 ft.E.of C/L hwy., on top of northern limit of surface barrow stripping; E. of

large trestle on MK&T RR. OSCC Marker. C/L Vici W.T. in azimuth $161^{\circ}59'43''$.

- X-1,625,628.20 Y-394,052.69 El. 2147.581 ft.
 10-J-5 TT 1936; Dewey Co., 7.1 mi. SE. of Vici, via OK.Hwy.#34; 10.0 ft. S. of approx. N. line in NE. NW. sec. 7, T18N, R19W; 50.0 ft. W. of C/L hwy., atop sandy clay ridge & about 20.0 ft. S. of S. gate post of farm drive; 200.0 ft. SW. of SW. cor. of old cemetery. OSCC Marker. C/L SE. cor. chimney on 4 room frame house in azimuth $191^{\circ}38'09''$.
- X-1,622,924.28 Y-387,466.49 El. 2068.597 ft.
 10-J-6 TT 1936; Dewey Co., 8.2 mi. S. of Vici, via OK.Hwy.#34; 31.2 ft. N. of approx. S. line in SW. SW. sec. 7, T18N, R19W; 55.0 ft. E. of C/L; 37.0 ft. E. of 18 in. circular culvert. OSCC Marker. C/L S. gable on 2 room frame house in azimuth $201^{\circ}58'02''$.
- X-1,621,807.58 Y-382,288.53 El. 2055.747 ft.
 10-J-7 TT 1936; Dewey Co., 9.3 mi. S. of Vici; 1.0 mi. N. & 0.5 mi. E. of Camargo, via OK.Hwy.#34; 65.0 ft. N. & 4.0 ft. E. of approx. $S\frac{1}{2}$ cor. sec. 13, T18N, R20W; 45.0 ft. E. of C/L hwy. OSCC Marker. C/L spire on Camargo Church in azimuth $12^{\circ}47'08''$; C/L smoke stack on Camargo cotton gin in azimuth $27^{\circ}52'38''$; C/L Vici W.T. in azimuth $175^{\circ}26'58''$.
- X-1,620,440.91 Y-376,928.88 El. 2022.402 ft.
 10-J-8 TT 1936; Dewey Co., 0.25 mi. E. of & 0.5 mi. N. of center of Camargo; 33.0 ft. E. & 1.5 ft. S. of approx. $E\frac{1}{2}$ cor. sec. 24, T18N, R20W. OSCC Marker. C/L gable on Camargo church in azimuth $18^{\circ}57'46''$; C/L Leedy W. T. in azimuth $19^{\circ}04'09''$; C/L Vici W.T. in azimuth $175^{\circ}34'29''$.
- X-1,620,433.91 Y-375,668.87 El. 2011.624 ft.
 10-J-9 TT 1934; Dewey Co., In SE. cor. of Camargo; 32.0 ft. S. & 1.0 ft. W. of approx. $E\frac{1}{2}$ cor. sec. 25, T18N, R20W; 2.5 ft. W. of W. gate post to farm drive. OSCC Marker. C/L NW. cor. W. chimney on Trail schoolhouse in azimuth $10^{\circ}40'06''$.
- X-1,620,359.50 Y-371,685.82 El. 1928.172 ft.
 10-J-10 TT 1936; Dewey Co., 1.0 mi. S. of Camargo; in approx. $SW\frac{1}{2}$ sec. 25, T18N, R20W; 100.0 ft. S. of E. edge of lake; 75.0 ft. S. of waste bank of Fisher-Camargo Sand Co., 2.0 ft. W. of N-S fence; 60.0 ft. S. of fence intersection; 887.0 ft. N. of jetty on N. bank of S. Canadian River. OSCC Marker. C/L gable on Camargo Church in azimuth $185^{\circ}35'12''$.
- X-1,619,066.32 Y-367,699.69 El. 1836.260 ft.
 10-J-11 TT 1936; Dewey Co., 1.75 mi. S. of Camargo; 1.0 mi. N. of Trail; via OK.Hwy.#34; near center approx. NE. cor. NE. SW. sec. 35, T18N, R20W; about 58.7 ft. W. of C/L hwy., 75.0 ft. S. of first sandy clay knoll S. of S. Canadian River; 300.0 ft. N. of PC of curve. OSCC Marker. C/L E. apex on farm house about 0.5 mi. in azimuth $37^{\circ}54'58''$; C/L S. apex on MK&T RR depot in Camargo about 2 mi. in azimuth $203^{\circ}57'43''$; C/L N. apex on farmhouse about 0.5 mi. in azimuth $336^{\circ}15'48''$.
- X-1,613,872.78 Y-363,601.16 El. 1894.704 ft.
 10-J-12 TT 1936; Dewey Co., 10.0 mi. NE. of Leedey; 0.5 mi. N. & 0.5 mi. W. of Trail, via OK.Hwy.#34; near approx. SW. cor. SE. SE. sec. 2, T17N, R20W; 666.0 ft. W. of C/L hwy., 27.0 ft. N. of C/L E-W sec. line trail; 2.5 ft. W. of cross fence. OSCC Marker. C/L N. apex on farmhouse about 0.75 mi. in azimuth $44^{\circ}15'17''$; C/L S. apex on farmhouse about 1 mi. in azimuth $229^{\circ}31'12''$; C/L NW. cor. brick schoolhouse about 1 mi. in azimuth $318^{\circ}56'12''$.
- X-1,614,566.20 Y-356,241.07 El. 2014.126 ft.
 10-J-13 TT 1936; Dewey Co., 7.3 mi. NE. of Leedey, via OK.Hwy.#34; near approx. center SE. NW. sec. 11, T17N, R20W; 47.5 ft. W. of C/L hwy., on top of 6 ft. cut bank; 2.5 ft. E. of R/W fence. OSCC Marker. C/L N. apex on farm house about 2 mi. in azimuth $01^{\circ}23'40''$; C/L E. apex on farmhouse about 0.5 mi. in azimuth $91^{\circ}05'40''$; C/L S. apex on small farmhouse about 1 mi. in azimuth $210^{\circ}49'05''$.
- X-1,614,530.51 Y-353,951.20 El. 2024.722 ft.
 10-J-14 TT 1936; Dewey Co., 6.5 mi. NE. of Leedey, via OK.Hwy.#34; 0.25 mi. N. of hwy. overpass over MK&T RR; near center NW. SW. sec. 14, T17N, R20W; 46.0 ft. W. of C/L sand road & 3.0 ft. S. & 2.0 ft. W. of fence. OSCC

- Marker. C/L E.apex on farmhouse about 0.5 mi.in azimuth $28^{\circ}43'18''$; C/L W.apex on farmhouse about 1 mi.in azimuth $239^{\circ}08'38''$; C/L N.apex on a farmhouse about 2 mi.in azimuth $332^{\circ}28'58''$.
- X-1,612,886.83 Y-346,977.41 El. 2008.272 ft.
 10-J-15 TT 1936; Dewey Co., 5.5 mi.NE.of Leedey, via OK.Hwy.# 34; near approx.SW.cor.NW.sec.23,T17N,R20W; 50.0 ft.E.of C/L hwy on top of 10 ft.red clay cut bank; 2.5 ft.S.& 2.5 ft.E.of fence cor. OSCC Marker. C/L N.apex on farmhouse about 0.5 mi.in azimuth $09^{\circ}38'29''$; C/L E.apex on 2 story farmhouse about 1.5 mi.in azimuth $49^{\circ}59'49''$; C/L S.apex on farmhouse about 0.5 mi.in azimuth $161^{\circ}22'09''$.
- X-1,612,928.11 Y-343,014.15 El. 1985.150 ft.
 10-J-16 TT 1936; Dewey Co., 4.75 mi.NE.of Leedey, via OK.Hwy.#34; 2.0 ft.S.of N.line, near center NW.NE.NE.sec.27,T17N,R20W; 55.0 ft.W.of C/L hwy., 2.0 ft.W.of cedar cor.fence post & in range of fence E., in road ditch E.of road. OSCC Marker. C/L SW.cor.of J.A.Boatman store bldg. about 0.17 mi.in azimuth $215^{\circ}00'13''$; C/L N.edge of limestone cap on red clay bluff about 0.25 mi.in azimuth $261^{\circ}18'28''$.
- X-1,611,357.17 Y-339,704.36 El. 1902.043 ft.
 10-J-17 TT 1936; Dewey Co., 3.7 mi.NE.of Leedey, via OK.Hwy.#34; 48.0 ft.E.& 2.0 ft.N.of approx.SW.cor.sec.27,T17N,R20W; 49.0 ft.W.of C/L hwy., near S.end of clay cut bank. OSCC Marker. C/L N.apex on farmhouse about 0.75 mi.in azimuth $15^{\circ}14'16''$; C/L E.apex large farmhouse about 1 mi.in azimuth $77^{\circ}44'10''$; C/L E.apex farmhouse about 0.5 mi.in azimuth $120^{\circ}51'56''$.
- X-1,607,964.90 Y-336,697.52 El. 2026.243 ft.
 10-J-18 TT 1936; Dewey Co., 2.75 mi.NE.of Leedey, via OK.Hwy.#34; 266.0 ft.S.& 471.5 ft.W.of approx.NE.cor.sec.33,T17N,R20W; 60.0 ft.E.of C/L hwy. OSCC Marker. C/L N.apex farmhouse about 1 mi.in azimuth $48^{\circ}01'49''$; C/L E.gable on farmhouse about 0.75 mi.in azimuth $96^{\circ}31'04''$; C/L W.apex on farmhouse about 2 mi.in azimuth $334^{\circ}35'04''$.
- X-1,606,544.92 Y-334,924.20 El. 2054.380 ft.
 10-J-19 TT 1936; Dewey Co., 1.75 mi.NE.of Leedey, via OK.Hwy.#34; 708.0 ft.S.& 242.0 ft.E.of approx.N $\frac{1}{2}$ cor.sec.4,T16N,R20W; 46.5 ft.W.of C/L hwy. OSCC Marker. C/L top Leedey W.T.about 3 mi.in azimuth $17^{\circ}54'55''$; C/L S.gable on large farmhouse about 0.75 mi.in azimuth $226^{\circ}58'05''$; C/L W.gable on farmhouse about 1.5 mi.in azimuth $301^{\circ}20'50''$.
- X-1,604,104.82 Y-329,231.52 El. 2123.085 ft.
 10-J-20 TT 1936; Dewey Co., 0.55 mi.NE.of Leedey, via OK.Hwy.#34; in approx.SW.NE.sec.8,T16N,R20W; 52.0 ft.E.of C/L hwy., 225.5 ft.N. of range of E-W $\frac{1}{2}$ sec.fence to E., 2.0 ft.E.of E.R/W fence line. OSCC Marker. C/L top of Leedey W.T.about 0.5 mi.in azimuth $06^{\circ}24'53''$; C/L S.gable on large farmhouse about 2 mi.in azimuth $151^{\circ}59'56''$; C/L W.apex on farmhouse about 0.75 mi.in azimuth $235^{\circ}09'51''$.
- X-1,601,385.06 Y-322,313.50 El. 2106.103 ft.
 OCC Leedey, Chisholm Trail Marker. El. 2061.080 ft.
 10-J-21 TT 1936; Dewey Co., at NE.cor.of Leedey; 530.0 ft.S.& 29.0 ft.W.of approx.E $\frac{1}{2}$ cor.sec.8,T16N,R20W; 2.0 ft.W.of W.R/W fence in field. OSCC Marker. C/L top Leedey W.T.about 0.75 mi.in azimuth $43^{\circ}59'02''$; C/L W.apex on farmhouse about 0.5 mi.in azimuth $213^{\circ}07'52''$; C/L N.apex on large farmhouse about 1 mi.in azimuth $350^{\circ}02'22''$.
- X-1,602,845.43 Y-321,546.23 El. 2132.143 ft.
 10-J-22 TT 1936; Dewey Co., on E.boundary of Leedey; 0.15 mi.S.of approx.NW.cor.sec.16,T16N,R20W; in range of S.side of Leedey Grammar School; 30.0 ft.E.of C/L N-S Co.& sec.line road; 168.0 ft.N.of S.property line of 6th St. OSCC Marker. C/L W.apex on large house about 0.28 mi.in azimuth $87^{\circ}18'35''$; C/L S.gable on house about 1 mi.in azimuth $222^{\circ}48'55''$; C/L N.gable on farmhouse about 0.5 mi.in azimuth $344^{\circ}19'25''$.
- X-1,602,867.84 Y-318,795.22 El. 2078.986 ft.
 9-E-15 & 9-E-16 TT 1934; Junction Stations. See Traverse 9-D.
 10-J-23 TT 1936; Dewey Co., 2.6 mi.SW.of Leedey, via OK.Hwy.#34; 177.0 ft.N.& 48.0 ft.W.of approx.E $\frac{1}{2}$ cor.sec.30,T16N,R20W; 2.5 ft.E.of W.

- R/W fence line. OSCC Marker. C/L E.apex on 2 story house about 0.75 mi. in azimuth $65^{\circ}35'07''$; C/L ball on top Leedey W.T.about 2 mi.in azimuth $195^{\circ}48'32''$; C/L W.apex on 2 story house about 1 mi.in azimuth $300^{\circ}03'15''$.
 X-1,597,347.94 Y-306,501.76 El. 2019.603 ft.
- 10-J-24 TT 1936; Custer Co., 4.9 mi.SW.of Leedey, via OK.Hwy.#34; 1317.2 ft.N.& 50.0 ft.E.of approx.SW.cor.sec.5,T15N,R20W; 50.0 ft.E.of C/L hwy. on top of 8 ft.cut bank; 2.5 ft.W.of E.R/W fence line. OSCC Marker. C/L E.apex on farmhouse about 0.5 mi.in azimuth $34^{\circ}16'13''$; C/L ball on Leedey W.T.about 3.5 mi.in azimuth $188^{\circ}37'51''$; C/L W.apex on farmhouse about 0.75 mi.in azimuth $288^{\circ}42'38''$.
 X-1,597,263.05 Y-294,505.38 El. 1956.249 ft.
- 10-J-25 TT 1936; Custer Co., 6.25 mi.SW.of Leedey, via OK.Hwy.#34; 184.0 ft.S.& 46.0 ft.W.of approx.NE.cor.sec.18,T15N,R20W. OSCC Marker. C/L E.apex on farmhouse about 1 mi.in azimuth $86^{\circ}34'52''$; C/L Leedey W. T.in azimuth $187^{\circ}13'22''$; C/L NW.cor.Moorewood schoolhouse about 3.5 mi. in azimuth $351^{\circ}49'07''$.
 X-1,597,038.64 Y-287,749.38 El. 1923.746 ft.
- 10-J-26 TT 1936; Custer Co., 7.72 mi.SW.of Leedey, via OK.Hwy.#34; 160.2 ft.S.& 48.5 ft.E.of approx.W $\frac{1}{2}$ cor.sec.20,T15N,R20W; 48.5 ft.E.of C/L hwy.on top of 5 ft.cut bank; 195.0 ft.S. of C/L private driveway to farmhouse on E.side of road. OSCC Marker. C/L chimney on house about 3.5 mi.in azimuth $00^{\circ}39'27''$; C/L E.end of roof on house across road in azimuth $150^{\circ}47'05''$; C/L N.end of roof on house in azimuth $303^{\circ}44'00''$.
 X-1,596,998.79 Y-279,909.63 El. 1821.420 ft.
- 10-J-27 TT 1936; Custer Co., 8.55 mi.SW.of Leedey; 0.75 mi.N.& 0.4 mi.W.of Moorewood, via OK.Hwy.#34; 385.0 ft.E.& 1165.7 ft.N.of approx. W $\frac{1}{2}$ cor.sec.29,T15N,R20W; on top of prominent red rock & gyp knoll E.of N-S sec.line. OSCC Marker. C/L Hammon W.T.in azimuth $09^{\circ}12'44''$; C/L Leedey W.T.in azimuth $184^{\circ}59'29''$; C/L W.gable on frame house about 2 mi. in azimuth $299^{\circ}28'42''$.
 X-1,597,269.83 Y-275,985.95 El. 1856.704 ft.
- 10-J-28 TT 1936; Custer Co., 0.6 mi.S.& 0.5 mi.W.of Moorewood; 8.75 mi.NE.of Hammon, via OK.Hwy.#34; 363.0 ft.N.& 48.0 ft.E.of approx.SW.cor. sec.32,T15N,R20W; 2.5 ft.W.of E.R/W fence. OSCC Marker. C/L E.end of roof on house about 0.5 mi.in azimuth $88^{\circ}37'50''$; C/L apex belfry on Moorewood Church in azimuth $197^{\circ}37'07''$; C/L W.end roof on house about 1 mi.in azimuth $273^{\circ}05'07''$.
 X-1,596,787.33 Y-267,321.08 El. 1795.871 ft.
- 10-J-29 TT 1936; Custer Co., 1.89 mi.S.& 0.5 mi.W.of Moorewood; 5.93 mi.NE.of Hammon, via OK.Hwy.#34; near approx.SE.cor.NE.NE.sec.7, T14N,R20W; 185.0 ft.W.of C/L hwy., 453.0 ft.N.of E-W 40 acre fence. OSCC Marker. C/L apex ventilator on large barn on hill about 1 mi.in azimuth $11^{\circ}51'03''$. C/L Leedey W.T.in azimuth $184^{\circ}19'38''$; C/L N.end roof on a house about 1.5 mi.in azimuth $286^{\circ}27'48''$.
 X-1,596,614.32 Y-260,533.81 El. 1770.126 ft.
- 10-J-30 TT 1936; Custer Co., 4.1 mi.NE.of Hammon, via OK.Hwy.#34; near approx.NE.cor.NW.SW.sec.18,T14N,R20W; 784.0 ft.W.of N-S $\frac{1}{2}$ sec.fence on prominent clay shale knoll; 219.0 ft.NE.of 24 in.conc.pipe culvert hdw.under hwy., 100.0 ft.NE.of old abandoned farmhouse. OSCC Marker. C/L Hammon W.T.about 3 mi.in azimuth $08^{\circ}03'39''$; C/L Leedey W.T.about 14 mi.in azimuth $186^{\circ}49'19''$; C/L roof on farmhouse about 1 mi.in azimuth $283^{\circ}11'29''$.
 X-1,593,096.20 Y-252,852.39 El. 1849.474 ft.
- 10-J-31 TT 1936; Custer Co., 3.8 mi.NE.of Hammon, via OK.Hwy.#34; 984.0 ft.E.& 28.0 ft.S.of approx.NW.cor.sec.19,T14N,R20W; 362.0 ft.E.of C/L hwy. & 28.0 ft.S.of C/L E-W sec.line road. OSCC Marker. C/L Hammon W.T.about 3 mi.in azimuth $06^{\circ}02'06''$; C/L E.apex farmhouse about 0.75 mi. in azimuth $72^{\circ}37'26''$; C/L N.apex farmhouse about 0.5 mi.in azimuth $321^{\circ}19'16''$.
 X-1,592,198.28 Y-251,191.92 El. 1838.194 ft.
- 10-J-32 TT 1936; Custer Co., 1.45 mi.NE.of Hammon, via OK.Hwy.#34;

- near center of S. line NW. NW. sec. 30, T14N, R20W; 456.0 ft. E. of C/L hwy., near N. end of prominent gravel knoll; 163.0 ft. E. & 123.5 ft. S. of pasture fence. OSCC Marker. C/L top Hammon W.T. about 1.75 mi. in azimuth $10^{\circ}35'53''$; C/L S. apex on 2 story farmhouse about 0.25 mi. in azimuth $146^{\circ}03'55''$; C/L S. gable on large bldg. about 1 mi. in azimuth $232^{\circ}45'53''$.
- X-1,591,473.92 Y-239,296.25 El. 1788.256 ft.
- 10-J-33 TT 1936; Roger Mills Co., 0.75 mi. NE. of Hammon, via OK. Hwy. #34; near approx. NE. cor. sec. 1, T13N, R21W; at W. side N-S sec. line road just S. of jct. of OK. Hwy's. #33 & #34. OSCC Marker set in E. end of S. conc. hdw. of 18 in. diam. conc. culvert under OK. Hwy. #33. C/L top Hammon W.T. in azimuth $14^{\circ}15'15''$; C/L E. apex on large farmhouse about 1 mi. in azimuth $95^{\circ}11'20''$; C/L S. apex on 1 story farmhouse about 0.25 mi. in azimuth $198^{\circ}20'35''$.
- X-1,590,932.56 Y-235,430.33 El. 1777.508 ft.
- 10-J-34 TT 1936; Roger Mills Co., 1.3 mi. SE. of Hammon, via OK. Hwy. #34; 256.0 ft. S. & 48.0 ft. E. of approx. $W\frac{1}{4}$ cor. sec. 7, T13N, R20W; on top of red shale clay cut bank E. of hwy. OSCC Marker. C/L N. gable on farmhouse about 0.25 mi. in azimuth $25^{\circ}21'36''$; C/L top Hammon W.T. about 1.5 mi. in azimuth $173^{\circ}15'48''$; C/L W. apex on large farmhouse about 0.5 mi. in azimuth $228^{\circ}03'24''$.
- X-1,590,888.62 Y-227,233.19 El. 1874.014 ft.
- 10-J-35 TT 1936; Roger Mills Co., 2.87 mi. SE. of Hammon, via OK. Hwy. #34; 629.7 ft. S. & 45.0 ft. W. of approx. NE. cor. sec. 24, T13N, R20W. OSCC Marker. C/L top Hammon W.T. about 3 mi. in azimuth $178^{\circ}12'38''$; C/L W. apex on farmhouse about 0.75 mi. in azimuth $250^{\circ}35'08''$; C/L N. apex on 2 room farmhouse about 0.25 mi. in azimuth $302^{\circ}49'28''$.
- X-1,590,672.27 Y-218,917.08 El. 1914.731 ft.
- 10-J-36 TT 1936; Custer Co., 4.45 mi. SE. of Hammon, via OK. Hwy. #34; near center of W. line SW. SW. sec. 30, T13N, R20W; 48.0 ft. E. of C/L hwy., 283.0 ft. N. of field fence cor. on E. side of hwy., 1034.0 ft. S. of 3 x 2 x 40 ft. conc. culvert. OSCC Marker. C/L N. apex on farmhouse about 2 mi. in azimuth $52^{\circ}25'54''$; C/L W. apex on farmhouse about 1 mi. in azimuth $207^{\circ}13'06''$; C/L top Carpenter W.T. about 2 mi. in azimuth $356^{\circ}16'41''$.
- X-1,590,636.34 Y-210,619.44 El. 1926.375 ft.
- 10-J-37 TT 1936; Roger Mills Co., 5.88 mi. SE. of Hammon; 1.25 mi. NW. of Carpenter, via OK. Hwy. #34; 726.6 ft. S. & 10.0 ft. W. of approx. NE. cor. sec. 1, T12N, R21W; 50.0 ft. W. of C/L hwy., 3.0 ft. W. of W.R/W fence. OSCC Marker. C/L N. apex farmhouse about 1 mi. in azimuth $19^{\circ}02'04''$; C/L NE. gable on a large $1\frac{1}{2}$ story farmhouse about 0.75 mi. in azimuth $86^{\circ}01'44''$; C/L top of Carpenter W.T. in azimuth $350^{\circ}12'22''$.
- X-1,590,457.09 Y-203,003.51 El. 1923.369 ft.
- 10-J-38 TT 1936; Roger Mills Co., 7.05 mi. SE. of Hammon; 0.1 mi. N. of NE. cor. of Carpenter; near approx. SW. cor. $N\frac{1}{2}$ NE $\frac{1}{4}$ sec. 12, T12N, R21W; 52.0 ft. E. of C/L OK. Hwy. #34; 318.0 ft. N. & 166.0 ft. W. of Carpenter School; 2.0 ft. W. of NW. fence cor. of school lot. OSCC Marker. C/L top Carpenter W.T. about 0.25 mi. in azimuth $22^{\circ}31'15''$; C/L E. apex farmhouse about 0.5 mi. in azimuth $119^{\circ}35'40''$; C/L W. apex on farmhouse about 0.5 mi. in azimuth $243^{\circ}19'18''$.
- X-1,591,791.27 Y-197,337.48 El. 1972.640 ft.
- 10-J-39 TT 1936; Destroyed.
- 10-J-40 TT 1936; Beckham Co., 0.8 mi. S. of Roger Mills-Beckham Co. line; 1.8 mi. S. of Carpenter; 6.9 mi. NE. of Elk City, via OK. Hwy. #34; 964.0 ft. S. & 48.0 ft. W. of approx. $N\frac{1}{4}$ cor. sec. 24, T12N, R21W; 48.0 ft. W. of C/L of hwy. on top of 5 ft. cut bank. OSCC Marker. C/L E. gable on 2 story farmhouse about 1 mi. in azimuth $96^{\circ}02'18''$; C/L S. apex MK&T RR Depot in Carpenter about 1.5 mi. in azimuth $175^{\circ}03'48''$; C/L S. gable on large farmhouse about 1 mi. in azimuth $210^{\circ}48'54''$.
- X-1,591,372.68 Y-187,131.71 El. 2028.490 ft.
- 10-J-41 TT 1936; Beckham Co., 2.55 mi. S. of Carpenter; 6.1 mi. N. & 2.0 mi. E. of Elk City, via OK. Hwy. #34; 327.0 ft. N. & 555.0 ft. E. of approx. $S\frac{1}{4}$ cor. sec. 24, T12N, R21W; 327.0 ft. E. of C/L hwy. on top of prominent knoll

- in pasture. OSCC Marker. C/L roof on farmhouse about 0.25 mi. in azimuth $82^{\circ}41'21''$; C/L S.gable on large farmhouse about 1.5 mi. in azimuth $193^{\circ}24'44''$; C/L W.apex on farmhouse about 0.11 mi. in azimuth $290^{\circ}21'41''$.
 X-1,591,910.29 Y-183,109.93 El. 2084.863 ft.
- 10-J-42 TT 1936; Beckham Co., 5.3 mi.N. & 2.0 mi.E. of Elk City, via OK.Hwy.#34; 382.0 ft.N. & 47.0 ft.W. of approx. $S\frac{1}{4}$ cor. sec. 25, T12N, R21W; 47.0 ft.W. of C/L hwy. on top 7 ft. rocky cut bank. OSCC Marker. C/L Elk City W.T. about 5 mi. in azimuth $16^{\circ}27'28''$; C/L Carpenter W.T. in azimuth $180^{\circ}55'56''$; C/L W.apex N.gable on 2 story house about 0.75 mi. in azimuth $287^{\circ}02'13''$.
 X-1,591,254.21 Y-179,090.35 El. 2098.415 ft.
- 10-J-43 TT 1936; Beckham Co., 4.0 mi.N. & 2.0 mi.E. of Elk City, via OK.Hwy.#34; 22.0 ft.E. & 30.0 ft.N. of approx. $S\frac{1}{2}$ cor. sec. 36, T12N, R21W; on N. side of intersection of E-W road. OSCC Marker set in S. end of E. conc. hdw. of 24 in. conc. pipe culvert under OK.Hwy.#34. C/L top Elk City's largest silver W.T. in azimuth $19^{\circ}48'32''$; C/L roof on house about 0.75 mi. in azimuth $142^{\circ}50'52''$; C/L W.apex farmhouse about 1 mi. in azimuth $271^{\circ}09'26''$.
 X-1,591,251.61 Y-172,292.49 El. 2040.638 ft.
- 10-J-44 TT 1936; Beckham Co., 3.0 mi.N. & 2.0 mi.E. of Elk City, via OK.Hwy.#34; 31.0 ft.N. & 22.0 ft.W. of approx. $S\frac{1}{4}$ cor. sec. 1, T11N, R21W; on N. side of intersecting E-W road. OSCC Marker set in S. end of W. conc. hdw. of 18 in. conc. pipe culvert under OK.Hwy.#34. C/L top Elk City's largest W.T. about 4.5 mi. in azimuth $23^{\circ}19'53''$; C/L S. comb roof on farmhouse about 0.5 mi. in azimuth $269^{\circ}30'43''$; C/L N.apex farmhouse about 0.75 mi. in azimuth $329^{\circ}24'18''$.
 X-1,591,150.11 Y-166,972.55 El. 2032.553 ft.
- 10-J-45 TT 1936; Beckham Co., 1.0 mi.N. & 2.0 mi.E. of Elk City, via US.Hwy.#66 at its jct. with OK.Hwy.#34 in the "Y"; near approx. SW.cor.NE. SW. sec. 24, T11N, R21W; 13.0 ft.S. & 12.0 ft.W. of Chisholm Trail Monument; 136.5 ft.N. & 35.0 ft.E. of range of N-S $\frac{1}{2}$ sec. fence extending S. from the road. OSCC Marker. C/L top Elk City's W.T. about 2 mi. in azimuth $35^{\circ}51'20''$; C/L E.apex farmhouse about 0.25 mi. in azimuth $83^{\circ}55'25''$; C/L S.apex on 2 story farmhouse about 1 mi. in azimuth $202^{\circ}02'00''$.
 X-1,591,043.46 Y-156,522.58 El. 1998.860 ft.
- 10-J-46 TT 1936; Beckham Co., 1.3 mi.E. & 0.25 mi.N. of down town Elk City; 0.75 mi.S. of US.Hwy.#66 on sec. line just E. of MK&T RR underpass; near approx. SW.cor.NW. SW. sec. 24, T11N, R21W; 35.0 ft.E. of C/L of N-S Co. road; 2.5 ft.W. of & in range with fence line E. OSCC Marker. C/L top Elk City's largest W.T. about 2 mi. in azimuth $36^{\circ}58'51''$; C/L Elk City's smallest W.T. (owned by Elk City Cotton Oil Co.) about 1 mi. in azimuth $84^{\circ}18'16''$; C/L W.apex farmhouse about 1 mi. in azimuth $271^{\circ}18'19''$.
 X-1,588,349.84 Y-152,337.09 El. 1974.265 ft.
- 10-J-47 TT 1936; Beckham Co., 1.3 mi.E. & 1.0 mi.S. of down town Elk City; 38.0 ft.N. & 29.0 ft.W. of approx. SE.cor. sec. 26, T11N, R21W; in cor. of field. OSCC Marker. C/L top Elk City's largest W.T. in azimuth $60^{\circ}30'35''$; C/L top Elk City's smallest W.T. in azimuth $135^{\circ}22'45''$; C/L W.apex large farmhouse about 0.5 mi. in azimuth $275^{\circ}47'50''$.
 X-1,588,198.06 Y-145,973.99 El. 1933.511 ft.
- 10-J-48 TT 1936 (Reset) Beckham Co., 1.9 mi.SE. of down town Elk City, via old OK.Hwy.#34; 488.0 ft.N. & 40.0 ft.E. of approx. $W\frac{1}{4}$ cor. sec. 35, T11N, R21W; 35.0 ft.E. of C/L & in range of N.farm lot fence at farmhouse on W. side of road. OSCC Marker.
 X-1,582,900.20 Y-143,880.56
- 10-J-49 TT 1936; Beckham Co., 2.5 mi.SE. of down town Elk City, via old OK.Hwy.#34; 55.0 ft.W. & 2.0 ft.S. of approx. NE.cor. sec. 34, T11N, R21W; OSCC Marker. C/L E.apex farmhouse about 0.12 mi. in azimuth $66^{\circ}56'50''$; C/L top Elk City's largest W.T. in azimuth $105^{\circ}11'45''$; C/L S.apex farmhouse about 0.5 mi. in azimuth $255^{\circ}01'10''$.
 X-1,582,763.47 Y-140,687.76 El. 1945.909 ft.
- 10-J-50 TT 1936; Beckham Co., 4.1 mi.SE. of down town Elk City, via

old OK.Hwy.#34; 43.0 ft.N.& 30.0 ft.E.of approx.W $\frac{1}{4}$ cor.sec.11,T11N,R21W; 30.0 ft.E.Of C/L hwy. OSCC Marker. C/L top Elk City W.T.about 1.5 mi. in azimuth 164°10'02"; C/L E.apex center gable on W.side of large 2 story farmhouse about 0.75 mi.in azimuth 254°43'42"; C/L N.apex farmhouse about 0.5 mi.in azimuth 353°20'37".

X-1,582,702.95 Y-132,294.03 El. 1926.057 ft.

10-J-51 TT 1936; Beckham Co., 5.1 mi.SE.of Elk City, via old OK.Hwy.#34; 616.0 ft.S.& 38.0 ft.W.of approx.NE.cor.sec.15,T10N,R21W; 38.0 ft. W.of C/L hwy.& in range of cross fence W. OSCC Marker. C/L E.apex farm house about 0.75 mi.in azimuth 42°48'37"; C/L E.gable on large farmhouse about 1 mi.in azimuth 88°10'34"; C/L W.apex on house about 0.5 mi.in azimuth 244°07'49".

X-1,582,535.34 Y-126,854.47 El. 1962.057 ft.

10-J-51-A TT 1936; Beckham Co., 5.5 mi.SE.of Elk City, via old OK. Hwy.#34; 51.0 ft.E.& 41.0 ft.N.of approx.SW.cor.sec.14,T10N,R21W; consists of small lug bolt set reversed in conc.block cast-in-place. C/L N.sable on large 1 $\frac{1}{2}$ story farmhouse about 1.75 mi.in azimuth 44°43'34"; C/L E.apex small farmhouse about 0.5 mi.in azimuth 81°34'39"; C/L W.apex farmhouse about 0.75 mi.in azimuth 202°19'39".

X-1,582,603.87 Y-124,854.61 El. 1937.236 ft.

10-J-52 TT 1936; Beckham Co., 6.9 mi.SE.of Elk City, via old OK.Hwy.#34; 660.0 ft.N.& 36.0 ft.W.of approx.W $\frac{1}{4}$ cor.sec.26,T10N,R21W; 36.0 ft.W. of C/L hwy. OSCC Marker. C/L top Elk City W.T.about 6 mi.in azimuth 174°32'48"; C/L NW.cor.redrock farmhouse about 0.5 mi.in azimuth 244°49'38"; C/L W.apex Ural Baptist Church about 1.5 mi.in azimuth 323°53'48".

X-1,582,392.97 Y-117,584.90 El. 1889.777 ft.

10-J-53 TT 1936; Beckham Co., 8.0 mi.SE.of Elk City, via old OK.Hwy.#34; 656.0 ft.N.& 70.0 ft.E.of approx.W $\frac{1}{4}$ cor.sec.34,T10N,R21W; on top of prominent red rock knoll just E.of hwy., 70.0 ft.E.of its C/L. OSCC Marker. C/L SE.cor.red rock house about 1.5 mi.in azimuth 207°14'46"; C/L N.apex Ural Baptist Church about 0.75 mi.in azimuth 304°44'51"; C/L N. apex farmhouse about 1 mi.in azimuth 359°33'41".

X-1,582,451.76 Y-112,228.91 El. 1807.091 ft.

13-B-47 & 13-B-48 TT 1936; Junction Stations. See Traverse 13-B. See Bulletin # 58.

Traverse 10-K; Ellis, Roger Mills & Beckham Co's.

10-H-16 TT 1936 to 10-K-59 TT 1936

North Projection

10-H-16 TT 1936; Junction Station. See Traverse 10-H.

10-K-1 TT 1936; Ellis Co., 0.5 mi.E.of Arnett; in approx.NE.cor. SE.SE.sec.9,T19N,R24W; 48.0 ft.W.of C/L US.Hwy.#283, in range of cross fence to W., S.of George Balden farmhome. OSCC Marker. C/L Arnett W.T. in azimuth 96°31'55".

X-1,481,247.91 Y-417,334.33 El. 2442.512 ft.

10-K-2 TT 1936; Ellis Co., 1.85 mi.S.of Arnett; in approx.NW $\frac{1}{4}$ sec. 22,T19N,R24W; 47.5 ft.E.of C/L US.Hwy.#283, in range with cross fence to W., 493.0 ft.S.of triple 10 ft.conc.culvert. OSCC Marker.

X-1,481,193.54 Y-408,588.59 El. 2385.560 ft.

10-K-3 TT 1936; Ellis Co., 3.1 mi.S.of Arnett; 632.3 ft.S.& 47.5 ft.W.of approx.E $\frac{1}{4}$ cor.sec.28,T19N,R24W; 47.5 ft.W.of C/L US.Hwy.#283; 25.0 ft.E.& 40.0 ft.N.of cross tie fence post. OSCC Marker. C/L Arnett W.T.in azimuth 168°34'56".

X-1,480,955.31 Y-402,115.25 El. 2418.681 ft.

10-K-4 TT 1936; Ellis Co., 4.95 mi.S.of Arnett; in approx.SE.cor. NE $\frac{1}{4}$ sec.9,T18N,R24W; 47.5 ft.E.of C/L US.Hwy.#283; 15.0 ft.N.of cattle guard in E.R/W fence. OSCC Marker. C/L Arnett W.T.in azimuth 154°40'13".

X-1,481,007.21 Y-392,806.16 El. 2419.236 ft.

10-K-5 TT 1936; Ellis Co., 6.0 mi.S.of Arnett; in approx.SE.cor.NE $\frac{1}{4}$

sec.9,T16N,R24W; on top of sand clay cut of US.Hwy.#283; 56.0 ft.W.of C/L hwy. OSCC Marker. C/L Higgins, Texas W.T.in azimuth 108°12'53"; C/L USC&GS BM P-104 in azimuth 359°34'55".

X-1,480,831.75 Y-386,824.95 El. 2409.931 ft.

10-K-6 TT 1936; Ellis Co., 8.0 mi.S.of Arnett; 600.0 ft.S.& 47.5 ft.E.of approx.W $\frac{1}{2}$ cor.sec.22,T18N,R24W; 47.5 ft.E.of C/L US.Hwy.# 283. OSCC Marker. C/L Higgins, Texas W.T.in azimuth 115°07'13"; C/L Arnett W.T.in azimuth 175°48'13".

X-1,480,875.09 Y-375,788.37 El. 2406.667 ft.

10-K-7 TT 1936; Ellis Co., 9.0 mi.S.of Arnett; 47.5 ft.W.& 4.0 ft. S.of approx.E $\frac{1}{2}$ cor.sec.28,T18N,R24W; 185.0 ft.W.& 65.0 ft.S.of Walter Hixon's 1 story T-shaped house on opposite side of US.Hwy.#283. OSCC Marker.

X-1,480,668.25 Y-370,886.83 El. 2397.395 ft.

10-K-8 TT 1936; Ellis Co., 10.5 mi.S.of Arnett; 139.0 ft.N.& 47.5 ft.E.of approx.SW.cor.sec.34,T18N,R24W; on top of sand hummock. OSCC Marker.

X-1,480,682.43 Y-363,025.20 El. 2368.917 ft.

10-K-9 TT 1936; Ellis Co., 12.1 mi.S.of Arnett; 450.0 ft.S.& 47.5 ft.W.of approx.E $\frac{1}{2}$ cor.sec.9,T17N,R24W; 47.5 ft.W.of C/L US.Hwy.#283. OSCC Marker. C/L NE.cor.chimney on schoolhouse in azimuth 353°35'12";

X-1,480,500.32 Y-354,582.64 El. 2309.494 ft.

10-K-10 TT 1936; Ellis Co., 14.0 mi.S.of Arnett; 60.0 ft.S.& 47.5 ft.E.of approx.W $\frac{1}{2}$ cor.sec.22,T17N,R24W; 47.5 ft.E.of C/L US.Hwy.#283; OSCC Marker.

X-1,480,502.51 Y-345,694.58 El. 2275.642 ft.

10-K-11 TT 1936; Ellis Co., 15.0 mi.S.of Arnett; 24.0 ft.N.& 20.0 ft.W.of approx.SE.cor.sec.27,T17N,R24W; approx. 100.0 ft.W.of PC of curve left of US.Hwy.#283. OSCC Marker.

X-1,480,363.79 Y-341,676.18 El. 2259.813 ft.

10-K-12 TT 1934 = USC&GS BM T-104 1934; Ellis Co., 16.7 mi.SE. of Arnett; 0.5 mi.N.of hwy.curve; in approx.NW $\frac{1}{4}$ sec.34,T17N,R24W; 35.0 ft. E.of C/L US.Hwy.#283, across road from rip-rapped sand bank. Std.disk set in conc.post stamped T-104 1934 & 10-K-12 TT 1936.

X-1,483,469.18 Y-334,984.39 El. 2266.035 ft.

10-K-13 TT 1936; Ellis Co., 17.4 mi.SE.of Arnett, via US.Hwy.#283; 1.8 mi.N.of N.end of bridge across S.Canadian River; in approx.NW $\frac{1}{4}$ sec. 3,T16N,R24W; 195.0 ft.N.of C/L hwy. N.of acute fence angle on W.brow of arroyo. approx. 1200.0 ft.N.of filling station & grocery store. OSCC Marker. C/L SE.cor.chimney on 2 story frame house in azimuth 127°55'17".

X-1,486,873.51 Y-330,545.16 El. 2267.222 ft.

10-K-14 TT 1936; Ellis Co., 17.9 mi.SE.of Arnett, via US.Hwy.#283; 1.3 mi.N.of N.end of bridge across S.Canadian River; 3.0 ft.N.& 65.0 ft. W.of approx.center sec.3,T16N,R24W; 65.0 ft.E.of C/L hwy.on W.brow of S.Canadian River Valley. OSCC Marker. C/L NE.cor.chimney on 2 story house in azimuth 148°15'07".

X-1,488,098.42 Y-327,828.13 El. 2249.686 ft.

10-K-15 TT 1936; Ellis Co., 18.85 mi.SE.of Arnett, via US.Hwy.#283; 47.5 ft.E.of C/L hwy., 1623.8 ft.N.of N.end of bridge across S.Canadian River in range of E.wheel guard; 281.3 ft.N.of 24 in.diameter conc.pipe culvert underlining. OSCC Marker. C/L E.edge NE.member NE.cor.Pack Saddle Bridge in azimuth 14°47'59".

X-1,488,524.67 Y-323,254.66 El. 2031.078 ft.

10-K-16 TT 1936; Roger Mills Co., 6.0 mi.N.of Roll, via US.Hwy.# 283; 386.0 ft.S.of S.end of bridge across S.Canadian River in range of C/L extended southerly. In toe of W.wall of hwy.cut; 34.0 ft.W.of C/L hwy.curve. OSCC Marker. C/L USC&GS BM V-104 in azimuth 192°29'37".

X-1,487,022.90 Y-317,631.89 El. 2031.156 ft.

10-K-17 TT 1936; Roger Mills Co., 5.45 mi.N.of Roll; in approx.NW $\frac{1}{4}$ sec.23,T16N,R24W; 49.5 ft.E.of C/L US.Hwy.#283; 1.0 ft.W.& 3.0 ft.N.of triangular conc.post. O.S.H.C.project marker. OSCC Marker. C/L SW.cor.of

- chimney on 1 story farmhouse in azimuth $299^{\circ}14'15''$.
 X-1,487,531.63 Y-315,025.55 El. 2112.843 ft.
 10-K-18 TT 1936; Roger Mills Co., 4.15 mi.N.of Roll; 1975.0 ft.S. & 47.5 ft.W.of approx.W $\frac{1}{2}$ cor.sec.27,T16N,R24W. OSCC Marker. C/L NW.cor. chimney on 2 room frame house in azimuth $207^{\circ}11'36''$; To USC&GS BM W-104 in azimuth $359^{\circ}51'44''$.
 X-1,487,328.55 Y-308,819.40 El. 2220.098 ft.
 10-K-19 TT 1936; Roger Mills Co., 3.2 mi.N.of Roll; 393.0 ft.S.& 47.5 ft.E.of approx.W $\frac{1}{2}$ cor.sec.35,T16N,R24W. OSCC Marker. C/L E.edge of chimney on 4 room farmhouse in azimuth $00^{\circ}17'05''$.
 X-1,487,353.87 Y-303,884.87 El. 2275.557 ft.
 10-K-20 TT 1936; Roger Mills Co., 2.3 mi.N.of Roll; 592.0 ft.S.& 132.0 ft.E.of approx.NW.cor.sec.2,T15N,R24W; 47.0 ft.W.of C/L US.Hwy.# 283 & 2.5 ft.E.of W.R/W fence. OSCC Marker. C/L E.edge of chimney on 2 room farmhouse in azimuth $01^{\circ}43'04''$.
 X-1,487,397.82 Y-299,648.37 El. 2248.846 ft.
 10-K-21 TT 1936 = X-104 1934; Roger Mills Co., 13.2 mi.NW.of AT&SF RR depot at Cheyenne; in approx.NE.cor.NW.NW $\frac{1}{2}$ sec.11,T15N,R24W; 300.0 ft.W.of schoolhouse; 135.0 ft.N.of C/L sec.line road; 42.0 ft.W.of C/L US.Hwy.#283; 43.0 ft.E.of C/L OK.Hwy.#33 at "Y" in roads. Std.disk set in conc.post stamped X-104 1934 & 10-K-21 TT 1936; C/L apex roof on house about 1 mi.in azimuth $94^{\circ}18'03''$; C/L E.end comb roof on house about 0.5 mi.in azimuth $121^{\circ}54'30''$; C/L W.end of roof on school about 0.11 mi.in azimuth $266^{\circ}50'18''$.
 X-1,489,161.58 Y-294,820.43 El. 2302.410 ft.
 10-K-22 TT 1936; Roger Mills Co., in N.margin of Roll; 634.0 ft.N. & 53.0 ft.E.of approx.SW.cor.sec.12,T15N,R24W; 53.0 ft.E.of C/L US.Hwy.# 283; in fence corner. OSCC Marker. C/L N.end gable on $1\frac{1}{2}$ story house about 1 mi.in azimuth $00^{\circ}18'12''$; C/L chimney on house about 2.5 mi. in azimuth $78^{\circ}02'54''$; C/L E.end roof on schoolhouse about 0.75 mi.in azimuth $150^{\circ}50'26''$.
 X-1,492,339.24 Y-290,252.88 El. 2296.209 ft.
 10-K-23 TT 1936; Roger Mills Co., 0.5 mi.S.of Roll & 12.7 mi.NW.of Cheyenne, via US.Hwy.#283; 218.0 ft.S.& 47.5 ft.W.of approx.E $\frac{1}{2}$ cor.sec. 14,T15N,R24W; 100.0 ft.S.& 135.0 ft.W.of L-shaped farmhouse of A.L.McFarlane; in range of S.yard fence. OSCC Marker. C/L N.apex on farmhouse about 1 mi.in azimuth $52^{\circ}23'08''$; C/L chimney on farmhouse about 2 mi.in azimuth $90^{\circ}19'18''$; C/L chimney on 2 story farmhouse about 2 mi.in azimuth $135^{\circ}59'08''$.
 X-1,492,182.21 Y-286,773.87 El. 2282.359 ft.
 10-K-24 TT 1936; Roger Mills Co., 2.0 mi.S.of Roll; 11.2 mi.NW.of Cheyenne, via US.Hwy.#283; in approx.SW.cor.sec.24,T15N,R24W; in acute angle formed by hwy.curve to left & sec.line road continuing S., 162.0 ft.S.of apex of C/L; 118.0 ft.W.of cattle guard in E.R/W fence; 231.0 ft.N.of cross fence to W. OSCC Marker. C/L NW.chimney on farmhouse about 3 mi.in azimuth $101^{\circ}15'56''$; C/L chimney on farmhouse about 3 mi.in azimuth $115^{\circ}29'56''$; C/L chimney on house about 3 mi.in azimuth $155^{\circ}34'36''$.
 X-1,492,147.02 Y-279,302.36 El. 2213.854 ft.
 10-K-25 TT 1936; Roger Mills Co., 10.9 mi.NW.of Cheyenne, via US.Hwy.#283; in approx.NE.cor.SW.NW.sec.25,T15N,R24W; on shale rib W.of brow of arroyo; 75.0 ft.E.of C/L hwy., 150.0 ft.S.of 2 x 2 ft.conc.culvert. OSCC Marker. C/L E.apex on farmhouse in azimuth $36^{\circ}26'12''$.
 X-1,492,695.83 Y-277,719.03 El. 2152.336 ft.
 10-K-26 TT 1936; Roger Mills Co., 10.25 mi.NW.of Cheyenne, via US.Hwy.#283; in approx.NW.cor.SW.SW.sec.25,T15N,R24W; 57.5 ft.E.of C/L hwy. 3.0 ft.S.& 2.5 ft.W.of S.gate post of abandoned ranch drive; 129.0 ft.S. of present drive; 361.0 ft.S.of 2 x 2 x 40 ft.conc.culvert. OSCC Marker. C/L E.apex on house about 2.5 mi.in azimuth $146^{\circ}43'52''$.
 X-1,492,104.12 Y-274,940.71 El. 2108.856 ft.
 10-K-27 TT 1936; Roger Mills Co., 9.6 mi.NW.of Cheyenne, via US.Hwy.#283; in approx.center SW.NW.sec.36,T15N,R24W; 135.0 ft.W.of C/L Hwy.

at PT of curve; 261.0 ft.NW.of 10 x 40 ft.conc.culvert; 236.0 ft.S. of jct.of side road from W., on top of cone shaped red shale butte. OSCC Marker. C/L chimney on farmhouse about 0.5 mi.in azimuth 187°17'56"; C/L N.apex farmhouse about 3 mi.in azimuth 331°00'06".

X-1,492,669.79 Y-272,064.02 El. 2088.009 ft.

10-K-28 TT 1936; Roger Mills Co., 8.5 mi.NW.of Cheyenne, via US. Hwy.#283; in approx.SE.cor.sec.36,T15N,R24W; 160.0 ft.E.of C/L hwy., 256.0 ft.N.of cattle guard in E.R/W fence; about 0.5 mi.N.of Dead Indian Creek, on highest point of red shale butte. OSCC Marker. C/L E.apex on farmhouse about 1.5 mi.in azimuth 55°27'35"; C/L peak Strong City W. T. about 6 mi.in azimuth 305°24'55"; C/L N.apex on farmhouse about 2 mi.in azimuth 337°32'40".

X-1,496,455.70 Y-267,708.43 El. 2090.331 ft.

10-K-29 TT 1936; Roger Mills Co., 7.0 mi.NW.of Cheyenne, via US. Hwy.#283; 207.0 ft.S.& 66.0 ft.W.of approx.E $\frac{1}{2}$ cor.sec.12,T14N,R24W; 5.6 ft.W.of W.R/W fence; 207.0 ft.S.of cross fence. OSCC Marker. C/L W.apex on farmhouse about 1.5 mi.in azimuth 226°07'12"; C/L W.apex farmhouse about 2.5 mi.in azimuth 245°54'47"; C/L W.apex on farmhouse about 0.5 mi. in azimuth 302°56'42".

X-1,496,902.69 Y-260,271.75 El. 2093.922 ft.

10-K-30 TT 1936; Roger Mills Co., 5.8 mi.NW.of Cheyenne, via US. Hwy.#283; in approx.SE.SW.sec.18,T14N,R23W; 120.0 ft.W.of 3 x 2 x 40 ft. conc.box culvert under hwy., 807.67 ft.NW.of USC&GS BM B-105 1934. OSCC Marker. C/L chimney on farmhouse about 2 mi.in azimuth 202°30'02"; C/L S.apex farmhouse about 1 mi.in azimuth 215°03'37"; C/L chimney on farm house about 4 mi.in azimuth 226°21'57".

X-1,498,125.13 Y-254,606.86 El. 2131.884 ft.

10-K-31 TT 1936; Roger Mills Co., 5.5 mi.NW.of Cheyenne, via US. Hwy.#283; in approx.center of NE.SW.sec.18,T14N,R23W; 57.0 ft.E.of C/L hwy., 292.0 ft.S.of 3 x 3 x 40 ft.conc.box culvert; 663.75 ft.S.of USC& GS BM B-105 1934. OSCC Marker. C/L W.apex on house about 6 mi.in azimuth 212°35'21"; C/L peak Strong City W.T.about 6 mi.in azimuth 282°55'21".

X-1,499,122.20 Y-253,532.49 El. 2131.390 ft.

10-K-32 TT 1936; Roger Mills Co., 4.6 mi.NW.of Cheyenne, via US.Hwy. #283; in approx.center NE.SW.sec.19,T14N,R23W; 60.0 ft.W.of C/L hwy., 641.0 ft.S.of jct.of S.line of "Y" of US.Hwy.#283 & OK.Hwy.#33 at point 4.7 mi.N.of Cheyenne; on top of 10 ft.cut bank. OSCC Marker. C/L peak of Strong City W.T.about 0.5 mi.in azimuth 274°24'43".

X-1,501,454.11 Y-249,586.29 El. 2025.402 ft.

10-K-33 TT 1936; Roger Mills Co., 3.65 mi.NW.of Cheyenne, via US. Hwy.#283; 782.0 ft.S.& 176.0 ft.E.of approx.center sec.30,T14N,R23W; 62.0 ft.W.of C/L hwy. OSCC Marker. C/L peak E.standpipe in Cheyenne, about 5 mi.in azimuth 00°29'19"; C/L peak roof on sq.farmhouse about 2.5 mi.in azimuth 335°05'39"; C/L N.apex farmhouse about 2.5 mi.in azimuth 347°02' 19".

X-1,503,354.31 Y-245,367.82 El. 2084.143 ft.

10-K-34 TT 1936; Roger Mills Co., 3.0 mi.N.of Cheyenne; 654.0 ft.E. & 30.0 ft.S.of approx.NW.cor.sec.32,T14N,R23W; 654.0 ft.E.of C/L US.Hwy. #283; 30.0 ft.S.of C/L E-W Co.road; 121.0 ft.W.of field fence to S. OSCC Marker. C/L apex Cheyenne E.standpipe about 4 mi.in azimuth 06°41'09"; C/L E.apex stone house about 0.5 mi.in azimuth 56°37'14"; C/L ball on Strong City W.T.about 5 mi.in azimuth 252°34'49".

X-1,505,388.07 Y-242,057.19 El. 2000.163 ft.

10-K-35 TT 1936; Roger Mills Co., 2.0 mi.N.of Cheyenne; 280.0 ft.N. & 59.0 ft.W.of approx.SE.cor.sec.31,T14N,R23 W; 59.0 ft.W.of C/L US.Hwy. #283; 115.0 ft.S.of S.gate post in W.R/W fence. OSCC Marker. C/L peak of Cheyenne E.standpipe about 3 mi.in azimuth 04°21'11"; C/L W.apex on farm house about 1.5 mi.in azimuth 272°38'21"; C/L peak of roof on farmhouse about 1.5 mi.in azimuth 303°48'11".

X-1,504,229.39 Y-237,095.59 El. 1957.957 ft.

10-K-36 TT 1936; Roger Mills Co., 1.2 mi.N.of Cheyenne; in approx.

NW.cor.SW.sec.5,T13N,R23W; 50.0 ft.E.of C/L US.Hwy.#283; 612.0 ft.N.of N.end of conc.bridge over Washita River; 18.0 ft.S.& 54.0 ft.W.of SW.cor. farmhouse; in range of cross fence E. OSCC Marker. C/L chimney on farm house about 1.5 mi.in azimuth $51^{\circ}25'20''$; C/L W.apex on farmhouse about 1 mi.in azimuth $285^{\circ}43'40''$; C/L N.apex gable on 2 story house on hill top about 1 mi.in azimuth $354^{\circ}15'10''$.

X-1,504,215.54 Y-232,844.34 El. 1936.957 ft.

10-K-37 TT 1936; Roger Mills Co., In Cheyenne High School yard; 55.0 ft.N.& 2.0 ft.E.of most southerly NE.cor., 16.5 ft.N.& 26.0 ft.E. of most northerly NE.cor.of school bldg. OSCC Marker. C/L chimney farm house about 3 mi.in azimuth $124^{\circ}22'31''$; C/L chimney on farmhouse about 3 mi.in azimuth $197^{\circ}23'01''$; C/L W.apex S.gable on house about 0.11 mi. in azimuth $275^{\circ}49'46''$.

X-1,504,012.70 Y-227,212.94 El. 2009.705 ft.

10-K-38 TT 1936; Roger Mills Co., 1.25 mi.S.of Cheyenne; 0.18 mi.E. of US.Hwy.#283; 20.0 ft.W.of C/L N-S road & 64.0 ft.E.of old conc.cistern curb; about 1500.0 ft.SE.of Cheyenne's twin W.T.'s OSCC Marker. C/L chimney on farmhouse about 1 mi.in azimuth $32^{\circ}47'35''$; C/L E.apex farm house about 2.5 mi.in azimuth $87^{\circ}42'40''$; C/L apex Cheyenne's E. standpipe about 0.25 mi.in azimuth $143^{\circ}55'20''$.

X-1,503,861.82 Y-222,098.98 El. 2095.445 ft.

10-K-39 TT 1936 = USC&GS BM G-105; Roger Mills Co., 2.8 mi.S.of AT & SF RR depot at Cheyenne; 0.1 mi.S.of farmyard; near approx.SW.cor.NE. NE.sec.30,T13N,R23W; 50.0 ft.W.of C/L US.Hwy.#283 on crest of hill. Std. disk set in conc.post stamped G-105 1934 & 10-K-39 TT 1936. C/L N.apex farmhouse about 2 mi.in azimuth $13^{\circ}15'32''$; C/L apex S.gable on 2 story farmhouse about 3 mi.in azimuth $144^{\circ}50'57''$; C/L peak of E. standpipe in Cheyenne, about 1.5 mi.in azimuth $182^{\circ}12'42''$.

X-1,502,836.64 Y-214,643.94 El. 2119.953 ft.

10-K-40 TT 1936; Roger Mills Co., 3.1 mi.S.of Cheyenne, via US.Hwy. #283; near approx.SE.cor.NW.SW.sec.29,T13N,R23W; 878.0 ft.N.of S.sec. line; 48.0 ft.W.of C/L hwy., 519.0 ft.W.of red stone farmhouse. OSCC Marker. C/L N.apex farmhouse about 1.5 mi.in azimuth $14^{\circ}19'49''$; C/L E. apex farmhouse about 6 mi.in azimuth $118^{\circ}57'29''$; C/L apex E. standpipe in Cheyenne, about 2.5 mi.in azimuth $184^{\circ}21'14''$.

X-1,502,270.76 Y-211,359.71 El. 2149.351 ft.

10-K-41 TT 1936; Roger Mills Co., 4.35 mi.S.of Cheyenne, via US.Hwy. #283; 487.0 ft.S.& 58.5 ft.E.of approx.N $\frac{1}{4}$ (closing) cor.sec.6,T12N,R23W; 58.0 ft.E.of C/L hwy., 77.0 ft.S.& 38.0 ft.W.of small faded farmhouse. OSCC Marker. C/L apex S.gable on 2 story house about 3 mi.in azimuth $160^{\circ}00'13''$; C/L apex E. standpipe in Cheyenne, about 3 mi.in azimuth $182^{\circ}28'03''$.

X-1,502,370.46 Y-204,743.34 El. 2240.719 ft.

10-K-42 TT 1936; Roger Mills Co., 5.0 mi.S.of Cheyenne, via US.Hwy. #283; near approx.SE.cor.NE.SW.sec.6,T12N,R23W; 50.0 ft.W.of C/L hwy., 350.0 ft.N.of E-W fence line. OSCC Marker. C/L chimney on sq.farmhouse about 1.5 mi.in azimuth $17^{\circ}52'52''$; C/L chimney on farmhouse about 3 mi. in azimuth $144^{\circ}01'52''$; C/L chimney on farmhouse about 2 mi.in azimuth $346^{\circ}09'52''$.

X-1,502,266.90 Y-201,675.56 El. 2289.023 ft.

10-K-43 TT 1936; Roger Mills Co., 6.05 mi.S.of Cheyenne, via US.Hwy. #283; 1335.0 ft.N.& 662.0 ft.E.of approx.S $\frac{1}{2}$ cor.sec.7,T12N,R23W; 45.0 ft. W.of C/L hwy., 1603.0 ft.NW.of small filling station W.of road. OSCC Marker. C/L NE.cor.chimney on sq.farmhouse about 0.75 mi.in azimuth $53^{\circ}07'39''$; C/L E.apex farmhouse about 1.25 mi.in azimuth $134^{\circ}09'34''$; C/L N. apex 2 story farmhouse about 1 mi.in azimuth $332^{\circ}24'49''$.

X-1,502,889.24 Y-196,053.54 El. 2251.524 ft.

10-K-44 TT 1936; Roger Mills Co., 6.75 mi.S.of Cheyenne, via US.Hwy. #283; 549.0 ft.N.& 1043.0 ft.W.of approx.E $\frac{1}{4}$ cor.sec.18,T12N,R23W; 51.0 ft.E.of C/L US.Hwy.#283 on top of 8 ft.sandy cut bank; 3.0 ft.E.of E.R/W fence. OSCC Marker. C/L N.apex farmhouse about 1 mi.in azimuth $35^{\circ}37'18''$.

C/L SE.cor.chimney on farmhouse about 0.75 mi.in azimuth $104^{\circ}15'33''$;
C/L northmost chimney on 2 story farmhouse about 1.5 mi.in azimuth $146^{\circ}34'03''$.

X-1,503,708.31 Y-192,620.57 El. 2258.684 ft.

10-K-45 TT 1936; Roger Mills Co., 7.2 mi.S.of Cheyenne, via US.Hwy. #283; 1150.0 ft.N.& 22.0 ft.W.of approx.SE.cor.sec.18,T12N,R23W; 55.0 ft. N.of vertex of road angle; in acute angle between hwy.& N-S sec.line road NE.of hwy. OSCC Marker. C/L chimney on farmhouse about 1.5 mi. in azimuth $73^{\circ}32'57''$; C/L chimney on sq.top farmhouse about 1.5 mi.in azimuth $120^{\circ}51'57''$; C/L chimney on farmhouse about 1.5 mi.in azimuth $184^{\circ}49'27''$.

X-1,504,841.35 Y-190,559.27 El. 2302.992 ft.

10-K-46 TT 1936; Roger Mills Co., 8.4 mi.S.of Cheyenne, via US.Hwy. #283; 42.0 ft.S.& 74.0 ft.E.of approx.NW.cor.sec.29,T12N,R23W; 74.0 ft. E.of C/L hwy. OSCC Marker. C/L chimney on house on horizon about 4 mi.in azimuth $42^{\circ}25'35''$; C/L chimney on house on horizon about 6 mi.in azimuth $91^{\circ}38'45''$; C/L NW.cor.Berlin School about 5 mi.in azimuth $326^{\circ}16'05''$.

X-1,504,799.19 Y-184,038.32 El. 2324.127 ft.

10-K-47 TT 1936 = USC&GS K-105 1934; Roger Mills Co., 9.0 mi.S. of AT&SF RR depot at Cheyenne; near approx.SE.cor.NE.sec.30,T12N,R23W; 50.0 ft.W.of C/L US.Hwy.#283; at N.end of curve to E.where sec.line road forks off from hwy. Std.disk set in conc.post stamped K-105 1934 & 10-K-47 TT 1936. C/L N.apex farmhouse about 1.5 mi.in azimuth $34^{\circ}15'13''$; C/L chimney on 2 story farmhouse about 2 mi.in azimuth $105^{\circ}45'03''$; C/L NE.cor. Berlin School about 3 mi.in azimuth $321^{\circ}00'43''$.

X-1,504,615.71 Y-181,549.90 El. 2291.495 ft.

10-K-48 TT 1936; Roger Mills Co., 9.5 mi.S.of Cheyenne, via US.Hwy. #283; near approx.NE.cor.NW.NW.sec.32,T12N,R23W; 87.0 ft.E.of C/L of hwy. 632.0 ft.N.of E-W fence near P.I. of short curve to S.on top of 10 ft. sandy cut bank. OSCC Marker. C/L N.apex on farmhouse about 1 mi.in azimuth $56^{\circ}40'44''$; C/L E.apex on farmhouse about 2 mi.in azimuth $92^{\circ}29'04''$; C/L NE.cor.Berlin School about 2.25 mi.in azimuth $316^{\circ}16'54''$.

X-1,505,934.30 Y-178,126.37 El. 2237.451 ft.

10-K-49 TT 1936; Roger Mills Co., 11.4 mi.S.of Cheyenne, 1.4 mi.W. of Berlin, via US.Hwy.#283; 269.0 ft.N.& 46.0 ft.E.of approx.S $\frac{1}{4}$ cor.sec. 5,T11N,R23W; 46.0 ft.E.of C/L hwy., 289.2 ft.NE.of filling sta.at cor. OSCC Marker. C/L S.apex large 2 story house about 6 mi.in azimuth $141^{\circ}00'34''$; C/L NW.cor.Berlin School about 1.5 mi.in azimuth $272^{\circ}11'59''$; C/L N.apex on farmhouse about 1.5 mi.in azimuth $297^{\circ}39'59''$.

X-1,507,169.92 Y-168,558.03 El. 2196.372 ft.

10-K-50 TT 1936 = USC&GS M-105 1934; Roger Mills Co., 9.3 mi.N.of CRI&P RR depot at Sayre; 0.4 mi.N.of sec.line road; near approx.NE.cor. SW.sec.17,T11N,R23W; 50.0 ft.W.of C/L US.Hwy.#283; 6.0 ft.E.of fence line. Std.disk set in conc.post stamped M-105 1934 & 10-K-50 TT 1936. C/L NE.cor.NE.chimney on farmhouse about 1 mi.in azimuth $35^{\circ}50'20''$; C/L S.apex on farmhouse about 1.5 mi.in azimuth $160^{\circ}41'30''$; C/L apex of gable over N.door of farmhouse about 1.5 mi.in azimuth $344^{\circ}08'30''$.

X-1,506,874.32 Y-159,760.63 El. 2103.773 ft.

10-K-51 TT 1936; Beckham Co., 14.25 mi.S.of Cheyenne; 8.2 mi.N.of Sayre, via US.Hwy.#283; 1162.0 ft.N.& 58.0 ft.E.of approx.S $\frac{1}{4}$ cor.sec.20, T11N,R23W; 58.0 ft.E.of C/L hwy., about 0.25 mi.N.of two filling stations. OSCC Marker. C/L E.peak of farmhouse about 0.75 mi.in azimuth $130^{\circ}22'19''$; C/L S.apex on farmhouse about 1 mi.in azimuth $241^{\circ}38'04''$; C/L N.apex on farmhouse about 1 mi.in azimuth $332^{\circ}20'14''$.

X-1,506,752.21 Y-153,561.93 El. 2079.046 ft.

10-K-52 TT 1936; Beckham Co., 14.9 mi.S.of Cheyenne; 7.5 mi.N.of Sayre, via US.Hwy.#283; 3.0 ft.N.& 10.0 ft.E.of approx.center sec.29, T11N,R23W; 122.0 ft.W.of C/L hwy., in S.edge of field; 41.0 ft.S.& 85.0 ft.W.of conc.hdw.of 24 inch conc.culvert under hwy. OSCC Marker. C/L E. apex farmhouse about 3 mi.in azimuth $51^{\circ}33'03''$; C/L S.apex farmhouse about 1 mi.in azimuth $223^{\circ}59'18''$; C/L N.apex farmhouse about 0.5 mi. in

azimuth $294^{\circ}06'53''$.

X-1,506,687.49 Y-149,759.81 El. 2093.000 ft.
 10-K-53 TT 1936; Beckham Co., 6.45 mi.N.of Sayre, via US.Hwy.#283;
 near approx.NE.cor.SW.sec.33,T11N,R23W; 52.0 ft.E.of C/L hwy. near PC
 of curve to NW. in range of E-W fence line; about 0.4 mi.NW.of filling
 station at E-W sec.line crossing & on top of 6 ft.cut bank. OSCC Marker.
 C/L chimney on 2 story house about 3 mi.in azimuth $221^{\circ}02'01''$; C/L NE.
 cor.chimney on farmhouse about 0.5 mi.in azimuth $285^{\circ}08'51''$; C/L apex
 Sayre W.T.about 6.5 mi.in azimuth $359^{\circ}31'11''$.

X-1,511,383.34 Y-143,722.92 El. 2066.272 ft.
 10-K-54 TT 1936; Beckham Co., 6.05 mi.N.of Sayre, via US.Hwy.#283;
 30.0 ft.N.& 56.0 ft.E.of approx.S $\frac{1}{2}$ cor.sec.33,T11N,R23W; 88.5 ft.N. of
 filling station which is SE.of intersection; 2.0 ft.N.& 4.4 ft.E.of NE.
 R/W fence cor.in field. OSCC Marker. C/L ball on Sayre W.T.in azimuth
 $00^{\circ}32'12''$; C/L chimney on farmhouse about 1.5 mi.in azimuth $35^{\circ}24'42''$;
 C/L NW.cor.chimney on farmhouse about 1 mi.in azimuth $250^{\circ}54'52''$.

X-1,511,901.76 Y-141,792.47 El. 2046.240 ft.
 10-K-55 TT 1936; Beckham Co., 5.05 mi.N.of Sayre, via US.Hwy.#283;
 28.0 ft.N.& 45.0 ft.W.of approx.S $\frac{1}{2}$ cor.sec.4,T10N,R23W; 3.0 ft.S.& 3.2
 ft.W.of NW.R/W fence cor.& about 90.0 ft.SE.of small brown farmhouse.
 OSCC Marker. C/L apex Sayre W.T.about 4 mi.in azimuth $00^{\circ}09'13''$; C/L
 chimney on farmhouse about 1.5 mi.in azimuth $71^{\circ}51'23''$; C/L W.apex on
 farmhouse about 1 mi.in azimuth $273^{\circ}25'43''$.

X-1,511,699.14 Y-136,512.20 El. 2000.866 ft.
 10-K-56 TT 1936; Beckham Co., 3.55 mi.N.of Sayre; via US.Hwy.#283;
 50.0 ft.E.of approx.center sec.16,T10N,R23W; 50.0 ft.E.of C/L hwy. &
 in range of $\frac{1}{2}$ sec.fence line to W., 6.5 ft.N.& 2.5 ft.W.of 10 in.rounded
 fence post. OSCC Marker. C/L peak Sayre W.T.about 2.5 mi.in azimuth 00°
 $02'15''$; C/L chimney on farmhouse about 1 mi.in azimuth $104^{\circ}36'35''$; C/L
 chimney on large 2 story farmhouse about 2.5 mi.in azimuth $191^{\circ}32'25''$.

X-1,511,646.99 Y-128,568.64 El. 1977.887 ft.
 10-K-57 TT 1936; Beckham Co., 3.0 mi.N.of Sayre, via US.Hwy.#283;
 37.0 ft.S.& 50.0 ft.W.of approx.N $\frac{1}{2}$ cor.sec.21,T10N,R23W; 50.0 ft.W. of
 C/L hwy., 9.2 ft.S.& 2.0 ft.E.of SE.R/W fence cor. OSCC Marker. C/L N.
 apex farmhouse about 4 mi.in azimuth $49^{\circ}17'47''$; C/L S.apex on farmhouse
 about 1.5 mi.in azimuth $125^{\circ}42'07''$; C/L ball on top of Sayre W.T.about
 2 mi.in azimuth $359^{\circ}20'17''$.

X-1,511,493.54 Y-125,906.06 El. 1959.810 ft.
 10-K-58 TT 1936; Beckham Co., 1.5 mi.N.of Sayre, via US.Hwy.#283;
 4.0 ft.S.& 5.0 ft.E.of approx.center sec.28,T10N,R23W; 66.0 ft.E.of C/L
 curve in hwy., 4.0 ft.S.& 3.0 ft.E.of fence cor.in NW.cor.of small field.
 OSCC Marker. C/L E.apex farmhouse about 1 mi.in azimuth $110^{\circ}39'29''$; C/L
 E.apex on large 2 story farmhouse about 2 mi.in azimuth $130^{\circ}04'03''$; C/L
 ball on Sayre W.T.about 0.75 mi.in azimuth $356^{\circ}48'39''$.

X-1,511,381.21 Y-118,009.93 El. 1923.593 ft.

Note: Balance of this line will be found in Bulletin # 58.

Traverse 11-C; Beaver & Harper Co's.
 Flat Top Tri.Sta. to 8-C-64 TT 1934
 North Projection

Flat Top Tri.Sta., (Beaver Co., W.M. 1927; C.I.A. 1935) About 1.5
 mi.S.& 1.75 mi.W.of Speermore, Oklahoma; about 10.5 mi.N.& 8.0 mi.E.of
 Follett, Texas. On a hill known locally as Flat Top, on land owned by
 Clara Covey, who lives about 0.4 mi.NE.of station. Reached from Gatesby
 P.C.by going W. 0.05 mi., turn right (N.) 1.0 mi., then left (W.) 1.0
 mi., then right (N.) 7.0 mi.to cemetery on left. Turn left (W.) & go 0.6
 mi.to Speermore P.O., about 100.0 yds.to S.of road; continue W. 0.6 mi.,
 turn left (S.) 1.4 mi., turn right (W.) 1.3 mi.to top of ridge at white
 house on N.side of road, turn left (S.) into lane, go 0.3 mi.to S.end of

Mesa & station. Station is 75.0 ft.N.of S.rim & 70.0 ft.W.of E.rim of Mesa. Mark is std.disk cast in top of a 11 x 11 in.conc.post, inscribed "Flat Top 1927", projecting about 6 in.above ground.

X-1,405,019.95 Y-582,238.86 El. 2587.301 ft.
R.M.#1 is 184.97 m.(606.8 ft.) N.of sta., 80.0 ft.S.of N.rim & 15.0 ft. W.of E.rim of Mesa in azimuth 188°15'00".
R.M.#2 is 99.935 m.(327.89 ft.) W.of sta., 30.0 ft.E.of W.rim & 20.0 ft. N.of S.rim of Mesa in azimuth 80°52'32".

Azimuth mark is approx. 0.45 mi.NE.of sta.in azimuth 227°54'13". Reached from N.end of lane by going E.for 0.3 mi.to crossroads & mark is in SW. angle at fence cor., 30.0 ft.S.of C/L of E-W road & 25.0 ft.W.of C/L of N-S road.

Other azimuths: C/L Laverne W.T.in azimuth 221°31'27"; C/L Phillips tank in Laverne in azimuth 235°34'24".

11-C-1 TT 1934; Beaver Co., 7.67 mi.S.& approx. 8.0 mi.W.of Laverne; 3634.0 ft.S.& 30.0 ft.W.of approx.NE.cor.sec.31,T1N,R28E; on W.side of sec.line road about 1.0 ft.E.of fence line. USC&GS & State Marker. C/L N.chimney on house about 1 mi.in azimuth 140°49'44"; C/L chimney on Speermore Baptist Church about 1.5 mi.in azimuth 233°58'36"; C/L N.chimney on house about 1 mi.in azimuth 351°20'54".

X-1,406,771.81 Y-585,475.25 El. 2543.830 ft.

11-C-2 TT 1934; Beaver Co., 6.0 mi.S.& approx. 8.0 mi.W.of Laverne; in sec.29,T1N,R28E; on SE.cor.of sec.line road jct.with OK.Hwy.#35; on approx.property cor. USC&GS & State Marker. C/L N.chimney on house about 1 mi.in azimuth 50°58'14"; C/L N.chimney on house about 1 mi.in azimuth 92°35'04"; C/L S.chimney on house about 0.5 mi.in azimuth 267°40'20".

X-1,406,965.51 Y-594,351.88 El. 2442.608 ft.

11-C-3 TT 1934; Harper Co., 6.0 mi.S.& approx. 6.25 mi.W.of Laverne; in sec.28,T25N,R26W; on SE.cor.of jct.OK.Hwy.#35 & Beaver-Harper Co.line road. USC&GS & State Marker. C/L E.chimney on house about 0.75 mi.in azimuth 15°04'13"; C/L S.chimney on schoolhouse about 0.75 mi.in azimuth 255°33'03"; C/L Speermore Baptist Church about 0.75 mi.in azimuth 329°55'53".

X-1,412,275.01 Y-595,282.66 El. 2434.192 ft.

11-C-4 TT 1934; Harper Co., 6.0 mi.S.& 4.5 mi.W.of Laverne; in sec. 26,T25N,R26W; on S.side OK.Hwy.#35; about 3.0 ft.W.& 2.0 ft.N.of $\frac{1}{2}$ sec. fence line cor. USC&GS & State Marker. C/L S.chimney on schoolhouse about 0.75 mi.in azimuth 102°42'03"; C/L house about 0.5 mi.in azimuth 146°33'23"; C/L "Phillips 66" W.T.about 5 mi.in azimuth 240°21'53".

X-1,421,570.10 Y-596,321.34 El. 2330.095 ft.

11-C-5 TT 1934; Harper Co., 6.0 mi.W.& 3.9 mi.W.of Laverne; 496.0 ft.E.& 48.0 ft.N.of approx.SW.cor.sec.24,T25N,R26W; about 2.0 ft.S.of N. R/W fence. USC&GS & State Marker. C/L S.chimney on Union Center School house about 0.75 mi.in azimuth 95°53'11"; C/L "Phillips 66" W.T.about 4 mi.in azimuth 236°42'01"; C/L chimney on house about 1.5 mi.in azimuth 274°46'51".

X-1,424,741.89 Y-596,337.10 El. 2338.623 ft.

11-C-6 TT 1934; Harper Co., 6.0 mi.S.& 2.9 mi.W.of Laverne; 487.0 ft.E.& 48.0 ft.N.of approx.SW.cor.sec.19,T25N,R25W; about 2.0 ft.S.of N. R/W fence OK.Hwy.#35. USC&GS & State Marker. C/L chimney on house about 1.5 mi.in azimuth 56°03'42"; C/L chimney on house about 0.75 mi.in azimuth 86°29'42"; C/L "Phillips 66" W.T.about 3 mi.in azimuth 228°46'38".

X-1,429,856.01 Y-596,348.83 El. 2295.715 ft.

11-C-7 TT 1934; Harper Co., 6.0 mi.S.& 1.08 mi.W.of Laverne; 8443.0 ft.E.of 11-C-6; 3077.0 ft.W.of 11-C-8; in sec.20,T25N,R25W; about 2.0 ft. S.of N.R/W fence OK.Hwy.#35. USC&GS & State Marker. C/L chimney on house about 4 mi.in azimuth 77°47'26"; C/L E.chimney on house about 3 mi. in azimuth 110°15'16"; C/L "Phillips 66" W.T.about 2 mi.in azimuth 206°42'56".

X-1,438,295.30 Y-596,164.67 El. 2314.172 ft.

11-C-8 TT 1934; Harper Co., 6.0 mi.S.& 0.5 mi.W.of Laverne; approx.

- 0.5 mi. W. of jct. OK. Hwy. #35 & US. Hwy. #283; in sec. 28, T25N, R25W; about 1.0 ft. N. of S. R/W fence on OK. Hwy. #35. USC&GS & State Marker. C/L "Phillips 66" W.T. about 2.0 mi. in azimuth $195^{\circ}14'14''$; C/L chimney on house about 2 mi. in azimuth $90^{\circ}27'39''$; C/L chimney on house about 4 mi. in azimuth $324^{\circ}23'34''$.
- X-1,441,364.03 Y-595,938.44 El. 2310.333 ft.
 11-C-9 TT 1934; Harper Co., 5.5 mi. S. of Laverne; 100.0 ft. S. & 49.0 ft. E. of approx. $W\frac{1}{2}$ cor. sec. 22, T25N, R25W; on E. side of US. Hwy. #283; about 1.0 ft. W. of E. R/W fence. USC&GS & State Marker. C/L "Phillips 66" W.T. about 1 mi. in azimuth $179^{\circ}24'05''$; C/L chimney on house about 6 mi. in azimuth $226^{\circ}44'15''$; C/L chimney on house about 1.5 mi. in azimuth $309^{\circ}15'05''$.
- X-1,445,231.75 Y-598,730.04 El. 2277.815 ft.
 11-C-10 TT 1934; Harper Co., 4.3 mi. S. of Laverne, via US. Hwy. #283; 344.0 ft. N. & 49.0 ft. W. of approx. $E\frac{1}{2}$ cor. sec. 16, T25N, R25W; about 1.5 ft. E. of W. R/W fence. USC&GS & State Marker.
- X-1,445,208.39 Y-604,226.41 El. 2177.975 ft.
 11-C-11 TT 1934; Harper Co., 3.08 mi. S. of Laverne; 427.0 ft. S. & 49.0 ft. E. of approx. NW. cor. sec. 10, T25N, R25W; on E. side US. Hwy. #283; about 1.0 ft. W. of E. R/W fence. USC&GS & State Marker. C/L "Phillips 66" W.T. about 0.4 mi. in azimuth $11^{\circ}20'55''$; C/L chimney on house about 5 mi. in azimuth $49^{\circ}08'55''$; C/L chimney on house about 3.5 mi. in azimuth $343^{\circ}24'35''$.
- X-1,445,464.18 Y-611,452.62 El. 2244.968 ft.
 Wells Tri. Sta., (Harper Co., C.I.A. 1935) About 3.0 mi. S. of Laverne; in approx. NW. cor. NW. sec. 10, T25N, R25W; 0.3 mi. N. of Phillips pipe line pumping station on a slight rise or hump to E. side of road in cultivated field. Reached from Laverne RR depot at E. side of town by going S. for 3.1 mi. to top of small ridge & station. Station is 356.0 ft. S. of S. R/W fence line of E-W road; 265.0 ft. E. of E. R/W fence line of N-S road. Mark is set about 14 in. below surface of ground. Station, underground, reference, & azimuth marks are bronze tablets set in conc. as described in notes 1b, 7a, & 11a.
- X-1,445,730.69 Y-611,487.44
 R.M. #1 is 91.839 m. (301.32 ft.) W. SW. of sta., 30.0 ft. E. of C/L of N-S road on E. R/W fence line in azimuth $63^{\circ}30'15''$; Mark projects 4 in. above surface of ground.
 R.M. #2 is 83.265 m. (273.15 ft.) W. NW. of station, 30.0 ft. E. of C/L N-S road & 2.0 ft. W. of E. R/W fence line in azimuth $104^{\circ}14'14''$. Mark projects about 8 in. above surface of ground.
 Azimuth mark is approx. 2.0 mi. directly S. of station just N. of a cut in hwy., 52.0 ft. E. of C/L N-S road leading to station, on R/W fence line in azimuth $02^{\circ}33'37''$.
 Mark projects about 8 in. above surface of ground.
 C/L Phillips pipe line Co. W.T. finial in Laverne in azimuth $19^{\circ}06'13''$.
 C/L USC&GS & State Marker TT 11-C-11 (81.932 m.) in azimuth $82^{\circ}33'18''$.
 C/L finial on Laverne Municipal W.T. in azimuth $179^{\circ}16'58''$.
- 11-C-11-X TT 1936; Harper Co., 2.3 mi. S. of Laverne, via US. Hwy. #283; 1661.0 ft. S. & 8.0 ft. W. of approx. NE. cor. sec. 4, T25N, R25W; in W. shoulder of hwy., 18 in. below grade; 35.0 ft. E. of W. R/W fence & 39.0 ft. W. of E. R/W fence; 39.5 ft. W. of reference hub (1 in. scrap iron set in conc.) in E. R/W fence. OSCC Marker.
- X-1,445,541.63 Y-615,529.88
 11-C-12 TT 1934; Harper Co., 1.6 mi. S. of Laverne, via US. Hwy. #283; 190.0 ft. S. & 52.5 ft. E. of approx. $W\frac{1}{2}$ cor. sec. 34, T24N, R25W; 2.4 ft. E. of E. R/W fence on small sand-clay ridge. USC&GS & State Marker. C/L chimney on Statler's house about 0.75 mi. in azimuth $115^{\circ}24'10''$; C/L Laverne W.T. in azimuth $179^{\circ}04'30''$; C/L N. chimney on Delhotel house about 0.75 mi. in azimuth $336^{\circ}53'00''$.
- X-1,445,705.94 Y-619,539.83 El. 2125.094 ft.
 11-C-13 TT 1934; Harper Co., in S. edge of Laverne, in sec. 28, T26N,

R25W; on W.side US.Hwy.#283; 40.0 ft.S.of C/L T-road W. & 1500.0 ft.S. of sec.line which is Main St.of Laverne; about 0.5 ft.E.of W.R/W fence. USC&GS & State Marker. C/L chimney on rock house about 0.2 mi.in azimuth $99^{\circ}41'21''$; C/L Laverne W.T.about 0.4 mi.in azimuth $173^{\circ}04'21''$; C/L chimney on house about 0.3 mi.in azimuth $214^{\circ}09'01''$.

X-1,445,737.74 Y-626,235.27 El. 2103.784 ft.

11-C-14 TT 1934; Harper Co., 743.0 ft.N.of MKT RR Depot in Laverne; in sec.22,T26N,R26W; 843.0 ft.N.of Main St., on E.side of sec.line road. 10.0 ft.N.of gate post, about 1.0 ft.W.of fence line. USC&GS & State Marker. C/L "Phillips 66" W.T.in azimuth $02^{\circ}09'51''$; C/L Laverne W.T. in azimuth $27^{\circ}08'41''$; C/L E.chimney on house about 0.25 mi.in azimuth $175^{\circ}36'21''$.

X-1,445,832.21 Y-628,576.57 El. 2103.916 ft.

11-C-15 TT 1934; Harper Co., 0.5 mi.N.of Laverne; 315.0 ft.N.& 49.0 ft.W.of approx.SE.cor.sec.16,T26N,R25W; about 1.0 ft.E.of W.R/W fence on US.Hwy.#283. USC&GS & State Marker. C/L Laverne W.T.about 1 mi.in azimuth $03^{\circ}20'33''$; C/L chimney on house about 0.75 mi.in azimuth $163^{\circ}03'33''$; C/L chimney on house in azimuth $351^{\circ}45'33''$.

X-1,445,839.88 Y-633,344.76 El. 2108.124 ft.

11-C-16 TT 1934; Harper Co., 2.0 mi.N.of Laverne; in sec.10,T26N, R25W; 450.0 ft.S.of Beaver River Bridge; about 1.0 ft.W.of E.R/W fence on US.Hwy.#283. USC&GS & State Marker. C/L Laverne W.T.about 2.5 mi.in azimuth $02^{\circ}18'28''$; C/L chimney on house about 1 mi.in azimuth $24^{\circ}33'08''$; C/L chimney on house about 0.75 mi.in azimuth $249^{\circ}10'48''$.

X-1,446,085.68 Y-641,840.80 El. 2107.018 ft.

11-C-17 TT 1934; Harper Co., 4.0 mi.N.of Laverne; 2300.0 ft.S.of T-road E.of approx.NW.cor.sec.34,T27N,R25W; about 2.5 ft.W.of E.R/W fence on US.Hwy.#283. USC&GS & State Marker. C/L chimney on house about 2 mi.in azimuth $182^{\circ}48'06''$; C/L Laverne W.T.about 4 mi.in azimuth $01^{\circ}52'06''$; C/L chimney on house about 2 mi.in azimuth $07^{\circ}52'06''$.

X-1,446,311.08 Y-652,056.61 El. 2152.315 ft.

11-C-18 TT 1934; Harper Co., 5.37 mi.N.of Laverne; 710.0 ft.S.& 47.0 ft.E.of approx.NW.cor.sec.27,T27N,R25W; about 1.5 ft.W.of E.R/W fence on US.Hwy.#283. USC&GS & State Marker. C/L Laverne W.T.in azimuth $01^{\circ}54'46''$; C/L Gate W.T.about 8 mi.in azimuth $112^{\circ}55'56''$; C/L chimney on house about 5 mi.in azimuth $184^{\circ}45'26''$.

X-1,446,559.60 Y-658,922.12 El. 2156.663 ft.

11-C-19 TT 1934; Harper Co., 6.33 mi.N.of Laverne; 883.0 ft.S. & 45.0 ft.W.of approx.NE.cor.sec.21,T27N,R25W; 883.0 ft.S.of jct.US.Hwy's.#283 & 64. about 4.0 ft.E.of W.R/W fence on US.Hwy.#283. USC&GS & State Marker. C/L Laverne W.T.about 7 mi.in azimuth $01^{\circ}36'48''$; C/L Gate W.T. about 9 mi.in azimuth $107^{\circ}33'18''$; C/L S.gable on church about 3 mi. in azimuth $246^{\circ}46'28''$.

X-1,446,546.59 Y-664,151.25 El. 2167.983 ft.

11-C-20 TT 1934; Harper Co., 13.75 mi.W.of Buffalo; 1413.0 ft.W.& 48.0 ft.N.of approx.SE.cor.sec.15,T27N,R25W; about 2 ft.S.of N.R/W fence on US.Hwy.#64. USC&GS & State Marker. C/L Gate W.T.about 9 mi.in azimuth $105^{\circ}30'54''$; C/L S.gable of house about 1.5 mi.in azimuth $241^{\circ}05'14''$; C/L chimney on house about 3 mi.in azimuth $280^{\circ}39'14''$.

X-1,450,447.89 Y-664,966.88 El. 2171.928 ft.

11-C-20-A TT 1934; Harper Co., 1.0 mi.S.& 13.0 mi.W.of Buffalo; station is a cross cut on N.hdw.of conc.culvert on US.Hwy.#64; about 0.5 mi.W.of 11-C-21; 110.0 ft.E.of W.A.Sickle farm.

El. 2150.859 ft.

11-C-21 TT 1934; Harper Co., 12.6 mi.W.of Buffalo; 580.0 ft.W.& 48.0 ft.S.of approx.NE.cor.sec.23,T27N,R25W; about 1.0 ft.N.of S.R/W fence on US.Hwy.#64. USC&GS & State Marker. C/L Gate W.T.about 11 mi.in azimuth $104^{\circ}10'33''$; C/L S.gable of house about 1 mi.in azimuth $192^{\circ}07'23''$; C/L chimney on house about 0.75 mi.in azimuth $289^{\circ}19'08''$.

X-1,456,553.40 Y-664,747.51 El. 2171.436 ft.

11-C-21-A TT 1934; Harper Co., 1.0 mi.S.& 10.5 mi.W.of Buffalo; in

- approx. SE. cor. sec. 13, T27N, R24W; 40.0 ft. N. of C/L US. Hwy. #64. Chisel mark on conc. culvert. El. 2057.932 ft.
- 11-C-22 TT 1934; Harper Co., 10.62 mi. W. of Buffalo; 1850.0 ft. W. & 49.0 ft. N. of approx. SE. cor. sec. 18, T27N, R24W; about 0.5 ft. S. of N.R/W fence on US. Hwy. #64. USC&GS & State Marker. C/L chimney on house about 0.5 mi. in azimuth $62^{\circ}26'16''$; C/L chimney on house about 1 mi. in azimuth $220^{\circ}27'11''$.
- X-1, 465, 980.44 Y-664, 681.19 El. 2159.487 ft.
- 11-C-22-B TT 1934; Harper Co., 250.0 ft. E. of approx. N $\frac{1}{2}$ cor. sec. 20, T27N, R24W; S. edge of road bed on US. Hwy. #64; 15.0 ft. S. of C/L of road.
- X-1, 470, 764.71 Y-664, 539.70
- 11-C-23 TT 1934; Harper Co., 9.0 mi. W. of Buffalo; 2568.0 ft. E. & 49.0 ft. N. of approx. SW. cor. sec. 16, T27N, R24W; about 1.0 ft. S. of N.R/W fence on US. Hwy. #64. USC&GS & State Marker. C/L N. chimney on house about 0.4 mi. in azimuth $06^{\circ}06'50''$; C/L belfry on Doby Springs School house about 1 mi. in azimuth $231^{\circ}54'00''$; C/L Buffalo W.T. in azimuth $259^{\circ}32'40''$.
- X-1, 475, 708.33 Y-664, 564.01 El. 2074.425 ft.
- 11-C-23-A TT 1934; Harper Co., 1.0 mi. S. & 8.0 mi. W. of Buffalo; 2112.0 ft. E. of 11-C-23; near approx. NE. sec. 21, T27N, R24W; chisel mark on conc. culvert about 40.0 ft. from C/L US. Hwy. #64. El. 2048.372 ft.
- 11-C-24 TT 1934; Harper Co., 7.75 mi. W. of Buffalo; 1249.0 ft. W. & 48.0 ft. S. of approx. NE. cor. sec. 22, T27N, R24W; about 2.0 ft. N. of S. R/W fence on US. Hwy. #64. USC&GS & State Marker. C/L belfry on schoolhouse about 0.75 mi. in azimuth $175^{\circ}13'40''$; C/L Buffalo W.T. about 8 mi. in azimuth $257^{\circ}32'05''$; C/L N. chimney on house about 1 mi. in azimuth $343^{\circ}12'00''$.
- X-1, 482, 339.18 Y-664, 347.41 El. 2040.646 ft.
- 11-C-24-A TT 1934; Harper Co., 1.0 mi. S. & 7.75 mi. W. of Buffalo; chisel mark on NW. wingwall of conc. bridge over Buffalo Creek on US. Hwy. #64. El. 1933.310 ft.
- 11-C-25 TT 1934; Harper Co., 5.75 mi. W. of Buffalo; 1261.0 ft. W. & 48.0 ft. S. of approx. NE. cor. sec. 24, T27N, R24W; 76.0 ft. E. of cross fence S., about 2.0 ft. N. of S. R/W fence on US. Hwy. #64. USC&GS & State Marker. C/L N. chimney on house about 2 mi. in azimuth $36^{\circ}15'23''$; C/L belfry on Rush Springs School about 1.5 mi. in azimuth $122^{\circ}29'23''$; C/L Buffalo W.T. about 8 mi. in azimuth $252^{\circ}53'38''$.
- X-1, 492, 955.42 Y-664, 180.74 El. 2017.614 ft.
- 11-C-26 TT 1934; Harper Co., 3.75 mi. W. of Buffalo; in sec. 17, T27N, R23W; 1217.0 ft. N. of curve in US. Hwy. #64; on 1st high knoll; 2.5 ft. E. of W. R/W fence; 7.0 ft. W. of cross fence. USC&GS & State Marker. C/L chimney on house about 0.2 mi. in azimuth $175^{\circ}58'21''$; C/L Buffalo W.T. in azimuth $245^{\circ}52'06''$.
- X-1, 503, 708.85 Y-664, 936.56 El. 1937.342 ft.
- 11-C-26-A TT 1934; Harper Co., 1.0 mi. S. & 3.0 mi. W. of Buffalo; 0.6 mi. from 11-C-26; chisel mark on NW. wingwall of conc. bridge over dry Buffalo Creek on US. Hwy. #64. El. 1848.725 ft.
- 11-C-27 TT 1934; Harper Co., 2.75 mi. W. of Buffalo; in sec. 16, T27N, R23W; 1829.0 ft. SW. of N-S road & 1301.0 ft. N. of 1st curve past bridge over dry Buffalo Creek; about 1.5 ft. W. of E. R/W fence on US. Hwy. #64. USC &GS & State Marker. C/L chimney on house about 1 mi. in azimuth $76^{\circ}13'42''$; C/L chimney on house about 0.7 mi. in azimuth $241^{\circ}38'32''$.
- X-1, 508, 665.42 Y-667, 684.69 El. 1871.020 ft.
- 11-C-28 TT 1934; Harper Co., 2.0 mi. W. of Buffalo; in sec. 10, T27N, R23W; about 2.0 ft. S. of N.R/W fence on US. Hwy. #64; 96.9 ft. E. of cross fence N. USC&GS & State Marker. C/L Buffalo W.T. about 2 mi. in azimuth $247^{\circ}55'08''$; C/L N. chimney on house about 2 mi. in azimuth $324^{\circ}11'08''$; C/L chimney on house about 2 mi. in azimuth $94^{\circ}55'23''$.
- X-1, 512, 657.69 Y-669, 338.30 El. 1879.189 ft.
- 11-C-29 TT 1934; Harper Co., 1.0 mi. W. of Buffalo; in sec. 14, T27N, R23W; about 1.5 ft. N. of S. R/W fence on US. Hwy. #64; 100.0 ft. W. of E. side of Gordon Luer's house & 21.0 ft. W. of fence cor. on W. side of house. USC &GS & State Marker. C/L chimney on house about 1 mi. in azimuth $93^{\circ}02'48''$;

- C/L Buffalo W.T. about 1 mi. in azimuth $231^{\circ}58'08''$; C/L chimney on house about 1.75 mi. in azimuth $342^{\circ}55'18''$.
- X-1,516,873.73 Y-669,140.64 El. 1858.326 ft.
 11-C-30 TT 1934; Harper Co., 0.5 mi. S. of Buffalo; in sec. 13, T27N, R23W; 48.8 ft. E. of C/L OK. Hwy. #34; 190.0 ft. S. of C/L E-W road; about 1.3 ft. W. of E.R/W fence. USC&GS & State Marker.
- X-1,523,010.31 Y-668,903.57 El. 1814.399 ft.
 11-C-30-A TT 1934; Harper Co., 0.3 mi. S. of Buffalo; chisel mark on NW. wingwall of first conc. bridge S. of Buffalo on OK. Hwy. #34.
 El. 1801.296 ft.
- 11-C-31 TT 1934; Harper Co., approx. 320.0 ft. N. of C/L E-W St. in Buffalo; in sec. 1, T27N, R23W; on W. side US. Hwy. #64; about 15.0 ft. E. of fence. USC&GS & State Marker. C/L E. side C.H. chimney in azimuth $351^{\circ}43'38''$; C/L Buffalo W.T. in azimuth $32^{\circ}56'32''$; C/L E. edge OK. Hwy. bldg. chimney in azimuth $168^{\circ}34'14''$.
- X-1,522,989.58 Y-674,719.59 El. 1811.172 ft.
 11-C-31-A TT 1934; Harper Co., A chisel mark on SW. wingwall of conc. bridge NE. of Buffalo, across dry Buffalo creek on US. Hwy. #64; 0.6 mi. E. of 11-C-31.
 El. 1776.583 ft.
- 11-C-32 TT 1934; Harper Co., 1.0 mi. N. & 1.0 mi. E. of Buffalo; 0.6 mi. E. of approx. SW. cor. sec. 6, T27N, R22W; sta. is "Y" formed by US. Hwy. #64 & sec. line road. USC&GS & State Marker.
- X-1,529,454.42 Y-679,483.78 El. 1800.226 ft.
 11-C-32-A TT 1934; Harper Co., 1.0 mi. N. & 1.6 mi. E. of Buffalo; 0.6 mi. E. of 11-C-32; is a chisel mark on N. hdw. of conc. culvert.
 El. 1781.749 ft.
- 11-C-33 TT 1934; Harper Co., 1.0 mi. N. & 2.1 mi. E. of Buffalo; 2040.0 ft. W. & 48.0 ft. N. of approx. SE. cor. sec. 32, T28N, R22W; about 2.0 ft. S. of N. R/W fence on US. Hwy. #64; due N. of W. edge of farmhouse on opposite side of hwy. USC&GS & State Marker. C/L Buffalo W.T. in azimuth $63^{\circ}16'33''$; C/L S. gable on house in azimuth $223^{\circ}53'33''$; C/L chimney on brick school in azimuth $304^{\circ}41'53''$.
- X-1,534,523.63 Y-679,436.29 El. 1817.193 ft.
 11-C-33-A TT 1934; Harper Co., 1.0 mi. N. & 3.0 mi. E. of Buffalo; 0.95 mi. E. of 11-C-33. Chisel mark on conc. culvert 20.0 ft. S. of C/L US. Hwy. #64.
 El. 1767.849 ft.
- 11-C-34 TT 1934; Harper Co., 1.0 mi. N. & 3.4 mi. E. of Buffalo; 3206.0 ft. W. & 49.0 ft. N. of approx. SE. cor. sec. 34, T28N, R22W; about 0.5 ft. S. of N. R/W fence on US. Hwy. #64. USC&GS & State Marker. C/L Buffalo W.T. about 5 mi. in azimuth $74^{\circ}15'25''$; C/L S. gable on house about 1 mi. in azimuth $143^{\circ}32'25''$; C/L chimney on Selman school about 3 mi. in azimuth $315^{\circ}15'10''$.
- X-1,543,880.08 Y-679,286.16 El. 1776.348 ft.
 11-C-35 TT 1934; Harper Co., 1.0 mi. N. & 4.5 mi. E. of Buffalo; 0.55 mi. E. of approx. SW. cor. sec. 35, T28N, R22W; about 2.0 ft. S. of N. R/W fence on US. Hwy. #64; approx. 250.0 ft. W. of W. side of house on opposite side of hwy. USC&GS & State Marker. C/L Buffalo W.T. about 6 mi. in azimuth $77^{\circ}44'37''$; C/L S. gable of house about 2 mi. in azimuth $118^{\circ}49'12''$; C/L chimney on house about 3 mi. in azimuth $243^{\circ}37'32''$.
- X-1,550,047.07 Y-679,207.47 El. 1794.198 ft.
 11-C-35-A TT 1934; Harper Co., 1.0 mi. N. & 5.0 mi. E. of Buffalo; 0.5 mi. E. of 11-C-35; Chisel mark on NW. wingwall of conc. bridge on US. Hwy. #64.
 El. 1747.715 ft.
- 11-C-36 TT 1934; Harper Co., 1.0 mi. N. & 6.0 mi. E. of Buffalo; 0.7 mi. E. & 48.0 ft. S. of approx. NW. cor. sec. 1, T27N, R22W; 1.5 ft. N. of S. R/W fence on US. Hwy. #64. USC&GS & State Marker. C/L N. end gable Monitor Roof on E. elevator at Selman about 3 mi. in azimuth $335^{\circ}23'01''$; C/L Buffalo W. T. about 7 mi. in azimuth $80^{\circ}05'18''$.
- X-1,555,887.37 Y-679,032.73 El. 1799.711 ft.
 11-C-37 TT 1934; Harper Co., 1.0 mi. N. & 7.0 mi. E. of Buffalo; 0.15 mi. E. & 48.0 ft. N. of approx. SW. cor. sec. 32, T28N, R21W; 1.5 ft. S. of N. R/W fence on US. Hwy. #64. USC&GS & State Marker. C/L Buffalo W.T. about 8 mi.

in azimuth $81^{\circ}58'46''$; C/L chimney on tin roofed house about 0.5 mi. in azimuth $276^{\circ}16'41''$.

X-1,563,971.86 Y-679,022.72 El. 1806.418 ft.

11-C-37-A TT 1934; Harper Co., 1.0 mi. N. & 7.3 mi. E. of Buffalo; 0.3 mi. E. of 11-C-37. Chisel mark on S. hdw. of conc. culvert on US Hwy. #64.

El. 1752.513 ft.

11-C-38 TT 1934; Harper Co., 1.0 mi. N. & 9.0 mi. E. of Buffalo; 0.4 mi. W. & 43.0 ft. N. of approx. SE. cor. sec. 33, T28N, R21W; 43.0 ft. N. of C/L of US Hwy. #64. USC&GS & State Marker. C/L Buffalo W.T. in azimuth $83^{\circ}22'43''$; C/L chimney on double hip roofed house about 1 mi. in azimuth $257^{\circ}32'43''$;

X-1,571,667.82 Y-678,870.37 El. 1822.208 ft.

11-C-38-A TT 1934; Harper Co., 1.0 mi. N. & 9.7 mi. E. of Buffalo; 0.7 mi. E. of 11-C-38; Chisel mark on N. hdw. of conc. culvert on US Hwy. #64.

El. 1789.288 ft.

11-C-39 TT 1934; Harper Co., 1.0 mi. N. & 10.0 mi. E. of Buffalo; approx. 44.0 ft. N. & 52.0 ft. E. of approx. SW. cor. sec. 35, T28N, R21W; on N. side US Hwy. #64. USC&GS & State Marker. C/L N. end ridge on monitor, Selman Elevator about 3.5 mi. in azimuth $38^{\circ}35'24''$; C/L chimney on hip roof house about 0.25 mi. in azimuth $172^{\circ}22'24''$.

X-1,579,113.48 Y-678,752.02 El. 1841.145 ft.

11-C-40 TT 1934; Harper Co., 1.0 mi. N. & 11.0 mi. E. of Buffalo; 0.1 mi. E. & 47.0 ft. N. of approx. SW. cor. sec. 36, T28N, R21W; 3.0 ft. S. of N.R/W fence on US Hwy. #64. USC&GS & State Marker. C/L chimney on house about 1.0 mi. in azimuth $105^{\circ}47'12''$.

X-1,585,272.44 Y-678,657.01 El. 1816.773 ft.

Lovedale Tri. Sta., (Harper Co., C.I.A. 1935) Approx. 3.0 mi. N. & 1.0 mi. W. of Lovedale Store & RR station; 5.0 mi. E. & 0.75 mi. N. of Selman; in approx. SW. cor. SW. sec. 18, T27N, R20W; on highest point of high grassy hill just E. of an old road. Reached from Lovedale RR sta. & store by going N. on graded dirt road 2.1 mi. to T-fork, then turn left & go W. 0.65 mi., then right (N.) 0.3 mi., then left (W.) 0.35 mi. Leave graded dirt road there & turn right through a wire gate & follow an unimproved road NE. up hill for 0.6 mi. to cross fence at sec. cor., go through two gates and go N., follow old road along E. side of fence about 0.05 mi. to top of hill & station. Station is about 285.0 ft. N. of sec. cor., 44.0 ft. E. of N-S fence line, 16.0 ft. E. of C/L of old road. Mark projects about 6 in. above surface of ground. Station, underground, reference, & azimuth marks are bronze tablets set in conc. as described in notes 1a, 7a, & 11a.

X-1,589,429.76 Y-662,989.93

R.M. #1 is 22.650 m. (74.32 ft.) SW. of sta. on N-S fence line in azimuth $36^{\circ}25'26''$; Mark projects 6 in. above surface of ground.

R.M. #2 is 20.258 m. (66.47 ft.) NW. of sta. on N-S fence line in azimuth $140^{\circ}36'20''$.

Mark projects about 3 in. above surface of ground.

Azimuth mark is on top of hill approx. 0.4 mi. N. of sta. on N-S fence line in azimuth $179^{\circ}39'58''$; Mark projects about 3 in. above surface of ground.

11-C-40-A TT 1934; Harper Co., 1.0 mi. N. & 11.7 mi. E. of Buffalo; 0.6 mi. W. of 11-C-41. Chisel mark on N. hdw. of conc. culvert on US Hwy. #64.

El. 1709.149 ft.

11-C-41 TT 1934; Harper Co., 1.0 mi. N. & 12.25 mi. E. of Buffalo; 0.3 mi. E. & 50.0 ft. N. of approx. SW. cor. sec. 31, T28N, R20W; about 50.0 ft. N. of C/L US Hwy. #64. USC&GS & State Marker. C/L S. chimney on house about 1.5 mi. in azimuth $46^{\circ}08'15''$; C/L SW. cor. stucco house about 2 mi. in azimuth $129^{\circ}56'00''$.

X-1,593,945.71 Y-678,524.10 El. 1738.323 ft.

11-C-42 TT 1934; Harper Co., 1.0 mi. N. & 13.5 mi. E. of Buffalo; in sec. 32, T28N, R20W; 49.0 ft. N. of C/L US Hwy. #64; 1.0 ft. S. of N.R/W fence; 16.6 ft. E. of W. gate post. USC&GS & State Marker. C/L SW. cor. stucco house about 3.0 mi. in azimuth $122^{\circ}35'41''$.

X-1,596,986.89 Y-678,473.57 El. 1759.428 ft.

11-C-43 TT 1934; Harper Co., 1.0 mi. N. & 14.75 mi. E. of Buffalo; 0.29

mi.W.& 97.0 ft.N.of approx.SE.cor.sec.33,T28N,R20W; 97.0 ft.N.of C/L US.Hwy.#64; 47.0 ft.N.of N.R/W fence; 228.0 ft.W.of W.edge of house on S.side of hwy. USC&GS & State Marker. C/L W.edge of chimney on house about 0.07 mi.in azimuth $311^{\circ}54'01''$.

X-1,603,780.64 Y-678,434.98 El. 1781.783 ft.

11-C-44 TT 1934; Harper Co., 1.0 mi.N.& 15.5 mi.E.of Buffalo; in sec.3,T27N,R20W; 46.0 ft.S.of C/L US.Hwy.#64 on first knoll W.of curve in hwy. USC&GS & State Marker.

X-1,609,299.37 Y-678,245.29 El. 1720.902 ft.

8-C-64-A TT 1934; Junction Station. See Traverse 8-C.

Traverse 11-D; Kingfisher & Blaine Co's.

15-A-24 TT 1934 to 14-C-32 TT 1934

North Projection

15-A-24 TT 1934; Junction Station. See Traverse 15-A.

11-D-25 TT 1938; Kingfisher Co., 6.0 mi.N.& 1.5 mi.W.of Kingfisher; 216.0 ft.E.& 3.0 ft.N.of approx.W $\frac{1}{2}$ cor.sec.16,T17N,R7W; 187.0 ft.E.of E. R/W fence; 2.0 ft.N.of cross fence. OSCC Marker. C/L chimney on 1 story Dutch-roof house about 0.11 mi.in azimuth $112^{\circ}48'44''$; C/L chimney on large $1\frac{1}{2}$ story twin gable house about 0.87 mi.in azimuth $239^{\circ}39'14''$; C/L W.chimney on 2 story L-shaped house about 0.5 mi.in azimuth $353^{\circ}34'19''$.

X-2,011,793.68 Y-345,624.56 El. 1113.831 ft.

EM; Kingfisher Co., Top edge of E.hdw.of conc.culvert about 0.25 mi.S.of Cimarron River bridge; near approx.NE.cor.sec.9,T17N,R7W;

El. 1037.255 ft.

11-D-26 TT 1938; Kingfisher Co., 7.5 mi.N.& 1.75 mi.W.of Kingfisher; 1107.2 ft.W.& 37.0 ft.N.of approx.SE.cor.sec.5,T17N,R7W; 3.0 ft.N.of N. R/W fence; 4.0 ft.NE.of brace post, diagonal cross fence on brow of Cimarron River Valley. OSCC Marker. C/L N.gable on barn about 1.0 mi.in azimuth $61^{\circ}25'24''$; C/L chimney on 1 story Dutch-roof house about 0.37 mi.in azimuth $114^{\circ}55'57''$; C/L E.guard rail post on S.end of Cimarron River bridge in azimuth $218^{\circ}02'41''$.

X-2,010,506.84 Y-353,609.85 El. 1071.502 ft.

11-C-27 TT 1938; Kingfisher Co., 7.5 mi.N.& 2.5 mi.W.of Kingfisher; 39.0 ft.N.& 3.0 ft.E.of approx.SW.cor.sec.5,T17N,R7W; 4.0 ft.N.& 3.0 ft. E.of cor.post to N.R/W fence. OSCC Marker. C/L chimney on large 2 story 4-gabled house about 1.25 mi.in azimuth $34^{\circ}07'14''$; C/L chimney on 1 story Dutch-roof house about 0.5 mi.in azimuth $252^{\circ}40'46''$; C/L W.chimney on 1 story T-shaped house about 3 mi.in azimuth $316^{\circ}27'19''$.

X-2,006,207.59 Y-353,590.97 El. 1062.977 ft.

11-D-28 TT 1938; Kingfisher Co., 7.8 mi.N.& 3.5 mi.W.of Kingfisher; 28.0 ft.E.& 843.0 ft.S.of approx.W $\frac{1}{2}$ cor.sec.6,T17N,R7W; 2.0 ft.W.of E. R/W fence, in range of cross fence E. OSCC Marker. C/L chimney on 1 story house about 1.25 mi.in azimuth $29^{\circ}51'56''$; C/L W.chimney on farmhouse about 0.75 mi.in azimuth $67^{\circ}07'09''$; C/L chimney on T-shaped house about 0.5 mi.in azimuth $356^{\circ}31'46''$.

X-2,001,078.98 Y-355,291.62 El. 1052.535 ft.

11-D-29 TT 1938; Kingfisher Co., 8.5 mi.N.& 3.5 mi.W.of Kingfisher; 326.0 ft.S.& 149.0 ft.E.of approx.NW.cor.sec.6,T17N,R7W; 121.0 ft.E.of E.R/W fence on top of sand knoll brow of Cimarron River Valley. OSCC Marker. C/L W.chimney on 1 story T-shaped house about 0.37 mi.in azimuth $16^{\circ}11'17''$; C/L chimney on 1 story Dutch-roof house about 2 mi.in azimuth $298^{\circ}33'04''$.

X-2,001,184.89 Y-358,546.69 El. 1061.429 ft.

11-D-30 TT 1938; Kingfisher Co., 8.5 mi.N.& 4.4 mi.W.of Kingfisher; 866.0 ft.E.& 24.0 ft.N.of approx.SW.cor.sec.36,T18N,R8W; 2.0 ft.S.of N. R/W fence. OSCC Marker. C/L belfry spire on schoolhouse about 1 mi.in azimuth $09^{\circ}16'38''$; C/L N.gable on 2 story T-shaped house about 2.5 mi.in

- azimuth $72^{\circ}26'13''$; C/L S.chimney on 1 story house on horizon about 1.75 mi.in azimuth $138^{\circ}09'33''$.
 X-1,996,634.63 Y-358,889.13 El. 1098.694 ft.
 EM; Kingfisher Co., X chiseled on N.hdw.of conc.culvert in SW.cor. sec.36,T18N,R8W. El. 1074.289 ft.
- 11-D-31 TT 1938; Kingfisher Co., 8.5 mi.N.& 4.8 mi.W.of Kingfisher; near approx.SE.cor.SW.SE.sec.35,T18N,R8W; 27.0 ft.N.of C/L Twp.road; 2.0 ft.S.of N.R/W fence; 1368.0 ft.E.of cross fence N. OSCC Marker. C/L chimney on cottage about 5 mi.in azimuth $64^{\circ}18'04''$; C/L S.gable on 2 story T-shaped house about 1.75 mi.in azimuth $110^{\circ}42'36''$; C/L chimney on $1\frac{1}{2}$ story T-shaped house about 2.0 mi.in azimuth $306^{\circ}13'26''$.
 X-1,994,497.12 Y-358,875.69 El. 1091.845 ft.
- 11-D-32 TT 1938; Kingfisher Co., 8.5 mi.N.& 5.5 mi.W.of Kingfisher; 190.0 ft.E.& 27.0 ft.S.of approx.NW.cor.sec.2,T17N,R8W; 2.0 ft.N.of S. R/W fence. OSCC Marker. C/L N.gable on 2 story T-shaped house about 1.5 mi.in azimuth $64^{\circ}05'31''$; C/L S.gable on 2 story T-shaped house about 1.25 mi.in azimuth $123^{\circ}55'43''$; C/L belfry spire on schoolhouse about 1.37 mi.in azimuth $317^{\circ}12'21''$.
 X-1,990,685.66 Y-358,795.75 El. 1085.585 ft.
- 11-D-33 TT 1938; Kingfisher Co., 8.5 mi.N.& 6.5 mi.W.of Kingfisher; 1.0 mi.N.& 4.0 mi.E.of Loyal; at approx.SE.cor.sec.4,T17N,R8W; 45.4 ft. SE.of R.E.A. pole; 33.5 ft.SE.of fence cor., 36.0 ft.SW.of fence cor., 41.0 ft.NW.of fence cor., 43.0 ft.NE.of fence cor. OSCC Marker buried 12 in.below surface. C/L N.chimney on large 2 story sq.top house about 0.25 mi.in azimuth $20^{\circ}30'30''$; C/L peak roof on sq.top house about 5 mi. in azimuth $38^{\circ}53'35''$; C/L chimney on large 2 story house about 0.75 mi. in azimuth $169^{\circ}51'35''$.
 X-1,985,206.78 Y-358,791.91 El. 1092.312 ft.
- 11-D-34 TT 1938; Kingfisher Co., 1.0 mi.N.& 3.5 mi.E.of Loyal; 34.0 ft.N.& 2.0 ft.E.of approx. $S\frac{1}{4}$ cor.sec.33,T18N,R8W; 4.0 ft.N. of N.R/W fence; 2.0 ft.E.of cross fence. OSCC Marker. C/L chimney on 2 story T shaped house about 1 mi.in azimuth $25^{\circ}29'50''$; C/L chimney on $1\frac{1}{2}$ story T-shaped house about 0.75 mi.in azimuth $220^{\circ}29'47''$; C/L N.chimney on 2 story sq.top house about 0.62 mi.in azimuth $296^{\circ}02'55''$.
 X-1,982,575.03 Y-358,801.30 El. 1110.052 ft.
- 11-D-35 TT 1938; Kingfisher Co., 1.0 mi.N.& 3.0 mi.E.of Loyal; 829.0 ft.N.& 30.0 ft.E.of approx.SW.cor.sec.33,T18N,R8W; 4.0 ft.E.of E. R/W fence; 2.0 ft.N.of R.E.A. pole. OSCC Marker. C/L chimney on bungalow about 0.62 mi.in azimuth $188^{\circ}09'40''$; C/L N.chimney on 2 story sq. top house about 1.25 mi.in azimuth $326^{\circ}54'40''$.
 X-1,979,950.33 Y-359,566.34 El. 1119.084 ft.
- 11-D-36 TT 1938; Kingfisher Co., 1.0 mi.N.& 1.0 mi.E.of Loyal; 120.0 ft.E.& 26.0 ft.N.of approx.SW.cor.sec.31,T18N,R8W; in range of E. side of farmhouse; 2.0 ft.S.of N.R/W fence. OSCC Marker. C/L spire on southernmost of 2 churches in Loyal about 1 mi.in azimuth $46^{\circ}15'31''$; C/L S.gable on grain elevator (privately owned) about 0.75 mi.in azimuth $182^{\circ}43'08''$; C/L chimney on sq.house with lean-to porch, about 1 mi.in azimuth $316^{\circ}08'36''$.
 X-1,969,700.00 Y-358,708.32 El. 1154.442 ft.
- 11-D-37 TT 1938; Kingfisher Co., 1.0 mi.N.& 0.6 mi.W.of Loyal; 400.0 ft.W.& 35.0 ft.S.of approx. $N\frac{1}{4}$ cor.sec.2,T17N,R9W; 2.5 ft.N.of S. R/W fence. OSCC Marker. C/L chimney on $1\frac{1}{2}$ story house about 0.11 mi.in azimuth $172^{\circ}38'59''$; C/L chimney on $1\frac{1}{2}$ story T-shaped house about 0.37 mi.in azimuth $275^{\circ}14'41''$.
 X-1,961,080.42 Y-358,662.84 El. 1146.647 ft.
- 11-D-38 TT 1938; Kingfisher Co., 1.0 mi.N.& 1.0 mi.W.of Loyal; 123.5 ft.S.& 21.5 ft.E.of approx.NW.cor.sec.2,T17N,R9W; 3.0 ft.W.of E. R/W fence. OSCC Marker. C/L chimney on $1\frac{1}{2}$ story T-shaped house about 1.25 mi.in azimuth $52^{\circ}34'01''$; C/L chimney on $1\frac{1}{2}$ story house about 0.25 mi.in azimuth $171^{\circ}49'29''$; C/L spire on southernmost of 2 churches in Loyal about 1.5 mi.in azimuth $300^{\circ}49'16''$.
 X-1,958,968.63 Y-358,564.70 El. 1137.893 ft.

- 11-D-39 TT 1938; Kingfisher Co., 1.0 mi.N.& 3.0 mi.W. of Loyal; 102.0 ft.W.& 26.0 ft.N.of approx.SE.cor.sec.32,T18N,R9W; 2.0 ft.S.of N. R/W fence. OSCC Marker. C/L chimney on church on horizon about 2 mi.in azimuth 117°41'40"; C/L chimney on 1½ story T-shaped house about 1.75 mi.in azimuth 237°15'40"; C/L chimney on 1½ story L-shaped house about 1 mi.in azimuth 335°46'05".
X-1,948,317.13 Y-358,752.45 El. 1159.099 ft.
- 11-D-40 TT 1938; Kingfisher Co., 1.0 mi.N.& 4.5 mi.W.of Loyal; 40.0 ft.S.& 2.0 ft.E.of approx.N½ cor.sec.6,T17N,R9W; 7.0 ft.S.of S.R/W fence; 2.0 ft.E.of cross fence. OSCC Marker. C/L top of pyramid roof on 1 story house about 4 mi.in azimuth 11°09'24"; C/L chimney on church about 1 mi. in azimuth 155°24'54"; C/L chimney on 1½ story L-shaped bungalow about 0.75 mi.in azimuth 232°31'54".
X-1,940,505.77 Y-358,721.76 El. 1186.333 ft.
- 11-D-41 TT 1938; Blaine Co., 1.2 mi.N.& 6.0 mi.W.of Loyal; 1233.0 ft.N.& 30.0 ft.W.of approx.SE.cor.sec.35,T18N,R10W; 1.0 ft.W.of W. R/W fence Twp.road; 5.0 ft.E.& 53.0 ft.N.of R.E.A. pole. OSCC Marker. C/L chimney on 1½ story four gable bungalow about 0.37 mi.in azimuth 14°33' 31"; C/L spire on schoolhouse belfry about 0.75 mi.in azimuth 148°55' 59"; C/L chimney on church about 1 mi.in azimuth 232°24'59".
X-1,932,636.88 Y-360,016.93 El. 1208.325 ft.
- 11-D-42 TT 1938; Blaine Co., 1.0 mi.N.& 7.5 mi.W.of Loyal; 30.0 ft. N.of approx.S½ cor.sec.34,T18N,R10W; in range of cross fence N-S; 2.0 ft.S.of N.R/W fence. OSCC Marker. C/L chimney on 1½ story house with lean-to kitchen, about 0.75 mi.in azimuth 140°46'23"; C/L belfry spire on schoolhouse about 1.75 mi.in azimuth 225°34'48"; C/L top of pyramid roof on 1 story house about 5 mi.in azimuth 321°53'06".
X-1,924,740.18 Y-358,867.63 El. 1216.132 ft.
- 11-D-43 TT 1938; Blaine Co., 1.0 mi.N.& 8.7 mi.W.of Loyal; 1.0 mi. N.& 3.75 mi.E.of Hitchcock; near approx.NW.cor.NE.NW.sec.4,T17N,R10W; 22.0 ft.S.of C/L Twp.road; 2.0 ft.N.of S.R/W fence in range of cross fence N., 130.0 ft.E.of E.gate post field entrance. OSCC Marker. C/L E. gable of cupola on small grain elevator about 4 mi.in azimuth 133°13' 23"; C/L chimney on 1½ story house with lean-to kitchen about 0.75 mi.in azimuth 223°43'56"; C/L top of pyramid roof on 1 story house in azimuth 310°32'46".
X-1,918,617.17 Y-358,815.54 El. 1237.620 ft.
- 11-D-44 TT 1938; Blaine Co., 1.0 mi.N.& 1.75 mi.E.of Hitchcock; near approx.SE.cor.SW.SW.sec.31,T18N,R10W; 150.0 ft.N.of C/L twp.road; 124.0 ft.N.of N.R/W fence on NW.brow of flat top butte. OSCC Marker. C/L top of pyramid roof on 1 story house about 2 mi.in azimuth 11°34'07"; C/L E.gable of cupola on wood elevator about 3 mi.in azimuth 157°39'37"; C/L chimney on 1½ story box-shaped house about 2.5 mi.in azimuth 237° 54'57".
X-1,907,463.48 Y-359,001.37 El. 1245.832 ft.
- 11-D-45 TT 1938; Blaine Co., 1.0 mi.N.of Hitchcock; in approx.SW. sec.35,T18N,R11W; 36.0 ft.N.of C/L twp.road; on CRI&P RR R/W; 70.0 ft. W.of C/L track; 3.0 ft.S.& 3.0 ft.E.of RR R/W fence cor. OSCC Marker. C/L chimney on Hitchcock schoolhouse boiler room, about 1 mi.in azimuth 16°22'00"; C/L chimney on 1 story sq.house about 1.62 mi.in azimuth 109° 49'40"; C/L chimney on 2 story house about 1.25 mi.in azimuth 222°39'25".
X-1,898,353.07 Y-358,906.82 El. 1258.670 ft.
- 11-D-46 TT 1938; Blaine Co., 1.0 mi.N.& 1.0 mi.W.of Hitchcock; 23.0 ft.S.& 28.0 ft.E.of approx.NW.cor.sec.3,T17N,R11W; 4.0 ft.N.& 4.0 ft.E. of R/W fence cor. OSCC Marker. C/L E.chimney on 1 story house about 0.25 mi.in azimuth 12°47'00"; C/L chimney on 1 story sq.house with lean-to kitchen about 0.5 mi.in azimuth 195°19'25"; C/L chimney on Hitchcock schoolhouse boiler room, about 1.75 mi.in azimuth 308°31'28".
X-1,890,586.83 Y-358,812.97 El. 1295.087 ft.
- 11-D-47 TT 1938; Blaine Co., 1.0 mi.N.& 1.2 mi.W.of Hitchcock; 60.0 ft.E.& 26.0 ft.S.of approx.N½ cor.sec.4,T17N,R11W; 2.5 ft.N.of S.R/W

fence twp.road on brow of Salt Creek Valley. OSCC Marker. C/L chimney on 1 story four gabled house about 0.5 mi.in azimuth $92^{\circ}10'01''$; C/L chimney on sq.house with lean-to kitchen about 0.62 mi.in azimuth $221^{\circ}17'53''$; C/L chimney on house about 0.37 mi.in azimuth $303^{\circ}16'11''$.

X-1,888,981.05 Y-358,798.03 El. 1293.565 ft.

11-D-48 TT 1938; Blaine Co., 2.0 mi.W.of Hitchcock; 1117.0 ft.W.& 12.0 ft.N.of approx.SE.cor.sec.5,T17N,R11W. OSCC Marker set in hwd. of 10 x 5 x 24 ft.masonry culvert with conc.coping. C/L windmill tower about 0.17 mi.in azimuth $63^{\circ}00'58''$; C/L center chimney on 1 story four gable house about 1 mi.in azimuth $190^{\circ}37'08''$; C/L chimney on shack about 0.75 mi.in azimuth $280^{\circ}17'50''$.

X-1,884,441.61 Y-353,610.17 El. 1263.544 ft.

11-D-49 TT 1938; Blaine Co., 3.25 mi.W.of Hitchcock; 321.0 ft.W.& 12.0 ft.S.of approx.NE.cor.sec.7,T17N,R11W. OSCC Marker set in W.end of S.hdw.of a 3 x 3 x 24 ft.masonry culvert with conc.coping. C/L chimney on house about 0.37 mi.in azimuth $76^{\circ}05'49''$; C/L W.gable on raised section in center of long sheep barn about 0.37 mi.in azimuth $346^{\circ}22'59''$.

X-1,879,743.25 Y-353,592.13 El. 1304.683 ft.

11-D-50 TT 1938; Blaine Co., 3.7 mi.W.of Hitchcock; 200.0 ft.E.& 35.0 ft.S.of approx.N $\frac{1}{2}$ cor.sec.7,T17N,R11W; 2.0 ft.N.of S.R/W fence. OSCC Marker. C/L chimney on 1 story house about 0.11 mi.in azimuth $304^{\circ}36'07''$.

X-1,877,631.17 Y-353,595.27 El. 1312.314 ft.

11-D-51 TT 1938; Blaine Co., 3.0 mi.W.of Hitchcock; near approx.NW.cor.SW.SW.sec.6,T17N,R11W; approx. 90.0 ft.S.of hillside stable; in range with S.front of farmhouse; approx. 150.0 ft.N.of C/L Co. road by hawsberry tree clump. OSCC Marker. C/L chimney on small house with shingled sides, about 0.06 mi.in azimuth $58^{\circ}19'29''$; C/L chimney on house about 0.05 mi.in azimuth $269^{\circ}09'42''$.

X-1,874,687.95 Y-354,356.77 El. 1354.976 ft.

11-D-52 TT 1938; Blaine Co., 4.5 mi.W.of Hitchcock; near approx.SE.cor.NE.NW.sec.12,T17N,R12W; approx. 37.5 ft.W.of C/L Co.road at sharp curve to S.at foot of "gyp hill" on S.brow of arroyo. N.point of flat "gyp hill" approx. 1000.0 ft.NE.of stone quarry. OSCC Marker projects 16 in.above ground in native stone cairn. C/L E.gable on old masonry semi-dugout with shingle roof (in side of hill) about 0.37 mi.in azimuth $45^{\circ}13'01''$; C/L S.chimney on 4 gable sq.house on horizon about 1 mi. in azimuth $163^{\circ}24'23''$; C/L chimney on 1 story house about 0.75 mi.in azimuth $231^{\circ}21'48''$.

X-1,872,280.92 Y-352,209.96 El. 1476.712 ft.

11-D-53 TT 1938; Blaine Co., 4.6 mi.W.& 0.5 mi.S.of Hitchcock; near center sec.12,T17N,R12W; approx. 200.0 yds.S.of stone quarry on top of grassy knoll; 1200.0 ft.SE.of angle post of S.R/W fence on winding Co. road. OSCC Marker. C/L E.gable on old masonry semi-dugout with shingle roof (in side of hill) about 0.5 mi.in azimuth $131^{\circ}36'48''$; C/L S.chimney on 1 $\frac{1}{2}$ story 4-gable sq.house on horizon about 1.75 mi.in azimuth $168^{\circ}18'08''$; C/L chimney on Hitchcock schoolhouse boiler room about 6 mi.in azimuth $261^{\circ}34'28''$.

X-1,872,213.93 Y-350,173.23 El. 1529.324 ft.

11-D-54 TT 1938; Blaine Co., 5.3 mi.W.& 0.8 mi.S.of Hitchcock; 950.0 ft.E.& 1000.0 ft.N.of approx.S $\frac{1}{2}$ cor.sec.11,T17N,R12W; at N.edge of cultivated field. OSCC Marker. C/L chimney on T-shaped 1 $\frac{1}{2}$ story house about 0.75 mi.in azimuth $10^{\circ}44'56''$; C/L S.chimney on large 1 $\frac{1}{2}$ story 4 gable sq.house about 2 mi.in azimuth $100^{\circ}59'24''$; C/L chimney on 1 story house with closed-in porch about 1.25 mi.in azimuth $167^{\circ}25'56''$.

X-1,867,994.92 Y-349,146.57 El. 1628.370 ft.

11-D-55 TT 1938; Blaine Co., 5.5 mi.W.& 0.8 mi.S.of Hitchcock; 1000.0 ft.N.& 2.0 ft.E.of approx.S $\frac{1}{2}$ Cor.sec.11,T17N,R12W; 200.0 ft.N.of windmill at stock well. OSCC Marker. C/L chimney on Centrailia school house about 0.75 mi.in azimuth $79^{\circ}53'50''$; C/L S.chimney on 1 $\frac{1}{2}$ story 4

gable house about 2.25 mi. in azimuth $207^{\circ}30'26''$; C/L chimney on T-shaped $1\frac{1}{2}$ story house about 0.75 mi. in azimuth $354^{\circ}19'40''$.

X-1,867,078.32 Y-349,009.62 El. 1638.787 ft.

11-D-56 TT 1938; Blaine Co., 6.0 mi. W. & 0.7 mi. S. of Hitchcock; near approx. SE. cor. NE. SE. sec. 10, T17N, R12W; 0.3 mi. N. of Centralia school house about 26.0 ft. W. of C/L twp. road; 2.0 ft. E. of W. R/W fence. OSCC Marker. C/L E. chimney on $1\frac{1}{2}$ story house near windmill about 0.12 mi. in azimuth $09^{\circ}59'09''$; C/L S. chimney on 1 story T-shaped house about 0.75 mi. in azimuth $184^{\circ}17'42''$; C/L chimney on 1 story T-shaped house about 0.12 mi. in azimuth $223^{\circ}50'22''$.

X-1,864,419.65 Y-350,167.76 El. 1639.242 ft.

11-D-57 TT 1938; Blaine Co., 6.3 mi. W. of Hitchcock; near approx. SW. cor. SE. SE. sec. 3, T17N, R12W; 35.0 ft. N. of C/L road; 2.0 ft. S. of N. R/W fence; 10.0 ft. W. of locust tree in N. R/W fence & winding lot fence N. OSCC Marker. C/L stovepipe chimney on 1 story shack about 2 mi. in azimuth $25^{\circ}34'10''$; C/L S. gable on shack about 1.5 mi. in azimuth $140^{\circ}55'25''$; C/L W. chimney on T-shaped house about 0.37 miles in azimuth $315^{\circ}46'32''$.

X-1,863,027.50 Y-353,921.52 El. 1634.812 ft.

11-D-58 TT 1938; Blaine Co., 7.1 mi. W. & 0.5 mi. N. of Hitchcock; 327.0 ft. W. & 2.5 ft. S. of approx. E. $\frac{1}{2}$ cor. sec. 4, T17N, R12W; 3.0 ft. W. & 2.5 ft. S. of fence cor. at edge of blackjack wood; top of ridge. OSCC Marker. C/L E. chimney on $1\frac{1}{2}$ story house near windmill about 2 mi. in azimuth $321^{\circ}13'28''$.

X-1,858,831.53 Y-356,502.27 El. 1654.618 ft.

11-D-59 TT 1938; Blaine Co., 7.5 mi. W. & 1.0 mi. N. of Hitchcock; 237.0 ft. W. & 26.0 ft. S. of approx. N. $\frac{1}{2}$ cor. sec. 4, T17N, R12W; 1.0 ft. N. & 15.0 ft. E. of OG&E power pole #14-12. OSCC Marker. C/L chimney on house about 0.25 mi. in azimuth $146^{\circ}59'45''$.

X-1,856,307.36 Y-358,958.08 El. 1665.025 ft.

11-D-60 TT 1938; Blaine Co., 8.0 mi. W. & 1.0 mi. N. of Hitchcock; 117.0 ft. W. & 33.0 ft. N. of approx. SE. cor. sec. 32, T18N, R12W; 2.0 ft. N. of N. R/W fence; 58.0 ft. E. & 63.0 ft. N. of OG&E power pole #15-1; OSCC Marker. C/L S. chimney on 1 story house about 0.75 mi. in azimuth $93^{\circ}02'35''$.

X-1,853,789.91 Y-359,048.64 El. 1654.162 ft.

11-D-61 TT 1938; Blaine Co., 8.5 mi. W. & 1.0 mi. N. of Hitchcock; 185.0 ft. W. & 26.0 ft. S. of approx. N. $\frac{1}{2}$ cor. sec. 5, T17N, R12W; 40.0 ft. W. & 1.0 ft. N. of OG&E power pole #15-12; 2.0 ft. S. of S. R/W fence. OSCC Marker. C/L chimney on Broadview (native stone) schoolhouse about 0.9 mi. in azimuth $92^{\circ}16'06''$; C/L SE. gable on corrugated iron grain elevator about 1.75 mi. in azimuth $154^{\circ}37'46''$; C/L S. chimney on 1 story L-shaped house about 0.06 mi. in azimuth $245^{\circ}12'06''$.

X-1,851,108.60 Y-359,020.70 El. 1633.394 ft.

11-D-62 TT 1938; Blaine Co., 9.4 mi. W. & 1.0 mi. N. of Hitchcock; 18.0 ft. N. of approx. S. $\frac{1}{2}$ cor. sec. 31, T18N, R12W; 1.5 ft. S. of SW. cor. Broadview School yard fence; 64.0 ft. S. & 59.0 ft. W. of SW. cor. stone schoolhouse. OSCC Marker. C/L Eagle City Consolidated schoolhouse about 7 mi. in azimuth $46^{\circ}46'11''$; C/L chimney on Broadview (native stone) schoolhouse, about 0.02 mi. in azimuth $214^{\circ}26'36''$.

X-1,846,620.15 Y-359,100.52 El. 1573.244 ft.

11-D-63 TT 1938; Blaine Co., 9.9 mi. W. & 1.0 mi. N. of Hitchcock; 26.0 ft. S. of approx. NW. cor. sec. 6, T17N, R12W; 90.0 ft. E. & 1.0 ft. N. of OG&E power pole #16-22. OSCC Marker. C/L chimney on $1\frac{1}{2}$ story house about 0.12 mi. in azimuth $88^{\circ}30'55''$.

X-1,843,803.64 Y-359,100.69 El. 1549.021 ft.

11-D-64 TT 1938; Blaine Co., 10.2 mi. W. & 1.0 mi. N. of Hitchcock; near approx. SW. cor. SE. SE. sec. 36, T18N, R13W; NE. of OG&E power pole #17-5; NW. of OG&E power pole 17.4; on top of sand knoll. OSCC Marker. C/L chimney on 1 story house about 3.5 mi. in azimuth $108^{\circ}28'50''$; C/L chimney on 1 story L-shaped house about 1.5 mi. in azimuth $205^{\circ}51'10''$; C/L S. chimney on $1\frac{1}{2}$ story 4 gable house about 0.5 mi. in azimuth $237^{\circ}27'58''$.

X-1,842,472.51 Y-359,237.34 El. 1578.069 ft.

11-D-65 TT 1938; Blaine Co., 10.6 mi.W. & 1.0 mi.N. of Hitchcock; in approx. SW $\frac{1}{4}$ sec. 36, T18N, R13W; NE. of OG&E power pole #17-14; NW. of OG&E power pole 17-13. OSCC Marker. C/L chimney on Eagle City Consolidated Schoolhouse about 7 mi. in azimuth 35°41'07"; C/L chimney on 1 story house with lean-to kitchen about 4 mi. in azimuth 116°44'10"; C/L chimney on 1 story L-shaped house about 2 mi. in azimuth 187°22'40".

X-1, 840, 256.55 Y-359, 322.51 El. 1583.661 ft.

11-D-66 TT 1938; Blaine Co., 10.9 mi.W. & 1.0 mi.N. of Hitchcock; near approx. NW. cor. sec. 1, T17N, R13W; on SI&SF RR R/W; 83.0 ft. NW. of telegraph pole #635-25; 13.0 ft. E. of W.R/W fence; approx. 41.0 ft. W. of near rail; 1616.55 ft. N. of bridge #3631-55 over N. Canadian River. OSCC Marker.

X-1, 838, 723.34 Y-358, 997.50 El. 1562.530 ft.

11-D-67 TT 1938; Blaine Co., 11.6 mi.W. & 0.5 mi.N. of Hitchcock; 3.5 mi.N. & 1.5 mi.E. of Eagle City; near center sec. 2, T17N, R13W; on SI&SF RR R/W; 84.0 ft. W. of tel. pole #636-20; 45.0 ft. NW. of near rail; 880.4 ft. S. of S. end of bridge #1835 spanning N. Canadian River; in line with easterly rail extended S. from bridge; 3.5 ft. E. of westerly R/W fence. OSCC Marker. C/L E. gable of pump house by windmill about 0.5 mi. in azimuth 58°00'06"; C/L W. gable on 1 story shack about 0.03 mi. in azimuth 272°05'29".

X-1, 835, 916.06 Y-355, 573.25 El. 1560.196 ft.

11-D-68 TT 1938; Blaine Co., 12.6 mi.W. & 1.0 mi.N. of Hitchcock; 4.0 mi.N. & 0.4 mi.E. of Eagle City; 456.0 ft. W. & 30.0 ft. S. of approx. N $\frac{1}{4}$ cor. sec. 3, T17N, R13W; 2.0 ft. N. of S. R/W fence. OSCC Marker. C/L E. chimney on T-shaped 1 $\frac{1}{2}$ story house about 0.5 mi. in azimuth 64°54'04"; C/L chimney on 1 story house about 3 mi. in azimuth 240°27'04"; C/L chimney atop sq. peak-roof house about 1.25 mi. in azimuth 332°31'24".

X-1, 829, 790.35 Y-359, 183.72

14-C-32 TT 1934; Blaine Co., Junction Station. See Traverse 14-C.

Traverse 13-A; Canadian, Blaine & Caddo Co's.
El Reno W. Base to Albert Tri. Sta.
North Projection

El Reno West Base, (Canadian Co., A.L. Baldwin, 1900-1902) Approx. 2.5 mi. S. & 6.75 mi. W. of CRI&P RR depot at El Reno, on land owned in 1902 by J.T. Seawall & on summit of prominent hill. Surface mark is std. sta. disk in block of red sandstone. Underground mark is hole in copper bolt in limestone block about 4 ft. below surface.

X-1, 978, 166.95 Y-176, 362.41 El. 1531.444 ft.

Reference mark is 60-D nail in 4 in. terra-cotta pipe filled with & set in conc. in NE. cor. of cemetery; 226.731 m. (743.87 ft.) from station in azimuth 114°23'21".

13-A-1 TT 1933; Canadian Co., 6.0 mi.W. & 1.5 mi.S. of El Reno; 30.0 ft. E. & 5.0 ft. N. of approx. W $\frac{1}{4}$ cor. sec. 20, T12N, R8W. USC&GS & State Marker. C/L knob on top of Ft. Reno W.T. (W. one of 3) in azimuth 208°39'58"; C/L knob on US Reformatory W.T. in azimuth 240°06'34".

X-1, 976, 678.13 Y-182, 291.48 El. 1449.063 ft.

BM 1-A; Canadian Co., 6.0 mi.W. & 1.5 mi.S. of El Reno; 300.0 yds. S. of approx. NE. cor. sec. 19, T12N, R8W; center of W. hdw. of culvert.

El. 1442.275 ft.

13-A-2 TT 1934; Canadian Co., 6.0 mi.W. & 0.5 mi.S. of El Reno; 30.0 ft. E. & 3.0 ft. N. of approx. W $\frac{1}{4}$ cor. sec. 17, T12N, R8W. USC&GS & State Marker. C/L Ft. Reno W.T. (west) in azimuth 215°19'28"; C/L Ft. Reno east W.T. in azimuth 219°03'04".

X-1, 976, 686.19 Y-187, 555.76 El. 1423.768 ft.

BM 2-A; Canadian Co., 6.0 mi.W. & 0.5 mi.S. of El Reno; approx. 15.0 ft. S. & 12.0 ft. E. of approx. NW. cor. sec. 17, T12N, R8W; top of N. end of E. hdw. of culvert.

El. 1413.984 ft.

13-A-3 TT 1933; Canadian Co., 0.5 mi.S. & 6.0 mi.W. of El Reno; 30.0 ft. E. & 3.0 ft. S. of approx. W $\frac{1}{4}$ cor. sec. 8, T12N, R8W. USC&GS & State Marker.

C/L east W.T. at Ft. Reno in azimuth $230^{\circ}13'23''$; C/L U.S. Reformatory W. T. in azimuth $265^{\circ}36'40''$.

X-1,976,685.74 Y-192,821.85 El. 1405.320 ft.

13-A-4 TT 1933; Canadian Co., 6.5 mi.W. of El Reno, via US.Hwy.#66; 49.0 ft.N. & 2.0 ft.W. of approx. S $\frac{1}{2}$ cor. sec. 6, T12N, R9W. USC&GS & State Marker. C/L belfry on Church spire about 1 mi. in azimuth $27^{\circ}27'34''$; C/L highest most westerly W.T. at Ft. Reno in azimuth $237^{\circ}17'24''$.

X-1,974,012.96 Y-195,485.56 El. 1407.407 ft.

BM 4-A; Canadian Co., Approx. 7.0 mi.W. of El Reno, via US.Hwy.#66; 100.0 ft.W. of approx. NE. cor. sec. 12, T12N, R9W; top of E. end of S. hdw. of conc. culvert. El. 1424.237 ft.

13-A-5 TT 1933; Canadian Co., 7.33 mi.W. of El Reno; 3140.0 ft.E. & 43.0 ft.S. of approx. NW. cor. sec. 12, T12N, R9W. USC&GS & State Marker. C/L west W.T. at Ft. Reno in azimuth $244^{\circ}42'43''$; C/L W.T. at US. Reformatory at El Reno in azimuth $271^{\circ}46'14''$.

X-1,968,271.43 Y-195,352.60 El. 1500.855 ft.

BM 5-A; Canadian Co., approx. 7.5 mi.W. of El Reno; 39.0 ft.N. & 106.0 ft.E. of approx. SW. cor. sec. 1, T12N, R9W; is a triangular conc. hwy. monument 6 in. on side & about 3.0 ft. above ground. El. 1495.735 ft.

13-A-6 TT 1933; Canadian Co., 8.0 mi.W. of El Reno; 160.0 ft.N. & 58.0 ft.E. of approx. SW. cor. sec. 1, T12N, R9W. USC&GS & State Marker.

X-1,966,183.22 Y-195,586.67 El. 1487.110 ft.

13-A-7 TT 1933; Canadian Co., 8.0 mi.W. & 0.83 mi.N. of El Reno; 878.0 ft.S. & 45.0 ft.W. of approx. NE. cor. sec. 2, T12N, R9W. USC&GS & State Marker.

X-1,966,109.74 Y-199,808.82 El. 1471.263 ft.

BM 7-A; Canadian Co., approx. 8.0 mi.W. & 6.0 mi.N. of El Reno; 39.0 ft.E. of C/L pvt. & 2507.0 ft.N. of sec. cor's. of sec. 1 & 2, T12 & 13N, R9W; is a triangular hwy. monument. El. 1425.038 ft.

13-A-8 TT 1933; Canadian Co., 1.5 mi.S. of Calumet; 1324.0 ft.E. & 2132.0 ft.N. of approx. SW. cor. sec. 25, T13N, R9W; 422.6 ft.S. of P.C. on hwy. 33.41 ft.W. of W. edge of pvt. USC&GS & State Marker set 14 in. below surface in margin of wheat field. C/L knob on west W.T. at Ft. Reno in azimuth $308^{\circ}26'10''$.

X-1,966,167.95 Y-208,101.84 El. 1398.734 ft.

13-A-8-A TT 1933; Canadian Co., about 1.95 mi.S. of Calumet; top of N. end NW. hdw. of small conc. bridge on US.Hwy.#270. El. 1396.571 ft.

13-A-9 TT 1934; Canadian Co., 1.8 mi.S. of Calumet; 879.0 ft.S. of approx. NE. cor. sec. 26, T13N, R9W; 20.0 ft.W. of C/L US.Hwy.#270. USC&GS & State Marker.

X-1,964,803.77 Y-210,371.86 El. 1397.026 ft.

13-A-10 TT 1934; Canadian Co., 1.3 mi.S. of Calumet; 1615.0 ft.N. of approx. SE. cor. sec. 23, T13N, R9W; 48.0 ft.W. of C/L US.Hwy.#270. USC&GS & State Marker. C/L W. water tower at Ft. Reno in azimuth $287^{\circ}16'09''$.

X-1,964,789.05 Y-212,864.13 El. 1400.503 ft.

13-A-11 TT 1934; Canadian Co., 0.5 mi.S. of Calumet, on US.Hwy.#270; about 35.0 ft.N. & 30.0 ft.W. of approx. SE. cor. sec. 14, T13N, R9W. USC&GS & State Marker.

X-1,964,792.34 Y-216,584.70 El. 1384.200 ft.

BM 11-A; Canadian Co., approx. 0.25 mi.S. of Calumet; on US.Hwy.#270; approx. 850.0 ft.W. of N-S sec. line of sec's. 13 & 14, T13N, R9W; W. end S. hdw. of conc. culvert. El. 1376.351 ft.

13-A-12 TT 1934; Canadian Co., 1250.5 ft.W. of NW. cor. Todd & Frech-rome Ave., SE. cor. block 3, Frass Addition to Calumet on N. property line of Todd Ave. at cor. of Farmer's Co-operative Gin Co. property. USC&GS & State Marker.

X-1,962,811.26 Y-219,197.73 El. 1384.434 ft.

14-A-16 TT 1934; Junction Station. See Traverse 14-A.

13-A-13 TT 1934; Canadian Co., 0.6 mi.NW. of Calumet, on US.Hwy.#270; 43.0 ft.S. of C/L main line track CRI&P RR; by S.R/W fence; 204.0 ft.E. of E. end of RR pile bridge #5238. USC&GS & State Marker. C/L spire on Church in Calumet in azimuth $314^{\circ}09'41''$.

X-1,961,953.89 Y-220,500.56 El. 1371.585 ft.

- 13-A-14 TT 1934; Canadian Co., 1.5 mi.NW.of Calumet; 2043.9 ft.W.of E.line sec.15,T13N,R9W; 46.9 ft.N.of C/L CRI&P RR; 15.0 ft.SE.of tel. pole #524-24. USC&GS & State Marker. C/L SE.cor.house about 2.1 mi. in azimuth 119°52'20".
X-1,957,590.19 Y-221,858.80 El. 1394.057 ft.
- 13-A-15 TT 1934; Canadian Co., 2.25 mi.NW.of Calumet; 1361.4 ft.W. of E.line sec.9,T13N,R9W; 43.0 ft.N.of C/L CRI&P RR; 50.0 ft.NW.of tel. pole #525-21. USC&GS & State Marker.
X-1,952,959.85 Y-223,198.41 El. 1400.034 ft.
- 13-A-16 TT 1934; Canadian Co., 3.5 mi.NW.of Calumet; 646.0 ft.W.of E.line sec.8,T13N,R9W; 41.0 ft.S.of C/L CRI&P RR; 102.0 ft.SE.of tel. pole #526-19. USC&GS & State Marker.
X-1,948,344.02 Y-224,450.28 El. 1406.336 ft.
- 13-A-17 TT 1934; Canadian Co., 4.5 mi.NW.of Calumet; 761.0 ft.W.of E.line sec.7,T13N,R9W; 44.2 ft.N.of C/L CRI&P RR; 50.0 ft.E.& 90.0 ft.N. of tel.pole #527-20. USC&GS & State Marker.
X-1,943,040.85 Y-226,079.86 El. 1416.985 ft.
- 13-A-18 TT 1934; Canadian Co., 5.83 mi.E.of Geary; 1965.0 ft.E.of W.line sec.7,T13N,R9W; 38.2 ft.S.of C/L CRI&P RR; 325.0 ft.W.of tel.pole #528. USC&GS & State Marker.
X-1,940,324.34 Y-226,782.65 El. 1425.514 ft.
- 13-A-19 TT 1934; Canadian Co., 4.5 mi.E.of Geary; in sec.1,T13N, R10W; 40.0 ft.N.of C/L CRI&P RR at Karns Spur; 60.0 ft.E.of tel.pole # 529-15. USC&GS & State Marker.
X-1,933,675.72 Y-228,794.41 El. 1430.872 ft.
- 13-A-20 TT 1934; Canadian Co., 3.5 mi.E.& 0.5 mi.N.of Geary; in sec. 2,T13N,R10W; 40.0 ft.S.of C/L CRI&P RR; 25.0 ft.W.of tel.pole #530-15; 250.0 ft.E.of E.end RR pile trestle #5305. USC&GS & State Marker. C/L SE.cor.chimney on farmhouse about 0.9 mi.in azimuth 55°39'56"; C/L point W.gable on 1 story frame house about 2.4 mi.in azimuth 261°43'56".
X-1,928,403.20 Y-230,234.01 El. 1444.603 ft.
- 13-A-21 TT 1934; Canadian Co., 2.5 mi.E.& 1.0 mi.N.of Geary; 450.0 ft.S.& 35.0 ft.E.of approx.NW.cor.sec.3,T13N,R10W; 30.0 ft.N.of C/L CRI & P RR; 115.0 ft.E.of tel.pole #531-20. USC&GS & State Marker. C/L NW. cor.W.chimney on house about 1.2 mi.in azimuth 16°59'28"; C/L NW.cor.E. chimney on Con.School about 0.4 mi.in azimuth 257°13'13".
X-1,922,774.31 Y-231,955.08 El. 1468.359 ft.
- 13-A-22 TT 1934; Canadian Co., 1.75 mi.E.& 1.0 mi.N.of Geary; 1680.0 ft.E.of approx.NW.cor.sec.4,T13N,R10W; about 20.0 ft.N.of C/L of road at base of peak of Coyote Hill. USC&GS & State Marker. C/L knob on largest W.T.at Geary in azimuth 76°26'57"; C/L S.gable on house E.of large tin barn about 2 mi.in azimuth 178°59'12". C/L W.gable on barn about 2.9 mi.in azimuth 261°36'04".
X-1,919,059.16 Y-232,465.86 El. 1513.138 ft.
- 13-A-23 TT 1934; Canadian Co., 0.5 mi.N.& 1.4 mi.E.of Geary; approx. 640.0 ft.E.& 24.0 ft.S.of approx.N $\frac{1}{2}$ cor.sec.5,T13N,R10W. USC&GS & State Marker. C/L belfry on Fairview School about 1 mi.in azimuth 06°36'44"; C/L knob on largest W.T.at Geary in azimuth 72°20'24"; C/L NE.cor.small house W.of barn about 2.5 mi.in azimuth 179°52'24".
X-1,915,380.06 Y-232,433.55 El. 1470.787 ft.
- 13-A-24 TT 1934; Canadian Co., 0.5 mi.N.& 1.0 mi.E.of Geary; 84.0 ft.E.& 25.0 ft.N.of approx.SW.cor.sec.32,T14N,R10W. USC&GS & State Marker. C/L knob on largest W.T.at Geary in azimuth 65°48'49"; C/L peak of roof on large 2 story house about 0.75 mi.in azimuth 177°04'51"; C/L belfry on Fairview Schoolhouse about 1.8 mi.in azimuth 335°35'46".
X-1,912,294.42 Y-232,494.71 El. 1472.644 ft.
- 13-A-25 TT 1934; Canadian Co., 3672.0 ft.E.of CRI&P RR depot at Geary; 46.25 ft.N.of C/L main track on N-S $\frac{1}{2}$ sec.line sec.6,T13N,R10W. USC&GS & State Marker. C/L knob on largest W.T.at Geary in azimuth 78° 09'49"; C/L roof on 2 story house about 1.3 mi.in azimuth 202°08'10"; C/L belfry on Fairview Schoolhouse about 1.3 mi.in azimuth 299°42'58".
X-1,909,583.69 Y-230,018.18 El. 1507.416 ft.

- 13-A-26 TT 1934; Blaine Co., In Geary on W.side of Broadway Ave., 102.0 ft.from C/L St.crossing & main line of CRI&P RR; 498.25 ft.W. of C/L RR depot. USC&GS & State Marker. C/L N.gable on large house in azimuth $56^{\circ}32'35''$; C/L W.gable on large house in azimuth $297^{\circ}17'50''$.
X-1,905,640.67 Y-228,659.70 El. 1544.027 ft.
- 13-A-27 TT 1934; Blaine Co., At S.boundary of Geary; 974.0 ft.S.of N.line sec.12,T13N,R11W; said N.line is present S.boundary of Geary & jct.US.Hwy.#270 & OK.Hwy.#8. USC&GS & State Marker. C/L E.gable on large 2 story house about 1.8 mi.in azimuth $59^{\circ}52'09''$; C/L knob on largest W.T.at Geary in azimuth $153^{\circ}21'54''$; C/L W.gable on E.roof of house of Frank Roberts about 0.3 mi.in azimuth $336^{\circ}24'02''$.
X-1,905,659.13 Y-226,252.60 El. 1582.179 ft.
- 13-A-28 TT 1934; Blaine Co., 1.25 mi.S.of Geary Depot, on E.R/W line of CRI&P RR; in approx.NW $\frac{1}{4}$ sec.13,T13N,R11W. USC&GS & State Marker. C/L knob on Hinton W.T.in azimuth $10^{\circ}54'17''$; C/L knob on largest W.T.at Geary in azimuth $185^{\circ}38'14''$; C/L left gable on house, roof & upper part visible on horizon, in azimuth $301^{\circ}48'14''$.
X-1,903,703.27 Y-222,636.82 El. 1507.100 ft.
- 13-A-29 TT 1934; Blaine Co., 1.75 mi.S.of Geary; in sec.13,T13N,R11W; 46.0 ft.W.of C/L main track CRI&P RR; about 50.0 ft.S.of pole #536-22. USC&GS & State Marker. C/L knob on Hinton W.T.in azimuth $10^{\circ}23'04''$; C/L left gable on house about 0.75 mi.in azimuth $272^{\circ}03'18''$.
X-1,902,889.54 Y-220,724.47 El. 1490.573 ft.
- 13-A-30 TT 1934; Blaine Co., 2.75 mi.S.of S.limits of Geary; 40.0 ft.W.of C/L CRI&P RR; 1390.0 ft.S.of S.end of pile bridge #5375; 95.0 ft.S.of pole #537-22. USC&GS & State Marker. C/L SE.cor.1 $\frac{1}{2}$ story house in azimuth $140^{\circ}46'59''$. C/L W.gable on house about 0.12 mi.in azimuth $285^{\circ}54'42''$.
X-1,900,792.23 Y-215,758.05 El. 1448.769 ft.
- 13-A-31 TT 1934; Blaine Co., about 3.75 mi.S.of S.limits of Geary; 62.0 ft.E.of C/L CRI&P RR; 11.0 ft.E.of R/W fence; 10.0 ft.S.of tel.pole #538-21; 38.0 ft.W.of C/L OK.Hwy.#8. USC&GS & State Marker. C/L top center Hinton W.T.in azimuth $11^{\circ}11'30''$; C/L S.gable on small house about 0.5 mi.in azimuth $182^{\circ}10'50''$.
X-1,901,655.01 Y-210,885.20 El. 1446.707 ft.
- 13-A-32 TT 1934; Blaine Co., 4.0 mi.S.of Geary; approx. 800.0 ft.E. & 26.0 ft.S.of approx.NW.cor.sec.36,T13N,R11W; about 41.0 ft.W.of third pole E.of pole #2-55 of E-W power line. USC&GS & State Marker. C/L Hinton W.T.in azimuth $13^{\circ}45'29''$; C/L Bridgeport W.T.in azimuth $64^{\circ}50'44''$; C/L E.gable of lunch room on hwy.in azimuth $154^{\circ}52'34''$.
X-1,902,308.73 Y-206,111.36 El. 1423.671 ft.
- 13-A-33 TT 1934; Blaine Co., 4.0 mi.E.& 0.5 mi.N.of Bridgeport; 50.0 ft.S.of C/L gravel hwy.formerly US.Hwy.#66, but in future E.fork of OK.Hwy.#8; about 2852.5 ft.NW.of NE.end of bridge across S.Canadian River; 70.0 ft.W.of C/L side road to S.on top of sand bank; clump of trees on sand hummock on N.side of road. USC&GS & State Marker. C/L flagpole on schoolhouse in azimuth $42^{\circ}22'10''$; C/L knob on Bridgeport W.T.in azimuth $82^{\circ}21'05''$; C/L NW.gable on house on top of knoll about 0.1 mi.in azimuth $218^{\circ}51'47''$.
X-1,905,607.69 Y-201,777.63 El. 1392.343 ft.
- 13-A-34 TT 1934 = 14-B-10 TT 1934; Blaine Co., 4.0 mi.E.of Bridgeport; set in top of N.end of NE.abutment of multiple pony truss bridge across S.Canadian River on US.Hwy.#66. USC&GS & State Marker. Point at C/L paving at N.end of conc.approach to S.Canadian River bridge about 17.4 ft.in azimuth $320^{\circ}58'52''$.
X-1,907,057.14 Y-199,323.37 El. 1392.583 ft.
- 14-B-9 TT 1934; Junction Station. See Traverse 14-B.
- 13-A-35 TT 1934; Caddo Co., 3.0 mi.E.& 0.5 mi.S.of Bridgeport; on high bank S.of curve on US.Hwy.#66; S.of bridge across S.Canadian River on prolongation of C/L of bridge; 2190.0 ft.SW.of SW.end of bridge; 15.0 ft.S.of brow of cut. USC&GS & State Marker. C/L spire on Riverview School

- house in azimuth $92^{\circ}21'51''$; C/L knob on largest W.T. at Geary in azimuth $183^{\circ}29'10''$.
- X-1,902,282.43 Y-195,318.37 El. 1406.389 ft.
 13-A-36 TT 1934; Caddo Co., 0.5 mi.S. & 2.0 mi.E. of Bridgeport; in approx. SW $\frac{1}{4}$ sec. 2, T12N, R11W; 43.0 ft. N. of C/L US Hwy. #66 just S. of Riverview schoolhouse. USC&GS & State Marker. C/L W. chimney on farmhouse on horizon about 3.1 mi. in azimuth $163^{\circ}30'20''$; C/L W. gable on barn about 3.1 mi. in azimuth $286^{\circ}19'00''$; C/L N. gable on tin roof barn about 1.1 mi. in azimuth $343^{\circ}41'20''$.
- X-1,899,779.49 Y-195,379.76 El. 1477.270 ft.
 13-A-37 TT 1934; Caddo Co., (Reset 1937). 0.75 mi.E. & 1.0 mi.S. of Bridgeport; 111.3 ft. S. of C/L US Hwy. #66; 307.9 ft. E. of SE. cor. of pump house; 77.0 ft. NW. of C/L E. spur of OK Hwy. #8; 96.4 ft. SW. of C/L tin-horn hdw. at E. end of park. OSCC Marker.
- X-1,896,254.99 Y-195,260.02 El. 1494.145 ft.
 13-A-38 TT 1934; Caddo Co., 1.25 mi.E. & 1.0 mi.S. of Bridgeport; 2292.0 ft. N. of S. line sec. 10, T12N, R11W; 0.5 mi.S. of US Hwy. #66; 47.0 ft. E. of C/L OK Hwy. #8; 4.0 ft. W. of E. R/W fence. USC&GS & State Marker. C/L knob on Hinton W.T. in azimuth $05^{\circ}11'50''$; C/L knob on Bridgeport W.T. in azimuth $131^{\circ}47'00''$; C/L knob on Geary W.T. in azimuth $193^{\circ}14'05''$.
- X-1,895,807.15 Y-192,503.35 El. 1542.391 ft.
 13-A-39 TT 1934; Caddo Co., 2.75 mi.N. of Hinton; 1658.0 ft. N. of S. line sec. 15, T12N, R11W; 47.0 ft. E. of C/L OK Hwy. #8, about 3.0 ft. W. of E. R/W fence; 105.0 ft. N. of N. edge of farmhouse owned by Mr. Pearl Ragor & Mrs. Jessie Remmings. USC&GS & State Marker. C/L knob on Hinton W.T. in azimuth $07^{\circ}16'38''$; C/L knob on Bridgeport W.T. in azimuth $149^{\circ}00'06''$; C/L W. gable on farmhouse about 1.8 mi. in azimuth $235^{\circ}09'31''$.
- X-1,895,814.39 Y-186,502.64 El. 1611.663 ft.
 13-A-40 TT 1934; Caddo Co., 0.5 mi.N. of Hinton; about 25.0 ft. E. of prolongation of C/L of Vernon Ave., 47.0 ft. S. of C/L OK Hwy. #8; 3.0 ft. N. of S. R/W fence at curve. USC&GS & State Marker. C/L knob on Hinton W.T. in azimuth $17^{\circ}56'58''$; C/L knob on Bridgeport W.T. in azimuth $163^{\circ}50'01''$; C/L W. gable on schoolhouse about 1 mi. in azimuth $258^{\circ}30'18''$.
- X-1,895,036.38 Y-175,341.12 El. 1656.506 ft.
 13-A-40-A TT 1934; Caddo Co., In Hinton; elevation established on small bolt head set in top of conc. foundation of SW. leg of city W.T. in Hinton. El. 1681.848 ft.
- 13-A-41 TT 1934; Caddo Co., 1656.61 ft. S. of C/L Hinton Main St. at S. end of Vernon Ave. In approx. SW $\frac{1}{4}$ sec. 34, T12N, R11W; 32.0 ft. W. of C/L CRI&P RR; 6.0 ft. E. of W. R/W fence. USC&GS & State Marker. C/L NW. cor. E. chimney on farmhouse about 1.1 mi. in azimuth $16^{\circ}58'44''$; C/L knob on Hinton W.T. in azimuth $151^{\circ}39'39''$; C/L W. gable on farmhouse about 0.9 mi. in azimuth $279^{\circ}07'51''$.
- X-1,894,942.56 Y-170,256.51 El. 1655.852 ft.
 13-A-42 TT 1934; Caddo Co., In S. limits of Hinton; 1.5 ft. E. of W. fence line; 200.0 ft. NE. of PC in OK Hwy. #8; 48.0 ft. W. of C/L USC&GS & State Marker. C/L NW. cor. chimney on farmhouse about 0.9 mi. in azimuth $05^{\circ}54'15''$; C/L knob on Hinton W.T. in azimuth $188^{\circ}29'50''$.
- X-1,893,442.31 Y-168,500.79 El. 1678.452 ft.
 13-A-43 TT 1934; Caddo Co., 1.0 mi.S. of Hinton; 15.0 ft. N. & 56.0 ft. W. of approx. SE. cor. sec. 4, T11N, R11W; 100.0 ft. E. & 100.0 ft. N. of Mr. Henies farmhouse; 60.0 ft. W. of C/L OK Hwy. #8. USC&GS & State Marker. C/L knob on Hinton W.T. in azimuth $186^{\circ}28'41''$; C/L W. gable on Mr. Smith's house in azimuth $356^{\circ}47'09''$.
- X-1,893,040.69 Y-163,843.44 El. 1638.470 ft.
 13-A-44 TT 1934; Caddo Co., 2.0 mi.S. of Hinton; in approx. NW. NW. sec. 15, T11N, R11W; 47.0 ft. E. of C/L OK Hwy. #8; 2.5 ft. W. of E. fence. USC&GS & State Marker. C/L S. gable on 2 story house about 1.1 mi. in azimuth $120^{\circ}10'29''$.
- X-1,893,143.01 Y-157,744.68 El. 1587.800 ft.
 13-A-45 TT 1934; Caddo Co., 3.2 mi.S. of Hinton; in approx. SE $\frac{1}{4}$ sec.

16, T11N, R11W; 60.0 ft. SE. of C/L OK. Hwy. #8 on small knoll. USC&GS & State Marker. C/L 1 story house about 1.4 mi. in azimuth $133^{\circ}22'08''$; C/L knob on Hinton W.T. in azimuth $184^{\circ}00'43''$; C/L $1\frac{1}{2}$ story house about 2.1 mi. in azimuth $297^{\circ}10'05''$.

X-1,892,758.11 Y-154,718.25 El. 1569.008 ft.

13-A-46 TT 1934; Caddo Co., 3.8 mi. S. of Hinton; in approx. NE. NE. sec. 21, T11N, R11W; 55.0 ft. SE. of C/L OK. Hwy. #8 on small knoll; 500.0 ft. N. of a 2 x 2 ft. conc. culvert. USC&GS & State Marker. C/L E. gable on small frame house about 3.4 mi. in azimuth $67^{\circ}22'49''$; C/L SE. cor. small frame house about 1.0 mi. in azimuth $191^{\circ}19'19''$; C/L W. gable on King's barn about 2.4 mi. in azimuth $284^{\circ}01'09''$.

X-1,891,457.22 Y-152,235.47 El. 1530.330 ft.

13-A-47 TT 1934; Caddo Co., 4.2 mi. S. of Hinton; in approx. SE. NW. sec. 21, T11N, R11W; 2744.0 ft. NE. of sec. line between sec's. 21 & 28; 42.0 ft. NW. of C/L OK. Hwy. #8; 70 paces SW. from cross fence E-W. USC&GS & State Marker. C/L NE. cor. farmhouse about 0.9 mi. in azimuth $28^{\circ}09'53''$; C/L chimney on small frame house about 3.1 mi. in azimuth $83^{\circ}05'53''$; C/L S. gable on farmhouse about 0.9 mi. in azimuth $220^{\circ}07'58''$.

X-1,890,253.34 Y-150,594.09 El. 1508.555 ft.

13-A-48 TT 1934; Caddo Co., 5.3 mi. S. of Hinton; in approx. SW. NW. sec. 28, T11N, R11W; 2614.0 ft. SW. of sec. line between sec's. 21 & 28; 55.0 ft. NW. of C/L OK. Hwy. #8 on small knoll. USC&GS & State Marker. C/L chimney on sq. 2 story house about 2.8 mi. in azimuth $48^{\circ}58'40''$; C/L knob on Hinton W.T. in azimuth $192^{\circ}50'50''$; C/L N. gable on barn about 4.2 mi. in azimuth $306^{\circ}57'15''$.

X-1,887,976.57 Y-145,746.58 El. 1511.753 ft.

13-A-49 TT 1934; Caddo Co., 5.6 mi. S. of Hinton; in approx. SE $\frac{1}{2}$ sec. 29, T11N, R11W; 1010.0 ft. N. of sec. line between sec's. 29 & 30; 51.0 ft. W. of C/L OK. Hwy. #8 on N. brow of Sugar Creek Valley. USC&GS & State Marker. C/L chimney on 2 story frame house about 2.8 mi. in azimuth $52^{\circ}24'03''$; C/L tip of E. gable on large barn in azimuth $148^{\circ}41'52''$; C/L W. gable belfry on schoolhouse about 2.2 mi. in azimuth $309^{\circ}40'18''$.

X-1,887,752.38 Y-143,882.23 El. 1464.419 ft.

13-A-50 TT 1934; Caddo Co., 7.7 mi. S. of Hinton; 0.75 mi. NW. of Lookaba; in approx. NE. SE. sec. 5, T10N, R11W; on W. edge of sec. line between sec's. 4 & 5. USC&GS & State Marker. C/L E. gable on $1\frac{1}{2}$ story house about 2.0 mi. in azimuth $132^{\circ}18'06''$; C/L knob on Hinton W.T. in azimuth $189^{\circ}15'36''$; C/L W. gable on $1\frac{1}{2}$ story frame house about 3.4 mi. in azimuth $316^{\circ}51'02''$.

X-1,887,698.09 Y-133,563.64 El. 1467.823 ft.

13-A-51 TT 1934; Caddo Co., 0.25 mi. SW. of Lookaba School Bldg., in approx. SW. NE. sec. 9, T10N, R11W; 2474.0 ft. SE. of N. sec. line between sec's. 4 & 9; 45.0 ft. E. of C/L OK. Hwy. #8. USC&GS & State Marker. C/L knob on Hinton W.T. in azimuth $184^{\circ}35'02''$; C/L W. gable on $1\frac{1}{2}$ story house about 1.2 mi. in azimuth $259^{\circ}44'55''$; C/L spire on Catholic Church S. of Binger about 4.0 mi. in azimuth $339^{\circ}23'17''$.

X-1,890,647.61 Y-130,504.69 El. 1435.508 ft.

13-A-52 TT 1934; Caddo Co., about 1.0 mi. S. of Lookaba; in approx. NW. NW. sec. 15, T10N, R11W; 55.0 ft. NE. of C/L OK. Hwy. #8 on convex side of 1st curve. USC&GS & State Marker. C/L N. gable on 2 story frame house about 0.5 mi. in azimuth $04^{\circ}25'34''$; C/L N. cor. of Lookaba schoolhouse in azimuth $155^{\circ}30'09''$; C/L S. gable on frame house about 0.9 mi. in azimuth $255^{\circ}05'05''$.

X-1,892,870.67 Y-126,218.07 El. 1336.418 ft.

13-A-53 TT 1934; Caddo Co., 1.8 mi. S. of Lookaba; near approx. SE. SE. sec. 16, T10N, R11W; 53.0 ft. W. of C/L OK. Hwy. #8 on N. end of cut. USC&GS & State Marker. C/L knob on Hinton W.T. in azimuth $181^{\circ}17'06''$; C/L W. gable on $1\frac{1}{2}$ story frame house about 2.8 mi. in azimuth $299^{\circ}44'26''$.

X-1,892,867.09 Y-122,566.92 El. 1391.725 ft.

13-A-54 TT 1934; Caddo Co., about 0.75 mi. NW. of Binger; in approx. NE. SW. sec. 22, T10N, R11W; on W. side OK. Hwy. #8; 50.0 ft. W. of C/L. USC&GS & State Marker. C/L E. gable on frame house about 0.2 mi. in azimuth $39^{\circ}39'40''$; C/L knob Hinton W.T. in azimuth $178^{\circ}51'20''$; C/L W. gable on $1\frac{1}{2}$ story

frame house about 1.2 mi. in azimuth $285^{\circ}11'43''$.

X-1,895,041.73 Y-118,661.18 El. 1370.451 ft.

13-A-55 TT 1934; Caddo Co., 0.25 mi. N. of Binger; in approx. NE. NE. sec. 27, T10N, R11W; on E. R/W OK. Hwy. #8; 50.0 ft. E. of C/L USC&GS & State Marker. C/L E. gable on 1 story farmhouse about 1 mi. in azimuth $86^{\circ}24'32''$; C/L S. gable on 1 story stucco farmhouse about 0.5 mi. in azimuth $185^{\circ}56'47''$; C/L knob on Gracemont W.T. in azimuth $331^{\circ}02'34''$.

X-1,897,544.87 Y-116,269.11 El. 1336.794 ft.

(Note: Balance of this line will be found in Bulletin #58).

Traverse 13-C; Kingfisher & Blaine Co's.

15-A-10 TT 1934 to 15-D-5 TT 1935

North Projection

15-A-10 TT 1934; Junction Station. See Traverse 15-A.

13-C-5 TT 1938; Kingfisher Co., 1.0 mi. N. & 0.3 mi. W. of Okarche; 24.5 ft. S. & 911.0 ft. E. of approx. $N\frac{1}{2}$ cor. sec. 31, T15N, R7W; 1.0 ft. N. of S. R/W fence in range of W. side of farmhouse N. of road. OSCC Marker. C/L E. gable on 2 story farmhouse about 1.5 mi. in azimuth $33^{\circ}21'58''$; C/L stove-pipe chimney on 2 story house in azimuth $326^{\circ}13'03''$; C/L Okarche W.T. in azimuth $350^{\circ}37'13''$; C/L E. apex farmhouse about 1 mi. in azimuth $90^{\circ}45'40''$; C/L S. apex farmhouse about 1 mi. in azimuth $131^{\circ}12'30''$.

X-2,005,247.30 Y-269,402.40 El. 1233.250 ft.

13-C-6 TT 1938; Kingfisher Co., 1.0 mi. N. & 2.0 mi. W. of Okarche; 30.0 ft. S. & 100.0 ft. E. of approx. NW. cor. sec. 36, T15N, R6W; 3.0 ft. N. of S. R/W fence; 60.0 ft. E. of R.E.A. guy pole. OSCC Marker. C/L E. apex on 2 story farmhouse about 2 mi. in azimuth $73^{\circ}46'38''$; C/L E. apex on 2 story farmhouse about 0.5 mi. in azimuth $156^{\circ}45'09''$; C/L Okarche W.T. about 3 mi. in azimuth $295^{\circ}34'38''$.

X-1,996,415.63 Y-269,313.67 El. 1175.206 ft.

13-C-7 TT 1938; Kingfisher Co., 1.0 mi. N. & 3.3 mi. W. of Okarche; 25.0 ft. N. & 731.0 ft. E. of approx. $S\frac{1}{2}$ cor. sec. 27, T15N, R6W; 7.0 ft. S. of R. E.A. pole; OSCC Marker. C/L N. apex on 2 story farmhouse about 0.75 mi. in azimuth $63^{\circ}23'52''$; C/L chimney on sq. top house about 1.5 mi. in azimuth $223^{\circ}36'22''$; C/L apex Okarche W.T. about 2 mi. in azimuth $275^{\circ}21'12''$.

X-1,989,165.47 Y-269,343.39 El. 1176.335 ft.

13-C-8 TT 1938; Kingfisher Co., 1.0 mi. N. & 4.45 mi. W. of Okarche; 30.0 ft. S. & 299.0 ft. E. of approx. $N\frac{1}{2}$ cor. sec. 33, T15N, R6W; 20.0 ft. N. of S. R/W fence. OSCC Marker. C/L E. apex on farmhouse about 1.0 mi. in azimuth $50^{\circ}29'05''$; C/L S. apex on 2 story farmhouse about 1 mi. in azimuth $193^{\circ}02'30''$; C/L Okarche W.T. about 3.0 mi. in azimuth $281^{\circ}29'15''$.

X-1,983,467.43 Y-269,300.83 El. 1203.225 ft.

13-C-9 TT 1938; Kingfisher Co., 1.0 mi. N. & 6.0 mi. W. of Okarche; 27.0 ft. N. & 364.0 ft. E. of approx. SW. cor. sec. 29, T15N, R6W; 3.0 ft. S. of N. R/W fence; 335.0 ft. E. of fence cor. OSCC Marker. C/L Okarche W.T. about 6 mi. in azimuth $278^{\circ}41'29''$; C/L N. apex on 2 story farmhouse about 1 mi. in azimuth $342^{\circ}13'03''$; C/L W. apex farmhouse about 1 mi. in azimuth $224^{\circ}41'15''$.

X-1,975,647.78 Y-269,358.24 El. 1215.573 ft.

13-C-10 TT 1938; Kingfisher Co., 1.0 mi. N. & 6.6 mi. W. of Okarche; 229.0 ft. N. & 465.0 ft. W. of approx. $S\frac{1}{2}$ cor. sec. 30, T15N, R6W; 3.0 ft. E. of cross fence in feed lot. OSCC Marker. C/L E. apex farmhouse about 1 mi. in azimuth $98^{\circ}55'27''$; C/L S. apex farmhouse about 1 mi. in azimuth $193^{\circ}02'02''$.

X-1,972,183.33 Y-269,566.25 El. 1196.533 ft.

13-C-11 TT 1938; Kingfisher Co., 1.0 mi. N. & 7.5 mi. W. of Okarche; 24.5 ft. S. of approx. $N\frac{1}{2}$ cor. sec. 36, T15N, R9W; 2.0 ft. N. of S. R/W fence in range of cross fence S., 1.0 ft. N. & 37.5 ft. W. of R.E.A. pole. OSCC Marker. C/L chimney on 2 story sq. top farmhouse about 1 mi. in azimuth $216^{\circ}10'55''$; C/L Okarche W.T. about 8 mi. in azimuth $276^{\circ}47'27''$; C/L N. apex on house about 2 mi. in azimuth $297^{\circ}06'35''$.

X-1,967,574.83 Y-269,300.98 El. 1212.212 ft.

13-C-12 TT 1938; Kingfisher Co., 1.0 mi.N.& 8.5 mi.W.of Okarche; 22.5 ft.N.of approx. $S\frac{1}{2}$ cor.sec.26,T15N,R9W; 2.0 ft.S.of N.R/W fence in range of cross fence S. OSCC Marker. C/L E.apex on farmhouse about 0.5 mi.in azimuth $82^{\circ}38'49''$; C/L W.apex on farmhouse about 1 mi.in azimuth $256^{\circ}34'34''$; C/L W.apex on 2 story farmhouse about 2 mi.in azimuth $289^{\circ}49'54''$.

X-1,962,282.78 Y-269,339.27 El. 1226.945 ft.

13-C-13 TT 1938; Kingfisher Co., 1.0 mi.N.& 10.0 mi.W.of Okarche; 33.0 ft.S.& 25.5 ft.W.of approx.NE.cor.sec.33,T15N,R9W; 2.0 ft.E.of W. R/W fence. OSCC Marker. C/L S.apex on farmhouse about 0.75 mi.in azimuth $199^{\circ}58'22''$; C/L W.apex on 2 story farmhouse about 1 mi.in azimuth $278^{\circ}06'02''$; C/L N.apex on farmhouse about 1 mi.in azimuth $355^{\circ}41'55''$.

X-1,954,372.64 Y-269,257.71 El. 1267.602 ft.

13-C-13-A TT 1938; Kingfisher Co., 10.6 mi.W.& 0.6 mi.N.of Okarche; approx. 100.0 ft.N.& 1900.0 ft.E.of approx. $W\frac{1}{2}$ cor.sec.33,T15N,R9W; atop a porcupine butte in pasture. OSCC Marker. C/L Kingfisher W.T.in azimuth $235^{\circ}29'14''$; C/L Okarche W.T.in azimuth $271^{\circ}55'26''$; C/L chimney on $1\frac{1}{2}$ story farmhouse about 1.5 mi.in azimuth $334^{\circ}44'11''$.

X-1,950,983.56 Y-266,570.25

13-C-14 TT 1938; Kingfisher Co., 1.75 mi.N.& 10.0 mi.W.of Okarche; 964.0 ft.S.& 26.5 ft.W.of approx.NE.cor.sec.28,T15N,R9W; 3.0 ft.W.of W. R/W fence; 3.0 ft.N.of cross fence W.in pasture. OSCC Marker. C/L S. chimney on T-shaped house about 1.75 mi.in azimuth $121^{\circ}21'46''$; C/L E. chimney on farmhouse about 0.5 mi.in azimuth $176^{\circ}56'31''$; C/L Okarche W. T.in azimuth $279^{\circ}46'13''$.

X-1,954,369.01 Y-273,613.82 El. 1258.012 ft.

13-C-15 TT 1938; Kingfisher Co., 2.0 mi.N.& 11.1 mi.W.of Okarche; 397.0 ft.S.& 579.0 ft.W.of approx.NE.cor.sec.29, T15N,R9W; 2.0 ft.W.of cross fence in pasture. OSCC Marker. C/L chimney on house about 0.5 mi. in azimuth $154^{\circ}30'16''$; C/L W.chimney on house about 0.5 mi.in azimuth $194^{\circ}22'16''$; C/L E.chimney on house about 0.5 mi.in azimuth $249^{\circ}40'39''$.

X-1,948,610.82 Y-274,153.42 El. 1254.109 ft.

13-C-16 TT 1938; Kingfisher Co., 1.5 mi.N.& 12.0 mi.W.of Okarche; 77.5 ft.S.& 159.0 ft.E.of approx. $W\frac{1}{2}$ cor.sec.29,T15N,R9W; on top of prominent hay stack butte; 14.0 ft.S.of N.brow. OSCC Marker. C/L chimney on 1 story farmhouse about 0.5 mi.in azimuth $174^{\circ}05'59''$; C/L chimney on house about 1.5 mi.in azimuth $193^{\circ}44'07''$; C/L Okarche W.T.in azimuth $276^{\circ}33'28''$.

X-1,944,018.54 Y-271,847.14 El. 1370.613 ft.

13-C-17 TT 1938; Kingfisher Co., 2.5 mi.N.& 12.0 mi.W.of Okarche; 2.0 ft.S.& 33.0 ft.W.of approx. $E\frac{1}{4}$ cor.sec.19,T15N,R9W; 4.0 ft.W.of W. R/W fence; 2.0 ft.S.of cross fence. OSCC Marker. C/L chimney on brick farmhouse about 0.75 mi.in azimuth $126^{\circ}50'01''$; C/L chimney on farmhouse about 0.5 mi.in azimuth $219^{\circ}24'26''$; C/L apex Okarche W.T.in azimuth $281^{\circ}20'01''$.

X-1,943,847.56 Y-277,179.54

13-C-18 TT 1938; Blaine Co., 2.0 mi.N.& 13.5 miles W.of Okarche; 890.0 ft.N.& 593.0 ft.W.of approx.SE.cor.sec.24,T15N,R10W; atop prominent hay stack butte near N.end. OSCC Marker. C/L chimney on 2 story house about 2 mi.in azimuth $162^{\circ}33'52''$; C/L Kingfisher W.T.in azimuth $244^{\circ}48'20''$; C/L Okarche W.T.in azimuth $278^{\circ}57'59''$.

X-1,938,103.31 Y-275,432.99 El. 1288.216 ft.

13-C-19 TT 1938; Blaine Co., 4.0 mi.N.& 14.2 mi.W.of Okarche; 418.0 ft.S.& 730.0 ft.W.of approx.NE.cor.sec.14,T15N,R10W; atop prominent & most northerly table butte; 60.0 ft.S.of N.brow. OSCC Marker. C/L chimney on 2 story house about 1.5 mi.in azimuth $132^{\circ}55'22''$; C/L Kingfisher W.T. in azimuth $251^{\circ}32'26''$; C/L Okarche W.T.in azimuth $285^{\circ}18'19''$.

X-1,932,681.52 Y-284,781.50 El. 1389.306 ft.

13-C-20 TT 1938; Blaine Co., 1.6 mi.N.& 15.0 mi.W.of Okarche; approx. 1600.0 ft.N.& 22.0 ft.E.of approx. $W\frac{1}{2}$ cor.sec.26,T15N,R10W; 2.0 ft. W.of E.R/W fence; set on top of sand hill in black jack grove. OSCC Marker. C/L chimney on farmhouse about 1 mi.in azimuth $01^{\circ}41'24''$; C/L King-

- fisher W.T. in azimuth $245^{\circ}53'46''$.
 X-1,928,099.81 Y-272,844.91 El. 1531.652 ft.
 13-C-21 TT 1938; Blaine Co., 1.4 mi.N. & 15.8 mi.W. of Okarche;
 approx. 100.0 ft.S. & 1980.0 ft.W. of approx. $E\frac{1}{4}$ cor. sec. 27, T15N, R10W; 0.4
 mi.N. of W.L. Wadley shack on S. line of said sec., 138.0 ft.E. of cross
 fence at W. margin of black jack woods. OSCC Marker. C/L N. gable on 1
 story farmhouse about 1.5 mi. in azimuth $145^{\circ}58'57''$; C/L chimney on a
 schoolhouse about 0.5 mi. in azimuth $320^{\circ}07'07''$.
 X-1,926,692.38 Y-271,446.30 El. 1549.239 ft.
 13-C-22 TT 1938; Blaine Co., 1.0 mi.N. & 16.0 mi.W. of Okarche; 300.0
 ft.E. & 300.0 ft.N. of approx. SW. cor. sec. 27, T15N, R10W; 2.0 ft.E. of cross
 fence on top of sand knoll NW. of farm shack. OSCC Marker. C/L W. gable
 on tin barn about 0.5 mi. in azimuth $71^{\circ}31'47''$; C/L N. gable on 1 story
 house about 0.25 mi. in azimuth $225^{\circ}21'37''$.
 X-1,923,080.88 Y-269,771.51 El. 1530.160 ft.
 13-C-23 TT 1938; Blaine Co., 1.0 mi.N. & 16.9 mi.W. of Okarche; 26.0
 ft.N. & 800.0 ft.E. of approx. NW. cor. sec. 33, T15N, R10W; 3.0 ft.N. of S.R/W
 fence; OSCC Marker. C/L W. gable on new farmhouse about 0.75 mi. in azi-
 muth $77^{\circ}58'52''$; C/L steeple on Indian Church about 4 mi. in azimuth 90°
 $23'52''$.
 X-1,918,505.83 Y-269,356.71 El. 1530.919 ft.
 13-C-24 TT 1938; Blaine Co., 1.0 mi.N. & 17.8 mi.W. of Okarche; 9.0
 mi.N. & 1.25 mi.E. of Geary; 30.0 ft.N. of approx. SW. cor. sec. 29, T15N, R10W;
 3.0 ft.S. of N.R/W fence. OSCC Marker. C/L largest W.T. in Geary in azi-
 muth $13^{\circ}51'35''$; C/L steeple on Indian Church about 2.5 mi. in azimuth 90°
 $22'35''$; C/L S. gable on 1 story farmhouse about 2 mi. in azimuth $224^{\circ}38'$
 $15''$.
 X-1,913,569.92 Y-269,375.79 El. 1506.451 ft.
 13-C-25 TT 1938; Blaine Co., 9.0 mi.N. & 0.5 mi.E. of Geary; 12.0 ft.
 S. & 220.0 ft.W. of approx. $N\frac{1}{4}$ cor. sec. 31, T15N, R10W. OSCC Marker set in W.
 end of S. hdw. of 5 x 10 ft. double barreled masonry culvert. C/L steeple
 on Indian Church about 1.5 mi. in azimuth $90^{\circ}47'32''$; C/L W. gable on 2
 story farmhouse about 1.5 mi. in azimuth $315^{\circ}27'22''$.
 X-1,909,589.08 Y-269,362.99 El. 1437.651 ft.
 13-C-26 TT 1938; Blaine Co., 9.0 mi.N. & 1.0 mi.W. of Geary; 69.0 ft.
 N. & 336.0 ft.W. of approx. SE. cor. sec. 26, T15N, R11W; 1.5 ft.E. of W. church
 yard fence. OSCC Marker. C/L S. gable on large barn about 1.5 mi. in azi-
 muth $42^{\circ}23'23''$; C/L chimney on 2 story farmhouse about 0.25 mi. in azi-
 muth $170^{\circ}23'33''$; C/L chimney on 2 story house about 1 mi. in azimuth 293°
 $08'13''$.
 X-1,901,540.42 Y-269,436.01 El. 1443.914 ft.
 13-C-27 TT 1938; Blaine Co., 9.0 mi.N. & 1.9 mi.W. of Geary; 25.0 ft.
 S. & 731.0 ft.E. of approx. NW. cor. sec. 35, T15N, R11W; 3.0 ft.N. of S.R/W fence
 in range of E. end of barn owned by Arthur Walker. OSCC Marker.
 X-1,897,345.17 Y-269,365.81 El. 1453.416 ft.
 13-C-28 TT 1938; Blaine Co., 9.0 mi.N. & 3.5 mi.W. of Geary; 0.5 mi.
 N. of Greenfield; 12.0 ft.N. & 27.0 ft.W. of approx. $S\frac{1}{4}$ cor. sec. 28, T15N, R11W;
 37.0 ft.W. of W. end of N. wingwall of conc. bridge in N. shoulder of roadway.
 OSCC Marker. C/L N. gable on Greenfield brick school about 0.5 mi. in
 azimuth $03^{\circ}07'14''$; C/L E. gable on new house about 0.25 mi. in azimuth
 $125^{\circ}44'52''$; C/L largest W.T. in Geary in azimuth $338^{\circ}53'07''$.
 X-1,888,665.20 Y-269,453.80 El. 1452.725 ft.
 13-C-29 TT 1938; Blaine Co., 0.5 mi.N. & 1.0 mi.W. of Greenfield;
 near approx. $S\frac{1}{4}$ cor. sec. 29, T15N, R11W; 36.0 ft.E. of C/L US. Hwy. #270. OSCC
 Marker set in angle of S. hdw. of side drain of said hwy. C/L S. gable on
 farmhouse about 0.11 mi. in azimuth $135^{\circ}04'46''$; C/L N. gable on tin roof
 barn about 1 mi. in azimuth $337^{\circ}54'46''$.
 X-1,883,475.24 Y-269,459.08 El. 1478.385 ft.
 14-C-8 TT 1934; Junction Station. See Traverse 14-C.
 13-C-30 TT 1938; Blaine Co., 1.5 miles N. & 0.75 mi.W. of Greenfield;
 near approx. $W\frac{1}{2}$ cor. sec. 29, T15N, R11W; atop prominent bluff at W. margin of

- N.Canadian River Valley; 24.0 ft.W.of E.brow; 6.0 ft.N.of S.brow; near approx.SE.cor.of bluff. OSCC Marker. C/L E.gable on barn about 1.5 mi. in azimuth $44^{\circ}17'12''$; C/L W.gable on T-shaped farmhouse about 5 mi. in azimuth $271^{\circ}52'42''$; C/L largest W.T.in Geary in azimuth $333^{\circ}33'07''$.
 X-1,882,088.15 Y-273,617.06 El. 1669.453 ft.
- 13-C-31 TT 1938; Blaine Co., 3.5 mi.W.& 1.0 mi.N.of Greenfield; 25.0 ft.N.& 25.0 ft.W.of approx. $S\frac{1}{2}$ cor.sec.25,T15N,R12W; 3.5 ft.S.of N. R/W fence. OSCC Marker. C/L W.chimney on 1 story farmhouse about 2 mi. in azimuth $56^{\circ}01'14''$; C/L steeple on church about 5 mi.in azimuth $270^{\circ}13'29''$.
 X-1,872,936.34 Y-269,579.85 El. 1578.205 ft.
- 13-C-32 TT 1938; Blaine Co., 4.7 mi.W.& 1.0 mi.N.of Greenfield; 967.0 ft.E.& 25.0 ft.S.of approx.SW.cor.sec.35,T15N,R12W; 1.5 ft.N.of S. R/W fence on top of hill. OSCC Marker. C/L W.chimney on farmhouse about 0.75 mi.in azimuth $13^{\circ}41'39''$; C/L E.gable on 2 story farmhouse about 1.5 mi.in azimuth $89^{\circ}46'59''$; C/L W.gable on barn about 0.5 mi.in azimuth $267^{\circ}14'19''$.
 X-1,866,049.33 Y-269,544.46 El. 1651.496 ft.
- 13-C-33 TT 1938; Blaine Co., 5.4 mi.W.& 1.0 mi.N.of Greenfield; 30.0 ft.N.& 911.0 ft.W.of approx. $S\frac{1}{2}$ cor.sec.27,T15N,R12W; 4.0 ft.S.of N. R/W fence. OSCC Marker. C/L chimney on sq.house about 2 mi.in azimuth $74^{\circ}16'24''$; C/L E.gable on barn about 2 mi.in azimuth $140^{\circ}07'04''$; C/L W. chimney (top of house just showing) on two chimney house about 1.25 mi. in azimuth $330^{\circ}26'34''$.
 X-1,861,547.90 Y-269,606.62 El. 1648.666 ft.
- 13-C-34 TT 1938; Blaine Co., 6.0 mi.W.of Greenfield; 10.0 ft.S. & 1.5 ft.W.of approx. $E\frac{1}{2}$ cor.sec.33,T15N,R12W; 1.5 ft.W.& 1.0 ft.S.of brace post in W.R/W fence. OSCC Marker. C/L chimney on farmhouse about 0.25 mi. in azimuth $16^{\circ}39'30''$; C/L E.gable on 2 story farmhouse about 0.75 mi.in azimuth $142^{\circ}19'54''$; C/L W.chimney on 2 chimney house about 1.5 mi. in azimuth $290^{\circ}57'54''$.
 X-1,859,760.16 Y-265,931.32 El. 1691.737 ft.
- 13-C-35 TT 1938; Blaine Co., 7.25 mi.W.of Greenfield; 25.0 ft.S.& 1185.0 ft.W.of approx.NE.cor.sec.5,T14N,R12W; 2.0 ft.N.of S.R/W fence in range of cross fence N., 49.0 ft.S.of N.R/W fence. OSCC Marker. C/L chimney on sq.top house about 0.5 mi.in azimuth $186^{\circ}42'35''$; C/L chimney on house about 1.25 mi.in azimuth $287^{\circ}13'35''$; C/L N.gable on barn about 1 mi.in azimuth $334^{\circ}49'55''$.
 X-1,853,371.42 Y-264,304.45 El. 1761.737 ft.
- 13-C-36 TT 1938; Blaine Co., 8.5 mi.W.of Greenfield; 15.0 ft.N.& 303.0 ft.W.of approx. $S\frac{1}{2}$ cor.sec.31,T15N,R12W; set in range of N-S fence; 39.9 ft.N.of S.R/W fence; 121.7 ft.N.& 156.0 ft.E.of NE.cor.of farmhouse on S.side of road; 101.0 ft.NE.of mulberry tree. OSCC Marker set 16 in. below surface in N.edge of road. C/L steeple on church about 0.75 mi.in azimuth $228^{\circ}56'56''$; C/L N.gable on farmhouse about 1 mi.in azimuth $320^{\circ}19'30''$.
 X-1,846,277.47 Y-264,381.02 El. 1768.038 ft.
- 13-C-37 TT 1938; Blaine Co., 10.5 mi.W.of Greenfield; 46.0 ft.S.& 184.0 ft.E.of approx. $N\frac{1}{2}$ cor.sec.2,T14N,R13W; 15.5 ft.S.of S.R/W fence; 74.0 ft.E.of N-S E.yard fence. OSCC Marker. C/L S.gable on 1 story house about 1 mi.in azimuth $125^{\circ}38'19''$; C/L comb of roof on house about 2 mi. in azimuth $269^{\circ}39'59''$.
 X-1,836,352.22 Y-264,391.66 El. 1751.606 ft.
- 13-C-38 TT 1938; Blaine Co., 6.0 mi.S.& 4.6 mi.E.of Fay; 11.4 mi. W.of Greenfield; 28.0 ft.N.& 630.0 ft.E.of approx. $S\frac{1}{2}$ cor.sec.34,T15N, R13W; 2.0 ft.S.of N.R/W fence just E.of top of hill. OSCC Marker. C/L N. gable on tin roof barn about 0.5 mi.in azimuth $39^{\circ}58'14''$; C/L Thomas W. T.in azimuth $100^{\circ}36'49''$; C/L S.gable on house about 0.5 mi.in azimuth $204^{\circ}59'49''$.
 X-1,831,519.12 Y-264,489.61 El. 1710.704 ft.
- 13-C-39 TT 1938; Blaine Co., 5.8 mi.S.& 3.2 mi.E.of Fay; 224.0 ft.

S. of approx. center SW $\frac{1}{4}$ sec. 33, T15N, R13W; 3.0 ft. W. of N-S fence in pasture; OSCC Marker. C/L N. gable on 2 story house about 5 mi. in azimuth 21°09'43"; C/L 2 story house about 3 mi. in azimuth 84°28'08"; C/L chimney (roof just showing) on farmhouse about 2.5 mi. in azimuth 261°46'38".
X-1, 824, 291.48 Y-265, 813.44 El. 1609.402 ft.

13-C-40 TT 1938; Blaine Co., 5.1 mi. S. & 3.0 mi. E. of Fay; 565.0 ft. S. & 28.0 ft. W. of approx. NE. cor. sec. 32, T15N, R13W; 3.0 ft. S. & 3.0 ft. E. of NE. cor. Whirlwind cemetery; on left brow of S. Canadian River Valley. OSCC Marker. C/L Thomas W.T. in azimuth 96°48'06"; C/L NW. cor. chimney on house about 1.25 mi. in azimuth 186°35'36"; C/L W. end gable on house about 2 mi. in azimuth 268°03'21".

X-1, 822, 981.31 Y-269, 165.66 El. 1620.020 ft.

13-C-41 TT 1938; Blaine Co., 4.2 mi. S. & 3.0 mi. E. of Fay; 1000.0 ft. S. & 16.0 ft. E. of approx. NW. cor. sec. 28, T15N, R13W; 1.0 ft. E. of E.R/W fence. OSCC Marker. C/L Thomas W.T. in azimuth 90°35'29"; C/L NW. cor. chimney on farmhouse about 0.25 mi. in azimuth 208°33'16"; C/L W. gable on 2 story farmhouse about 2.0 mi. in azimuth 291°18'16".

X-1, 823, 070.72 Y-274, 079.39 El. 1669.239 ft.

13-C-42 TT 1938; Blaine Co., 3.0 mi. S. & 2.7 mi. E. of Fay; 930.0 ft. E. & 28.0 ft. N. of approx. S $\frac{1}{4}$ cor. sec. 17, T15N, R13W; 3.0 ft. N. of N.R/W fence of Co. road; 2.0 ft. W. of cross fence N. OSCC Marker. C/L Thomas W.T. in azimuth 82°20'53"; C/L belfry on school about 1 mi. in azimuth 171°13'43"; C/L SW. cor. chimney on house about 1 mi. in azimuth 336°08'48".

X-1, 821, 379.24 Y-280, 389.45 El. 1700.239 ft.

13-C-43 TT 1938; Blaine Co., 2.0 mi. S. & 1.07 mi. E. of Fay; 409.0 ft. E. of approx. S $\frac{1}{4}$ cor. sec. 7, T15N, R13W; 32.0 ft. N. of C/L sec. line; 1.5 ft. S. of R/W fence. OSCC Marker. C/L Thomas W.T. in azimuth 73°29'54"; C/L belfry on school about 0.75 mi. in azimuth 272°54'42".

X-1, 815, 612.95 Y-285, 736.66 El. 1701.389 ft.

13-C-44 TT 1938; Custer Co., 2.0 mi. S. & 0.5 mi. E. of Fay; 252.0 ft. E. & 33.0 ft. S. of approx. N $\frac{1}{4}$ cor. sec. 13, T15N, R14W; 2.5 ft. N. of S.R/W fence. OSCC Marker. C/L NW. cor. chimney on farmhouse about 2.0 mi. in azimuth 32°48'37"; C/L Thomas W.T. in azimuth 70°52'55"; C/L S. gable on barn about 2.5 mi. in azimuth 130°04'02".

X-1, 810, 209.19 Y-285, 754.43 El. 1672.145 ft.

13-C-45 TT 1938; Custer Co., 2.0 mi. S. & 0.25 mi. E. of Fay; 25.0 ft. N. & 17.0 ft. E. of approx. SE, SW. sec. 12, T15N, R14W; 17.0 ft. E. & 2.5 ft. S. of cor. post in N.R/W fence & 1/16 fence to N. OSCC Marker. C/L NW. cor. of chimney on farmhouse about 2 mi. in azimuth 27°05'57"; C/L S. gable on barn about 2 mi. in azimuth 132°45'52".

X-1, 808, 636.58 Y-285, 816.58 El. 1639.306 ft.

15-D-5 TT 1935; Junction Station. See Traverse 15-D.

13-C Crosscut Line

15-C-9 TT 1935 to 15-F-29 TT 1939

15-C-9 TT 1935; Junction Station. See Traverse 15-C.

13-C-11-A TT 1939; Kingfisher Co., 8.0 mi. W. & 2.5 mi. N. of Okarche; 30.0 ft. W. of approx. E $\frac{1}{4}$ cor. sec. 23, T15N, R9W; 1.0 ft. E. of W.R/W fence & in range of $\frac{1}{4}$ sec. fence line to W. OSCC Marker. C/L chimney on 2 story house about 1.25 mi. in azimuth 39°53'45". C/L belfry on Cooper schoolhouse about 1.5 mi. in azimuth 163°04'57"; C/L chimney on 2 story flat top house about 1.25 mi. in azimuth 289°52'12".

X-1, 964, 910.54 Y-277, 238.19 El. 1194.146 ft.

13-C-11-B TT 1939; Kingfisher Co., 4.85 mi. N. & 8.0 mi. W. of Okarche; 485.0 ft. N. & 31.0 ft. E. of approx. W $\frac{1}{4}$ cor. sec. 12, T15N, R9W; 2.0 ft. W. of E. R/W fence; 172.0 ft. N. of R.E.A. pole opposite C/L of drive to farmhouse of V.P. Rund. OSCC Marker. C/L W. chimney on 2 story house about 0.75 mi. in azimuth 244°55'14"; C/L belfry on Cooper schoolhouse about 0.5 mi. in azimuth 39°57'46"; C/L chimney on house about 2 mi. in azimuth 158°15'16".

X-1, 964, 988.15 Y-288, 283.84 El. 1195.194 ft.

13-C-11-C TT 1939; Kingfisher Co., 6.25 mi.N. & 8.0 mi.W. of Okarche; 1219.0 ft.N. & 31.0 ft.E. of approx.SW.cor.sec.25, T16N, R9W; 2.0 ft.W. of E. R/W fence. OSCC Marker.

X-1, 965, 033.91 Y-302, 192.45 El. 1160.595 ft.

15-F-29 TT 1939; Junction Station. See Traverse 15-F.

Traverse 14-A; Canadian Co.
Caddo Tri. Sta. to 13-A-12 TT 1934
North Projection

Caddo Tri. Sta. (Canadian Co., W. Bowie, 1902) Approx. 7.0 mi. a little W. of N. from El Reno; in sec. 17, T13N, R7W; on highest point of land in the Concho Indian School Reservation; approx. 600.0 m. (1,968.0 ft.) from Caddo School. Surface & underground marks are iron nails in terra-cotta pipes filled with & set in conc., notes 17 & 19.

X-2, 002, 426.95 Y-221, 783.07 El. 1429.020 ft.

Reference mark is nail in terra-cotta pipe filled with & set in conc., note 21, on sand dune at edge of woods, 295.5 m. (969.0 ft.) from sta. in azimuth $148^{\circ}26'09''$.

C/L Southwestern Reformatory W.T. about 5 mi. in azimuth $04^{\circ}36'52''$; C/L E. W.T. at Ft. Reno in azimuth $34^{\circ}52'44''$; C/L Concho W.T. in azimuth $150^{\circ}02'46''$; C/L Okarche W.T. in azimuth $184^{\circ}47'24''$.

BM; Canadian Co., located in approx. NW. cor. NE. NW. sec. 18, T13N, R7W; 35.0 ft. N. of C/L E-W sec. line road on top of hill at turn of road; 10.0 ft. from C/L road N. to Concho Indian School. El. 1385.593 ft.

14-A-1 TT 1934; Canadian Co., approx. 0.5 mi. N. & 6.5 mi. E. of Calumet; in approx. SW. cor. SE. sec. 12, T13N, R8W; 1055.48 ft. W. of C/L main track of CRI&P RR; 2.0 ft. E. of fence line & 21.0 ft. N. of C/L sec. road inside fence on hill. USC&GS & State Marker. C/L US. Southwestern Reformatory W.T. in azimuth $02^{\circ}27'30''$.

X-1, 998, 987.40 Y-221, 824.20 El. 1415.196 ft.

14-A-2 TT 1934; Canadian Co., 0.5 mi. N. & 6.25 mi. E. of Calumet; 490.3 ft. E. & 28.0 ft. N. of brass marker at approx. SW. cor. sec. 12, T13N, R8W; 2.0 ft. S. of E-W sec. line fence; 567.0 ft. E. of SE. cor. of E. E. Walters house. USC&GS & State Marker. C/L Southwestern Reformatory W.T. in azimuth $358^{\circ}08'40''$.

X-1, 996, 924.46 Y-221, 824.73 El. 1437.691 ft.

14-A-3 TT 1934; Canadian Co., 0.5 mi. N. & 5.5 mi. E. of Calumet; 25.2 ft. S. & 200.2 ft. E. of approx. $N\frac{1}{2}$ cor. sec. 14, T13N, R8W; 20.0 ft. W. & 65.0 ft. N. of NW. cor. of Floyd Emberson's home. USC&GS & State Marker. C/L Concho W.T. in azimuth $255^{\circ}40'16''$.

X-1, 993, 881.55 Y-221, 766.57 El. 1427.318 ft.

14-A-4 TT 1934; Canadian Co., approx. 1.5 mi. N. & 5.0 mi. E. of Calumet; 39.0 ft. N. & 338.0 ft. E. of approx. SW. cor. sec. 2, T13N, R8W; 41.8 ft. N. & 63.0 ft. W. of SE. cor. of Mountain View School; 14.0 ft. N. & 3.0 ft. W. of SE. cor. of Mountain View School ground. USC&GS & State Marker. C/L Ft. Reno easterly W.T. in azimuth $03^{\circ}46'19''$.

X-1, 991, 383.09 Y-227, 097.41 El. 1435.808 ft.

14-A-5 TT 1934; Canadian Co., approx. 2.0 mi. N. & 5.0 mi. E. of Calumet; 472.0 ft. E. & 252.5 ft. S. of approx. $W\frac{1}{2}$ cor. sec. 2, T13N, R8W; 450.0 ft. NE. of Olivet Church in field on top of ridge back of parsonage. USC&GS & State Marker. C/L chimney on Olivet Church in azimuth $64^{\circ}37'37''$; C/L Okarche W.T. in azimuth $202^{\circ}22'01''$.

X-1, 991, 521.00 Y-229, 463.65 El. 1424.799 ft.

14-A-6 TT 1934; Canadian Co., 3.0 mi. N. & 5.0 mi. E. of Calumet; 27.0 ft. W. & 199.6 ft. S. of approx. $E\frac{1}{2}$ cor. sec. 34, T14N, R8W; on W. side of N-S sec. line road on top of hill. USC&GS & State Marker. C/L Concho W.T. in azimuth $317^{\circ}21'28''$; C/L chimney on Olivet Church in azimuth $359^{\circ}24'11''$.

X-1, 991, 061.67 Y-234, 834.62 El. 1357.263 ft.

14-A-7 TT 1934; Canadian Co., 3.0 mi. N. & 4.0 mi. E. of Calumet; 864.0

- ft.E.& 7.0 ft.N.of approx. $W\frac{1}{2}$ cor.sec.34,T14N,R9W; on top of hill approx. 200.0 ft.S.of lone black jack. USC&GS & State Marker.
 X-1,986,688.63 Y-235,050.31 El. 1411.904 ft.
 14-A-8 TT 1934; Canadian Co., 4.0 mi.N.& 3.0 mi.E.of Calumet; 266.0 ft.S.& 25.2 ft.E.of approx. $W\frac{1}{2}$ cor.sec.28,T14N,R9W; outside E.fence on top of hill. USC&GS & State Marker. C/L Okarche W.T.in azimuth 225°52' 16".
 X-1,980,556.94 Y-240,015.19 El. 1417.042 ft.
 14-A-9 TT 1934; Canadian Co., 4.5 mi.N.& 2.33 mi.E.of Calumet; 871.0 ft.W.& 29.0 ft.S.of approx. $N\frac{1}{2}$ cor.sec.29,T14N,R9W; 2.0 ft.N.of S. R/W fence on top of hill. USC&GS & State Marker.
 X-1,977,015.45 Y-242,874.42 El. 1380.905 ft.
 14-A-10 TT 1934; Canadian Co., 4.5 mi.N.& 0.75 mi.E.of Calumet; 1242.0 ft.W.& 34.0 ft.N.of approx.SE.cor.sec.24,T14N,R9W; 4.0 ft.N.of fence line on top of hill. USC&GS & State Marker.
 X-1,968,809.24 Y-242,955.81 El. 1428.112 ft.
 14-A-11 TT 1934; Canadian Co., approx. 4.5 mi.N.of Calumet; 38.5 ft.E.& 34.5 ft.S.of approx.NW.cor.sec.25,T14N,R9W; 5.0 ft.SE.of cor.of fence post; across road from filling station inside fence cor. USC&GS & State Marker.
 X-1,964,896.83 Y-242,888.75 El. 1450.204 ft.
 14-A-17 Tri. 1937; Canadian Co., 4.5 mi.N.& 0.6 mi.W.of Calumet; in approx.SE.SW.sec.23,T14N,R9W; 533.0 ft.W.& 30.5 ft.N.of approx. $S\frac{1}{2}$ cor.sec.23; 4.0 ft.N.of N.R/W fence about 550.0 ft.NE.of sq.top farm bungalow. OSCC Marker.
 X-1,961,681.34 Y-242,943.99 El. 1447.368 ft.
 Johnson Tri.Sta., Junction Station. See Oklahoma Triangulation.
 (Note: This section of the 14-A line closed into Oklahoma Triangulation. Traverse 14-A from station 12 starts at 14-A-11 & runs to 13-A-12).
 14-A-12 TT 1934; Canadian Co., 4.0 mi.N.of Calumet; 36.5 ft.W.& 4.4 ft.S.of approx. $E\frac{1}{2}$ cor.sec.26,T14N,R9W; 3.0 ft.W.of W.R/W fence; 4.0 ft.SW.of cor.fence post. USC&GS & State Marker.
 X-1,964,818.80 Y-240,283.35 El. 1429.729 ft.
 14-A-13 TT 1934; Canadian Co., 3.17 mi.N.of Calumet; 27.0 ft.E. & 714.0 ft.N.of approx. $W\frac{1}{2}$ cor.sec.36,T14N,R9W; 3.0 ft.W.of E.fence line on top of rise; 50.5 ft.S.of rural tel.pole. USC&GS & State Marker.
 X-1,964,877.69 Y-235,734.48 El. 1401.658 ft.
 14-A-14 TT 1934; Canadian Co., 2.6 mi.N.of Calumet; 439.0 ft.N.& 64.0 ft.E.of approx.SW.cor.sec.36,T14N,R9W; 34.0 ft.E.of fence line on top of sand hill. USC&GS & State Marker.
 X-1,964,912.14 Y-232,798.97 El. 1375.146 ft.
 EM; Canadian Co., 1.0 mi.N.of Calumet; rivet set in conc.on W.end of N.abutment headwall on N.Canadian River Bridge. El. 1369.318 ft.
 14-A-15 TT 1934; Canadian Co., approx. 1.17 mi.N.of Calumet; 748.0 ft.N.& 38.0 ft.W.of approx. $E\frac{1}{2}$ cor.sec.11,T13N,R9W; 3.0 ft.S.& 2.0 ft.W. of cor.post of W.R/W fence. USC&GS & State Marker.
 X-1,964,774.29 Y-225,197.84 El. 1373.248 ft.
 14-A-16 TT 1934; Canadian Co., In Calumet; in sec.14,T13N,R9W; 532.0 ft.S.of C/L US.Hwy.#270, Calumet to Geary; in NW.cor.of Lyon Gin Company's yard under light line. USC&GS & State Marker.
 X-1,963,148.87 Y-219,961.02 El. 1385.802 ft.
 13-A-12 TT 1934; Junction Station. See Traverse 13-A.

Traverse 14-B; Canadian, Blaine, & Custer Co's.

13-A-6 TT 1934 to 21-F-19 TT 1935

North Projection

- 13-A-6 TT 1934; Junction Station. See Traverse 13-A.
 14-B-1 TT 1934; Canadian Co., 4.0 mi.S.& 0.25 mi.W.of Calumet; 47.0 ft.N.& 650.0 ft.E.of approx.SW.cor.sec.2,T12N,R9W; 47.0 ft.N.of C/L US.

- Hwy.#66; 400.0 ft.E.& 0.5 mi.S.of Red-Rock Church. USC&GS & State Marker.
 X-1,961,533.26 Y-195,494.42 El. 1505.231 ft.
- 14-B-2 TT 1934; Canadian Co., 4.0 mi.S.& 2.5 mi.W.of Calumet; 48.0 ft.S.& 46.5 ft.W.of approx.NE.cor.sec.8,T12N,R9W; approx. 290.0 ft.N. & 56.0 ft.E.of NE.cor.of Robert Cecil's farmhouse. USC&GS & State Marker.
 X-1,950,378.21 Y-195,377.87 El. 1581.025 ft.
- 14-B-3 TT 1934; Canadian Co., 4.0 mi.S.& 3.5 mi.W.of Calumet; 807.0 ft.E.& 45.0 ft.S.of approx.NW.cor.sec.8,T12N,R9W; 45.0 ft.S.of C/L US Hwy.#66; 2.7 ft.N.of S.R/W fence on top of rise. USC&GS & State Marker.
 X-1,946,047.37 Y-195,353.99 El. 1541.338 ft.
- 14-B-4 TT 1934; Canadian Co., 4.0 mi.S.& 5.0 mi.W.of Calumet; 725.0 ft.W.& 48.0 ft.S.of approx.N $\frac{1}{4}$ cor.sec.12,T12N,R10W; 50.0 ft.S.of C/L US Hwy.#66; 2.0 ft.N.of S.R/W fence & in range of cross fence S., 100.0 ft. S.& 68.5 ft.W.of SW,porch pillar of Sitton Service Station. USC&GS & State Marker. C/L Hinton W.T.in azimuth 61 $^{\circ}$ 21'11"; C/L Sunnyhill School house in azimuth 164 $^{\circ}$ 31'28"; C/L windmill about 6.7 miles in azimuth 311 $^{\circ}$ 49'34".
 X-1,936,573.49 Y-195,333.54 El. 1534.722 ft.
- 14-B-5 TT 1934; Canadian Co., 4.0 mi.S.& 6.5 mi.W.of Calumet; 53.0 ft.S.& 68.0 ft.W.of intersection line N-S between sec.10 & 11,T12N,R10W; and the C/L US.Hwy.#66; 61.0 ft.N.& 168.0 ft.W.of NW.cor.of filling sta. on S.side of hwy., 3.0 ft.N.& 35.0 ft.W.of cedar tel.pole at NE.cor.of sec.10. USC&GS & State Marker. C/L E.gable on 2 story house about 0.15 mi.in azimuth 80 $^{\circ}$ 43'53"; C/L S.gable on house about 0.25 mi.in azimuth 170 $^{\circ}$ 59'13"; C/L gable on E.end of schoolhouse about 6 mi.in azimuth 357 $^{\circ}$ 12'26".
 X-1,929,341.86 Y-195,346.40 El. 1559.315 ft.
- 14-B-6 TT 1934; Canadian Co., 4.0 mi.S.& 7.17 mi.W.of Calumet; in approx. SW $\frac{1}{4}$ sec.3,T12N,R10W; 3556.0 ft.NW.of approx.NE.cor.sec.10,T12N,R10W; 28.0 ft.W.of C/L US.Hwy.#66; on top of SW.bank of third cut from 14-B-5. USC&GS & State Marker. C/L Bridgeport W.T.in azimuth 93 $^{\circ}$ 33'59"; C/L smallest W.T.at Geary in azimuth 145 $^{\circ}$ 26'24"; C/L S.gable on house about 0.25 mi.in azimuth 271 $^{\circ}$ 31'19"; C/L E.gable on house about 0.5 mi. in azimuth 313 $^{\circ}$ 50'49".
 X-1,926,214.11 Y-197,037.12 El. 1585.034 ft.
- 14-B-7 TT 1934; Canadian Co., 4.0 mi.S.& 7.5 mi.W.of Calumet; in approx. SW $\frac{1}{4}$ sec.3,T12N,R10W; 4964.0 ft.NW.of approx.NE.cor.sec.10,T12N,R10W; 28.0 ft.NE.of C/L US.Hwy.#66; 2.0 ft.SW.of NE.R/W fence. USC&GS & State Marker. C/L Hinton W.T.in azimuth 50 $^{\circ}$ 19'38"; C/L flagpole on steeple on Canyonview schoolhouse about 5 mi.in azimuth 168 $^{\circ}$ 47'38"; C/L center chimney on house about 1.5 mi.in azimuth 235 $^{\circ}$ 21'54".
 X-1,925,055.12 Y-197,836.14 El. 1574.073 ft.
- 14-B-8 TT 1934; Canadian Co., 3.0 mi.S.& approx. 8.5 mi.W.of Calumet; 123.0 ft.S.& 25.5 ft.W.of approx.NE.cor.sec.5,T12N,R10W; 50.0 ft. N.of C/L US.Hwy.#66; on W.side of N-S road, inside fence cor. USC&GS & State Marker. C/L gable on E.end of schoolhouse about 6 mi.in azimuth 343 $^{\circ}$ 54'12".
 X-1,918,912.66 Y-200,695.96 El. 1501.053 ft.
- 14-B-9 TT 1934; Canadian Co., 3.0 mi.S.& 9.1 mi.W.of Calumet; 613.0 ft.E.& 621.0 ft.N.of approx.N $\frac{1}{4}$ cor.sec.5,T12N,R10W; 77.0 ft.S.of C/L US Hwy.#66 on top of S.bank of deep cut at top of grade crossing coming out of S.Canadian River bottom toward the E.on hwy., 2.5 ft.N.of S.R/W fence on N-S line. USC&GS & State Marker. C/L Hinton W.T.in azimuth 37 $^{\circ}$ 41'19"; C/L Bridgeport W.T.in azimuth 88 $^{\circ}$ 25'54"; C/L flagpole on steeple on Canyonview schoolhouse in azimuth 219 $^{\circ}$ 04'44".
 X-1,915,686.42 Y-200,173.86 El. 1587.689 ft.
- 14-B-10 TT 1934 = 13-A-34 TT 1934; See Traverse 13-A.
 (Note: This line is concurrent from 13-A-34 to 13-A-27).
 13-A-27 TT 1934; Junction Station. See Traverse 13-A.
 14-B-11 TT 1937; Blaine Co., 2.5 mi.W.of Geary; 0.3 mi.E.of Good Hope schoolhouse; near approx.NW.cor.NE.NW.sec.10,T15N,R11W; 28.0 ft.S.

of C/L Co.road & 2.0 ft.N.of S.R/W fence; 38.0 ft.E.of E.gate post entrance to pasture. OSCC Marker. C/L apex Geary's largest W.T.in azimuth $262^{\circ}16'35''$.

X-1,892,144.04 Y-227,264.30 El. 1562.339 ft.

14-B-12 TT 1937; Blaine Co., 3.5 mi.W.of Geary; 0.7 mi.W.of Good Hope Schoolhouse; near approx.SW.cor.SE.SW.sec.4,T13N,R11W; 24.0 ft.N. of C/L Co.road; 2.0 ft.S.of N.R/W fence; 25.0 ft.W.of W.gate post entrance to cultivated field. OSCC Marker.

X-1,887,383.97 Y-227,320.93 El. 1593.801 ft.

14-B-13 TT 1937; Blaine Co., 5.2 mi.W.of Geary; approx. 1700.0 ft. W.& 24.0 ft.S.of approx.NE.cor.sec.7,T13N,R11W; 2.5 ft.N.of S.R/W fence; 200.0 ft.E.of cross fence S., 200.0 ft.E.of 18 in.diam.corrugated pipe culvert. OSCC Marker. C/L E.gable on Pleasant Ridge schoolhouse about 2 mi.in azimuth $59^{\circ}12'54''$; C/L apex on Geary's largest W.T.in azimuth $266^{\circ}19'52''$.

X-1,879,252.52 Y-227,309.15 El. 1635.589 ft.

14-B-14 TT 1937; Blaine Co., 5.0 mi.W.& 1.0 mi.S.of Geary; 21.0 ft. N.of approx.SE.cor.sec.7,T13N,R11W; 148.0 ft.W.of cross fence N., 2.5 ft.S.of N.R/W fence twp.road. OSCC Marker.

X-1,879,843.85 Y-222,089.52 El. 1668.092 ft.

14-B-15 TT 1937; Blaine Co., 7.5 mi.W.& 1.0 mi.S.of Geary; 0.3 mi. W.of Pleasant Hill schoolhouse; 31.0 ft.S.& 5.0 ft.W.of approx.N $\frac{1}{2}$ cor. sec.14,T13N,R12W. OSCC Marker. C/L apex on Geary's largest W.T.in azimuth $259^{\circ}28'41''$; C/L apex on Bridgeport W.T.in azimuth $317^{\circ}53'40''$; C/L apex on Hinton W.T.in azimuth $332^{\circ}09'54''$.

X-1,867,557.50 Y-222,087.58 El. 1643.511 ft.

14-B-16 TT 1937; Blaine Co., 8.1 mi.W.& 1.0 mi.S.of Geary; 360.0 ft.W.& 31.0 ft.N.of approx.SE.cor.sec.10,T13N,R12W; 20.0 ft.W.& 2.0 ft. S.of W.gate post entrance to pasture; 12.0 ft.S.of blazed 12 in.black jack tree. OSCC Marker.

X-1,864,563.23 Y-222,214.89 El. 1694.740 ft.

14-B-17 TT 1937; Blaine Co., 8.6 mi.W.& 1.0 mi.S.of Geary; near approx.NE.cor.NW.NW.sec.16,R13N,T12W; 30.0 ft.S.of E-W Co.road; 3.0 ft. N.of S.R/W fence on brow of prominent sand hill. OSCC Marker. C/L S. gable on T-shaped farmhouse about 1.25 mi.in azimuth $167^{\circ}15'12''$.

X-1,860,899.76 Y-222,169.87 El. 1682.428 ft.

14-B-18 TT 1937; Blaine Co., 9.8 mi.W.& 1.0 mi.S.of Geary; approx. 900.0 ft.E.& 31.0 ft.N.of approx.SW.cor.sec.9,T13N,R12W; on top of prominent ridge just E.of winding Co.road across long wood pile trestle spanning canyon; 2.0 ft.S.of N.R/W fence. OSCC Marker. C/L Hinton W.T.in azimuth $322^{\circ}09'04''$.

X-1,854,975.16 Y-222,291.06 El. 1664.979 ft.

14-B-19 TT 1937; Blaine Co., 11.3 mi.W.& 1.0 mi.S.of Geary; 200.0 ft.E.& 24.0 ft.N.of approx.S $\frac{1}{4}$ cor.sec.7,T13N,R12W; 2.0 ft.S.of N.R/W fence. OSCC Marker.

X-1,846,695.81 Y-222,275.21 El. 1600.902 ft.

14-B-20 TT 1937; Blaine Co., 11.5 mi.W.& 1.3 mi.S.of Geary; near approx.center NW $\frac{1}{4}$ sec.18,T13N,R12W; on top of prominent bluff at left bank of S.Canadian River; 85.0 ft.W.& 15.0 ft.S.of cor.post to E.& N.of station. OSCC Marker. C/L Hinton W.T.in azimuth $314^{\circ}55'37''$.

X-1,845,057.90 Y-220,862.76 El. 1572.696 ft.

14-B-21 TT 1937; Blaine Co., 5.0 mi.N.& 1.5 mi.E.of Hydro; near approx.NW.cor.SW.NE.sec.14,T13N,R13W; on top of prominent bluff at right bank of S.Canadian River; approx. 600.0 ft.SW.of highest point in vicinity; 161.0 ft.SE.of 20 in.fence cor.post on ridge extending to SE.from cor.post. OSCC Marker. C/L Bridgeport W.T.in azimuth $291^{\circ}08'11''$; C/L Hinton W.T.in azimuth $308^{\circ}44'42''$.

X-1,833,698.68 Y-220,440.39

14-B-22 TT 1937; Blaine Co., 5.0 mi.N.of Hydro; 159.0 ft.S.& 224.0 ft.W.of approx.N $\frac{1}{4}$ cor.sec.15,T13N,R13W; 41.0 ft.S.& 86.0 ft.W.of SW.cor. of schoolhouse; 3.0 ft.N.& 3.0 ft.E.of SW.cor.of school yard. OSCC Marker.

C/L Bridgeport W.T. in azimuth $291^{\circ}37'12''$; C/L Hinton W.T. in azimuth $308^{\circ}17'34''$.

X-1,830,376.71 Y-222,284.41 El. 1640.097 ft.

14-B-23 TT 1937; Blaine Co., 6.0 mi.N. & 6.5 mi.E. of Weatherford; 24.0 ft.S. & 2.0 ft.W. of approx. $N\frac{1}{2}$ cor. sec. 16, T13N, R13W; 10.0 ft.S. & 2.0 ft.W. of creosote cor. post at intersection of cross fence S. with S. R/W fence. OSCC Marker.

X-1,825,314.74 Y-222,362.40 El. 1670.363 ft.

14-B-24 TT 1937; Blaine Co., 6.0 mi.N. & 5.2 mi.E. of Weatherford; 906.0 ft.E. & 23.0 ft.N. of approx. SW. cor. sec. 8, T13N, R13W; in range of lot fence N., 2.5 ft.S. of 10 in. locust tree; J.T. Rowland farmhouse. OSCC Marker. C/L Hydro W.T. in azimuth $336^{\circ}28'04''$.

X-1,818,351.11 Y-222,477.83 El. 1685.408 ft.

14-B-25 TT 1937; Custer Co., 6.0 mi.N. & 3.7 mi.E. of Weatherford; 0.7 mi.E. of Cedar Schoolhouse; 941.0 ft.E. & 28.5 ft.S. of approx. $N\frac{1}{2}$ cor. sec. 13, T13N, R14W; 3.0 ft.N. of S. R/W fence; 15.5 ft.E. of E. gate post entrance to farmhouse; 80.0 ft.N. & 7.0 ft.E. of NW. cor. of said house. OSCC Marker. C/L spire on State School at Weatherford in azimuth $32^{\circ}50'40''$; C/L Hydro W.T. in azimuth $320^{\circ}56'31''$.

X-1,810,403.63 Y-222,442.53 El. 1718.884 ft.

14-B-26 TT 1937; Custer Co., 6.0 mi.N. & 2.5 mi.E. of Weatherford; 0.5 mi.W. of Cedar Schoolhouse; 25.5 ft.N. & 1.5 ft.W. of approx. $S\frac{1}{2}$ cor. sec. 11, T13N, R14W; in range of cross fence N., 2.0 ft.S. of intersection post; 3.0 ft.S. of N. R/W fence. OSCC Marker. C/L apex of dome on S.W.S.T. College at Weatherford about 6 mi. in azimuth $28^{\circ}38'58''$; C/L W. chimney on 2 story house in grove of cedars in azimuth $155^{\circ}29'26''$.

X-1,804,265.02 Y-222,548.97 El. 1673.758 ft.

14-B-27 TT 1937; Custer Co., 4.0 mi.S. & 10.5 mi.E. of Custer City; 28.0 ft.S. of approx. $N\frac{1}{2}$ cor. sec. 16, T13N, R14W; in range of N-S cross fence; 3.5 ft.N. of intersection post. OSCC Marker. C/L apex S. gable on 2 story L-shaped house about 1.5 mi. in azimuth $199^{\circ}12'24''$; C/L W. chimney on 2 story house in group of cedars about 2 mi. in azimuth $237^{\circ}51'44''$.

X-1,793,706.32 Y-222,552.11 El. 1616.041 ft.

14-B-28 TT 1937; Custer Co., 3.5 mi.S. & 9.0 mi.E. of Custer City; 181.0 ft.N. & 31.0 ft.E. of approx. $W\frac{1}{2}$ cor. sec. 8, T13N, R14W; in cross fence; 3.0 ft.E. of E. R/W fence. OSCC Marker. C/L N. gable on 1 story house with shed kitchen on W. about 2 mi. in azimuth $03^{\circ}01'32''$; C/L apex W. gable on 1 story L-shaped house about 2.25 mi. in azimuth $333^{\circ}56'52''$.

X-1,785,849.88 Y-225,440.78 El. 1635.776 ft.

14-B-29 TT 1937; Custer Co., 3.0 mi.S. & 8.4 mi.E. of Custer City; 516.0 ft.W. & 30.0 ft.N. of approx. $S\frac{1}{2}$ cor. sec. 6, T13N, R14W; in range of cross fence S., 100.0 ft.E. of E. gate post entrance to cultivated field; 3.0 ft.N. of E-W fence. OSCC Marker. C/L Thomas W.T. in azimuth $174^{\circ}04'35''$.

X-1,782,700.40 Y-227,935.05 El. 1633.411 ft.

14-B-30 TT 1937; Custer Co., 3.0 mi.S. & 7.0 mi.E. of Custer City; 29.0 ft.S. & 26.0 ft.W. of approx. NE. cor. sec. 11, T13N, R15W; 4.0 ft.S. & 4.0 ft.W. of fence cor. OSCC Marker. C/L apex on E. gable on T-shaped house about 4 mi. in azimuth $39^{\circ}25'59''$; C/L N. gable on 1 story house with shed kitchen on W. about 3.5 mi. in azimuth $320^{\circ}31'04''$.

X-1,775,344.47 Y-227,947.93 El. 1708.137 ft.

14-B-31 TT 1937; Custer Co., 2.5 mi.S. & 6.5 mi.E. of Custer City; approx. center $N\frac{1}{2}$ $SW\frac{1}{4}$ sec. 2, T13N, R15W; on top of knoll which is highest point in vicinity; 413.0 ft.N. & 152.0 ft.E. of field fence intersection. OSCC Marker. C/L point on W. gable on 2 story house on horizon about 5.25 mi. in azimuth $340^{\circ}59'36''$.

X-1,771,163.21 Y-229,815.90 El. 1651.724 ft.

14-B-32 TT 1937; Custer Co., 3.0 mi.S. & 6.0 mi.E. of Custer City; 215.0 ft.W. & 44.0 ft.N. of approx. SE. cor. sec. 3, T13N, R15W; in SW. cor. Pleasant Hill school yard; 10.0 ft.N. & 2.5 ft.E. of SW. fence cor., 23.0 ft.S. & 46.0 ft.W. of SW. cor. of schoolhouse. OSCC Marker. C/L point on W. gable on 2 story house on horizon about 5 mi. in azimuth $537^{\circ}05'57''$.

X-1,769,866.67 Y-228,056.04 El. 1713.317 ft.

14-B-33 TT 1937; Custer Co., 3.0 mi.S.& 5.3 mi.E.of Custer City; near approx.NW.cor.NE.NW.sec.10,T13N,R15W; in range of lot fence N., 225.0 ft.S.& 125.0 ft.W.of SW.cor.of 2 story farmhouse. OSCC Marker. C/L N.chimney on T-shaped frame house on knoll about 4 mi.in azimuth $190^{\circ}08'05''$; C/L apex W.gable on 1 story house about 4.5 mi.in azimuth $300^{\circ}03'35''$.

X-1,766,213.19 Y-228,045.54 El. 1769.844 ft.

14-B-34 TT 1937; Custer Co., 3.25 mi.S.& 4.0 mi.E.of Custer City; 840.0 ft.S.& 31.0 ft.W.of approx.NE.cor.sec.8,T13N,R15W; 3.0 ft.E.of W.R/W fence. OSCC Marker. C/L point of S.gable on 2 story house about 2 mi.in azimuth $60^{\circ}42'45''$; C/L N.chimney on T-shaped frame house fronting N.on knoll about 4 mi.in azimuth $355^{\circ}47'08''$.

X-1,759,493.66 Y-227,312.37 El. 1788.123 ft.

14-B-35 TT 1937; Custer Co., 4.0 mi.S.& 3.4 mi.E.of Custer City; 2.5 ft.W.& 34.0 ft.S.of approx.N $\frac{1}{2}$ cor.sec.17,T13N,R15W; in NE.cor.Summit School yard; 2.5 ft.S.& 2.5 ft.W.of fence cor.post; 32.0 ft.N.& 103.0 ft.E.of NE.cor.school bldg. OSCC Marker. C/L W.gable on 2 story house about 1.25 mi.in azimuth $268^{\circ}50'37''$; C/L point of W.gable on 2 story house about 1.5 mi.in azimuth $339^{\circ}24'22''$.

X-1,756,425.37 Y-222,837.03 El. 1754.346 ft.

14-B-36 TT 1937; Custer Co., 4.0 mi.S.& 2.2 mi.E.of Custer City; 821.0 ft.E.& 28.0 ft.N.of approx.SW.cor.sec.7,T13N,R15W; 2.5 ft.S.& 10.0 ft.W.of boise-de-arc tel.pole (rural line). OSCC Marker. C/L apex Clinton W.T.in azimuth $03^{\circ}12'16''$; C/L apex Custer City W.T.in azimuth $100^{\circ}20'46''$.

X-1,749,784.69 Y-222,971.70 El. 1806.042 ft.

Burgtorf Tri.Sta., (Custer Co., C.I.A. 1934) Approx. 3.25 mi.E.& 2.25 mi.S.of Custer City; in approx.NE $\frac{1}{2}$ sec.5,T14N,R15W; 8.0 ft.N.of $\frac{1}{4}$ sec.fence; near center of $\frac{1}{4}$ sec.on land owned by C.A.Burgtorf. Mark projects about 8 in. Reached from Custer City by going E.on OK.Hwy.#33 for 3.2 mi.beyond its intersection with main St. to point where hwy.turns N., turn S. for 2.0 mi., then W. 0.35 mi.to gap in S.fence just W.of house foundation on N.side of road. Station is 0.25 mi.S.of this gap, near S $\frac{1}{2}$ fence line. May be reached by driving around field or if possible by driving due S.to mark. Surface, underground, reference, & azimuth marks are bronze tablets set in conc.& described according to notes 11b, 1a, 7a, & 11a.

X-1,752,470.54 Y-232,179.44

R.M.#1 is 12.551 m. (70.71 ft.) due E.of sta.set just N.of $\frac{1}{4}$ sec.fence line in azimuth $276^{\circ}42'25''$.

R.M.#2 is 34.395 m. (112.85 ft.) due W.of sta.set in same fence line as # 1 in azimuth $87^{\circ}40'44''$.

Azimuth mark is 0.5 mi.NE.& is reached by going N. 0.25 mi.from station, then E. 0.35 mi., then N. 0.1 mi.to mark 20.0 ft.W.of C/L of road in W. row fence line.

C/L Custer Tank in azimuth $125^{\circ}00'25''$.

14-B-37 TT 1937; Custer Co., 4.0 mi.S.& 1.0 mi.E.of Custer City; 52.0 ft.S.& 52.0 ft.W.of approx.NE.cor.sec.14,T13N,R16W; in NE.cor. of country church yard; 2.5 ft.W.of fence cor.post; 92.0 ft.N.& 65.0 ft.E. of NE.cor.of church house. OSCC Marker. C/L apex Custer City W.T.in azimuth $113^{\circ}49'07''$; C/L W.gable on farmhouse about 0.75 mi.in azimuth $308^{\circ}38'45''$.

X-1,743,589.15 Y-222,963.67 El. 1713.164 ft.

14-B-38 TT 1937; Custer Co., 4.0 mi.S.of Custer City; 415.0 ft.S.& 30.0 ft.W.of approx.NE.cor.sec.15,T13N,R16W; 2.5 ft.E.of W.R/W fence; 101.0 ft.S.of lot fence W. OSCC Marker. C/L apex Custer City W.T.in azimuth $173^{\circ}27'39''$; C/L W.gable apex on farmhouse about 0.75 mi.in azimuth $302^{\circ}18'32''$.

X-1,738,359.76 Y-222,622.60 El. 1709.646 ft.

14-B-39 TT 1937; Custer Co., 4.0 mi.E.of Arapaho; 6.0 mi.S.of Custer City; near approx.NW.cor.sec.26,T13N,R16W; in angle of E.hdw.to twin 48

in.diam.cor.pipe culvert in S.road ditch at Co.road intersection. OSCC
 Marker. C/L S.gable on 2 story house about 2.25 mi.in azimuth 152°29'12".
 X-1,738,325.00 Y-212,468.91 El. 1663.072 ft.
 21-F-18 TT 1935; Junction Station. See Traverse 21-F.

Traverse 14-C; Blaine & Dewey Co's.
 13-A-24 TT 1934 to 9-D-36 TT 1934
 North Projection

13-A-24 TT 1934; Junction Station. See Traverse 13-A.
 14-C-1 TT 1934; Blaine Co., In N.City limits of Geary; in approx.
 NE $\frac{1}{2}$ sec.1,T13N,R11W; 107.0 ft.E.& 24.0 ft.S.of intersection of CRI&P RR
 & E-W sec.line road; 2.0 ft.N.& 6.0 ft.E.of US.Hwy.#270 & RR R/W fence
 cor. USC&GS & State Marker. C/L top Geary's smallest W.T.in azimuth 26°
 59'50"; C/L gable on cupalo on barn about 2.1 mi.in azimuth 235°40'50";
 C/L flagpole on Negro school in Geary in azimuth 352°24'10".
 X-1,906,106.30 Y-232,467.73 El. 1499.236 ft.
 14-C-2 TT 1934; Blaine Co., 0.9 mi.N.of Geary; in approx.NW $\frac{1}{4}$ sec.
 36,T14N,R11W; on W.side of US.Hwy.#270; 3.0 ft.E.of W.R/W fence. USC&GS
 & State Marker. C/L pole on barn about 0.2 mi.in azimuth 54°32'02"; C/L
 W.gable on cupalo of barn about 2.1 mi.in azimuth 272°02'22"; C/L Geary's
 smallest W.T.in azimuth 354°56'42".
 X-1,903,590.27 Y-236,687.54 El. 1484.697 ft.
 14-C-3 TT 1934; Blaine Co., 3.02 mi.N.of Geary; in approx.NW $\frac{1}{4}$ sec.
 23,T14N,R11W; 400.0 ft.S.& 63.0 ft.E.of conc.bridge on US.Hwy.#270. USC
 &GS & State Marker. C/L chimney on Smith house about $\frac{1}{2}$ mi.in azimuth 49°
 54'48"; C/L W.gable on barn about 1 mi.in azimuth 213°49'58"; C/L pole
 on cupalo of barn about 0.2 mi.in azimuth 342°20'08".
 X-1,898,700.39 Y-246,063.44 El. 1462.550 ft.
 14-C-4 TT 1934; Blaine Co., 4.8 mi.N.of Geary; in sec.10,T14N,R11W;
 240.0 ft.N.& 55.0 ft.E.of C/L US.Hwy.#270 & E-W sec.line road. USC&GS &
 State Marker. C/L S.gable on cupalo on Lehman barn about 1.4 mi.in azi-
 muth 122°53'57"; C/L W.gable on barn about 1 mi.in azimuth 300°18'47";
 C/L chimney on Smith house about 1.5 mi.in azimuth 355°44'57".
 X-1,894,521.34 Y-253,868.33 El. 1467.865 ft.
 14-C-5 TT 1934; Blaine Co., 5.8 mi.N.of Geary; in approx.NW $\frac{1}{4}$ sec.
 10,T14N,R11W; 1000.0 ft.S.& 57.0 ft.E.of C/L of intersection US.Hwy.#
 270 & E-W sec.line road. USC&GS & State Marker. C/L S.gable of cupalo on
 Lehman barn about 1.4 mi.in azimuth 52°37'18"; C/L chimney on house about
 0.1 mi.in azimuth 108°31'58"; C/L chimney on sq.house about 1 mi.in azi-
 muth 187°39'08".
 X-1,892,286.44 Y-258,059.36 El. 1484.665 ft.
 14-C-6 TT 1934; Blaine Co., 6.7 mi.N.of Geary; 148.0 ft.N.of $\frac{1}{4}$ sec.
 line in approx.SW.cor.NE.sec.4,T14N,R11W; 48.0 ft.W.of C/L US.Hwy.#270.
 USC&GS & State Marker. C/L chimney on house about 1 mi. in azimuth 20°
 06'26"; C/L W.gable of cupalo on barn about 0.5 mi.in azimuth 170°34'46";
 C/L chimney on sq.house about 1 mi.in azimuth 232°04'16".
 X-1,890,228.93 Y-261,678.38 El. 1472.474 ft.
 14-C-7 TT 1934; Blaine Co., In Greenfield; in approx.NE.cor.SW.sec.
 33,T15N,R11W; 63.0 ft.S.& 51.0 ft.E.of SE.cor.of CRI&P RR depot. USC&GS
 & State Marker.
 X-1,888,082.38 Y-266,170.19 El. 1455.637 ft.
 14-C-8 TT 1934; Blaine Co., 1.6 mi.N.of Greenfield; in approx.SW $\frac{1}{4}$
 sec.28,T15N,R11W; 42.7 ft.E.of NE.cor.of CRI&P RR trestle #888; 3.0 ft.
 W.of E.R/W fence. USC&GS & State Marker. C/L small house about 0.5 mi.
 in azimuth 84°15'54"; C/L center chimney on house about 2 mi.in azimuth
 168°22'11"; C/L W.gable of cupalo on barn at Alfalfa Stock Farm about
 0.5 mi.in azimuth 308°06'48".
 X-1,885,989.61 Y-270,026.23 El. 1466.624 ft.
 13-C-29 TT 1938; Junction Station. See Traverse 13-C.
 14-C-9 TT 1934; Blaine Co., 2.8 mi.N.of Greenfield; in approx.NW.

- NW.cor.SW.SE.sec.20,T15N,R11W; 224.5 ft.E.of SE.cor.of W.J.Cooper's 1 story bungalow. USC&GS & State Marker. C/L E.gable on barn about 0.6 mi. in azimuth $45^{\circ}23'38''$; C/L Watonga W.T.in azimuth $172^{\circ}10'42''$; C/L chimney on house about 1 mi.in azimuth $198^{\circ}46'38''$.
- X-1,882,752.43 Y-276,081.13 El. 1464.518 ft.
 14-C-10 TT 1934; Blaine Co., 4.0 mi.N.of Greenfield; in approx.SE $\frac{1}{2}$ sec.18,T15N,R11W; 207.5 ft.S.& 145.0 ft.E.of conc.bridge on US.Hwy.#270; 200.0 ft.S.& 50.0 ft.E.of CRI&P RR trestle; 3.0 ft.W.of E.R/W fence. US C&GS & State Marker. C/L OG&E booster station W.T.about 15 mi.in azimuth $132^{\circ}20'32''$; C/L chimney on house about 1.25 mi.in azimuth $289^{\circ}54'02''$; C/L E.gable on barn about 0.06 mi.in azimuth $335^{\circ}39'12''$.
- X-1,880,041.53 Y-281,158.42 El. 1479.492 ft.
 14-C-11 TT 1934; Blaine Co., 6.2 mi.N.of Greenfield; in approx.NE.cor.NE.sec.12,T15N,R12W; 37.0 ft.NW.of CRI&P RR track; approx. 45.0 ft. S.of C/L E-W sec.line road. USC&GS & State Marker. C/L E.gable on large barn about 1 mi.in azimuth $82^{\circ}06'36''$; C/L chimney on sq.house about 0.5 mi.in azimuth $159^{\circ}42'41''$; C/L Watonga W.T.in azimuth $190^{\circ}57'01''$.
- X-1,874,988.65 Y-290,617.02 El. 1481.979 ft.
 14-C-12 TT 1934; Blaine Co., 6.4 mi.N.& 0.9 mi.W.of Greenfield; 1140.0 ft.S.& 26.0 ft.E.of approx.W $\frac{1}{2}$ cor.sec.1,T15N,R12W; 1500.0 ft.N. of E-W sec.line & 26.0 ft.E.of N-S sec.line. USC&GS & State Marker. C/L E.gable on large barn about 2 mi.in azimuth $15^{\circ}41'25''$; C/L chimney on house about 0.5 mi.in azimuth $178^{\circ}11'35''$.
- X-1,870,521.64 Y-292,010.15 El. 1505.806 ft.
 14-C-13 TT 1934; Blaine Co., 2.17 mi.S.& 2.0 mi.W.of Watonga; 750.0 ft.S.& 19.0 ft.W.of approx.NE.cor.sec.3,T15N,R12W. USC&GS & State Marker. C/L lightning rod on cupola of barn about 1 mi.in azimuth $74^{\circ}56'22''$; C/L S.gable on tin house about 1.5 mi.in azimuth $183^{\circ}31'44''$; C/L house in azimuth $263^{\circ}36'12''$.
- X-1,865,198.71 Y-295,106.40 El. 1517.927 ft.
 14-C-14 TT 1934; Blaine Co., 1.75 mi.S.& 3.0 mi.W.of Watonga; 1300.0 ft.N.& 27.0 ft.W.of approx.SE.cor.sec.33,T16N,R12W; 2.0 ft.W.of W.R/W fence. USC&GS & State Marker. C/L W.gable of barn on Indian place about 0.75 mi.in azimuth $187^{\circ}02'38''$; C/L S.gable on tin house about 1.5 mi.in azimuth $241^{\circ}03'56''$; C/L lightning rod on cupola of barn about 0.37 mi.in azimuth $348^{\circ}47'33''$.
- X-1,859,907.44 Y-297,293.29 El. (Note: Marker broken off, position is OK but elevation is no good.)
 14-C-15 TT 1934; Blaine Co., 3.0 mi.W.& 1.0 mi.S.of Watonga; 31.0 ft.S.& 28.0 ft.W.of approx.NE.cor.sec.33,T16N,R12W; 3.0 ft.S.& 2.0 ft. W.of NE.fence cor. USC&GS & State Marker. C/L chimney on sq.house about 1.5 mi.in azimuth $83^{\circ}24'49''$; C/L OG&E booster station W.T.in azimuth $130^{\circ}10'24''$; C/L W.gable on barn about 0.1 mi.in azimuth $278^{\circ}52'24''$.
- X-1,859,895.15 Y-301,237.87 El. 1549.742 ft.
 14-C-16 TT 1934; (Reset) Blaine Co., 4.1 mi.W.of SW.cor.of Watonga; 424.0 ft.W.& 44.0 ft.S.of approx.NE.cor.sec.29,T16N,R12W; 2.0 ft.N.of phone line; 6.0 ft.N.of S.R/W fence line US.Hwy.#270. OSCC Marker. C/L S.gable on E.side of roof of farmhouse about 0.75 mi.in azimuth $87^{\circ}56'03''$; C/L Watonga W.T.in azimuth $266^{\circ}27'05''$.
- X-1,854,096.44 Y-306,538.36 El. 1574.478 ft.
 15-C-26 TT 1934; Junction Station. See Traverse 15-C.
 14-C-17 TT 1934; (Reset) Blaine Co., 5.4 mi.W.of SW.cor.of Watonga; 75.0 ft.N.& approx. 1670.0 ft.W.of approx.SE.cor.sec.19,T16N,R12W; 7.0 ft.S.of N.R/W fence line US.Hwy.#270. OSCC Marker.
- X-1,847,674.61 Y-306,669.34 El. 1651.740 ft.
 14-C-18 TT 1934; (Reset) Blaine Co., 6.0 mi.W.of SW.cor.of Watonga; 73.0 ft.E.& 48.0 ft.S.of approx.NW.cor.sec.30,T16N,R12W; 2.0 ft.N.of S. R/W fence of US.Hwy.#270, S.of filling station on N.side of road. OSCC Marker.
- X-1,844,408.52 Y-306,559.96 El. 1694.406 ft.
 14-C-19 TT 1934; Blaine Co., 7.1 mi.W.of Watonga; 65.0 ft.N.& 75.0 ft.W.of approx.SE.cor.sec.23,T16N,R13W; on top of timbered hill; 15.0 ft.

N. of N. bank of US.Hwy.#270. USC&GS & State Marker. C/L OG&E booster sta. W.T.in azimuth $163^{\circ}15'46''$; C/L chimney on house about 0.25 mi.in azimuth $258^{\circ}45'16''$.

X-1,839,031.57 Y-306,676.02 El. 1756.547 ft.

14-C-20 TT 1934; Blaine Co., 8.8 mi.W.of Watonga; 70.0 ft.S.& 275.0 ft.W.of approx.NE.cor.NW.sec.27,T16N,R13W; on sandy hill. USC&GS & State Marker. C/L S.gable on house about 1 mi.in azimuth $93^{\circ}48'23''$.

X-1,830,841.55 Y-306,681.52 El. 1822.149 ft.

14-C-20-A TT 1934; Blaine Co., 9.0 mi.W.of Watonga; 13.9 ft.N. & 13.0 ft.W.of approx.SE.cor.sec.21,T16N,R13W; 13.9 ft.N.of C/L US.Hwy.#270; 26.0 ft.SE.of hwy.marker on N.side of road; is an 1 in.iron pipe driven 10 in.below grade on N.shoulder of hwy. C/L S.apex on farmhouse about 0.5 mi.in azimuth $95^{\circ}55'17''$.

X-1,828,500.80 Y-306,777.37

15-D-0-A; Junction Station. See Traverse 15-D.

14-C-21 TT 1934; (Reset) Blaine Co., 9.5 mi.W.of Watonga; at jct.of US.Hwy's.#270 & #281 & OK.Hwy's.#33 & #58; 215.0 ft.N.& 267.0 ft.W. of approx.S $\frac{1}{2}$ cor.sec.21,T16N,R13W; 267.0 ft.N.of C/L US.Hwy.#270; 170.0 ft. W.of C/L OK.Hwy.#33 E.leg of "Y"; 200.0 ft.E.of OK.Hwy.#33 W.leg of "Y". Sta.is steel axle driven in ground & projecting about 4 in. Guard post 3.0 ft.W.of sta. C/L E.apex on 2 story farmhouse about 0.5 mi.in azimuth $37^{\circ}25'31''$; C/L W.apex of resident filling sta.about 0.1 mi.in azimuth $298^{\circ}34'46''$; C/L N.apex on farmhouse about 0.5 mi.in azimuth $270^{\circ}53'06''$.

X-1,825,613.49 Y-306,990.25 El. 1845.758 ft.

14-C-22 TT 1934; Blaine Co., 9.5 mi.W.& 0.5 mi.N.of Watonga; 218.0 ft.S.& 50.0 ft.E.of approx.NW.cor.SE.sec.21,T16N,R13W; 50.0 ft.E.of C/L OK.Hwy.#58. OSCC Marker

X-1,825,938.87 Y-309,250.66 El. 1836.203 ft.

14-C-23 TT 1934; Blaine Co., 9.9 mi.W.& 2.0 mi.N.of Watonga; 48.0 ft.W.& 210.0 ft.S.of approx.N $\frac{1}{2}$ cor.sec.16,T16N,R13W; on top of hill 2.0 ft.E.of W.R/W fence. USC&GS & State Marker.

X-1,825,885.59 Y-317,040.11 El. 1818.275 ft.

14-C-24 TT 1934; Blaine Co., 9.9 mi.W.& 2.6 mi.N.of Watonga; 53.0 ft.E.& 3.0 ft.S.of approx.center sec.9,T16N,R13W. USC&GS & State Marker. C/L chimney on house about 0.5 mi.in azimuth $198^{\circ}23'14''$.

X-1,826,001.79 Y-319,908.81 El. 1790.742 ft.

14-C-25 TT 1934; Blaine Co., 9.5 mi.W.& 3.1 mi.N.of Watonga; in approx.SW.SE.sec.4,T16N,R13W; 453.0 ft.NE.of N.end of E.hdw.of an 18 x 33 in.R.C.pipe culvert under OK.Hwy.#58 at intersection of S.line sec. 4 with hwy., 42.0 ft.E.of C/L hwy., 2.0 ft.W.of E.R/W fence. OSCC Marker. C/L chimney on house about 1.5 mi.in azimuth $144^{\circ}40'47''$; C/L OG&E booster station W.T.about 2 mi.in azimuth $269^{\circ}53'17''$; C/L chimney on house about 0.5 mi.in azimuth $338^{\circ}30'47''$.

X-1,826,406.87 Y-323,003.83 El. 1772.373 ft.

14-C-26 TT 1934; Blaine Co., 2.0 mi.S.of Eagle City; in approx.NE $\frac{1}{4}$ sec.4,T16N,R13W; 200.0 ft.S.& 65.0 ft.E.of SE.cor.of barn on Abshire place. USC&GS & State Marker. C/L chimney on house about 1.5 mi.in azimuth $104^{\circ}36'57''$; C/L W.gable on tin roof barn about 0.25 mi.in azimuth $193^{\circ}20'57''$; C/L chimney on house about 1 mi.in azimuth $273^{\circ}19'52''$.

X-1,827,252.73 Y-327,067.25 El. 1749.260 ft.

14-C-27 TT 1934; Blaine Co., 1.25 mi.S.of Eagle City; 1238.0 ft.N. & 48.0 ft.W.of approx.S $\frac{1}{2}$ cor.sec.28,T17N,R13W; 2.0 ft.E.of W.R/W fence. USC&GS & State Marker. C/L chimney on house about 2 mi.in azimuth $125^{\circ}43'23''$; C/L W.gable on tin roofed barn about 0.25 mi.in azimuth $318^{\circ}26'58''$; C/L chimney on house about 1 mi.in azimuth $334^{\circ}48'33''$.

X-1,827,382.22 Y-334,087.03 El. 1661.445 ft.

14-C-28 TT 1934; Blaine Co., 0.1 mi.S.of Eagle City; in approx.SE $\frac{1}{4}$ sec.21,T17N,R13W; 550.0 ft.S.of C/L of road to Eagle City; 4.0 ft.E.of W.R/W fence on OK.Hwy's.#35 & #44. USC&GS & State Marker. C/L tin elevator at Eagle City in azimuth $130^{\circ}52'35''$. C/L chimney on house about 0.04 mi.in azimuth $188^{\circ}27'45''$; C/L OG&E booster sta.W.T.in azimuth $337^{\circ}16'25''$.

X-1,827,379.87 Y-339,598.72 El. 1706.900 ft.

14-C-29 TT 1934; (Reset) Blaine Co., 0.2 mi.N.of Eagle City; in approx.NW $\frac{1}{4}$ sec.22,T17N,R13W; 113.0 ft.W.& 202.0 ft.N.of NW.cor.of E. A. Schrader house; 49.0 ft.E.of C/L OK.Hwy.#35 & #44; 1.0 ft.W.of E. R/W fence. USC&GS & State Marker. C/L peak of E.end of roof on house NE.of grain elevators in azimuth 69°56'44"; C/L chimney on 2 story house by large barn about 2 mi.in azimuth 157°21'49"; C/L chimney on bungalow about 1.5 mi.in azimuth 204°08'46".

X-1,827,490.09

Y-341,409.80

14-C-30 TT 1934; (Reset) Blaine Co., 1.35 mi.N.of Eagle City; 1257.0 ft.S.& 52.0 ft.E.of approx.NW.cor.sec.15,T17N,R13W; 52.0 ft.E.of C/L OK.Hwy.#35 & #44; 2.0 ft.E.of E.R/W fence in pasture; 463.0 ft.N.& 183.0 ft.E.of NE.cor.of small farm bungalow W.of road. USC&GS & State Marker. C/L spire on church house in Eagle City in azimuth 19°18'29"; C/L peak S.end gable on large barn about 1 mi.in azimuth 140°52'09". C/L peak S.end gable on 2 story house on E.side of road about 2 mi.in azimuth 182°08'11".

X-1,827,517.92

Y-347,512.95

14-C-31 TT 1934; Blaine Co., 3.3 mi.N.of Eagle City on OK.Hwy.#35; 158.28 ft.E.& 400.0 ft.S.of approx.W $\frac{1}{2}$ cor.sec.3,T17N,R13W; about half way between hwy.& N-S ravine. USC&GS & State Marker. C/L peak S.end gable on large barn about 1 mi.in azimuth 18°47'41"; C/L chimney on 2 story house facing E.about 0.3 mi.in azimuth 162°13'46"; C/L W.gable on 2 story house about 0.5 mi.in azimuth 185°50'31".

X-1,827,683.63

Y-356,203.02

El. 1610.237 ft.

14-C-32 TT 1934; Blaine Co., 4.3 mi.N.of Eagle City; 1337.0 ft.N. & 50.0 ft.W.of approx.SE.cor.sec.33,T18N,R13W; 3.0 ft.S.of E-W cross fence. USC&GS & State Marker. C/L chimney on 2 story house facing E. about 0.25 mi.in azimuth 07°02'14"; C/L E.gable on barn about 0.25 mi. in azimuth 203°21'59"; C/L W.gable on 2 story house about 0.5 mi.in azimuth 348°51'19".

X-1,827,512.48

Y-360,570.35

El. 1660.198 ft.

11-D-68 TT 1938; Junction Station. See Traverse 11-D.

14-C-33 TT 1934; Blaine Co., 5.1 mi.N.of Eagle City; 30.0 ft.S.& 49.0 ft.W.of approx.NE.cor.sec.33,T18N,R13W; on OK.Hwy.#35. USC&GS & State Marker. C/L chimney on large house about 1 mi.in azimuth 88°30'03"; C/L chimney on house about 0.25 mi.in azimuth 188°19'53"; C/L E.gable on barn about 0.25 mi.in azimuth 297°53'18".

X-1,827,538.09

Y-364,454.61

El. 1664.711 ft.

14-C-34 TT 1934; Blaine Co., 6.2 mi.N.of Eagle City; 27.0 ft.S.& 45.0 ft.E.of approx.NW.cor.sec.27,T18N,R13W; on OK.Hwy.#35. USC&GS & State Marker. C/L chimney on 2 story house about 0.25 mi.in azimuth 28°26'33"; C/L chimney on house about 1.1 mi.in azimuth 154°14'43"; C/L E.gable of barn about 0.25 mi.in azimuth 328°26'16".

X-1,827,681.52

Y-369,708.23

El. 1643.973 ft.

14-C-35 TT 1934; Blaine Co., 7.15 mi.N.of Eagle City; in sec.22, T18N,R13W; 36.0 ft.E.of OK.Hwy.#35; 3.0 ft.E.of W.R/W fence; 663.0 ft.S. of white church; 3.0 ft.S.of E-W $\frac{1}{4}$ sec.line. USC&GS & State Marker. C/L chimney on house about 1.5 mi.in azimuth 148°37'21"; C/L chimney on house in azimuth 103°03'56"; C/L Canton W.T.in azimuth 170°02'24".

X-1,827,689.51

Y-374,341.71

El. 1617.315 ft.

14-C-36 TT 1934; Blaine Co., 0.5 mi.W.of OK.Hwy.#35; 0.5 mi.S. of Canton; 33.0 ft.S.& 3.0 ft.E.of approx.N $\frac{1}{2}$ cor.sec.16,T18N,R13W. USC&GS & State Marker. C/L E.gable on stucco house about 1.1 mi.in azimuth 64°22'52"; C/L chimney on house in azimuth 141°56'22"; C/L Canton W.T. in azimuth 192°49'02".

X-1,825,056.26

Y-380,243.11

El. 1634.022 ft.

14-C-37 TT 1934; Blaine Co., 1.5 mi.W.of Canton; in approx.SW $\frac{1}{4}$ sec. 8,T18N,R13W; approx. 300.0 ft.E.of W.sec.line; 0.55 mi.S.of OK.Hwy.#35. USC&GS & State Marker. C/L E.gable on stucco house in azimuth 10°12'10"; C/L chimney on house in azimuth 115°40'40"; C/L chimney on house in azimuth 228°40'30".

X-1,817,176.18

Y-382,622.68

El. 1688.612 ft.

- 7-E-23 TT 1934; Junction Station. See Traverse 7-E.
- 14-C-38 TT 1934; Dewey Co., 2.75 mi.W.of Canton; on OK.Hwy.#35; 1584.0 ft.W.& 50.0 ft.S.of approx.NE.cor.sec.12,T18N,R14W; 238.97 ft.S. of SW.cor.of David Raugh house. USC&GS & State Marker. C/L N.gable on barn about 1.5 mi.in azimuth $56^{\circ}48'05''$; C/L chimney on sq.house about 2 mi.in azimuth $128^{\circ}29'25''$; C/L house in azimuth $187^{\circ}11'48''$.
X-1,810,220.01 Y-385,706.51 El. 1795.851 ft.
- 14-C-39 TT 1934; Dewey Co., 4.5 mi.W.of Canton; 64.8 ft.N.& 27.0 ft. E.of approx.SW.cor.sec.2,T18N,R14W; 67.0 ft.N.of C/L OK.Hwy.#35. USC&GS & State Marker. C/L chimney on Gus Gunlach sq.top house about 0.5 mi.in azimuth $29^{\circ}35'04''$; C/L Cantonment Indian School W.T.in azimuth $226^{\circ}14'04''$.
X-1,801,553.91 Y-385,868.06 El. 1814.668 ft.
- 14-C-40 TT 1934; Dewey Co., 5.2 mi.W.of Canton on OK.Hwy.#35; 300.0 ft.W.& 48.0 ft.S.of approx.N $\frac{1}{2}$ cor.sec.10,T18N,R14W. USC&GS & State Marker. C/L chimney on Ray Seifred 2 story house about 0.25 mi.in azimuth $141^{\circ}48'22''$; C/L Chimney on Henry Seifred brick house on horizon about 1 mi.in azimuth $343^{\circ}39'14''$.
X-1,798,582.43 Y-385,790.10 El. 1867.145 ft.
- 14-C-41 TT 1934; Dewey Co., 5.5 mi.W.of Canton on OK.Hwy.#35; 60.0 ft.S.& 1711.0 ft.W.of approx.NE.cor.sec.9,T18N,R14W; on ridge line of wooded hill. USC&GS & State Marker. C/L chimney on Ray Seifred house in azimuth $223^{\circ}17'47''$.
X-1,794,535.90 Y-385,832.64 El. 1936.906 ft.
- 14-C-42 TT 1934; Dewey Co., 6.3 mi.W.of Canton on N.side of OK.Hwy.#35; 1270.0 ft.E.& 40.0 ft.N.of approx.SW.cor.sec.4,T18N,R14W; at ridge line of wooded hill; 4.3 ft.S.of N.R/W fence. USC&GS & State Marker.
X-1,792,195.38 Y-385,967.88 El. 1917.804 ft.
- 14-C-43 TT 1934; Dewey Co., 7.2 mi.W.of Canton; 43.0 ft.N.& 1926.0 ft.E.of approx.SW.cor.SW.sec.5,T18N,R14W; on crest of small hill; 70.0 ft.E.of driveway to Armstrong house; 5.0 ft.S.of N.R/W fence. USC&GS & State Marker. C/L chimney on Wheatley Brown farmhouse about 1 mi.in azimuth $255^{\circ}48'10''$.
X-1,787,609.47 Y-385,986.03 El. 1911.146 ft.
- 14-C-44 TT 1934; (Reset) Dewey Co., 9.7 mi.W.of W.City limits of Canton; 48.0 ft.N.& 716.0 ft.E.of approx.S $\frac{1}{2}$ cor.sec.6,T18N,R14W; at the crown of high hill on N.side of E-W road; 2.0 ft.S.of N.R/W fence. OSCC Marker. C/L chimney on bungalow about 2 mi.in azimuth $159^{\circ}56'44''$; C/L W.gable on $1\frac{1}{2}$ story house about 2 mi.in azimuth $262^{\circ}45'24''$; C/L N. apex roof on school gym about 1 mi.in azimuth $342^{\circ}07'09''$.
X-1,783,753.50 Y-385,990.37 El. 1928.032 ft.
- 14-C-45 TT 1934; Dewey Co., 9.3 mi.W.of Canton; 48.0 ft.S.& 1287.0 ft.E.of approx.NW.cor.sec.12,T18N,R15W; 55.0 ft.W.of $\frac{1}{2}$ fence line; on S. side of road at ridge line of wooded hill; 2.0 ft.N.of S.R/W fence. USC&GS & State Marker.
X-1,776,517.11 Y-385,913.97 El. 1930.729 ft.
- 14-C-46 TT 1934; (Reset) Dewey Co., 10.3 mi.W.of W.City limits of Canton; 46.4 ft.S.& 1343.0 ft.E.of approx.NW.cor.sec.11,T18N,R15W; at crest of small mound on S.side of road; 3.4 ft.N.of S.R/W fence. OSCC Marker. C/L NE.cor.of N.chimney on $1\frac{1}{2}$ story brick house of L.N.Chain in azimuth $141^{\circ}58'24''$; C/L chimney on 2 story house about 2 mi.in azimuth $229^{\circ}58'50''$; C/L W.end comb of roof on tile brick bungalow about 1 mi.in azimuth $276^{\circ}36'15''$.
X-1,771,333.71 Y-385,919.31 El. 1926.109 ft.
- 14-C-46-A TT 1934; Dewey Co., about 0.5 mi.E.of Huckmack; 1850.0 ft.W.& 13.0 ft.N.of intersection of cor.common to sec.4,3,9,10,T18N,R15W; on N.edge of road bed close to base of N.high bank of deep cut thru sand hill. Mark is 3/4 in iron bolt set in conc. 10 in.below surface.
X-1,766,933.55 Y-385,997.87
- 14-C-47 TT 1934; (Reset) Dewey Co., In Huckmack; 11.4 mi.W.of Canton on N.side US.Hwy.#270; 784.0 ft.E.of approx.SW.cor.sec.3,T18N,R15W; 2.5 ft.S.of N.R/W fence; 6.0 ft.E.& 1.0 ft.S.of 1 wire phone pole at the

- crest of small mound. OSCC Marker.
 X-1,765,379.06 Y-386,041.31 El. 1935.354 ft.
 14-C-48 TT 1934; (Reset) Dewey Co., 12.4 mi.W.of Canton; 0.9 mi.W. of Huckmack; 707.0 ft.E.of approx.SW.cor.sec.4,T18N,R15W; 48.5 ft.N. of C/L US.Hwy.#270; 1.5 ft.S.of N.R/W fence near crest of small mound. OSCC Marker. C/L apex (W.) roof on house on S.side of road about 0.25 mi.in azimuth 279°25'42"; C/L peak E.gable on 1½ story house about 0.25 mi.in azimuth 49°33'37"; C/L comb roof on house about 0.1 mi.in azimuth 96°59'29".
- X-1,760,191.30 Y-386,107.71 El. 1917.048 ft.
 14-C-49 TT 1934; Dewey Co., 12.5 mi.W.& 0.3 mi.N.of Canton; 31.0 ft.E.& 1348.0 ft.N.of approx.SW.cor.sec.4,T18N,R15W; on E.side of N-S road at crest of mound on property of John Clark. USC&GS & State Marker.
 X-1,759,523.24 Y-387,734.09 El. 1932.727 ft.
 (Note: These stations are spur line to Sickle Tri.Sta.)
 14-C-49-A TT 1938; Dewey Co., 12.5 mi.W.& 0.5 mi.S.of Canton; near approx.SE.cor.NE.SE.sec.9,T18N,R15W; 5.0 ft.E.of W.R/W fence; 26.0 ft.W. of C/L Co.road; 287.0 ft.S.of cross fence W. OSCC Marker. C/L NE.cor.of chimney on Pleasant Valley schoolhouse about 2 mi.in azimuth 359°09'00".
 X-1,759,427.30 Y-382,350.64 El. 1919.569 ft.
 14-C-49-B TT 1938; Dewey Co., 12.5 mi.W.& 2.5 mi.S.of Canton; near approx.SW.cor.NW.SW.sec.21,T18N,R15W; 0.25 mi.S.of Pleasant Valley School house; 28.0 ft.E.of C/L Co.road; 184.0 ft.W.& 106.0 ft.N.of NW.cor.of H.H.Bryan farmhouse; 7.0 ft.N.& 4.0 ft.E.of forked blackjack tree. OSCC Marker. C/L SE.cor.of chimney on Pleasant Valley schoolhouse about 0.25 mi.in azimuth 191°01'24"; C/L NE.cor.of E.chimney on T-farmhouse about 0.25 mi.in azimuth 160°28'14".
 X-1,759,420.19 Y-372,278.58 El. 1851.911 ft.
 14-C-49-C TT 1938; Dewey Co., 12.5 mi.W.& 3.0 mi.S.of Canton; 106.0 ft.N.& 28.0 ft.W.of approx.NE.cor.sec.29,T18N,R15W; 28.0 ft.W.of C/L Co. road; 3.0 ft.E.of W.R/W fence. OSCC Marker. C/L cupalo on barn about 1 mi.in azimuth 344°32'45"; C/L gable on N.barn about 1 mi.in azimuth 272°10'18"; C/L chimney on house about 0.25 mi.in azimuth 187°51'38".
 X-1,759,339.55 Y-370,168.44
 14-C-49-D TT 1938; Dewey Co., 12.5 mi.W.& 4.0 mi.S.of Canton; 100.0 ft.E.& 26.0 ft.S.of approx.NW.cor.sec.33,T18N,R15W; 2.0 ft.N.of S. R/W fence. OSCC Marker. C/L NE.cor.chimney on house about 0.25 mi.in azimuth 111°46'50"; C/L cupalo on barn about 0.25 mi.in azimuth 254°52'10".
 X-1,759,430.44 Y-364,967.60 El. 1816.167 ft.
 Sickle Tri.Sta., (Dewey Co., C.I.A. 1934) 5.0 mi.S.& 10.0 mi.E.of Taloga; in approx.center S.side sec.3,T17N,R15W; 39.5 ft.E.of T-fence cor.N., marking ½ sec.at top of grade; 34.0 ft.N.of C/L E-W road; 8.0 ft. N.of E-W fence line. Reached from Taloga by going 4.9 mi.N.on OK.Hwy.# 14 or 3.6 mi.beyond N.end of bridge, then E.on dirt T-road & go 2.0 mi. to T-jct., turn S.for 1.0 mi., then E. 6.0 mi.to where main road turns S., follow S.for 8.0 mi., then E.on T-road for 1.5 mi.to top of grade & ½ sec.fence. Surface, underground, reference, & azimuth marks are bronze tablets set in conc.& described according to notes 1a, 7a, & 11a.
 X-1,767,148.64 Y-354,501.29 El. 1882.031 ft.
 C/L Vici Tank in azimuth 113°48'14".
 R.M.#1 is on S.side of road past sta., set in E-W fence line, 26.0 ft.S. of C/L of road about 34.657 m. (113.70 ft.) in azimuth 303°16'00".
 El. 1884.717 ft.
 R.M.#2 is on S.side of road past sta.set in E-W fence line, 26.0 ft.S. of C/L of road about 31.982 m. (104.94 ft.) in azimuth 56°52'09".
 El. 1882.585 ft.
 Azimuth mark is 0.5 mi.E.of sta.set in E-W fence line, 26.0 ft.S.of C/L of road, fence is N.fence of small graveyard. Mark is 90.0 ft.W.of NE. cor.of cemetery about 0.5 mi.in azimuth 271°54'33".
 Station mark is 14 in.below surface of ground, other mark projects about 6 in.above ground.

14-C-50 TT 1934; Dewey Co., 12.5 mi.W. & 1.8 mi.N. of Canton; 40.0 ft.W. & 978.0 ft.S. of approx.NE.cor.sec.32, T19N, R15W; on W. side of road at crest of large mound on property of George Young; 3.0 ft.W. of W.R/W fence. USC&GS & State Marker. C/L N.chimney on D.C.Cook house about 0.25 mi. in azimuth 222°13'39".

X-1, 759, 475.06 Y-395, 552.19 El. 1944.031 ft.

14-C-51 TT 1934; Dewey Co., 12.8 mi.W. & 1.8 mi.N. of Canton; 64.0 ft.S. & 1474.0 ft.W. of approx.NE.cor.sec.32, T19N, R15W; on property of George Young at crest of wooded hill on S. side of E-W road; 26.0 ft.S. of S.R/W fence. USC&GS & State Marker.

X-1, 758, 040.18 Y-396, 484.63 El. 1949.348 ft.

14-C-52 TT 1934; Dewey Co., 3.9 mi.E. & 4.0 mi.S. of Seiling; 77.0 ft.S. & 645.0 ft.W. of approx.NE.cor.sec.36, T19N, R16W; at ridge line of wooded hill; 7.0 ft.S. of S.R/W fence. USC&GS & State Marker.

X-1, 748, 407.29 Y-396, 537.15 El. 1933.480 ft.

14-C-53 TT 1934; Dewey Co., 4.0 mi.S. & 3.0 mi.E. of Seiling; 680.0 ft.E. & 26.0 ft.N. of approx.SW.cor.sec.25, T19N, R16W; on ridge line of a hill just E. of Guy-District schoolhouse. USC&GS & State Marker. C/L chimney on Guy Schoolhouse in azimuth 81°28'12".

X-1, 744, 434.04 Y-396, 683.95 El. 1927.170 ft.

Canadian Tri.Sta., (Dewey Co., C.I.A. 1934) Approx. 3.0 mi.S. & 3.0 mi.E. of Seiling; near approx.center SE $\frac{1}{4}$ sec.23, T19N, R16W; on highest point along a bluff on divide between S. & N. Canadian Rivers at edge of bluff overlooking N. Canadian River Valley on property belonging to C.A. DeLong. Mark projects 6 in. above ground. Reached from P.O. in Taloga by going N. on OK.Hwy.#14 for 4.9 mi., or 3.6 mi. beyond N. end of bridge; turn right on T-road & go 2.0 mi.E., turn right & go 1.0 mi.S., turn left & go 3.0 mi.E. to crossroads with school in SE. angle; turn left & go 0.5 mi.N. to Charles Cope's house; turn left into yard & go thru gate at N. end of barnyard; follow dim trail along sec. line for 0.3 mi.N. to fence cor. on left; bear left & follow trail NW. across field for 0.2 mi., pass thru gate & drive 250.0 yds.N. to highest ground & sta. Surface, underground, reference, & azimuth marks are bronze tablets set in conc. & described according to notes 1b, 7a, 11b, & 11a.

X-1, 743, 022.75 Y-402, 721.19 El. 1991.508 ft.

R.M.#1 is 37.028 m. 121.49 ft. in azimuth 161°47'45". El. 1983.936 ft.

R.M.#2 is 51.390 m. (168.60 ft.) in azimuth 59°41'19". El. 1987.370 ft.

Azimuth mark is 0.45 mi.S.SE. of sta. in sec. line fence; 50.0 yds.S. of cor. of fence around cultivated field. Mark projects 6 in. above ground. To reach from sta., follow trail SE. for 0.4 mi. to where it joins sec. line; go 50.0 yds.S. to mark; about 0.45 mi. in azimuth 335°54'55".

El. 1949.761 ft.

14-C-54 TT 1934; Dewey Co., 4.0 mi.S. & 0.8 mi.E. of Seiling along Canton road to large mound covered with sage brush on S. side of road; 104.0 ft.S. & 1277.0 ft.W. of approx.NE.cor.sec.33, T19N, R16W; 66.0 ft.S. of S.R/W fence. USC&GS & State Marker. C/L chimney on N. wing of H.Kimble house about 1 mi. in azimuth 325°37'56"; C/L S.chimney on J.C.Scrubbs house about 1.5 mi. in azimuth 60°05'56".

X-1, 732, 003.57 Y-396, 625.15 El. 1918.144 ft.

14-C-55 TT 1934; Dewey Co., 3.0 mi.S. & 0.2 mi.W. of Seiling; 28.0 ft.S. & 1145.0 ft.W. of approx.NE.cor.sec.29, T19N, R16W; 5.5 ft.S. of W.R/W fence. USC&GS & State Marker. C/L E.chimney on Sallie Peters house about 1 mi. in azimuth 68°55'55"; C/L E.chimney on Irvin Webber house in azimuth 116°23'15".

X-1, 726, 937.68 Y-402, 046.80

14-C-56 TT 1934; Dewey Co., 1.7 mi.W. of SE. limits of Seiling; 42.0 ft.N. & 1434.0 ft.E. of approx.SW.cor.sec.19, T19N, R16W; on N. side of E-W road at ridge line of high hill on property of Joe Lee; 1.0 ft.E. of N-S fence; 21.0 ft.N. of E-W R/W fence. USC&GS & State Marker.

X-1, 719, 115.74 Y-402, 149.43 El. 1936.892 ft.

9-D-36 TT 1934; Junction Station. See Traverse 9-D.

Traverse 15-A; Canadian & Kingfisher Co's.
Caddo Tri. Sta. to Parnell Tri. Sta.
North Projection

Caddo Tri. Sta. See Traverse 14-A.

- 15-A-1 TT 1934; Canadian Co., approx. 4.0 mi.N. & 1.5 mi.W. of El Reno; 1.0 mi.W. & 0.8 mi.N. of intersection of road to Concho & US.Hwy.#81; in approx.NE.cor.SW.sec.18,T13N,R7W; 450.0 ft.S. of tel.line to Concho headquarters, line along N.pasture fence directly S. from angle cross fence to N., on highest point of rolling hill in Concho Indian Reservation. USC&GS & State Marker. C/L Concho W.T. in azimuth $99^{\circ}55'29''$.
X-2,007,362.64 Y-222,618.01 El. 1378.817 ft.
- 15-A-2 TT 1934; Canadian Co., 5.65 mi.N. of El Reno; 8.5 mi.S. of Okarche; in approx.NW.cor.NW.sec.9,T13N,R7W; 4.0 ft.W. of E.R/W fence on US.Hwy.#81; 100.0 ft.N. of cross fence & tel.line W. to Concho headquarters. USC&GS & State Marker. C/L Concho W.T. in azimuth $91^{\circ}38'22''$; C/L NW.cor.brick house about 0.06 mi. in azimuth $189^{\circ}12'52''$.
X-2,012,343.54 Y-223,356.56 El. 1309.687 ft.
- 15-A-3 TT 1934; Canadian Co., 7.0 mi.N. of El Reno; 7.1 mi.S. of Okarche; in approx.SW.cor.NW.sec.4,T13N,R7W; 4.0 ft.W. of E.R/W fence on US.Hwy.#81; 400.0 ft.S. of farm drive to E. USC&GS & State Marker. C/L Concho W.T. in azimuth $57^{\circ}48'32''$.
X-2,012,266.31 Y-230,551.08 El. 1288.502 ft.
- 15-A-4 TT 1934; Canadian Co., 8.1 mi.N. of El Reno; 6.0 mi.S. of Okarche; in approx.NE $\frac{1}{4}$ sec.32,T14N,R7W; 3.0 ft.E. of W.R/W fence on US.Hwy.#81. USC&GS & State Marker. C/L Concho W.T. in azimuth $41^{\circ}10'07''$; C/L Okarche W.T. in azimuth $167^{\circ}51'02''$.
X-2,012,183.23 Y-236,073.00 El. 1258.991 ft.
- 15-A-5 TT 1934; Canadian Co., 8.87 mi.N. of El Reno; 4.93 mi. S. of Okarche; in approx.NW.cor.SW.sec.28,T14N,R7W; 141.0 ft.S. of $\frac{1}{2}$ sec.line; 4.0 ft.W. of E.R/W fence on US.Hwy.#81. USC&GS & State Marker. C/L Concho W.T. in azimuth $33^{\circ}30'53''$; C/L Okarche W.T. in azimuth $165^{\circ}43'48''$.
X-2,012,262.84 Y-240,166.00 El. 1226.218 ft.
- 15-A-6 TT 1934; Canadian Co., 3.65 mi.S. of Okarche; in approx.NE $\frac{1}{4}$ sec.20,T14N,R7W; 4.0 ft.E. of W.R/W fence on US.Hwy.#81; 800.0 ft.S. of Co.road to W. USC&GS & State Marker. C/L Concho W.T. in azimuth $24^{\circ}34'56''$; C/L chimney on 2 story house about 0.75 mi. in azimuth $183^{\circ}47'16''$.
X-2,012,208.10 Y-247,428.88 El. 1199.440 ft.
- 15-A-7 TT 1934; Canadian Co., 2.6 mi.S. of Okarche; in approx.NW $\frac{1}{4}$ sec.16,T14N,R7W; 4.0 ft.W. of E.R/W fence on US.Hwy.#81; 200.0 ft.S. of cross fence to E. USC&GS & State Marker. C/L Concho W.T. in azimuth $20^{\circ}54'48''$; C/L Okarche W.T. in azimuth $153^{\circ}02'58''$; C/L chimney on 2 story house about 0.75 mi. in azimuth $355^{\circ}48'28''$.
X-2,012,297.09 Y-252,370.66 El. 1221.249 ft.
- 15-A-8 TT 1934; Canadian Co., 1.5 mi.S. of Okarche; in approx.NW $\frac{1}{4}$ sec.17,T14N,R7W; 4.0 ft.E. of W.R/W fence on US.Hwy.#81. USC&GS & State Marker. C/L Concho W.T. in azimuth $14^{\circ}53'26''$; C/L Okarche W.T. in azimuth $148^{\circ}57'41''$.
X-2,010,339.92 Y-257,538.16 El. 1232.029 ft.
- 15-A-9 TT 1934; Canadian Co., in RR yards at Okarche; 25.0 ft.SW. of SW.cor. of fence around section house on E. side of tracks; 6.0 ft. above & 50.0 ft.E. of main line of CRI&P RR; 520.0 ft.S. of S. end of depot. USC & GS & State Marker. C/L Okarche W.T. in azimuth $132^{\circ}41'37''$; C/L E.gable on elevator about 5 mi. in azimuth $192^{\circ}36'22''$.
X-2,007,815.25 Y-263,060.85 El. 1242.944 ft.
- 15-A-10 TT 1934; Kingfisher Co., approx. 1.0 mi.N. of Okarche; in approx.NW $\frac{1}{4}$ sec.32,T15N,R7W; 48.0 ft.E. of hwy. & 1 pole N. & 66.0 ft.W. of MP 387-20 between US.Hwy.#81 & CRI&P RR where they begin to run parallel to each other. USC&GS & State Marker. C/L E.gable on elevator about 0.5 mi. in azimuth $16^{\circ}56'18''$; C/L Okarche W.T. in azimuth $41^{\circ}17'18''$; C/L Kingfisher W.T. in azimuth $192^{\circ}51'38''$.
X-2,009,385.27 Y-268,546.62 El. 1215.977 ft.

15-A-11 TT 1934; Kingfisher Co., 2.55 mi.N.of Okarche; 7.45 mi.S.of Kingfisher; in approx. $SE\frac{1}{4}$ sec.20, T15N, R7W; 3.0 ft.E.of W.R/W fence on US.Hwy.#81; 1 - 2/3 poles N.of MP#386 on CRI&P RR. USC&GS & State Marker. C/L Okarche W.T.in azimuth $26^{\circ}25'14''$; C/L Kingfisher W.T.in azimuth $191^{\circ}57'04''$.

X-2,011,774.72 Y-276,294.98 El. 1180.226 ft.

15-A-12 TT 1934; Kingfisher Co., 4.05 mi.N.of Okarche; 5.95 mi.S.of Kingfisher; in approx. $NW\frac{1}{4}$ sec.16, T15N, R7W; 4.0 ft.W.of common R/W fence between US.Hwy.#81 & CRI&P RR; 2 poles S.of MP#384-15. USC&GS & State Marker. C/L Okarche W.T.in azimuth $23^{\circ}23'12''$; C/L Kingfisher W.T.in azimuth $190^{\circ}15'09''$.

X-2,014,294.07 Y-283,841.01 El. 1145.407 ft.

15-A-13 TT 1934; Kingfisher Co., 5.45 mi.N.of Okarche; 4.55 mi.S.of Kingfisher; in approx. $SE\frac{1}{4}$ sec.4, T15N, R7W; 3.0 ft.E.of NW.cor.post at the intersection of US.Hwy.#81 & Co.road. USC&GS & State Marker. C/L Okarche W.T.in azimuth $21^{\circ}38'45''$; C/L Kingfisher W.T.in azimuth $188^{\circ}17'16''$.

X-2,016,356.73 Y-290,752.52 El. 1115.236 ft.

15-A-14 TT 1934; Kingfisher Co., 3.3 mi.S.of Kingfisher; in approx. $SW\frac{1}{4}$ sec.34, T16N, R7W; 3.0 ft.W.of common R/W fence on US.Hwy.#81 & CRI&P RR; 42.0 ft.S.of MP#381-30. USC&GS & State Marker. C/L Okarche W.T. in azimuth $21^{\circ}00'49''$; C/L Kingfisher W.T.in azimuth $184^{\circ}32'07''$; C/L SW.cor. Bob White Mill in Kingfisher in azimuth $190^{\circ}02'12''$.

X-2,018,374.00 Y-296,869.92 El. 1106.964 ft.

15-A-15 TT 1934; Kingfisher Co., 2.33 mi.S.of Kingfisher; in approx. $SW\frac{1}{4}$ sec.27, T16N, R7W; 6.0 ft.W.of common R/W fence on US.Hwy.#81 & CRI&P RR; 2 poles & 30.0 ft.N.of MP#381-00. USC&GS & State Marker. C/L spire on frame Church about 0.5 mi.in azimuth $81^{\circ}59'55''$; C/L Kingfisher W.T.in azimuth $179^{\circ}11'20''$.

X-2,019,891.92 Y-301,500.90 El. 1092.791 ft.

15-A-16 TT 1934; Kingfisher Co., 2.6 mi.S.of Kingfisher; in approx. $SE\frac{1}{4}$ sec.22, T16N, R7W; 12.0 ft.W.of E.R/W fence on US.Hwy.#81; 200.0 ft.N. of PC of first curve S.of Kingfisher. USC&GS & State Marker. C/L Kingfisher W.T.in azimuth $177^{\circ}45'53''$; C/L SW.cor.Bob White Mill Tower in Kingfisher in azimuth $186^{\circ}38'19''$.

X-2,020,143.04 Y-302,948.45 El. 1086.953 ft.

15-A-17 TT 1934; Kingfisher Co., In Kingfisher; Sta.is covered with traffic button set in conc.under paving at intersection of C/L US.Hwy.#81 & OK.Hwy.#33 (Main & Wyatt Sts.) USC&GS & State Marker. C/L Kingfisher W.T.in azimuth $170^{\circ}05'05''$; C/L steeple on Kingfisher Catholic Church in azimuth $185^{\circ}24'47''$.

X-2,020,057.79 Y-311,888.02 El. 1075.795 ft.

15-A-18 TT 1934; Kingfisher Co., In Kingfisher; Sta.is covered with traffic button set in conc.under paving at intersection of C/L Main St. (US.Hwy.#81) & Admire St. USC&GS & State Marker. C/L SW.cor.Bob White Mill Tower in Kingfisher in azimuth $259^{\circ}57'25''$; C/L steeple on Kingfisher Catholic Church in azimuth $358^{\circ}20'55''$.

X-2,020,046.83 Y-314,146.31 El. 1051.936 ft.

15-A-18-A; Kingfisher Co., In Kingfisher; on S.cor.of iron shoe plate upon conc.on which rests S.iron column supporting standpipe to City Water Plant. Mark is sq.bounded by edges of plate & two chisel marks. El. 1057.370 ft.

15-A-19 TT 1934; Kingfisher Co., 0.5 mi.W.of intersection of Main St.& at W.end of Admire St. in Kingfisher; 3.0 ft.E.of W.R/W fence on N-S Co.road. USC&GS & State Marker. C/L SW.cor.Bob White Mill Tower in Kingfisher in azimuth $266^{\circ}19'09''$; C/L Kingfisher W.T.in azimuth $277^{\circ}34'59''$; C/L smokestack on Kingfisher Power Plant in azimuth $294^{\circ}29'19''$.

X-2,017,383.72 Y-314,136.81 El. 1041.979 ft.

15-A-20 TT 1934; Kingfisher Co., 0.5 mi.W.& 0.7 mi.N.of Kingfisher; 550.0 ft.N.& 30.0 ft.E.of approx. SW.cor.sec.10, T16N, R7W; 2.0 ft.W.of E. R/W fence. USC&GS & State Marker. C/L SW.cor.Bob White Mill Tower in Kingfisher in azimuth $310^{\circ}21'58''$; Cross on Kingfisher Catholic Church in azimuth $333^{\circ}01'25''$.

- X-2,017,428.53 Y-317,841.18 El. 1044.695 ft.
 15-A-21 TT 1934; Kingfisher Co., 0.5 mi.W.& 1.1 mi.N.of Kingfisher; in approx.SW.cor.NW.sec.9,T16N,R7W; approx. on $\frac{1}{2}$ sec.line; 3.0 ft.W.of E.R/W fence. USC&GS & State Marker. C/L SW.cor.Bob White Mill Tower in Kingfisher in azimuth $323^{\circ}24'36''$; C/L foot of cross on Kingfisher Catholic Church in azimuth $339^{\circ}43'16''$.
- X-2,017,417.86 Y-319,867.42 El. 1042.752 ft.
 15-A-22 TT 1934; Kingfisher Co., 2.5 mi.N.of Kingfisher; in approx. SW.cor.SE.sec.34,T17N,R7W; 10.0 ft.N.& 3.0 ft.W.of NE.cor.post; intersection of 4th std.parallel & US.Hwy.#81. USC&GS & State Marker. C/L Kingfisher W.T.in azimuth $00^{\circ}45'22''$; C/L SW.cor.Bob White Mill Tower in Kingfisher in azimuth $352^{\circ}52'45''$.
- X-2,019,894.17 Y-327,074.30 El. 1077.556 ft.
 15-A-23 TT 1934; Kingfisher Co., 4.3 mi.N.of Kingfisher; 1300.0 ft. S.of approx.N $\frac{1}{2}$ cor.sec.27,T17N,R7W; 780.0 ft.S.of PC of curve; 4.0 ft.E. of W.R/W fence on US.Hwy.#81. USC&GS & State Marker. C/L steeple on Kingfisher Catholic Church in azimuth $358^{\circ}40'54''$.
- X-2,019,570.37 Y-336,440.92 El. 1093.196 ft.
 15-A-24 TT 1934; Kingfisher Co., 5.5 mi.N.of Kingfisher; in approx. center sec.22,T17N,R7W; on highest point of a rolling hill in a row of locust trees on E-W $\frac{1}{2}$ sec.line; approx. 800.0 ft.W.of 2 story house. USC &GS & State Marker. C/L Kingfisher W.T.in azimuth $01^{\circ}32'30''$.
- X-2,020,460.21 Y-341,401.80 El. 1152.426 ft.
 Burson Tri.Sta., (Kingfisher Co., W.B. 1902; W.M. 1937; K.K.H. 1939) Reached from Kingfisher C.H.by going N. for 4.6 mi.on US.Hwy.#81 to a graded road leading W. where hwy.turns E. Follow graded road W.for 1.6 mi.to cross roads at school. Station is 0.3 mi.W.& 590.0 ft.S.of approx. NE.cor.sec.29,T17N,R7W; 563.0 ft.S.of S.R/W fence; 606.0 ft.S.SW.of fence cor., 238.0 ft.W.of cross fence to S., 72.0 ft.W.of range of N-S fence, said fence is approx. 0.5 mi.S.of sta., Surface mark is destroyed but underground mark is in good condition and is about 2.5 ft.below the surface of ground.
- X-2,009,988.82 Y-337,060.91
 C/L dome on Hennessey schoolhouse in azimuth $197^{\circ}15'08''$; C/L Kingfisher municipal W.T.in azimuth $337^{\circ}18'49''$; C/L cross on Kingfisher Catholic Church in azimuth $337^{\circ}34'31''$; C/L Okarche Catholic Church spire in azimuth $02^{\circ}08'33''$; C/L Okarche elevator in azimuth $01^{\circ}38'08''$; C/L Okarche Lutheran Church tower in azimuth $02^{\circ}46'33''$; C/L Okarche municipal W.T. in azimuth $03^{\circ}10'33''$; C/L sq.tower on left conc.elevator in Hennessey in azimuth $196^{\circ}03'39''$; C/L sq.tower on right conc.elevator in Hennessey in azimuth $196^{\circ}16'53''$; C/L Hennessey municipal W.T.in azimuth $197^{\circ}01'29''$; C/L windmill on farm about 0.17 mi.in azimuth $222^{\circ}39'32''$; C/L chimney on house about 0.17 mi.in azimuth $227^{\circ}44'23''$; C/L R.M. (1902) in azimuth $246^{\circ}24'07''$; C/L belfry on schoolhouse about 0.28 mi.in azimuth $253^{\circ}18'50''$; C/L Kingfisher Burrus elevator in azimuth $333^{\circ}06'09''$; C/L windmill on Burson farm about 0.8 m. in azimuth $23^{\circ}46'44''$; C/L lone windmill in azimuth $143^{\circ}14'14''$.
- 15-A-25 TT 1934; Kingfisher Co., 6.9 mi.N.of Kingfisher; in approx. SW $\frac{1}{2}$ sec.14,T17N,R7W; 200.0 ft.W.of US.Hwy.#81; 4.0 ft.E.of W.R/W fence on CRI&P RR; 114.0 ft.N.of MP#372-25; approx. 1600.0 ft.S.of S.abutment of RR bridge over Cimarron River. USC&GS & State Marker. C/L chimney on frame house about 0.57 mi.in azimuth $120^{\circ}00'36''$; C/L Dover CRI&P RR W.T. in azimuth $182^{\circ}50'21''$.
- X-2,025,133.19 Y-344,939.96 El. 1033.381 ft.
 15-A-26 TT 1934; Kingfisher Co., in Dover RR yards; 9.0 ft.E.of main line of CRI&P RR; 831.0 ft.S.of S.end of RR depot; 856.0 ft.S.of semaphore signal tower opposite depot. USC&GS & State Marker. C/L NE.cor. chimney on house about 0.1 mi.in azimuth $99^{\circ}58'50''$; C/L Dover CRI&P RR W.T.in azimuth $183^{\circ}29'47''$.
- X-2,025,669.31 Y-355,926.27 El. 1031.759 ft.
 15-A-27 TT 1934; Kingfisher Co., 1.5 mi.N.of Dover; in approx.SW.cor.

SE, sec. 26, T18N, R7W; 15.0 ft. E. of W. R/W fence of CRI&P RR; 2 poles & 10.0 ft. N. of MP #369.00. USC&GS & State Marker. C/L NW. cor. Bob White Mill in Kingfisher in azimuth $05^{\circ}09'54''$; C/L SE. cor. chimney on house about 0.95 mi. in azimuth $154^{\circ}23'44''$.

X-2,025,999.75 Y-364,478.07 El. 1089.920 ft.

15-A-28 TT 1934; Kingfisher Co., 3.5 mi. N. of Dover; in approx. NE $\frac{1}{4}$ sec. 23, T18N, R7W; 10.0 ft. W. of E. R/W fence of CRI&P RR; 190.0 ft. S. of switch lever & 66.0 ft. N. of cattle guard; 1-1/3 poles S. of MP #387.00. USC&GS & State Marker. C/L NW. cor. chimney on house about 0.1 mi. in azimuth $48^{\circ}25'00''$; C/L NW. cor. W. chimney on house about 1.5 mi. in azimuth $214^{\circ}29'03''$.

X-2,026,511.97 Y-374,451.15 El. 1104.804 ft.

15-A-29 TT 1934; Kingfisher Co., 3.6 mi. S. of Hennessey; 550.0 ft. S. of N. line sec. 12, T18N, R7W; 3.0 ft. W. of E. R/W fence on US Hwy. #81. USC&GS & State Marker. C/L SE. cor. chimney on house about 0.25 mi. in azimuth $247^{\circ}40'56''$; C/L NW. cor. W. chimney on house about 0.76 mi. in azimuth $351^{\circ}55'06''$.

X-2,029,949.15 Y-384,824.76 El. 1108.483 ft.

15-A-30 TT 1934; Kingfisher Co., 1.8 mi. S. of Hennessey; in approx. NW $\frac{1}{4}$ sec. 36, T19N, R7W; 105.0 ft. N. of house on W. side of US Hwy. #81; 3.0 ft. E. of W. R/W fence. USC&GS & State Marker. C/L Hennessey W.T. in azimuth $180^{\circ}52'06''$.

X-2,029,874.57 Y-394,280.18 El. 1157.133 ft.

15-A-31 TT 1934; Kingfisher Co., 1.3 mi. S. of Hennessey; in approx. SE $\frac{1}{4}$ sec. 25, T19N, R7W; 3.0 ft. W. of 8 in. O.D. pipe used as cor. post in fence; 3.0 ft. W. of E. R/W fence of US Hwy. #81. USC&GS & State Marker. C/L Hennessey W.T. in azimuth $180^{\circ}37'49''$.

X-2,029,943.25 Y-397,249.05 El. 1167.351 ft.

15-A-32 TT 1934; Kingfisher Co., 0.5 mi. S. & 0.5 mi. E. of Hennessey; 37.0 yds. W. of approx. NE. cor. sec. 25, T19N, R7W; in S. fence line. USC&GS & State Marker. C/L Hennessey W.T. in azimuth $249^{\circ}21'31''$.

X-2,032,437.22 Y-401,145.29 El. 1158.772 ft.

15-A-33 TT 1934; Kingfisher Co., 0.5 mi. S. & 1.5 mi. E. of Hennessey; in approx. SE. cor. SE. sec. 19, T19N, R6W; 6.0 ft. W. & 3.0 ft. S. of NW. cor. post at intersection of Co. roads. USC&GS & State Marker. C/L Hennessey W.T. in azimuth $102^{\circ}13'32''$.

X-2,037,939.87 Y-401,202.38 El. 1154.040 ft.

15-A-34 TT 1934; Kingfisher Co., 0.5 mi. S. & 2.75 mi. E. of Hennessey; 1320.0 ft. E. & 30.0 ft. S. of NW. cor. sec. 28, T19N, R6W; 3.0 ft. N. of S. R/W fence line. USC&GS & State Marker. C/L Hennessey W.T. in azimuth $97^{\circ}00'32''$.

X-2,044,631.60 Y-401,124.81 El. 1167.376 ft.

15-A-35 TT 1934; Kingfisher Co., 0.5 mi. S. & 4.0 mi. E. of Hennessey; 0.5 mi. E. of approx. SW. cor. sec. 22, T18N, R6W; in N. fence line. USC&GS & State Marker. C/L steeple on Catholic Church in azimuth $98^{\circ}52'54''$.

X-2,050,666.09 Y-401,136.15 El. 1176.522 ft.

Parnell Tri. Sta., (Kingfisher Co., W. Bowie, 1902) About 6.0 mi. E. & 0.5 mi. S. of Hennessey; 75.0 yds. E. of approx. NW. cor. sec. 26, T19N, R6W; in fence line on S. side of road & on property owned in 1902 by B.H. Parnell. Surface & underground marks are nails in terra-cotta pipes filled with & set in conc., notes 17 & 19. Original reference mark has been destroyed. 3491.6 ft. in azimuth $91^{\circ}13'48''$.

X-2,054,156.76 Y-401,061.40 El. 1174.839 ft.

Traverse 15-B; Kingfisher & Garfield Co's.

15-A-31 TT 1934 to 7-D-3 TT 1934

North Projection

15-A-31 TT 1934; Junction Station. See Traverse 15-A.

15-B-1 TT 1934; Kingfisher Co., In Hennessey; located in an 8 in.

- manhole on C/L Main St. (US.Hwy.#81) at intersection of 6th St. USC&GS & State Marker.
 X-2,029,940.93 Y-402,716.44 El. 1159.471 ft.
 15-B-2 TT 1934; Kingfisher Co., In Hennessey; located in an 8 in. manhole on C/L Main St. (US.Hwy.#81) at intersection of 2nd St. USC&GS & State Marker.
 X-2,029,950.55 Y-404,606.04 El. 1158.335 ft.
 15-B-3 TT 1934; Kingfisher Co., 0.5 mi.N.of Hennessey; in approx. SW.cor.SE.sec.13,T18N,R7W; 3.0 ft.NE.of NE.cor.fence post. USC&GS & State Marker. C/L NW.cor.cupola on conc.elevator in azimuth $10^{\circ}39'40''$;
 X-2,029,992.21 Y-406,520.27 El. 1164.277 ft.
 15-B-4 TT 1934; Kingfisher Co., 2.0 mi.N.of Hennessey; 4.4 mi.S.of Bison; 860.0 ft.N.& 33.0 ft.W.of approx.SE.cor.sec.12,T19N,R7W; in W.R/W fence US.Hwy.#81. USC&GS & State Marker. C/L SW.cor.sq.top 2 story house in azimuth $162^{\circ}18'05''$.
 X-2,032,588.21 Y-412,603.95 El. 1172.093 ft.
 15-B-5 TT 1934; Kingfisher Co., 2.9 mi.N.of Hennessey; 3.5 mi.S.of Bison; 225.0 ft.N.& 30.0 ft.E.of approx.SW.cor.sec.6,T19N,R6W; 3.0 ft.W. of E.R/W fence US.Hwy.#81. USC&GS & State Marker. C/L chimney on sq.top 2 story house in azimuth $140^{\circ}55'42''$; C/L E.gable of Bison's highest elevator in azimuth $180^{\circ}51'42''$.
 X-2,032,675.74 Y-417,240.74 El. 1176.877 ft.
 15-B-6 TT 1934; Kingfisher Co., 3.9 mi.N.of Hennessey; 2.5 mi.S.of Bison; 275.0 ft.N.& 33.0 ft.W.of approx.SE.cor.sec.36,T20N,R7W; in W.R/W fence line US.Hwy.#81. USC&GS & State Marker. C/L chimney on sq. top 2 story house in azimuth $50^{\circ}23'43''$; C/L cross on Bison Catholic Church in azimuth $179^{\circ}56'16''$.
 X-2,032,606.26 Y-422,438.87 El. 1188.994 ft.
 15-B-7 TT 1934; Garfield Co., 4.9 mi.N.of Hennessey; 1.5 mi. S. of Bison; 230.0 ft.N.& 30.0 ft.E.of approx.SW.cor.sec.30,T20N,R6W; 3.0 ft. W.of E.R/W fence on US.Hwy.#81. USC&GS & State Marker. C/L Hennessey W. T.in azimuth $06^{\circ}16'08''$; C/L steeple on Bison Catholic Church in azimuth $178^{\circ}53'02''$.
 X-2,032,724.25 Y-427,684.55 El. 1210.182 ft.
 15-B-8 TT 1934; Garfield Co., 6.05 mi.N.of Hennessey; 0.35 mi.S.of Bison; 1100.0 ft.N.& 28.0 ft.E.of approx.SW.cor.sec.19,T20N,R6W; on the highest point of rolling hill; 5.0 ft.W.of E.R/W fence US.Hwy.#81. USC&GS & State Marker. C/L steeple on Bison Catholic Church in azimuth $148^{\circ}53'33''$; C/L E.gable on Bison's tallest elevator in azimuth $177^{\circ}47'31''$.
 X-2,033,004.77 Y-433,735.67 El. 1244.572 ft.
 15-B-9 TT 1934; Garfield Co., 0.4 mi.N.of Bison; in approx.NE $\frac{1}{4}$ sec. 19,T10N,R7W; on highest point of rolling hill in R/W line between GRI&P RR & US.Hwy.#81, 3 poles S.of MP # 355-00. USC&GS & State Marker. C/L steeple on Bison Catholic Church in azimuth $14^{\circ}55'52''$.
 X-2,033,361.80 Y-437,297.64 El. 1246.885 ft.
 15-B-10 TT 1934; Garfield Co., 1.6 mi.N.of Bison; in approx.SW $\frac{1}{4}$ sec.7,T20N,R6W; 84.0 ft.S.& approx. 300.0 ft.E.of MP #353-3 on GRI&P RR; 2.0 ft.W.of E.R/W fence on US.Hwy.#81. USC&GS & State Marker. C/L hay hanger gable on W.end of barn in azimuth $178^{\circ}07'00''$.
 X-2,033,259.61 Y-443,641.45 El. 1209.452 ft.
 15-B-11 TT 1934; Garfield Co., 2.5 mi.N.of Bison; 3.4 mi.S.of Waukomis; in approx.NE.cor.NE.sec.12,T20N,R7W; 2.0 ft.SW.of SW.cor.fence post at intersection US.Hwy.#81 & Co.road. USC&GS & State Marker. C/L hay hanger gable on W.end of barn in azimuth $188^{\circ}30'24''$; C/L chimney on Community Dance Hall in azimuth $300^{\circ}17'51''$.
 X-2,032,654.32 Y-448,408.13 El. 1244.075 ft.
 15-B-12 TT 1934; Garfield Co., 3.0 mi.N.of Bison; 2.9 mi.S.of Waukomis; in approx.SW.cor.NW.sec.6,T20N,R6W; on highest point of rolling hill in E.R/W fence on US.Hwy.#81. USC&GS & State Marker. C/L Waukomis standpipe in azimuth $167^{\circ}20'09''$.
 X-2,032,719.83 Y-451,325.18 El. 1261.190 ft.

15-B-13 TT 1934; Garfield Co., 2.4 mi.S.of Waukomis; in approx.NE. cor.sec.1,T20N,R7W; 2.0 ft.SW.of SW.cor.post at intersection of US.Hwy. #81 & Co.road. USC&GS & State Marker. C/L Waukomis standpipe in azimuth $165^{\circ}54'20''$.

X-2,032,532.64 Y-453,479.23 El. 1246.689 ft.

15-B-14 TT 1934; Garfield Co., 1.4 mi.S.of Waukomis; in approx.NW. cor.sec.31,T21N,R6W; 37.0 ft.E.of NW.intersection US.Hwy.#81 & Co.road in E.R/W fence. USC&GS & State Marker. C/L Waukomis standpipe in azimuth $154^{\circ}09'08''$; C/L S.gable of Waukomis highest elevator in azimuth $165^{\circ}49'40''$.

X-2,032,544.80 Y-458,870.44 El. 1231.979 ft.

15-B-15 TT 1934; Garfield Co., 94.0 yds.N.of intersection of paved road into Waukomis; in approx.SE $\frac{1}{2}$ sec.24,T21N,R7W; 3.0 ft.E.of W.R/W fence on US.Hwy.#81. USC&GS & State Marker. C/L Waukomis standpipe about 5 mi.in azimuth $61^{\circ}05'47''$; C/L chimney on C.Ridenhier house about 5 mi.in azimuth $178^{\circ}35'27''$; C/L ventilator on Drisel barn about 1.75 mi.in azimuth $324^{\circ}38'23''$.

X-2,032,495.27 Y-466,257.95 El. 1237.032 ft.

15-B-16 TT 1934; Garfield Co., 7.5 mi.S.& 1.0 mi.W.of Enid; 427.0 ft.S.of N.line sec.24,T21N,R7W; 29.72 ft.W.of CRI&P RR track. USC&GS & State Marker.

X-2,030,748.99 Y-468,930.36 El. 1236.967 ft.

Waukomis Tri.Sta.(Garfield Co., W.Bowie, 1902) Approx. 0.75 mi.NW. of Waukomis; in sec.23,T21N,R7W; on property owned in 1902 by J. Crick; about 100.0 m. (328.0 ft.) NW.of his dwelling. Surface & underground marks are iron nails in terra-cotta pipes filled with & set in conc., as described in notes 17 & 19.

X-2,026,610.00 Y-467,453.43

Reference mark is a nail in terra-cotta pipe filled with & set in conc., note 21, in NW.cor.of Mr.Crick's garden, alongside public road; 210.05 m. (689.14 ft.) from sta.in azimuth $317^{\circ}01'04''$.

15-B-17 TT 1934; Garfield Co., 5.5 mi.S.& 1.0 mi.W.of Enid; 522.0 ft.S.of N.line sec.12,T21N,R7W; 295.0 ft.W.of W.rail CRI&P RR in cut bank. USC&GS & State Marker. C/L S.gable on barn about 1.14 mi.in azimuth $263^{\circ}20'04''$.

X-2,030,443.56 Y-479,396.19 El. 1237.401 ft.

15-B-17-A TT 1934; Garfield Co., 4.5 mi.S.& 0.75 mi.W.of Enid; 584.0 ft.S.of N.line sec.1,T21N,R7W; 34.55 ft.W.of RR track; 25.0 ft.N.of guyed tel.pole in CRI&P RR R/W. Is an iron pin cast in place.

X-2,030,292.25 Y-484,630.97

15-B-18 TT 1934; Garfield Co., 4.25 mi.S.& 1.0 mi.W.of Enid; 1381.0 ft.N.of S.line sec.36,T22N,R7W; 63.9 ft.E.of RR track on CRI&P RR R/W. USC&GS & State Marker. C/L cross on Enid new Catholic Church in azimuth $187^{\circ}57'43''$; C/L E.gable of Enid Pillsbury Elevator tower in azimuth $195^{\circ}27'03''$.

X-2,030,693.41 Y-486,509.35 El. 1289.759 ft.

15-B-19 TT 1934; Garfield Co., 2.8 mi.S.of Enid Main St., 3142.0 ft. N.of S.line sec.25,T22N,R7W; 69.95 ft.E.of CRI&P RR track on R/W; 873.0 ft.S.of S.end of underpass on US.Hwy.#81 & 1 3/4 poles S.of MP #344.10 USC&GS & State Marker. C/L E.edge of Enid Terminal elevator tower in azimuth $180^{\circ}57'03''$; C/L cross on Enid new Catholic Church in azimuth $184^{\circ}13'13''$.

X-2,032,675.57 Y-493,489.75 El. 1280.786 ft.

15-B-20 TT 1934; Garfield Co., 2.3 mi.S.of Enid Main St., 29.0 ft. S.& 28.0 ft.W.of approx.NE.cor.sec.25,T22N,R7W; 18.7 ft.W.of pvt.on US. Hwy.#81. USC&GS & State Marker. C/L E.edge of Enid Terminal Elevator tower in azimuth $181^{\circ}50'58''$.

X-2,032,457.30 Y-495,733.72 El. 1259.336 ft.

15-B-21 TT 1934; Garfield Co., 1.5 mi.S.of Enid Main St., 1086.0 ft. W.of approx.NE.cor.sec.24,T22N,R7W; 16.5 ft.W.of pvt.on US.Hwy.#81. USC&GS & State Marker. C/L E.edge of Enid Terminal Elevator tower in azimuth $182^{\circ}34'40''$.

X-2,032,435.42 Y-499,962.59 El. 1252.116 ft.

- 15-B-22 TT 1934; Garfield Co., 0.5 mi.S.of Enid Main St., 9.5 ft. S.of CRI&P RR branch W.to Ringwood; 11.8 ft.W.of pvt.on US.Hwy.#81. USC &GS & State Marker. C/L E.edge of Enid Terminal Elevator tower in azimuth $183^{\circ}46'47''$.
 X-2,032,413.82 Y-503,592.69 El. 1250.722 ft.
- 15-B-23 TT 1934; Garfield Co., In Enid; at SE.cor.W.Main & S. Van Buren St's. USC&GS & State Marker, on curb.
 X-2,032,437.85 Y-507,991.53 El. 1250.294 ft.
- 15-B-24 TT 1934; Garfield Co., In Enid; 329.0 ft.N.of W.Walnut St., on W.side of N. Van Buren St., 30.0 ft.S.of AT&SF RR track. USC&GS & State Marker on curb.
 X-2,032,409.41 Y-511,105.92 El. 1262.102 ft.
- 15-B-25 TT 1934; Garfield Co., 0.5 mi.W.& 1.3 mi.N.of Enid sq., 1509.0 ft.S.& 29.0 ft.E.of approx.NW.cor.sec.31,T23N,R6W; 3.0 ft.W.of E. R/W fence. USC&GS & State Marker. C/L E.edge of Enid Terminal elevator tower in azimuth $349^{\circ}43'49''$.
 X-2,032,444.26 Y-515,339.83 El. 1261.892 ft.
- 7-D-3 TT 1934; Junction Station. See Traverse 7-D.

Traverse 15-C; Kingfisher & Blaine Co's.

15-A-19 TT 1934 to 11-D-56 TT 1938

North Projection

- 15-A-19 TT 1934; Junction Station. See Traverse 15-A.
 ZZ-114 Kingfisher Co., At Kingfisher, set in S.cor.of SE.conc.base to City W.T.across St.from Memorial Hall. Std.disk set in conc.base & stamped ZZ-114 1935.
 El. 1057.314 ft.
- 15-C-1 TT 1935; Kingfisher Co., 1.45 mi.SW.of intersection US.Hwy. #81 & OK.Hwy.#33 at NW.cor.of C.H.block in Kingfisher; 48.0 ft.S.of C/L OK.Hwy.#33; 2.0 ft.N.of S.R/W fence; 680.0 ft.E.of C/L N-S sec.line road. on top of flat hill. USC&GS & State Marker. C/L chimney on farmhouse on top of hill in azimuth $22^{\circ}52'33''$; C/L Kingfisher W.T.in azimuth $249^{\circ}52'12''$; C/L spire on Catholic Church in azimuth $260^{\circ}12'12''$.
 X-2,012,797.30 Y-311,289.08 El. 1062.381 ft.
- YY-114 Kingfisher Co., 2.4 mi.W.of Kingfisher water plant. 0.1 mi. SE.of white frame house set in E.wingwall on N.side of conc.& steel bridge over creek. Std.disk set in conc.wingwall stamped YY-114 1935.
 El. 1057.294 ft.
- 15-C-2 TT 1935; Kingfisher Co., 1.95 mi.SW.of intersection US.Hwy. #81 & OK.Hwy.#33 in Kingfisher; 47.0 ft.S.of C/L OK.Hwy.#33; 2.0 ft.N. of S.R/W fence; 788.0 ft.E.of drive to small yellow farmhouse on S.side of road. USC&GS & State Marker. C/L W.end gable on barn about 0.25 mi. in azimuth $236^{\circ}15'15''$; C/L ball on Kingfisher W.T.in azimuth $252^{\circ}12'31''$; C/L chimney on farmhouse on hill about 1.0 mi.in azimuth $356^{\circ}18'33''$.
 X-2,010,263.76 Y-310,792.84 El. 1056.965 ft.
- 15-C-3 TT 1935; Kingfisher Co., 2.67 mi.SW.of intersection of US. Hwy.#81 & OK.Hwy.#33 in Kingfisher; 67.0 ft.N.of C/L OK.Hwy.#33; 325.0 ft.W.of C/L N-S sec.line road; about 450.0 ft.NW.of sq.white farmhouse with small white tenant house. USC&GS & State Marker. C/L chimney on farm house about 1 mi.in azimuth $180^{\circ}51'39''$; C/L chimney on farmhouse on N. side of OK.Hwy.#33 in azimuth $265^{\circ}06'27''$; C/L chimney on farmhouse in azimuth $335^{\circ}02'49''$.
 X-2,006,502.28 Y-311,786.26 El. 1054.567 ft.
- 15-C-4 TT 1935; Kingfisher Co., 3.68 mi.SW.of intersection of US. Hwy.#81 & OK.Hwy.#33 in Kingfisher; USC&GS & State Marker set in conc. floor of a 238 ft.steel girdered bridge over Kingfisher Creek; about 15 in.S.of curb & 6 in.from E.end of a conc.slab & set in bridge floor; 0.1 mi.W.of sec.cor. C/L N.chimney on farmhouse in azimuth $81^{\circ}19'42''$; C/L ball on Kingfisher W.T.in azimuth $263^{\circ}16'35''$; C/L W.chimney on 2 story farmhouse about 1 mi.in azimuth $355^{\circ}45'12''$.
 X-2,001,158.77 Y-311,665.44 El. 1065.538 ft.

Z-114 Kingfisher Co., 4.6 mi.W.of Kingfisher water plant; 55.0 ft. E.of sec.line road, set in upper most part of E.slanting wingwall of a large conc.culvert; Std.disk set in conc.culvert stamped Z-114 1935.

El. 1071.507 ft.

15-C-5 TT 1935; Kingfisher Co., 5.8 mi.W.of intersection of US.Hwy. #81 & OK.Hwy.#33 in Kingfisher; 65.0 ft.S.of C/L OK.Hwy.#33; 5.4 ft.N. of S.R/W fence; 806.0 ft.W.of sec.cor., 264.0 ft.S.& 664.0 ft.E. of an unpainted farmhouse with two large red barns. USC&GS & State Marker. C/L chimney on farmhouse in azimuth $59^{\circ}27'07''$; C/L N.chimney on 2 story farmhouse about 1 mi.in azimuth $97^{\circ}59'35''$; C/L N.chimney on farmhouse about 0.5 mi.in azimuth $257^{\circ}22'37''$.

X-1,990,229.76

Y-311,512.52

El. 1102.514 ft.

15-C-6 TT 1935; = USC&GS Y-114 1935; Kingfisher Co., 6.8 mi.W. of Kingfisher water plant; 75.0 ft.S.of C/L OK.Hwy.#33; 50.0 ft.E.of C/L sec.line road; 400.0 ft.E.of white frame house. Std.disk set in conc. post stamped Y-114 1935 & 15-C-6 TT 1935. C/L chimney on sq. farmhouse about 1.5 mi.in azimuth $17^{\circ}06'30''$; C/L chimney on farmhouse about 1.5 mi.in azimuth $90^{\circ}49'43''$; C/L S.gable peak of large barn just over hill about 0.5 mi.in azimuth $202^{\circ}17'05''$.

X-1,985,804.68

Y-311,491.92

El. 1111.812 ft.

X-114 Kingfisher Co., 8.6 mi.W.of Kingfisher Water Plant; 75.0 ft. S.of C/L OK.Hwy.#33; 25.0 ft.W.of C/L sec.line road; just outside SW. sec.cor., Std.disk set in conc.post stamped X-114 1935.

El. 1139.112 ft.

15-C-7 TT 1935; Kingfisher Co., 7.8 mi.W.of intersection US.Hwy.# 81 & OK.Hwy.#33 in Kingfisher; 1284.0 ft.W.of C/L N-S sec.line road; 66.0 ft.S.& in line with W.side of small filling station on N.side of road; just SE.of large yellow house. USC&GS & State Marker set flush with top of road. C/L chimney on 1 story farmhouse in azimuth $65^{\circ}19'27''$; C/L W.peak of gable on 2 story house about 0.75 mi.in azimuth $267^{\circ}26'52''$; C/L chimney on 2 story house about 1.5 mi.in azimuth $355^{\circ}12'27''$.

X-1,979,226.78

Y-311,569.93

El. 1135.459 ft.

15-C-8 TT 1935; Kingfisher Co., 8.65 mi.SW.of intersection US.Hwy. #81 & OK.Hwy.#33 in Kingfisher; about 400.0 ft.W.of N-S sec.line road. USC&GS & State Marker set in top & near W.end of S.hdw.of a conc.culvert. C/L peak on E.gable of 2 story house about 0.5 mi.in azimuth $93^{\circ}25'21''$; C/L chimney on farmhouse about 1 mi.in azimuth $271^{\circ}54'50''$; C/L chimney on 2 story brick house about 1.5 mi.in azimuth $358^{\circ}30'45''$.

X-1,974,779.08

Y-311,500.58

El. 1140.372 ft.

15-C-9 TT 1935; Kingfisher Co., 10.5 mi.SW.of intersection US.Hwy. #81 & OK.Hwy.#33 in Kingfisher; NE.of sec.cor.& 154.0 ft.N.of C/L OK. Hwy.#33 from point near PC of W.bound curve; 44.0 ft.E.of NE.R/W fence cor. USC&GS & State Marker. C/L chimney on 2 story farmhouse about 2 mi. in azimuth $10^{\circ}57'37''$; C/L peak E.dormer on S.side of $1\frac{1}{2}$ story farmhouse about 1 mi.in azimuth $165^{\circ}03'42''$; C/L peak of gable on roof of 2 story farmhouse about 1 mi.in azimuth $268^{\circ}39'40''$.

X-1,965,005.50

Y-311,553.12

El. 1148.455 ft.

W-114 Kingfisher Co., 11.2 mi.W.of Kingfisher water plant; 18.0 ft. S.of C/L OK.Hwy.#33, set in S.cor.of SW.wingwall of conc.bridge over a creek; Std.disk set in conc.bridge stamped W-114 1935.

El. 1127.376 ft.

15-C-10 TT 1935; Kingfisher Co., 11.67 mi.SW.of intersection US. Hwy.#81 & OK.Hwy.#33 in Kingfisher; 75.0 ft.SE.of C/L OK.Hwy.#33; 169.0 ft.NE.of C/L N-S sec.line road; 2.3 ft.NE.of E.R/W fence. USC&GS & State Marker. C/L peak N.end gable on farmhouse about 1 mi.in azimuth $41^{\circ}11'47''$; C/L peak S.end gable on farmhouse about 0.2 mi.in azimuth $171^{\circ}04'44''$; C/L peak W.end gable on farmhouse about 1 mi.in azimuth $240^{\circ}42'37''$.

X-1,959,854.75

Y-308,286.68

El. 1127.265 ft.

15-C-11 TT 1935; Kingfisher Co., 13.27 mi.SW.of intersection of US. Hwy.#81 & OK.Hwy.#33 in Kingfisher; 46.0 ft.N.of C/L OK.Hwy.#33; about 0.4 mi.W.of small filling station near PT of road curve; 1.9 ft.S.of N. R/W fence; 57.0 ft.W.of $N\frac{1}{2}$ sec.fence cor. USC&GS & State Marker. C/L

chimney on house about 1 mi. in azimuth $21^{\circ}11'09''$; C/L peak S.gable on large tin barn about 0.75 mi. in azimuth $166^{\circ}10'11''$; C/L peak W.gable on farmhouse about 1 mi. in azimuth $283^{\circ}39'04''$.

X-1,951,764.46 Y-306,250.11 El. 1172.520 ft.

V-114 Kingfisher Co., 12.8 mi. W. of Kingfisher water plant; 150.0 ft. E. of C/L of a triangle made by sec. line road & OK. Hwy. #33; 45.0 ft. S. of OK. Hwy. #33 & 35.0 ft. E. of C/L sec. line road; std. disk set in conc. post stamped V-114 1935.

El. 1139.574 ft.

15-C-12 TT 1935; Kingfisher Co., 13.75 mi. SW. of intersection US. Hwy. #81 & OK. Hwy. #33 in Kingfisher; 76.0 ft. S. of C/L OK. Hwy. #33; 1.0 mi. E. of filling station on S. side of road; 1.0 mi. W. of small filling station near PT of road curve; 25.0 ft. E. of C/L N-S sec. line road in NW. cor. of cultivated field. USC&GS & State Marker. C/L peak N.gable on farmhouse about 1 mi. in azimuth $01^{\circ}48'14''$; C/L peak E.gable on 2 story brick farm house about 2 mi. in azimuth $90^{\circ}51'54''$; C/L peak W. end gable on farm house on hill top in azimuth $278^{\circ}19'54''$.

X-1,949,215.31 Y-306,124.02 El. 1187.785 ft.

15-C-13 TT 1935; Kingfisher Co., 15.64 mi. SW. of intersection of US. Hwy. #81 & OK. Hwy. #33 in Kingfisher; 45.0 ft. N. of C/L OK. Hwy. #33; 2.0 ft. S. of N.R/W fence; directly S. of E. side produced of a large brick farm house; 594.0 ft. E. of Kingfisher-Blaine Co. Line. USC&GS & State Marker. C/L peak N.gable on farmhouse about 0.25 mi. in azimuth $45^{\circ}59'31''$; C/L chimney on large 2 story house about 1.5 mi. in azimuth $213^{\circ}30'55''$; C/L peak W.gable on $1\frac{1}{2}$ story house about 1 mi. in azimuth $279^{\circ}01'26''$.

X-1,939,361.34 Y-306,236.14 El. 1216.769 ft.

U-114 Kingfisher Co., 12.6 miles E. of CRI&P RR depot at Watonga; 165.0 ft. NW. of NW. cor. of Sneathville Service Station; 60.0 ft. N. of C/L OK. Hwy. #33; 30.0 ft. W. of C/L sec. line road. std. disk set in conc. post & stamped U-114 1935.

El. 1201.113 ft.

15-C-14 TT 1935; Blaine Co., (Reset 1938) 9.1 miles E. of SE. cor. of Watonga; 659.0 ft. E. & 49.5 ft. S. of approx. NW. cor. sec. 26, T16N, R10W; 1.5 ft. N. of S.R/W fence of new US. Hwy. #270. OSCC Marker.

X-1,928,871.72 Y-306,189.22 El. 1242.263 ft.

15-C-15 TT 1935 = USC&GS S-114 (Reset 1938) Blaine Co., 8.0 mi. E. of SE. cor. of Watonga; 20.0 ft. S. & 225.0 ft. W. of approx. NE. cor. sec. 28, T16N, R10W; on E. end of S. hdw. of a 5 x 5 ft. conc. culvert under new US. Hwy. #270. Std. USC&GS EM stamped S-114 1935 & 15-C-15 TT 1935.

X-1,922,720.85 Y-306,239.65 El. 1256.070 ft.

15-C-16 TT 1935; Blaine Co., 7.55 mi. E. of SE. cor. of Watonga; 19.2 mi. SW. of Kingfisher; 1.0 mi. E. of small filling station on S. side of OK. Hwy. #33; 10.5 ft. N. of high line poles on N. side of hwy., 2.4 ft. W. of $\frac{1}{2}$ sec. fence line. USC&GS & State Marker. C/L peak E.gable on house about 1 mi. in azimuth $86^{\circ}26'32''$; C/L peak S. cupola on $1\frac{1}{2}$ story farmhouse about 2 mi. in azimuth $219^{\circ}06'25''$; C/L peak W.gable on 2 story brick farmhouse about 3.5 mi. in azimuth $270^{\circ}13'35''$.

X-1,920,294.32 Y-306,326.97 El. 1292.224 ft.

15-C-17 TT 1935; Blaine Co., 5.0 mi. E. of SE. cor. of Watonga; 21.7 mi. SW. of Kingfisher; 100.0 ft. S. of C/L OK. Hwy. #33 on top of high N-S rocky hill; 78.0 ft. N. of high line pole #22; 30.0 ft. W. of sec. line fence extending S. USC&GS & State Marker. C/L S. end peak of roof on stucco bungalow about 3 mi. in azimuth $164^{\circ}28'05''$; C/L Kingfisher W.T. in azimuth $266^{\circ}13'43''$.

X-1,907,347.39 Y-306,415.65 El. 1502.115 ft.

15-C-18 TT 1935; Blaine Co., 4.6 mi. E. of SE. cor. of Watonga; 30.0 ft. N. of C/L OK. Hwy. #33; 3.6 ft. S. of N.R/W fence; near top of start of breaks when headed E., 0.8 ft. S. of high line. USC&GS & State Marker. C/L peak N. end gable of farmhouse about 0.5 mi. in azimuth $18^{\circ}59'13''$; C/L peak S. end roof of stucco house about 2 mi. in azimuth $170^{\circ}56'48''$; C/L peak W. end gable on farmhouse about 2 mi. in azimuth $271^{\circ}03'31''$.

X-1,905,423.94 Y-306,347.11 El. 1536.487 ft.

15-C-18-A TT 1934; (Reset 1938); Blaine Co., 4.0 mi. E. of SE. cor. of Watonga; 51.0 ft. S. & 28.0 ft. E. of approx. NW. cor. sec. 25, T16N, R11W; 1.0

ft.S.of S.R/W fence line of new US.Hwy.#270; 46.0 ft.N.& 12.0 ft.E. of OG&E pole Geary Tap #0118; is a nail set in 1½ in.pipe set in conc.
 X-1,902,035.27 Y-306,269.71 El. 1555.332 ft.

Q-114 Blaine Co., 4.2 mi.E.of CRI&P RR depot at Watonga; 92.0 ft. W.of NW.cor.of lot of small yellow farm house; 40.0 ft.S.of C/L OK.Hwy.#33; std.disk set in conc.post stamped Q-114 1935. El. 1553.760 ft.

15-C-19 TT 1935; (Reset 1938) Blaine Co., 3.15 mi.E.of SE.cor. of Watonga; 49.0 ft.N.& approx. 740.0 ft.E.of approx.SW.cor.sec.23,T16N, R11W; 1.0 ft.S.of N.R/W fence of new US.Hwy.#270; 34.0 ft.E.& 20.0 ft. S.of cor.post of T-fence to N., 1.0 ft.N.& 28.0 ft.W.of REA pole. OSCC Marker.
 X-1,897,493.43 Y-306,402.65 El. 1583.391 ft.

PP-114 Blaine Co., 2.1 mi.E.of CRI&P RR depot at Watonga; 30.0 ft. S.of C/L OK.Hwy.#33; 18.0 ft.W.of NW.cor.of lot of small frame house. Std.disk set in conc.post stamped PP-114 1935. El. 1541.713 ft.

15-C-20 TT 1935; (Reset 1938) Blaine Co., 2.1 mi.E.of SE.cor.of Watonga; 47.5 ft.S.& approx. 670.0 ft.E.of approx.NW.cor.sec.27,T16N, R11W; 2.5 ft.N.of S.R/W fence of new US.Hwy.#270; 47.0 ft.E.& 87.0 ft. N.of NE.cor.of small farmhouse; 64.0 ft.W.of phone pole. OSCC Marker.
 X-1,892,222.47 Y-306,326.71 El. 1577.230 ft.

15-C-21 TT 1935; (Reset 1938) Blaine Co., 0.8 mi.E.of SE.cor.of Watonga; 49.0 ft.N.& approx. 740.0 ft.W.of approx.SE.cor.sec.20,T16N, R11W; 1.0 ft.S.of N.R/W fence; new US.Hwy.#270; 234.0 ft.E.of small house S.of road; 100.0 ft.W.of REA pole. OSCC Marker.
 X-1,885,322.10 Y-306,455.39 El. 1531.028 ft.

15-C-22 TT 1935; (Reset 1938) Blaine Co., approx. 0.3 mi.W.of S. edge of SE.cor.of Watonga; 560.0 ft.E.of E.rail CRI&P RR; 38.0 ft.S.of C/L US.Hwy.#270; 12.0 ft.N.of S.R/W fence; on W.property line of N-S street projected. OSCC Marker.
 X-1,879,424.45 Y-306,412.95 El. 1515.001 ft.

LL-114 Blaine Co., At Watonga, set in NE.cor.of S.one of two E. bases of CRI&P RR W.T., 165.0 ft.N.of depot; 9.0 ft.W.of nearest rail of a main track. El. 1515.417 ft.

15-C-23 TT 1935; Blaine Co., 0.25 mi.E.of jct.US.Hwy.#270 & OK.Hwy.#33 at SW.cor.of Watonga; on N.side of "C" St.which is sec.line road; 1118.0 ft.E.of E.rail of CRI&P RR main track on W.side of town; 94.0 ft. E.of E.line of Locust St., just SE.of small conc.block house; 7.0 ft.S. of blazed 18 in.locust tree. OSCC Marker.
 X-1,877,039.70 Y-306,504.13 El. 1514.542 ft.

15-C-24 TT 1937 (Reset 1938) Blaine Co., 1.0 mi.W.of SW.cor. of Watonga; 53.0 ft.S.& 99.0 ft.W.of approx.NE.cor.sec.26,T16N,R12W; 2.0 ft.N.of S.R/W fence. OSCC Marker.
 X-1,870,446.76 Y-306,442.20 El. 1493.260 ft.

15-C-25 TT 1937 (Reset 1938) Blaine Co., 1.8 mi.W.of SW.cor. of Watonga; near approx.NW.cor.NE.NW.sec.26,T16N,R12W; 18.0 ft.S.of C/L of US.Hwy.#270; in top of E.post of S.guard rail of second relief opening E.of new river bridge. OSCC Marker. C/L S.gable on E.side of farmhouse about 3 mi.in azimuth 89°35'23"; C/L Watonga W.T.in azimuth 262°55'13".
 X-1,866,006.95 Y-306,509.85 El. 1520.076 ft.

BM-A; RR spike 18 in.from ground in N.side of an 18 in.elm tree; 65.0 ft.S.of C/L OK.Hwy.#33; 30.0 ft.N.of S.R/W fence; 150.0 ft.E.of high sand dune on S.side of OK.Hwy.#33; 1.65 mi.W.of intersection of US.Hwy.#270 & OK.Hwy.#33 at SW.cor.of Watonga. El. 1485.521 ft.

BM-B; RR spike in creosoted tel.pole on N.R/W line, near top of approx. 03° grade; approx. 2.0 mi.W.of intersection US.Hwy.#270 & OK.Hwy.#33 at SW.cor.of Watonga; spike is on S.side of pole near ground level. top of first grade E.of N.Canadian River bridge. El. 1489.849 ft.

BM-C; RR spike 6 in.from ground on S.side of creosoted pine pile bridge over N.Canadian River; approx. 2.5 mi.W.of intersection of OK.Hwy.#33 & US.Hwy.#270 at SW.cor.of Watonga; in extreme SE.pile of the 2nd pile pier NE.of the first conc.pier as you go W.on OK.Hwy.#33.
 El. 1481.042 ft.

BM-D; Chisel mark on C/L of N.end of conc.front porch of 1 story frame farmhouse in approx.NE.NE.NE.sec.28,T16N,R12W; on OK.Hwy.#33 & US.Hwy.#270; 3.0 mi.W.of intersection of said roads at SW.cor.of Watonga.
El. 1515.194 ft.

15-C-26 TT 1936; Blaine Co., 3.85 mi.W.of SW.cor.of Watonga; near approx.SW.cor.SE.SW.sec.21,T16N,R12W; 77.0 ft.N.& 855.0 ft.E.of SW.cor.said sec., 130.0 ft.N.of phone line; 132.0 ft.N.of S.R/W fence of US.Hwy.#270. OSCC Marker. C/L S.gable on E.side of farmhouse about 1 mi. in azimuth $87^{\circ}12'12''$; C/L Watonga W.T.in azimuth $266^{\circ}32'24''$.
X-1,855,433.32 Y-306,655.43

14-C-16 TT 1934; Junction Station. See Traverse 14-C.

15-C-27 TT 1939; Blaine Co., 1.25 mi.W.of NW.cor.of Watonga; 915.0 ft.W.& 29.0 ft.N.of approx.SE.cor.sec.14,T16N,R12W; 1.0 ft.N.of N.R/W fence; 24.0 ft.W.of C/L of cross fence to S. OSCC Marker. C/L chimney on 1 story house on horizon about 4.5 mi.in azimuth $52^{\circ}24'29''$; C/L ventilator on barn about 1.75 mi.in azimuth $155^{\circ}19'34''$; C/L E.chimney on 1 story house about 0.25 mi.in azimuth $301^{\circ}24'24''$.
X-1,869,609.05 Y-311,820.53 El. 1498.906 ft.

15-C-28 TT 1939; Blaine Co., 2.0 mi.N.& 1.4 mi.W.of NW.cor.of Watonga; 2191.0 ft.W.& 28.0 ft.N.of approx.SE.cor.sec.11,T16N,R16W; 1.0 ft.S.of N.R/W fence. OSCC Marker. C/L chimney on house about 5 mi.in azimuth $40^{\circ}18'26''$; C/L chimney on house about 0.5 mi.in azimuth $138^{\circ}43'21''$; C/L chimney on house about 0.5 mi.in azimuth $268^{\circ}18'38''$.
X-1,868,349.94 Y-317,109.49 El. 1513.381 ft.

15-C-29 TT 1939; Blaine Co., 2.0 mi.W.& 1.25 mi.N.of NW.cor.of Watonga; 1387.0 ft.N.& 22.0 ft.E.of Approx.SW.cor.sec.11,T16N,R12W; 8.0 ft.N.of N.gate post to machinery entrance in E.R/W fence; 1.0 ft.W.of E.R/W fence. OSCC Marker. C/L chimney on house about 0.75 mi.in azimuth $143^{\circ}16'06''$; C/L chimney on house about 0.33 mi.in azimuth $256^{\circ}26'06''$; C/L chimney on house about 1.5 mi.in azimuth $324^{\circ}53'11''$.
X-1,865,341.80 Y-318,452.60 El. 1504.052 ft.

15-C-30 TT 1939; Blaine Co., 3.0 mi.N.& 2.0 mi.W.of NW.cor.of Watonga; 1124.0 ft.E.& 30.0 ft.N.of approx.SW.cor.sec.30,T17N,R12W; 30.0 ft.N.& 15.0 ft.W.of closing cor.to sec's. 2 & 3,T16N,R12W; 77.0 ft.NW.of an 12 in.cor.post; 230.0 ft.W.of cross fence to N., 1.0 ft.S.of N.R/W fence. OSCC Marker. C/L ventilator on barn about 5 mi.in azimuth $08^{\circ}59'08''$; C/L chimney on schoolhouse about 2.5 mi.in azimuth $56^{\circ}56'36''$; C/L chimney on 2 story house about 4 mi.in azimuth $93^{\circ}07'48''$.
X-1,865,389.39 Y-327,477.27 El. 1590.940 ft.

15-C-31 TT 1939; Blaine Co., 4.0 mi.N.& 2.0 mi.W.of NW. cor. of Watonga; 1555.0 ft.E.& 25.0 ft.N.of approx.SW.cor.sec.26,T17N,R12W; 2.0 ft.N.of N.R/W fence. OSCC Marker. C/L chimney on house about 2.5 mi.in azimuth $89^{\circ}53'41''$; C/L S.peak of roof on barn about 0.75 mi.in azimuth $215^{\circ}49'41''$; C/L NW.cor.of house about 0.5 mi.in azimuth $337^{\circ}04'09''$.
X-1,865,859.95 Y-332,741.27 El. 1594.887 ft.

15-C-32 TT 1939; Blaine Co., 5.6 mi.N.& 2.0 mi.W.of approx.NW.cor. of Watonga; 528.0 ft.N.& 35.0 ft.W.of approx.E $\frac{1}{2}$ cor.sec.22,T17N,R12W; on a 20 ft.cut bank; about 100.0 ft.N.of peak of hill; 2.0 ft.E.of W.R/W fence. OSCC Marker. C/L chimney on 1 story house about 0.75 mi.in azimuth $118^{\circ}42'07''$; C/L chimney on 2 story house about 0.75 mi.in azimuth $182^{\circ}34'07''$; C/L W.chimney on house about 0.25 mi.in azimuth $269^{\circ}06'09''$.
X-1,864,348.21 Y-341,178.33 El. 1622.751 ft.

15-C-33 TT 1939; Blaine Co., 6.4 mi.N.& 2.0 mi.W.of NW.cor.of Watonga; 1875.0 ft.N.& 290.0 ft.E.of approx.SW.cor.sec.14,T17N,R12W; 2.0 ft.E.of N-S woven wire fence; 91.0 ft.N.of cross fence to E.on top of a NE-SW sand ridge. OSCC Marker. C/L chimney on 2 story house about 0.37 mi.in azimuth $112^{\circ}00'32''$; C/L chimney on 2 story house about 0.5 mi.in azimuth $251^{\circ}37'47''$; C/L W.chimney on house about 0.75 mi.in azimuth $343^{\circ}41'39''$.
X-1,864,689.10 Y-345,209.76 El. 1633.559 ft.

11-D-56 TT 1938; Junction Station. See Traverse 11-D.

Traverse 15-D; Blaine, Dewey, & Custer Co's.
 14-C-21 TT 1936 to 9-D-60 TT 1934
 North Projection

- 14-C-21 TT 1934 (Reset 1936) Junction Station. See Traverse 14-C.
 15-D-1 TT 1935; Blaine Co., 11.0 mi.W.of Watonga; about 0.8 mi.SW. of "Y" intersection of US.Hwy.#270 & OK.Hwy.#35; near approx.SE.cor.NE. sec.29,T16N,R13W; 51.0 ft.S.of C/L OK.Hwy.#33 & #35; 15.0 ft.W.of 4 in. oak tree in S.R/W fence; 2.0 ft.N.of said fence. USC&GS & State Marker. C/L peak E.end gable on farmhouse about 3 mi.in azimuth $75^{\circ}32'00''$; C/L chimney on farmhouse on hill about 0.75 mi.in azimuth $216^{\circ}04'02''$; C/L peak W.end of roof on 2 story farmhouse in azimuth $253^{\circ}53'40''$.
 X-1,822,072.74 Y-304,636.31 El. 1819.471 ft.
- 15-D-2 TT 1935; Blaine Co., About 1.25 mi.SW.via OK.Hwy.#33 from its intersection with US.Hwy.#270; near center sec.29,T16N,R13W; 50.0 ft.N.of C/L hwy., 389.8 ft. & 384.0 ft.NE.of two large trees near N.R/W fence cor., 444.0 ft.NE.of this fence cor. USC&GS & State Marker. C/L Thomas W.T.in azimuth $55^{\circ}06'11''$; C/L chimney on farmhouse about 0.75 mi. in azimuth $178^{\circ}36'43''$; C/L peak W.end of roof on 2 story farmhouse in azimuth $251^{\circ}10'03''$.
 X-1,819,667.41 Y-303,700.92 El. 1817.537 ft.
- 15-D-3 TT 1935; Dewey Co., About 2.8 mi.SW.via OK.Hwy.#33 from its intersection with US.Hwy.#270; 1.45 mi.NE.of RR depot at Fay; near center E.line NE.sec.36,T16N,R14W; 49.0 ft.S.of C/L hwy & 494.0 ft.SW.of Blaine-Dewey Co.line; 2.6 ft.S.of S.R/W fence; 21.8 ft.N.of blazed 15 in.oak tree. USC&GS & State Marker. C/L Thomas W.T.in azimuth $53^{\circ}07'10''$; C/L spire on church near school bldg.in Fay in azimuth $67^{\circ}54'30''$; C/L peak S.end gable on farmhouse about 1.5 mi.in azimuth $165^{\circ}36'45''$.
 X-1,812,379.61 Y-300,434.41 El. 1774.551 ft.
- 15-D-4 TT 1935; Custer Co., About 0.25 mi.E.& 0.35 mi.S.of RR depot in Fay; near approx.SE.cor.NE.sec.2,T15N,R14W; 214.0 ft.W.of C/L N-S sec. line road near high part of a sandy knoll; 377.0 ft.N.of $\frac{1}{2}$ sec.line fence cor., 2.7 ft.E.of W.R;W fence. USC&GS & State Marker. C/L Thomas W.T. in azimuth $55^{\circ}55'34''$; C/L spire on church in Fay near school in azimuth $145^{\circ}48'24''$; C/L peak S.gable on S.side of $1\frac{1}{2}$ story farmhouse about 0.5 mi.in azimuth $240^{\circ}01'39''$.
 X-1,807,379.58 Y-294,502.92 El. 1687.540 ft.
- 15-D-5 TT 1935; Custer Co., About 2.05 mi.S.& 0.25 mi.E.of RR depot in Fay; 248.0 ft.S.& 21.4 ft.W.of approx.NE.cor.sec.14,T15N,R14W; 198.0 ft.S.& 40.0 ft.E.of SE.cor.of farmhouse. USC&GS & State Marker. C/L Thomas W.T.in azimuth $69^{\circ}33'34''$; C/L peak E.end gable on farmhouse across river about 4 mi.in azimuth $110^{\circ}43'09''$; C/L chimney on house on skyline about 3 mi.in azimuth $359^{\circ}36'46''$.
 X-1,807,330.16 Y-285,524.99 El. 1576.382 ft.
- 15-D-6 TT 1935; Custer Co., 2.48 mi.S.of RR depot in Fay via OK.Hwy. #33; near approx.SW.cor.NW.sec.14,T15N,R14W; monument set in hwy.about 8 in.below graveled surface & about 2.0 ft.from E.edge of hwy., 205.0 ft. S.of E.hdw.of an 4 x 2 x 20 ft.conc.culvert; 50.0 ft.W.of E.R/W fence; 1178.0 ft.from N.end of conc.bridge over S.Canadian River; 256.0 ft.E.of N-S sec.line trail. USC&GS & State Marker. C/L peak S.gable on brick house on hill top about 2 mi.in azimuth $181^{\circ}35'08''$; C/L chimney on house on skyline about 3 mi.in azimuth $224^{\circ}55'55''$; C/L peak W.end gable on farmhouse about 1 mi.in azimuth $252^{\circ}45'43''$.
 X-1,802,286.64 Y-284,195.06 El. 1544.179 ft.
- 15-D-7 TT 1935; Custer Co., 3.62 mi.SW.of depot at Fay via OK.Hwy. #33; in approx.N $\frac{1}{2}$ sec.22,T15N,R14W; 1673.0 ft.SW.of SW.end of conc. bridge over S.Canadian River; in pasture at top of hwy.cut; 21.6 ft.S.of S. R/W fence; 103.0 ft.from tel.pole at top of cut. USC&GS & State Marker. C/L N.end peak roof on large barn by windmill in azimuth $21^{\circ}16'42''$; C/L Thomas W.T.in azimuth $76^{\circ}46'20''$; C/L chimney on house on hill top about 4 mi.in azimuth $222^{\circ}57'00''$.
 X-1,798,628.74 Y-279,426.20 El. 1642.598 ft.

15-D-8 TT 1935; Custer Co., 3.5 mi.NE.of Frisco RR depot at Thomas via OK.Hwy.#33; near approx.SE.cor.NE.sec.21,T15N,R14W; 62.4 ft.S.of C/L OK.Hwy.#33; 20.0 ft.W.of C/L N-S sec.line road; in cor.of field; 356.0 ft.N.of $\frac{1}{2}$ sec.line fence. USC&GS & State Marker. C/L peak on N.end of roof on barn by windmill in azimuth $16^{\circ}54'23''$; C/L Thomas W.T.in azimuth $78^{\circ}42'43''$; C/L peak S.dormer on farmhouse just over hill in azimuth $148^{\circ}34'46''$.

X-1,796,754.90 Y-278,311.66 El. 1658.546 ft.

15-D-9 TT 1935; Custer Co., 1.0 mi.E.& 0.5 mi.N.of Frisco RR depot in Thomas; near center S.line NE.sec.30,T15N,R14W; 1300.0 ft.E.of C/L OK.Hwy.#33; 2.0 ft.S.of N.R/W fence; 19.7 ft.N.of C/L E-W $\frac{1}{2}$ sec. line road; 391.0 ft.SW.of farmhouse. USC&GS & State Marker. C/L Thomas W.T. in azimuth $103^{\circ}45'00''$; C/L S.end peak on school bldg. about 4.5 mi.in azimuth $185^{\circ}20'30''$; C/L cupola on W.side of farmhouse about 3 mi. in azimuth $286^{\circ}53'45''$.

X-1,785,217.15 Y-272,748.55 El. 1768.714 ft.

15-D-10 TT 1935; Custer Co., 447.0 ft.SW.of Frisco RR depot in Thomas; about 0.2 mi.W.& 28.0 ft.S.of approx.NE.cor.sec.36,T15N,R15W; 165.0 ft.W.of W.rail of main track; 28.0 ft.S.of C/L E-W sec.line road on S.side of Thomas, directly S.of scales, office & elevator house. USC &GS & State Marker. C/L chimney on large $2\frac{1}{2}$ story brick house about 1 mi.in azimuth $57^{\circ}53'56''$; C/L Thomas W.T.in azimuth $154^{\circ}40'11''$; C/L peak of S.end of roof on Thomas depot in azimuth $233^{\circ}05'06''$.

X-1,779,997.20 Y-270,062.20 El. 1734.294 ft.

15-D-11 TT 1935; Custer Co., 0.25 mi.W.of sec.cor.at SW.cor.of Thomas; near approx.SW.cor.SE.SE.sec.26,T15N,R15W; 44.8 ft.N.of C/L OK.Hwy.#33, in W.edge of field; 3.5 ft.E.of private road fence; 18.0 ft.N. of N.R/W fence. USC&GS & State Marker. C/L peak N.dormer on E.side of 2 story house on S.side of St.about 1 mi.in azimuth $90^{\circ}13'01''$; C/L peak S.end roof on house about 1 mi.in azimuth $166^{\circ}58'13''$; C/L Thomas W.T.in azimuth $219^{\circ}31'18''$.

X-1,774,264.46 Y-270,167.93 El. 1738.754 ft.

15-D-12 TT 1935; Custer Co., about 2.1 mi.W.of Thomas; near approx. SE.cor.sec.28,T15N,R15W; 28.0 ft.N.of C/L OK.Hwy.#33; 189.0 ft.N.of W. side extended of $1\frac{1}{2}$ story farmhouse S.of hwy., 540.0 ft.W.of N-S sec. line. USC&GS & State Marker. C/L peak of S.end roof on house about 1 mi. in azimuth $148^{\circ}49'28''$; C/L Thomas W.T.in azimuth $252^{\circ}33'18''$; C/L chimney on farmhouse about 2 mi.in azimuth $341^{\circ}19'30''$.

X-1,764,561.07 Y-270,360.65 El. 1762.380 ft.

15-D-13 TT 1935; Custer Co., about 2.65 mi.W.of Thomas; near center N.line NW.sec.33,T15N,R15W; 23.0 ft.S.of C/L OK.Hwy.#33; 11.0 ft.E.& 4.0 ft.N.of NW.cor.of 1 story farmhouse yard; at NE.cor.of small orchard. USC&GS & State Marker. C/L chimney on bungalow about 2.5 mi.in azimuth $89^{\circ}29'50''$; C/L chimney on 2 story house about 3 mi.in azimuth $163^{\circ}52'00''$; C/L Thomas W.T.in azimuth $255^{\circ}26'03''$.

X-1,761,665.09 Y-270,331.81 El. 1794.696 ft.

15-D-14 TT 1935; Custer Co., about 3.9 mi.W.of Thomas; 457.0 ft.E.& 29.0 ft.N.of approx.SW.cor.sec.29,T15N,R15W; 29.0 ft.N.of C/L OK.Hwy.# 33; 6.0 ft.W.of W.side of extended 1 story farmhouse; 2.5 ft.S.of SW.cor. of yard fence. USC&GS & State Marker. C/L Custer City W.T.in azimuth $35^{\circ}36'59''$; C/L chimney on house about 2 mi.in azimuth $89^{\circ}00'26''$; C/L peak N.end roof on schoolhouse about 1 mi.in azimuth $316^{\circ}26'12''$.

X-1,755,042.02 Y-270,414.09 El. 1807.241 ft.

15-D-15 TT 1935; Custer Co., 4.0 mi.W.& approx. 0.85 mi.S.of Thomas; 902.0 ft.N.& 37.0 ft.W.of approx.SE.cor.sec.31,T15N,R15W; 36.7 ft.W.of C/L OK.Hwy.#33; 2.5 ft.E.of W.R/W fence; 130.0 ft.S.of S.gate post of farm gate on W.side of hwy. USC&GS & State Marker. C/L Custer City W.T. in azimuth $39^{\circ}47'06''$; C/L chimney on house about 2 mi.in azimuth $104^{\circ}37'36''$; C/L Thomas W.T.in azimuth $249^{\circ}48'04''$.

X-1,754,473.97 Y-266,010.22 El. 1790.119 ft.

15-D-16 TT 1935; Custer Co., 4.0 mi.W.& 2.0 mi.S.of Thomas; near

approx. SW. cor. sec. 5, T14N, R15W; 29.6 ft. E. of C/L OK. Hwy. #33 & 30.6 ft. N. of C/L E-W sec. line road; 1.0 ft. S. of highline poles; 5.0 ft. E. of E.R/W fence. USC&GS & State Marker. C/L Custer City W.T. in azimuth $49^{\circ}08'57''$; C/L chimney on farmhouse about 3 mi. in azimuth $116^{\circ}30'27''$; C/L peak of belfry on school bldg. about 2.5 mi. in azimuth $282^{\circ}26'24''$.

X-1,754,539.29 Y-259,834.52 El. 1751.784 ft.

15-D-17 TT 1935; Custer Co., 4.0 mi. W. & 3.8 mi. S. of Thomas; near center of E. line approx. SE $\frac{1}{4}$ sec. 18, T14N, R15W; 24.0 ft. W. of C/L OK. Hwy. #33; just in edge of cultivated field S. of Frisco RR. USC&GS & State Marker. C/L comb of roof on N. end of house on hill in azimuth $15^{\circ}20'58''$; C/L comb on E. end of roof on house on hill in azimuth $124^{\circ}39'53''$; C/L Thomas W.T. in azimuth $224^{\circ}04'30''$.

X-1,754,395.03 Y-250,296.31 El. 1725.936 ft.

15-D-18 TT 1935; Custer Co., 5.0 mi. S. & about 4.3 mi. W. of Thomas; 1696.0 ft. W. & 27.0 ft. N. of approx. SE. cor. sec. 19, T14N, R15W; 2.0 ft. S. of N.R/W fence OK. Hwy. #33; 135.0 ft. N. of E. side produced of $1\frac{1}{2}$ story farm house which is S. of hwy. USC&GS & State Marker. C/L Custer City W.T. in azimuth $88^{\circ}55'35''$; C/L Thomas W.T. in azimuth $219^{\circ}36'25''$; C/L cupola on W. side of house about 0.5 mi. in azimuth $302^{\circ}11'25''$.

X-1,752,663.75 Y-244,068.82 El. 1779.823 ft.

15-D-19 TT 1935; Custer Co., 5.0 mi. S. & 6.0 mi. W. of Thomas; near approx. SW. cor. sec. 24, T14N, R16W; 1.0 mi. E. of RR crossing on OK. Hwy. #33 at NE. cor. of Custer City; 25.0 ft. N. of C/L hwy. & 30.0 ft. E. of C/L N-S sec. line road; 5.7 ft. E. of NE. R/W fence cor. USC&GS & State Marker. C/L Custer City W.T. in azimuth $87^{\circ}15'20''$; C/L chimney on farmhouse about 3 mi. in azimuth $130^{\circ}27'50''$; C/L chimney on school bldg. about 4 mi. in azimuth $217^{\circ}02'18''$.

X-1,743,879.64 Y-244,135.94 El. 1782.330 ft.

Burgtorf Tri. Sta., Junction Station. See Traverse 14-B

15-D-20 TT 1935; Custer Co., Near NW. cor. of Custer City; near center N. line NW $\frac{1}{4}$ sec. 27, T14N, R16W; in S. edge of OK. Hwy. #33 at its intersection with Willie Ave. & in line with W. fence line of this St., & E. side of large house N. of sta., 43.0 ft. W. & 7.0 ft. N. of tel. pole at SE. cor. of intersection. USC&GS & State Marker 1 ft. below surface of hwy. C/L E. gable on 2 story house in azimuth $90^{\circ}27'44''$; C/L comb S. end roof on $1\frac{1}{2}$ story house about 1 mi. in azimuth $157^{\circ}11'31''$; C/L Custer City W.T. in azimuth $289^{\circ}25'49''$.

X-1,734,778.76 Y-244,165.56 El. 1806.843 ft.

15-D-21 TT 1935; Custer Co., about 1.0 mi. W. of NW. cor. of Custer City; 0.25 mi. E. of Locust Grove School; near center of S. line of SW. sec. 22, T14N, R16W; 47.0 ft. N. of C/L OK. Hwy. #33; 2.0 ft. S. of N.R/W fence; 454.0 ft. W. of W. side of farmhouse S. of hwy., 66.6 ft. N. & 298.0 ft. W. of field fence cor. S. of road. USC&GS & State Marker. C/L comb E. end roof on $1\frac{1}{2}$ story house about 0.26 mi. in azimuth $82^{\circ}22'48''$; C/L gable on S. side of house on hill top about 1 mi. in azimuth $210^{\circ}00'01''$; C/L Custer City W. T. in azimuth $274^{\circ}32'58''$.

X-1,729,377.57 Y-244,277.09 El. 1765.122 ft.

15-D-22 TT 1935; Custer Co., 3.2 mi. W. of NW. cor. of Custer City; near approx. NE. cor. sec. 29, T14N, R16W; 47.0 ft. S. of C/L OK. Hwy. #33; 148.0 ft. E. of N-S sec. line road; 2.5 ft. N. of S.R/W fence. USC&GS & State Marker. C/L chimney on 2 story house about 3 mi. in azimuth $90^{\circ}33'15''$; C/L chimney on house about 3 mi. in azimuth $153^{\circ}03'33''$; C/L Custer City W.T. in azimuth $271^{\circ}39'15''$.

X-1,717,689.95 Y-244,282.10 El. 1729.555 ft.

9-D-60 TT 1934; Junction Station. See Traverse 9-D.

Traverse 15-F; Major, Blaine, Kingfisher, & Canadian Co's.
7-D-23 TT 1934 to 14-A-11 TT 1934
North Projection

7-D-23 TT 1934; Junction Station. See Traverse 7-D.

15-F-1 TT 1939; Major Co., 2.0 mi.S.of Ringwood; 560.0 ft.S.& 100.0 ft.W.of approx.NE.cor.sec.34,T22N,R10W; 65.0 ft.W.of W.R/W fence; 4.5 ft.E.of N-S barn lot fence. OSCC Marker. C/L S.gable on large barn with lean-too addition on NW.about 1.5 mi.in azimuth $178^{\circ}39'41''$.

X-1,927,012.76 Y-490,056.50 El. 1277.609 ft.

15-F-2 TT 1939; Major Co., 2.9 mi.S.of Ringwood; 555.0 ft.N.& 29.0 ft.E.of approx.SW.cor.sec.35,T22N,R10W; 3.0 ft.W.of E.R/W fence. OSCC Marker. C/L brick chimney on 1 story house about 0.17 mi.in azimuth $164^{\circ}44'31''$; C/L S.gable on 1 story tile house about 1 mi.in azimuth $200^{\circ}13'54''$; C/L N.gable on 1 story house about 0.25 mi.in azimuth $334^{\circ}17'01''$.

X-1,927,118.63 Y-485,885.85 El. 1276.472 ft.

BM-Major Co., In SW.cor.sec.2,T21N,R10W; chiseled sq.on N.end of L-shaped hdw.of a 2 x 26 ft.RCP culvert in E.road ditch.

El. 1259.732 ft.

BM-Major Co., 100.0 ft.S.of approx.W $\frac{1}{2}$ cor.sec.11,T21N,R10W; chiseled sq.on S.end of E.hd.w.of a 2 x 30 ft.RCP culvert. El. 1259.677 ft.

15-F-3 TT 1939; Major Co., 4.7 mi.S.of Ringwood; 806.0 ft.S.& 32.0 ft.W.of approx.E $\frac{1}{2}$ cor.sec.10,T21N,R10W; 2.0 ft.W.of W.R/W fence; 3.0 ft.N.of cross fence to W. OSCC Marker. C/L N.gable on 1 story shack about 0.11 mi.in azimuth $106^{\circ}59'17''$; C/L N.gable on 1 story T-shaped house about 0.37 mi.in azimuth $357^{\circ}54'37''$.

X-1,927,020.25 Y-476,579.15 El. 1281.616 ft.

15-F-4 TT 1939; Major Co., 6.5 mi.S.of Ringwood; 144.0 ft.S.& 43.0 ft.E.of approx.W $\frac{1}{2}$ cor.sec.23,T21N,R10W; 3.0 ft.E.of E.R/W fence; 3.0 ft.N.of cross fence to E. OSCC Marker. C/L windmill tower about 0.25 mi.in azimuth $07^{\circ}16'49''$.

X-1,927,090.54 Y-466,728.87 El. 1250.230 ft.

15-F-5 TT 1939; Major Co., 7.0 mi.S.of Ringwood; 36.0 ft.N.& 39.0 ft.W.of approx.SE.cor.sec.22,T21N,R10W; 2.5 ft.N.of N.R/W fence; 1.0 ft.W.of W.R/W fence. OSCC Marker. C/L S.chimney on 1 story shack about 0.37 mi.in azimuth $185^{\circ}56'50''$; C/L W.chimney on 1 story house about 0.37 mi.in azimuth $275^{\circ}13'40''$.

X-1,927,022.98 Y-464,273.97 El. 1241.954 ft.

15-F-6 TT 1939; Major Co., 1.25 mi.N.& 2.25 mi.W.of Ames; 692.0 ft.N.& 27.0 ft.E.of approx.W $\frac{1}{2}$ cor.sec.25,T21N,R10W; 2.0 ft.W.of E.R/W fence; 150.0 ft.N.of cross fence to W., 746.0 ft.N.of range of N.side of old church house E.of road. OSCC Marker. C/L chimney on 1 story house about 0.5 mi.in azimuth $137^{\circ}33'01''$; C/L N.gable on 1 story house with lean-too kitchen about 0.25 mi.in azimuth $351^{\circ}31'24''$.

X-1,932,362.48 Y-462,259.21 El. 1233.985 ft.

15-F-7 TT 1939; Major Co., 1.0 mi.N.& 2.25 mi.W.of Ames; 420.0 ft.N.& 34.0 ft.W.of approx.SE.cor.sec.26,T21N,R10W; 4.0 ft.E.of W.R/W fence on W.bank of a 8 ft.cut. OSCC Marker.

X-1,932,315.72 Y-459,369.82 El. 1244.681 ft.

7-F-83 & 82 TT 1938; Junction Stations. See Traverse 7-F.

15-F-8 TT 1939; Major Co., 0.25 mi.N.& 2.25 mi.W.of Ames; 700.0 ft.N.& 257.0 ft.W.of approx.E $\frac{1}{2}$ cor.sec.35,T21N,R10W; 71.0 ft.N.& 156.0 ft.W.of NW.cor.of Ames Chiston house on prominent sandy knoll. OSCC Marker.

X-1,932,074.81 Y-457,144.24 El. 1241.610 ft.

15-F-9 TT 1939; Major Co., 4.0 mi.S.& 4.0 mi.W.of Ames; 31.0 ft.S.& 1684.0 ft.E.of approx.NW.cor.sec.22,T20N,R10W; 3.0 ft.N.of S.R/W fence; 63.0 ft.S.of row of mulberry & cedar trees approx. 0.25 mi.E. of Plainview schoolhouse. OSCC Marker.

X-1,923,832.55 Y-432,678.66 El. 1143.581 ft.

BM-Major Co., 0.25 mi.N.of approx.SW.cor.sec.26,T20N,R10W; chiseled sq.on S.end of W.hd.w.of a 5 x 3 x 16 ft.conc.culvert.

El. 1129.986 ft.

15-F-10 TT 1939; Major Co., 5.5 mi.S. & 3.25 mi.W. of Ames; 2102.0 ft.S. & 25.0 ft.E. of approx. NW. cor. sec. 35, T20N, R10W; 111.0 ft.S. of C/L of a 4 x 8 ft. box conc. culvert; 3.0 ft.S. of farm phone pole. OSCC Marker. C/L SE. gable on black grain elevator about 2.5 mi. in azimuth 106° 13' 52"; C/L S. gable on 1 story stucco house about 0.75 mi. in azimuth 187° 49' 42"; C/L W. gable on 1½ story house on horizon about 2.5 mi. in azimuth 314° 01' 07".

X-1, 927, 453.63 Y-425, 333.12 El. 1130.317 ft.

15-F-11 TT 1939; Blaine Co., 2.0 mi.N. & 4.0 mi.E. of Okeene; 197.0 ft.S. & 259.0 ft.E. of approx. NW. cor. sec. 11, T19N, R10W; 25.0 ft.S. & 68.0 ft.E. of SE. cor. of Independence schoolhouse; 2.5 ft.N. of S. school yard fence; 28.0 ft.W. of E. school yard fence. OSCC Marker. C/L SE. gable on black grain elevator adjacent to RR about 2.5 mi. in azimuth 157° 30' 58"; C/L chimney on 1 story shack about 0.09 mi. in azimuth 219° 01' 16"; C/L E. chimney on 1 story L-shaped house with dormer windows in N. roof about 1 mi. in azimuth 332° 51' 51".

X-1, 927, 697.64 Y-416, 661.05 El. 1192.605 ft.

BM-Blaine Co., in approx. NE. cor. sec. 22, T19N, R10W; chiseled sq. on S. end of E. hdw. of a 3 x 2 x 22 ft. conc. culvert on S. side of OK. Hwy. #51.

El. 1187.120 ft.

15-F-12 TT 1939; Blaine Co., 0.6 mi.S. & 4.0 mi.E. of Okeene; 825.0 ft.S. & 24.0 ft.E. of approx. W¼ cor. sec. 23, T19N, R10W; 1.0 ft.W. of E. R/W fence in range of N. side of house W. of road; 120.0 ft.S. & 12.0 ft.W. of transformer pole. OSCC Marker. C/L S. gable on 2 story L-shaped house about 0.62 mi. in azimuth 145° 31' 30"; C/L W. gable on 2 story 4-gabled house about 1 mi. in azimuth 265° 33' 50"; C/L W. gable on 1½ story T-shaped house about 1.5 mi. in azimuth 347° 25' 00".

X-1, 927, 433.76 Y-402, 876.94 El. 1197.213 ft.

15-F-13 TT 1939; Blaine Co., 2.0 mi.S. & 4.0 mi.E. of Okeene; 22.0 ft.N. & 179.0 ft.E. of approx. SW. cor. sec. 26, T19N, R10W; 2.0 ft.S. of N.R/W fence; 148.0 ft.E. of E.R/W fence. OSCC Marker.

X-1, 927, 592.18 Y-395, 793.60 El. 1158.855 ft.

15-F-14 TT 1939; Blaine Co., 3.0 mi.S. & 4.0 mi.E. of Okeene; 34.0 ft.S. & 28.0 ft.E. of approx. NW. cor. sec. 2, T18N, R10W; 8.0 ft.S. of S.R/W fence; 4.0 ft.E. of E.R/W fence; 3.0 ft.W. of R.E.A. pole. OSCC Marker. C/L chimney on 1 story house about 0.25 mi. in azimuth 76° 08' 34"; C/L S. gable on 1½ story T-shaped house about 2 mi. in azimuth 203° 07' 07"; C/L W. gable on large hip-roof barn about 1.25 mi. in azimuth 323° 57' 19".

X-1, 927, 447.04 Y-390, 452.87 El. 1157.501 ft.

15-F-15 TT 1939; Blaine Co., 4.2 mi.S. & 4.0 mi.E. of Okeene; 857.0 ft.S. & 25.0 ft.W. of approx. E¼ cor. sec. 10, T18N, R10W; 3.0 ft.E. of W.R/W fence; 50.0 ft.N. & 50.0 ft.W. of R.E.A. pole. OSCC Marker. C/L Okeene W. T. about 7 mi. in azimuth 138° 42' 45"; C/L W. gable on hip-roof barn about 0.75 mi. in azimuth 248° 19' 23"; C/L W. gable on 1½ story house about 0.62 mi. in azimuth 321° 06' 13".

X-1, 927, 405.64 Y-381, 737.58 El. 1150.249 ft.

15-F-16 TT 1939; Blaine Co., 6.0 mi.S. & 4.0 mi.E. of Okeene; 33.0 ft.S. & 30.0 ft.E. of approx. NW. cor. sec. 23, T18N, R10W; 2.0 ft.E. of E.R/W fence; 2.0 ft.W. of R.E.A. pole. OSCC Marker.

C/L S. chimney on L-shaped house about 0.12 mi. in azimuth 75° 19' 03"; C/L S. gable on 1½ story house about 1.25 mi. in azimuth 192° 57' 51". C/L W. chimney on 1½ story T-shaped house about 0.12 mi. in azimuth 353° 13' 46".

X-1, 927, 459.67 Y-374, 646.44 El. 1179.940 ft.

15-F-17 TT 1939; Blaine Co., 8.0 mi.S. & 4.0 mi.E. of Okeene; 25.0 ft.N. & 211.0 ft.E. of approx. SW. cor. sec. 26, T18N, R10W; 1.5 ft.S. of N.R/W fence. OSCC Marker. C/L E. gable on 1½ story T-shaped house about 1.25 mi. in azimuth 147° 32' 12"; C/L Okeene W. T. about 10 mi. in azimuth 152° 45' 19"; C/L belfry on schoolhouse about 0.75 mi. in azimuth 269° 16' 47".

X-1, 927, 604.92 Y-364, 127.70 El. 1215.025 ft.

15-F-18 TT 1939; Blaine Co., 8.5 mi.S. & 4.0 mi.E. of Okeene; 2.5 ft.S. & 35.0 ft.E. of approx. W¼ cor. sec. 35, T18N, R10W; 2.5 ft.E. of E.R/W

fence. OSCC Marker. C/L chimney on $1\frac{1}{2}$ story house with lean-to kitchen about 1 mi. in azimuth $98^{\circ}45'01''$; C/L belfry on schoolhouse about 0.75 mi. in azimuth $225^{\circ}09'11''$; C/L W. gable on $1\frac{1}{2}$ story L-shaped house about 1 mile in azimuth $300^{\circ}13'06''$.

X-1, 927, 416.62 Y-361, 449.96 El. 1214.809 ft.

11-D-42 TT 1938; Junction Station. See Traverse 11-D.

15-F-19 TT 1939; Blaine Co., 8.75 mi. N. & 9.5 mi. E. of Watonga; 31.0 ft. N. & 25.0 ft. E. of approx. SW. cor. sec. 2, T17N, R10W; 2.5 ft. N. of N. R/W fence; 2.5 ft. E. of E. R/W fence. OSCC Marker. C/L E. apex on farmhouse about 1 mi. in azimuth $31^{\circ}47'42''$; C/L S. apex on $1\frac{1}{2}$ story farmhouse about 0.5 mi. in azimuth $182^{\circ}50'30''$; C/L W. apex on $1\frac{1}{2}$ story house about 1 mi. in azimuth $286^{\circ}56'25''$.

X-1, 927, 421.62 Y-353, 654.18 El. 1216.772 ft.

15-F-20 TT 1939; Blaine Co., 7.5 mi. N. & 9.5 mi. E. of Watonga; 1246.0 ft. S. & 31.0 ft. W. of approx. NE. cor. sec. 15, T17N, R10W; 1.0 ft. E. of W. R/W fence; 36.0 ft. N. of cross fence to W., 214.0 ft. S. & 60.0 ft. W. of S. 12 ft. gate post in E. R/W fence. OSCC Marker. C/L chimney on sq. top house about 0.5 mi. in azimuth $102^{\circ}25'35''$; C/L S. gable on $1\frac{1}{2}$ story house about 1.5 mi. in azimuth $227^{\circ}02'50''$; C/L N. gable on L-shaped house about 0.75 mi. in azimuth $327^{\circ}47'55''$.

X-1, 927, 376.75 Y-347, 099.29 El. 1213.838 ft.

HM-Blaine Co., 0.35 mi. S. of approx. NW. cor. sec. 23, T17N, R10W; chiseled sq. on N. end of W. hdw. of a 4 x 2 x 18 ft. conc. culvert.

El. 1238.913 ft.

15-F-21 TT 1939; Blaine Co., 6.25 mi. N. & 9.5 mi. E. of Watonga; 252.0 ft. S. & 29.0 ft. E. of approx. $W\frac{1}{2}$ cor. sec. 23, T17N, R10W; 1.0 ft. W. of E. fence line; 61.0 ft. E. of W. R/W fence; 30.0 ft. S. of farm phone pole; 40.0 ft. N. of N. range of old barn approx. 400.0 ft. E. of road. OSCC Marker. C/L N. apex on house about 0.37 mi. in azimuth $06^{\circ}57'20''$; C/L Okeene W.T. about 16 mi. in azimuth $160^{\circ}56'30''$; C/L flagpole on L-shaped schoolhouse about 0.5 mi. in azimuth $310^{\circ}36'33''$.

X-1, 927, 446.31 Y-340, 151.95 El. 1275.120 ft.

15-F-22 TT 1939; Blaine Co., 4.35 mi. N. & 9.5 mi. E. of Watonga; 562.0 ft. N. & 24.0 ft. W. of approx. $E\frac{1}{2}$ cor. sec. 34, T17N, R10W; 1.5 ft. E. of W. R/W fence in range of cross fence to W. OSCC Marker. C/L $1\frac{1}{2}$ story house about 1.5 mi. in azimuth $98^{\circ}10'43''$; C/L belfry on L-shaped schoolhouse about 1.5 mi. in azimuth $202^{\circ}05'18''$; C/L W. gable on large bungalow about 0.75 mi. in azimuth $339^{\circ}39'38''$.

X-1, 927, 368.83 Y-330, 437.34 El. 1254.250 ft.

15-F-23 TT 1939; Blaine Co., 3.25 mi. N. & 9.5 mi. E. of Watonga; 137.0 ft. N. & 21.0 ft. E. of approx. $W\frac{1}{2}$ cor. sec. 2, T16N, R10W; 1.0 ft. W. of E. R/W fence in range of N. side of small house W. of road. OSCC Marker. C/L N. apex on farmhouse about 1.5 mi. in azimuth $64^{\circ}03'53''$; C/L E. apex on 2 story farmhouse about 0.75 mi. in azimuth $150^{\circ}33'38''$; C/L N. apex on farm house about 1 mi. in azimuth $292^{\circ}41'13''$.

X-1, 928, 255.14 Y-324, 871.16 El. 1235.319 ft.

15-F-24 TT 1939; Blaine Co., 0.8 mi. N. & 9.5 mi. E. of Watonga; 905.0 ft. N. & 23.0 ft. W. of approx. SE. cor. sec. 15, T16N, R10W; 1.5 ft. E. of W. R/W fence; 120.0 ft. N. of cross fence to W., 106.0 ft. N. of N. gate post in W. R/W fence. OSCC Marker. C/L E. gable on $1\frac{1}{2}$ story farmhouse about 0.37 mi. in azimuth $99^{\circ}37'37''$; C/L S. apex on sq. top house about 1.5 mi. in azimuth $231^{\circ}47'07''$; C/L W. gable on 1 story L-shaped house about 0.25 mi. in azimuth $308^{\circ}35'12''$.

X-1, 928, 201.54 Y-312, 437.75 El. 1253.563 ft.

15-C-14 TT 1935 (Reset) Junction Station. See Traverse 15-C.

15-F-25 TT 1939; Blaine Co., 1.5 mi. S. & 9.5 mi. E. of Watonga; 432.0 ft. N. & 216.0 ft. W. of approx. SE. cor. sec. 27, T16N, R10W; 2.0 ft. S. of N. school yard fence; 124.0 ft. N. & 92.0 ft. E. of NE. cor. of Cedar Valley schoolhouse; 4.0 ft. N. & 23.0 ft. E. of NE. cor. of school bus garage. OSCC Marker. C/L 1 story house about 1.5 mi. in azimuth $14^{\circ}10'38''$; C/L N. chimney on 1 story house about 0.75 mi. in azimuth $131^{\circ}16'06''$; C/L W. chimney on $1\frac{1}{2}$ story house about 1 mi. in azimuth $276^{\circ}50'08''$.

X-1, 927, 982.71 Y-301, 394.24 El. 1249.642 ft.

15-F-26 TT 1939; Blaine Co., 3.5 mi.S.& 9.5 mi.E.of Watonga; 31.0 ft.N.& 61.0 ft.W.of approx.SE.cor.sec.3,T15N,R10W; 2.0 ft.S.of N. R/W fence. OSCC Marker. C/L chimney on 2 story house about 0.25 mi.in azimuth $83^{\circ}40'45''$; C/L chimney on schoolhouse about 2 mi.in azimuth $178^{\circ}54'45''$; C/L chimney on 1 story stucco house about 1 mi.in azimuth $288^{\circ}39'38''$.

X-1,928,075.98 Y-290,541.18 El. 1324,779 ft.

15-F-27 TT 1939; Blaine Co., 5.0 mi.S.& 9.5 mi.E.of Watonga; 3.0 ft.N.& 27.0 ft.W.of approx.E $\frac{1}{4}$ cor.sec.15,T15N,R10W; 3.0 ft.W.of W.R/W fence on W.bank of 10 ft.cut. OSCC Marker. C/L chimney on schoolhouse about 1.5 mi.in azimuth $17^{\circ}26'40''$; C/L chimney on 1 $\frac{1}{2}$ story house about 2.5 mi.in azimuth $151^{\circ}33'15''$; C/L chimney on 1 story stucco house about 1 mi.in azimuth $221^{\circ}49'30''$.

X-1,928,068.26 Y-282,561.64 El. 1429,219 ft.

15-F-28 TT 1939; Blaine Co., 5.5 mi.S.& 9.5 mi.E.of Watonga; near N.center of NE.NE.sec.22,T15N,R10W; 163.0 ft.S.of N.line of sec., 187.0 ft.S.of C/L Co.road on high promontory overlooking broad valley to E., 187.0 ft.S.of point where road turns to NE.on entering the break from W., 17.0 ft.W.of most easterly point; 22.0 ft.E.of N-S cross fence. OSCC Marker. C/L chimney on schoolhouse about 1 mi.in azimuth $19^{\circ}20'34''$; C/L chimney on 1 story T-shaped house about 1.5 mi.in azimuth $184^{\circ}24'04''$; C/L ventilator on large barn about 2.5 mi.in azimuth $268^{\circ}37'24''$.

X-1,927,362.85 Y-279,713.48 El. 1453,691 ft.

13-C-20 TT 1938; Junction Station. See Traverse 13-C.

13-C-12 TT 1938; Junction Station. See Traverse 13-C.

15-F-29 TT 1939; Kingfisher Co., 9.5 mi.N.of Calumet; 32.0 ft.S.& 32.0 ft.E.of approx.NW.cor.sec.36,T15N,R9W; 9.0 ft.S.of N.R/W fence; 2.0 ft.W.of E.R/W fence. OSCC Marker. C/L chimney on schoolhouse about 2.5 mi.in azimuth $01^{\circ}50'32''$; C/L chimney on 2 story house about 1 mi. in azimuth $135^{\circ}03'22''$; C/L W.apex on 2 story house about 0.25 mi.in azimuth $239^{\circ}42'02''$.

X-1,964,947.63 Y-269,293.10 El. 1222,805 ft.

15-F-30 TT 1939; Canadian Co., 7.3 mi.N.of Calumet; 1559.0 ft.S.& 30.0 ft.W.of approx.NE.cor.sec.11,T14N,R9W; 2.0 ft.W.of W.R/W fence; 2.0 ft.N.& 1.0 ft.E.of NE.cor.of Mound Valley school yard. OSCC Marker. C/L chimney on 1 story sq.topped house about 0.25 mi.in azimuth $141^{\circ}10'12''$.

X-1,964,857.57 Y-257,186.63 El. 1259,899 ft.

15-F-31 TT 1939; Canadian Co., 6.3 mi.N.of Calumet; 1500.0 ft.S.& 28.0 ft.E.of approx.NW.cor.sec.13,T14N,R9W; 10.0 ft.S.& 25.0 ft.E.of R. E.A. pole; 1.0 ft.W.of E.R/W fence; 169.0 ft.S.of S.fence to private drive to W. OSCC Marker. C/L E.chimney on house about 0.5 mi.in azimuth $10^{\circ}19'22''$; C/L chimney on schoolhouse about 1.5 mi.in azimuth $178^{\circ}55'49''$; C/L E.chimney on L-shaped house about 3 mi.in azimuth $219^{\circ}22'12''$.

X-1,964,896.80 Y-252,060.50 El. 1323,257 ft.

15-F-32 TT 1939; Canadian Co., 4.8 mi.N.of Calumet; 1617.0 ft.N.& 30.0 ft.W.of approx.SE.cor.sec.23,T14N,R9W; 2.0 ft.E.of W.R/W fence in range of cross fence to W. OSCC Marker. C/L chimney on 2 story brick house about 2 mi.in azimuth $211^{\circ}31'04''$.

X-1,964,810.88 Y-244,571.27 El. 1423,324 ft.

14-A-11 TT 1934; Junction Station. See Traverse 14-A.

Traverse 20-A; Canadian County
El Reno E. Base to 13-A-4 TT 1933
North Projection

El Reno E. Base (Canadian Co., A.L.Baldwin 1900, 1902) In sec. 9, T11N,R7W; on land owned in 1902 by G.L.Newman. Surface mark is std.sta. disk in red sandstone block; underground mark is copper bolt in limestone block about 4.0 ft.below surface; reference mark is a 60-D nail

in terra-cotta pipe filled with & set in conc., in NE.cor.of Mr.Newman's peach orchard; on W.side of road; 277.2 m. (909.4 ft.) from station in azimuth $270^{\circ}44'16''$; sec.cor.common to sec.9,10,15,& 16 is about 1057.0 m. (3468.0 ft.) from station in azimuth $344^{\circ}35'43''$.

- X-2,017,866.66 Y-161,818.66 El. 1443.724 ft.
 20-A-1 TT 1934; Canadian Co., 5.1 mi.S.of El Reno; 2357.0 ft.N. & 47.0 ft.E.of approx.SW.cor.sec.34,T12N,R7W; 37.8 ft.E.of E.edge of pvt. US.Hwy.#81. USC&GS & State Marker. C/L chimney on sq.topped 2 story house in azimuth $90^{\circ}17'25''$; C/L top W.T.at US.Southwestern Reformatory in azimuth $137^{\circ}30'42''$.
- X-2,018,893.03 Y-161,807.17 El. 1390.270 ft.
 20-A-2 TT 1934; Canadian Co., 4.3 mi.S.of El Reno; 1220.0 ft.N.& 46.0 ft.W.of approx.SE.cor.sec.28,T12N,R7W; 36.5 ft.W.of W.edge of pvt. US.Hwy.#81; 992.0 ft.N.of N.end of a 100 ft.bridge over Six Mile Creek; 888.0 ft.S.of N.end of an 80 ft.bridge. USC&GS & State Marker.
- X-2,018,312.28 Y-175,534.78 El. 1349.426 ft.
 20-A-3 TT 1934; Canadian Co., 3.7 mi.S.of El Reno; 992.0 ft.S. & 46.0 ft.E.of approx.NW.cor.sec.27,T12N,R7W; 37.4 ft.E.of E.edge of pvt. US.Hwy.#81. USC&GS & State Marker. C/L chimney on 2 story frame house in azimuth $109^{\circ}31'12''$.
- X-2,018,887.71 Y-178,544.35 El. 1346.691 ft.
 20-A-4 TT 1934; Canadian Co., 3.1 mi.SE.of El Reno, via US.Hwy.#81; 53.5 ft.E.of W.edge of pvt., 3002.0 ft.S.& 45.0 ft.E.of approx.NW.cor.sec. 22,T12N,R7W; USC&GS & State Marker. C/L chimney on 2 story frame house in azimuth $38^{\circ}04'25''$; C/L top of El Reno Catholic Church steeple in azimuth $154^{\circ}08'40''$.
- X-2,018,885.81 Y-181,813.01 El. 1361.187 ft.
 20-A-5 TT 1934; Canadian Co., 2.2 mi.SE.of El Reno; via US.Hwy.#81; at approx.SE.cor.sec.16,T12N,R7W; 1630.0 ft.N.& 32.0 ft.W.of intersection of US.Hwy's.#81 & #66; 22.5 ft.W.of W.edge of pvt. USC&GS & State Marker. C/L top W.T.at US. Southwestern Reformatory in azimuth $110^{\circ}52'30''$.
- X-2,018,793.44 Y-186,442.53 El. 1370.178 ft.
 20-A-6 TT 1934; Canadian Co., In El Reno; 567.7 ft.S.of C/L Elm St. which is N.line of sec.16,T12N,R7W; on C/L of Barker St., USC&GS & State Marker.
- X-2,014,536.00 Y-189,557.90 El. 1363.643 ft.
 20-A-7 TT 1934; Canadian Co., In El Reno; on C/L Bickford St. (produced); 165.0 ft.S.of C/L Oak St. on grounds of El Reno Mill and Elevator Co., 64.0 ft.SE.from iron door in elevator. USC&GS & State Marker.
- X-2,013,862.43 Y-190,545.05 El. 1365.025 ft.
 20-A-8 TT 1934; Canadian Co., In El Reno; monument is placed in a lamphole at intersection of Bickford & Rogers Sts. on exact C/L of 2 Sts. an iron pin was found when pvt.was opened. USC&GS & State Marker.
- X-2,013,852.11 Y-194,735.17 El. 1356.769 ft.
 20-A-9 TT 1934; Canadian Co., 1.45 mi.W.of intersection of Wade & Bickford Sts.in El Reno; in sec.7,T12N,R7W; 28.75 ft.W.of W.edge of pvt. US.Hwy.#66 about midway between two curves. USC&GS & State Marker. C/L top of W.chimney on Hal Townsed cedar log house in azimuth $142^{\circ}05'04''$.
- X-2,006,759.23 Y-194,660.17 El. 1345.106 ft.
 20-A-10 TT 1934; (No description)
- 20-A-11 TT 1934; Canadian Co., 3.6 mi.W.of El Reno; in sec.2,T12N, R5W; 28.96 ft.N.of N.edge of pvt. US.Hwy.#66 on top of 1st hill W.of main gate, Southwestern Reformatory. USC&GS & State Marker. C/L N.chimney on 1 story frame house with high peak roof in azimuth $39^{\circ}01'43''$.
- X-1,995,605.54 Y-195,524.03 El. 1417.187 ft.
 20-A-12 TT 1934; Canadian Co., 5.5 mi.W.of El Reno; 1129.0 ft.E.& 36.0 ft.N.of approx.S $\frac{1}{4}$ cor.sec.4,T12N,R5W; 27.3 ft.N.of N.edge of pvt. US.Hwy.#66; near red gate on hill top. USC&GS & State Marker. C/L N.chimney on 1 story frame house with high peak roof in azimuth $341^{\circ}07'40''$.
- X-1,985,691.41 Y-195,522.93 El. 1417.375 ft.
 13-A-4 TT 1934; Junction Station. See Traverse 13-A.

Traverse 21-F; Washita & Custer Co's.
 13-B-12 TT 1934 to 9-D-65 TT 1934
 North Projection

13-B-12 TT 1934; Junction Station. See Traverse 13-B.

21-F-1 TT 1935; Washita Co., 7.2 mi.W. & 0.95 mi.N. of Eakley; 2.1 mi.S. & 0.1 mi.W. of Colony; near center of N. line NE-NE-sec. 28, T10N, R14W; 35.8 ft. E. of C/L of main road S. from Colony; 2.0 ft. W. of E-W R/W fence. USC&GS & State Marker. C/L chimney on farmhouse in azimuth 28°14'04"; C/L chimney on farmhouse about 1.0 mi. in azimuth 101°27'31".

X-1,797,005.68 Y-116,672.06 El. 1548.075 ft.

21-F-2 TT 1935; Washita Co., 1.1 mi.S. & 0.1 mi.W. of Colony; in NE-NE-sec. 21, T10N, R14W; 45.7 ft. W. of C/L main road S. from Colony; 4.0 ft. E. of E-R/W fence in pasture; 1180.0 ft. S. of E-W sec. line. USC&GS & State Marker. C/L chimney on farmhouse about 0.25 mi. in azimuth 113°45'31"; C/L W. end gable on black roofed brick school in Colony in azimuth 192°59'05"; C/L Cheyenne Indian Reservation W.T. in azimuth 209°35'27".

X-1,797,099.57 Y-121,145.83 El. 1595.188 ft.

21-F-3 TT 1935; Washita Co., 0.35 mi.S. of Colony; (directly W. of group of bldgs. at Cheyenne Indian Agency; near center of E. line NE $\frac{1}{2}$ sec. 16, T10N, R14W; 77.4 ft. W. of present main road S. from Colony, on top of 15.0 ft. sand hill; 2.3 ft. E. of W-R/W fence; 47.5 ft. N. of R/W fence cor. USC&GS & State Marker. C/L chimney on farmhouse on hill top in azimuth 36°57'52"; C/L W. end gable on black roofed school bldg. in Colony in azimuth 189°37'04"; C/L ball on spire of Cheyenne Indian Reservation School bldg. in azimuth 259°33'54".

X-1,798,332.87 Y-125,686.45 El. 1534.219 ft.

21-F-4 TT 1935; Washita Co., at N. side of Colony; near NW. cor. SW $\frac{1}{2}$ sec. 10, T10N, R14W; 0.43 mi. N. of main cor. 27.7 ft. E. of C/L N-S road; 26.0 ft. W. & 83.0 ft. S. of last house along top of this hill (one story square & dirty white color); 2.1 ft. W. of pole line. USC&GS & State Marker. C/L dormer on N. side of house on W. side of road in azimuth 43°13'03"; C/L S. side chimney on house about 100.0 ft. in azimuth 207°42'33"; C/L gable on W. end roof of Colony Schoolhouse in azimuth 341°38'15".

X-1,798,435.55 Y-129,973.77 El. 1523.231 ft.

21-F-5 TT 1935; Washita Co., 2.75 mi. N. of Colony; near center E. line NE-NE-sec. 33, T11N, R14W; 29.0 ft. W. of C/L N-S sec. line road; 129.0 ft. E. of & in line with S. side of unpainted farmhouse; 27.4 ft. N. of C/L private drive to this house. USC&GS & State Marker. C/L E. dormer N. side of residence in azimuth 00°55'39"; C/L chimney on 2 story house about 2 mi. in azimuth 185°04'19"; C/L chimney on W. side of house on hill top in azimuth 236°56'24".

X-1,798,437.32 Y-141,991.92 El. 1566.713 ft.

21-F-6 TT 1935; Washita Co., 4.95 mi. N. of Colony; near NE cor. sec. 21, T11N, R14W; 28.0 ft. W. of C/L N-S sec. line road; 5.6 ft. W. of R/W fence in pasture; 209.0 ft. S. of sec. cor. USC&GS & State Marker. C/L E. gable on schoolhouse about 0.5 mi. in azimuth 91°46'25"; C/L chimney on farm house about 0.5 mi. in azimuth 154°54'05"; C/L cupola on farmhouse about 1 mi. in azimuth 279°40'33".

X-1,798,508.43 Y-153,735.64 El. 1719.500 ft.

21-F-6-A TT 1935; Washita Co., 6.9 mi. N. of Colony; 28.3 ft. E. of C/L N-S sec. line road on rocky knob; 539.0 ft. S. of sec. cor; 29.0 ft. W. of E-W R/W fence. USC&GS & State Marker. C/L chimney on red brick farm house about 0.5 mi. in azimuth 175°35'28"; C/L chimney on farmhouse about 1.5 mi. in azimuth 202°07'30"; C/L chimney on schoolhouse about 0.5 mi. in azimuth 357°34'38".

X-1,798,616.33 Y-163,970.84 El. 1744.022 ft.

21-F-7 TT 1935; Washita Co., 7.83 mi. N. of Colony; 1221.0 ft. S. of approx. NE cor. sec. 4, T11N, R14W; at which main road turns W. on Washita-Custer Co. line; 21.0 ft. W. of C/L N-S sec. line road; 3.0 ft. E. of W-R/W fence, near cor; 343.0 ft. N. of N. side of white house extended. USC&GS &

State Marker. C/L N.apex roof on farm bungalow about 1 mi. in azimuth $47^{\circ}08'52''$; C/L cupalo on Missouri Schoolhouse in Custer Co. about 1.5 mi. in azimuth $100^{\circ}56'02''$; C/L S.gable on farmhouse about 2.5 mi. in azimuth $146^{\circ}36'32''$.

X-1,798,651.17 Y-168,523.10 El. 1803.320 ft.

21-F-8 TT 1935; Washita Co., 8.0 mi. N. & 1.7 mi. W. of Colony; near center N. line NW $\frac{1}{4}$ sec. 5, T11N, R14W; 4.0 mi. S. & 1.3 mi. E. of intersection N-S gravel road & US. Hwy. #66, near SW. cor. of Weatherford; 177.6 ft. S. of & in line with W. side of 1 $\frac{1}{2}$ story unpainted farmhouse; 0.3 mi. E. of sec. cor. & about 0.3 mi. W. of Missouri Schoolhouse. USC&GS & State Marker. C/L cupalo on W. end Feinsin Schoolhouse about 3 mi. in azimuth $126^{\circ}04'49''$; C/L cupola on Missouri Schoolhouse about 0.5 mi. in azimuth $265^{\circ}25'59''$; C/L N.apex roof on farm bungalow about 1.25 mi. in azimuth $318^{\circ}05'09''$.

X-1,789,451.69 Y-169,781.72 El. 1719.012 ft.

21-F-9 TT 1935; Custer Co., 9.55 mi. N. & 3.0 mi. W. of Colony; 2.45 mi. S. of intersection of gravel road & US. Hwy. #66 SW. of Weatherford; 41.0 ft. E. of C/L N-S road; 192.0 ft. N. of E-W $\frac{1}{2}$ sec. fence cor. USC&GS & State Marker. C/L chimney on farmhouse about 3 mi. in azimuth $69^{\circ}55'52''$; C/L apex S.gable Science bldg. of S.W.S.T.C., Weatherford, about 3 mi. in azimuth $201^{\circ}13'52''$; C/L W.apex roof farm bungalow about 1.5 mi. in azimuth $294^{\circ}58'22''$.

X-1,783,110.67 Y-177,975.73 El. 1802.446 ft.

Friesen Tri. Sta., (Custer Co., C.I.A. 1935) - 4.0 mi. SW. of Weatherford; at center of N. side of sec. 26, T12N, R15W; in yard of Friesen school; set in NW. cor. of school yard; 35.0 ft. E. of W. fence of yard, 31.0 ft. S. of C/L E-W road. Reached from jcts of OK. Hwy. #14 & US. Hwy. #66 in Clinton by going E. on US. Hwy. #66 for 11.5 mi. to crossroads, with Gyp rock Camp & Store in SE. angle. This point is about 3.5 mi. E. from Weatherford; Turn S. at crossroad & go S. 2.0 mi. to cross road, go E. on this road 0.5 mi. to Friesen Schoolhouse on S. side of road & sta., Surface, underground, reference & azimuth marks are bronze tablets set in conc. & described according to notes lb, 7a, 11b, & 11a.

X-1,774,846.44 Y-180,499.58

R.M. #1 is in center of N. side of school yard, 33.0 ft. S. of C/L of road, 107.66 ft. (32.815 m.) in azimuth $272^{\circ}25'49''$.

R.M. #2 is in W. fence of school yard, 77.0 ft. S. of NW. fence cor., 110.0 ft. S. of C/L of road, 83.58 ft. (25.472 m.) in azimuth $22^{\circ}35'37''$.

Distance from R.M. #1 to R.M. #2 is 157.42 ft.

Azimuth mark is about 0.9 mi. NW. of sta., about 0.9 mi. in azimuth $145^{\circ}52'37''$.

Reached from sta. by going W. 0.5 mi., thence N. 0.7 mi. to mark on E. side of road in N-S fence line, 20.0 ft. E. of C/L of road. All marks projects about 6" above ground.

21-F-10 TT 1935; Custer Co., 1.4 mi. S. of jct. gravel road & US. Hwy. #66 SW. of Weatherford; 10.6 mi. N. & 3.0 mi. W. of Colony; 38.0 ft. W. of C/L N-S road; 3.0 ft. E. of W. R/W fence; 100.0 ft. S. of N. end of high bench or hill; 2173.0 ft. S. of sec. cor. USC&GS & State Marker. C/L cupalo on Feinsin Schoolhouse about 2 mi. in azimuth $69^{\circ}06'36''$; C/L S.gable S.W.S.T.C., Science bldg. in azimuth $209^{\circ}38'46''$; C/L chimney on house about 7 mi. in azimuth $295^{\circ}12'16''$.

X-1,783,088.30 Y-183,506.52 El. 1799.836 ft.

21-F-11 TT 1935; Custer Co., 0.3 mi. S. of jct. of Colony gravel road & US. Hwy. #66 which is 1.0 mi. SW. of Weatherford; approx. center of E. line NE $\frac{1}{4}$ sec. 13, T12N, R15W; 117.0 ft. S. of "H" frame of highline; 50.0 ft. W. of C/L of road; 8.5 ft. S. & 37.0 ft. W. of 5 ft. conc. culvert headwall, near E. edge of field. USC&GS & State Marker. C/L chimney on N. end farm bungalow about 2.5 mi. in azimuth $55^{\circ}50'46''$; C/L chimney on farmhouse about 2 mi. in azimuth $161^{\circ}12'01''$; C/L S.apex S.W.S.T.C. Science bldg., about 1 mi. in azimuth $231^{\circ}05'16''$.

X-1,782,627.46 Y-189,633.27 El. 1729.643 ft.

21-F-12 TT 1935; Custer Co., 2.9 mi. W. of SW. cor. Weatherford; near center N. line NW $\frac{1}{4}$ sec. 14, T12N, R15W; 1475.0 ft. E. of sec. cor., 39.2 ft. S.

of S. edge US Hwy. #66 pvt., 3.0 ft. N. of S. R/W fence; 0.28 mi. E. of small filling station at SE. cor. intersection; 45.4 ft. W. of highline pole. USC&GS & State Marker. C/L chimney on 2 story house about 1.5 mi. in azimuth $124^{\circ}01'08''$; C/L chimney on farmhouse about 2 mi. in azimuth $229^{\circ}05'53''$; C/L cupalo on Feinsin Schoolhouse about 2 mi. in azimuth $355^{\circ}37'48''$.

X-1, 774, 087.49 Y-191, 027.24 El. 1790.377 ft.

21-F-13 TT 1935; Custer Co., 4.2 mi. W. of US Hwy. #66 underpass at SW. cor. of Weatherford; near SE. cor. sec. 9, T12N, R15W; 1179.5 ft. W. of filling station at sec. cor., 36.5 ft. N. of N. edge hwy. pvt., 47.2 ft. E. of E. side produced of sq. white farm bungalow about 700.0 ft. N. of road; 4.0 ft. S. of N. R/W fence. USC&GS & State Marker. C/L E. apex farmhouse about 6 mi. in azimuth $63^{\circ}20'42''$; C/L chimney on farmhouse about 1 mi. in azimuth $176^{\circ}22'32''$; C/L cupalo on Feinsin Schoolhouse about 4 mi. in azimuth $321^{\circ}25'32''$.

X-1, 766, 273.90 Y-191, 200.61 El. 1802.287 ft.

21-F-14 TT 1935; Custer Co., 6.0 mi. W. of US Hwy. #66 underpass at SW. cor. of Weatherford; 332.0 ft. W. of SE. cor. sec. 7, T12N, R15W; 36.0 ft. N. of N. edge of hwy. pvt., N. of S. yard fence for farm bungalow, 500.0 ft. S. of road; 4.2 ft. S. of N. R/W fence. USC&GS & State Marker. C/L chimney on house about 4 mi. in azimuth $17^{\circ}37'11''$; C/L chimney on farmhouse about 2 mi. in azimuth $114^{\circ}25'56''$; C/L chimney on farmhouse about 3 mi. in azimuth $217^{\circ}29'51''$.

X-1, 756, 409.99 Y-191, 352.44 El. 1738.461 ft.

21-F-15 TT 1935; Custer Co., 6.9 mi. E. & 1.5 mi. S. of RR crossing at E. side of Arapaho; in NE. SE. sec. 31, T13N, R15W; on Weatherford road; 27.0 ft. W. of C/L N-S sec. line road; 3.1 ft. E. of E-W R/W fence; 0.5 mi. N. of 4th std. parallel & group of farm bldgs. USC&GS & State Marker. C/L top Arapaho W.T. about 7 mi. in azimuth $100^{\circ}17'34''$; C/L chimney on farmhouse about 1.5 mi. in azimuth $158^{\circ}49'44''$; C/L chimney on farmhouse about 1.5 mi. in azimuth $238^{\circ}42'24''$.

X-1, 754, 042.11 Y-204, 432.81 El. 1750.058 ft.

21-F-16 TT 1935; Custer Co., 5.4 mi. E. of RR crossing at E. side of Arapaho, on Weatherford road; near NW. cor. NE $\frac{1}{4}$ sec. 25, T13N, R16W; 225.0 ft. N. of S. R/W fence cor., 427.0 ft. E. of S $\frac{1}{2}$ sec. fence cor., 195.0 ft. W. of faded yellow farm bungalow N. of road. USC&GS & State Marker. C/L chimney on house about 4 mi. in azimuth $05^{\circ}41'41''$; C/L chimney on farmhouse about 1 mi. in azimuth $57^{\circ}46'41''$; C/L chimney on house about 5.5 mi. in azimuth $295^{\circ}21'31''$.

X-1, 746, 695.22 Y-212, 391.50 El. 1796.996 ft.

21-F-17 TT 1935; Custer Co., 4.8 mi. E. of RR crossing at E. side of Arapaho; on Weatherford road; 400.0 ft. W. of SE. cor. sec. 23, T13N, R16W; 27.0 ft. N. of C/L of road; 4.0 ft. S. of N. R/W fence. USC&GS & State Marker. C/L Clinton W.T. about 7 mi. in azimuth $54^{\circ}11'17''$; C/L Arapaho W.T. about 5 mi. in azimuth $88^{\circ}59'07''$; C/L Custer W.T. about 4 mi. in azimuth $166^{\circ}58'27''$.

X-1, 743, 172.37 Y-212, 435.05 El. 1780.615 ft.

21-F-18 TT 1935; Custer Co., 3.55 mi. E. of RR crossing at E. side of Arapaho; on Weatherford road; 1909.0 ft. W. of NW. cor. NE $\frac{1}{4}$ sec. 27, T13N, R16W; 28.8 ft. S. of S. R/W fence in cattle run; 1.1 ft. N. of field fence; 150.0 ft. E. & 179.0 ft. S. of white 1 $\frac{1}{2}$ story farmhouse N. of road. USC&GS & State Marker. C/L chimney in center roof farmhouse about 2.0 mi. in azimuth $63^{\circ}23'46''$; C/L S. apex farmhouse about 1 mi. in azimuth $186^{\circ}34'36''$. C/L chimney on farmhouse about 0.5 mi. in azimuth $306^{\circ}46'16''$.

X-1, 736, 291.26 Y-212, 428.82 El. 1641.043 ft.

21-F-19 TT 1935; Custer Co., 2.0 mi. E. of RR crossing at E. side of Arapaho; on Weatherford road; near center S. line SW $\frac{1}{4}$ sec. 21, T13N, R16W; 29.0 ft. N. of C/L of road; 1000.0 ft. SW. of 2 story white farmhouse with red barn N. of road. USC&GS & State Marker. C/L peak Clinton W.T. about 5 mi. in azimuth $38^{\circ}21'42''$; C/L peak Arapaho W.T. about 2 mi. in azimuth $87^{\circ}44'37''$; C/L S. apex farmhouse about 1 mi. in azimuth $173^{\circ}13'52''$.

X-1, 728, 790.90 Y-212, 591.41 El. 1668.368 ft.

21-F-20 TT 1935; Custer Co., 0.9 mi.E. of RR crossing at E. side of Arapaho; on Weatherford road; near SE. cor. sec. 19, T13N, R16W; 143.0 ft. N. of Southwest Light & Power Co. sub-station; 32.0 ft. W. of C/L N-S road; 3.0 ft. E. of W.R/W fence, USC&GS & State Marker. C/L peak Clinton W.T. about 7 mi. in azimuth $28^{\circ}04'23''$; C/L Arapaho W.T. about 2 mi. in azimuth $85^{\circ}34'53''$; C/L apex farm bungalow about 3 mi. in azimuth $149^{\circ}09'23''$.
 X-1, 722, 538.14 Y-212, 719.74 El. 1638.237 ft.
 9-D-65 TT 1934; Junction Station. See Traverse 9-D.

Traverse 21-H; Custer and Caddo Counties

21-F-7 TT 1935 to 13-A-42 TT 1934

North Projection

21-F-7 TT 1935; Junction Station. See Traverse 21-F.

21-H-1 TT 1936; Custer Co., 8.7 mi. N. & 0.5 mi. E. of Colony; near center of E. line of NW $\frac{1}{4}$ sec. 34, T12N, R14W; 3.3 mi. S. & 3.5 mi. E. of intersection of Colony gravel road & US Hwy. #66; 1.0 mi. SW. of Weatherford; 2.0 ft. W. of N-S $\frac{1}{2}$ sec. fence; 640.0 ft. S. of large 2 story house S. of sec. line road. OSCC Marker. C/L dome on main bldg. at S.W.S.T.C. in Weatherford in azimuth $150^{\circ}54'42''$; C/L comb SE. roof of house about 3 mi. in azimuth $207^{\circ}41'42''$; C/L comb W. end roof house about 1.5 mi. in azimuth $261^{\circ}45'40''$.

X-1, 801, 391.59 Y-174, 208.00 El. 1820.547 ft.

21-H-2 TT 1936; Washita Co., 7.3 mi. N. & 1.0 mi. E. of Colony; 4.0 mi. E. & 2.0 mi. S. of intersection of Colony gravel road & US Hwy. #66; 1.0 mi. SW. of Weatherford; on top of flat hill; 1018.0 ft. S. of sec. cor. & 2.0 ft. E. of W.R/W fence along sec. line trail; near center NE $\frac{1}{4}$ sec. 3, T11N, R14W; OSCC Marker. C/L comb N. end roof on farmhouse about 1.5 mi. in azimuth $182^{\circ}30'31''$; C/L chimney on 1 $\frac{1}{2}$ story house about 3 mi. in azimuth $244^{\circ}30'51''$; C/L N. gable on house about 1 mi. in azimuth $334^{\circ}02'56''$.

X-1, 803, 915.77 Y-168, 635.84 El. 1818.705 ft.

21-H-3 TT 1936; Washita Co., 7.6 mi. N. & 2.0 mi. E. of Colony; near SW. cor. NW $\frac{1}{4}$ sec. 1, T11N, R14W; 2.5 ft. W. of NW. cor. at Plainview Church yard; 60.0 ft. W. of NW. cor. of church; 26.0 ft. W. of C/L N-S road. OSCC Marker. C/L comb E. end roof on 1 $\frac{1}{2}$ story house about 1 mi. in azimuth $50^{\circ}57'01''$; C/L S. end roof on house about 1 mi. in azimuth $180^{\circ}55'33''$; C/L comb W. end roof of house about 2 mi. in azimuth $219^{\circ}56'45''$.

X-1, 809, 254.64 Y-167, 416.43 El. 1781.377 ft.

21-H-4 TT 1936; Custer Co., 8.9 mi. N. & 2.0 mi. E. of Colony; 1.4 mi. N. of Plainview Church; near NW. cor. sec. 36, T12N, R14W; 180.0 ft. S. of sec. cor. & 21.0 ft. E. of C/L of N-S sec. line road; 365.0 ft. SW. of small white farmhouse which is NE. of sec. cor. OSCC Marker. C/L comb S. end roof belfry on Normal View Schoolhouse about 1 mi. in azimuth $179^{\circ}14'30''$; C/L Hydro W.T. in azimuth $214^{\circ}36'30''$; C/L comb N. end roof Plainview Church about 1 mi. in azimuth $359^{\circ}34'08''$.

X-1, 809, 274.54 Y-174, 729.12 El. 1756.464 ft.

21-H-5 TT 1936; Custer Co., 9.0 mi. N. & 2.6 mi. E. of Colony; 1.5 mi. N. & 0.6 mi. E. of Plainview Church; near SW. cor. SE $\frac{1}{4}$ sec. 25, T12N, R14W; 264.0 ft. N. & 38.0 ft. W. of NW. cor. small farm bungalow; 25.0 ft. N. of C/L E-W sec. line road; 708.0 ft. E. of $\frac{1}{2}$ sec. fence cor. OSCC Marker. C/L comb E. roof of bungalow on hill about 1 mi. in azimuth $91^{\circ}22'42''$; C/L comb roof S. end Belfry on Normal View School in azimuth $148^{\circ}37'36''$; C/L Hydro W.T. in azimuth $209^{\circ}51'26''$.

X-1, 812, 475.61 Y-174, 946.83 El. 1745.017 ft.

21-H-6 TT 1936; Caddo Co., 9.0 mi. N. & 4.6 mi. E. of Colony; 1.5 mi. N. & 2.6 mi. E. of Plainview Church; near NW. cor. NE $\frac{1}{4}$ sec. 32, T12N, R13W; 744.0 ft. E. of $\frac{1}{2}$ sec. fence; 28.0 ft. S. of C/L E-W sec. line road; 1980.0 ft. W. of farmhouse which is S. of road. OSCC Marker. C/L chimney on house in azimuth $61^{\circ}20'32''$; C/L comb roof W. wing 1 $\frac{1}{2}$ story house about 1 mi. in azimuth $227^{\circ}39'40''$; C/L comb E. end wing roof 1 $\frac{1}{2}$ story house about 1 mi. in azimuth $110^{\circ}26'22''$.

X-1, 822, 985.21 Y-174, 820.07 El. 1688.232 ft.

21-H-7 TT 1936; Caddo Co., 13.0 mi.W.of Hinton; 0.85 mi.N.& 3.0 mi. E.of Plainview Church; near NE.cor.SE $\frac{1}{2}$ sec.32,T12N,R13W; 28.0 ft.W.of C/L N-S sec.line road; 2.0 ft.E.of W.R/W fence; 396.0 ft.N.& 92.0 ft.E. of NE.cor.small farmhouse yard fence. OSCC Marker. C/L N.end comb roof on house about 1.5 mi.in azimuth 05°58'28"; C/L chimney on Plainview Church about 3 mi.in azimuth 75°12'12"; C/L upper S.end gable on house about 1 mi.in azimuth 182°25'28".

X-1,824,798.18 Y-171,442.06 El. 1709.558 ft.

21-H-8 TT 1936; Caddo Co., 12.0 mi.W.& 1.05 mi.S.of Hinton; 4.0 mi. E.& 0.1 mi.S.of Plainview Church, along OK.Hwy.#54; near NE.cor.SE $\frac{1}{2}$ sec. 4,T11N,R13W; 35.0 ft.W.of C/L; 3.0 ft.W.of W.R/W fence in edge of field; 287.0 ft.S.of E-W $\frac{1}{2}$ sec.fence. OSCC Marker. C/L Hydro W.T.in azimuth 175° 55'55"; C/L peak on belfry on school about 2 mi.in azimuth 224°25'21"; C/L W.chimney on house about 2 mi.in azimuth 359°40'21".

X-1,830,046.58 Y-166,590.42 El. 1689.813 ft.

21-H-9 TT 1936; Caddo Co., 10.3 mi.W.& 0.5 mi.S.of Hinton; 5.7 mi. E.& 0.5 mi.N.of Plainview Church; near center N.line NE $\frac{1}{2}$ sec.2,T11N,R13W; 33.0 ft.S.of C/L E-W sec.line road; near top of large hill; 925.0 ft.W. of N-S $\frac{1}{2}$ sec.fence. OSCC Marker. C/L comb roof on bungalow about 1.5 mi. in azimuth 101°43'46"; C/L Hydro W.T.in azimuth 160°29'09"; C/L chimney on house about 1.5 mi.in azimuth 270°42'21".

X-1,838,875.72 Y-169,401.88 El. 1757.474 ft.

21-H-10 TT 1936; Caddo Co., 8.45 mi.W.& 0.5 mi.S.of Hinton; 7.55 mi.E.& 0.5 miles N.of Plainview Church; near SW.cor.SE $\frac{1}{2}$ sec.21,T12N,R12W; 111.0 ft.N.& in line with W.side of square white farmhouse S.of road; 5.0 ft.N.of N.R/W fence line; 285.0 ft.E.of N-S $\frac{1}{2}$ sec.fence. OSCC Marker. C/L S.dormer on 1 $\frac{1}{2}$ story house about 1 mi.in azimuth 172°39'32"; C/L comb roof on W.end school bldg.about 1 mi.in azimuth 219°47'32". C/L peak on W.dormer 1 $\frac{1}{2}$ story farmhouse about 1.5 mi.in azimuth 319°34'39".

X-1,848,709.12 Y-169,405.61 El. 1720.191 ft.

21-H-11 TT 1936; Caddo Co., 6.8 mi.W.& 0.5 mi.S.of Hinton; 9.2 mi. E.& 0.5 mi.N.of Plainview Church; near center N.line NW $\frac{1}{2}$ sec.4,T11N,R12W; 57.0 ft.W.of E.side range of large white farm bungalow; 67.0 ft.S.of C/L E-W sec.line road in lawn. OSCC Marker. C/L chimney on 2 story house about 2 mi.in azimuth 57°31'34"; C/L peak belfry on schoolhouse about 2 mi.in azimuth 196°08'42"; C/L Hinton W.T.in azimuth 265°43'37".

X-1,857,261.07 Y-169,310.38 El. 1678.633 ft.

21-H-12 TT 1936; Caddo Co., 5.75 mi.W.& 0.5 mi.S.of Hinton; 10.25 mi.E.& 0.5 mi.N.of Plainview Church; near center S.line SW $\frac{1}{2}$ sec.34,T12N, R12W; 30.0 ft.N.of C/L E-W sec.line road; 13.0 ft.W.of W.gate post at drive to green farm bungalow on N.side of road. OSCC Marker. C/L chimney on house about 3 mi.in azimuth 59°38'01"; C/L comb roof N.end large barn about 2 mi.in azimuth 265°40'57"; C/L peak E.cupalo on house about 1 mi. in azimuth 191°29'17".

X-1,863,016.24 Y-169,331.66 El. 1666.687 ft.

21-H-12-A 1936; Caddo Co., Chiseled square on W.end of N.conc.head-wall of a 6.0 ft.culvert; at NE.cor.sec.3,T11N,R12W; BM. 0.5 mi.W.of 21-H-13. El. 1617.009 ft.

21-H-13 TT 1936; Caddo Co., 4.5 mi.W.& 0.5 mi.S.of Hinton; near NW.cor.NE $\frac{1}{2}$ sec.2,T11N,R12W; 24.0 ft.S.of C/L E-W sec.line road; 142.0 ft.E. of N-S $\frac{1}{2}$ sec.fence cor. OSCC Marker. C/L chimney on house about 3 mi.in azimuth 50°02'50"; C/L chimney on school bldg. about 3 mi.in azimuth 153°45'58"; C/L Hinton W.T.in azimuth 263°25'12".

X-1,869,599.92 Y-169,242.68 El. 1681.304 ft.

21-H-14 TT 1936; Caddo Co., 4.0 mi.W.of Hinton; near center E.line sec.35,T12N,R12W; 25.0 ft.W.of C/L N-S sec.line road; 143.0 ft.S.of S. range of pink stucco farmhouse on W.side of road directly opposite E-W $\frac{1}{2}$ sec.fence E. OSCC Marker. C/L peak N.dormer on 1 $\frac{1}{2}$ story white house about 0.75 mi.in azimuth 03°10'28"; C/L comb roof on 1 $\frac{1}{2}$ story house about 2 mi.in azimuth 150°38'36"; C/L Hinton W.T.in azimuth 271°17'16".

X-1,872,145.74 Y-172,543.39 El. 1674.768 ft.

21-H-15 TT 1936; Caddo Co., 3.55 mi.W. & 0.5 mi.N. of Hinton; near approx. SE. cor. SW. sec. 25, T12N, R12W; 207.0 ft. N. of C/L E-W sec. line road; in front yard of small farm bungalow; 2.0 ft. W. of yard fence; 62.0 ft. W. of W. side range of large farmhouse on S. side of road. OSCC Marker.
X-1,874,842.04 Y-174,735.01 El. 1667.845 ft.

21-H-16 TT 1936; Caddo Co., 1.5 mi.W. & 0.5 mi.N. of Hinton; near approx. center sec. 32, T12N, R11W; at "Y" of cross roads; near NE. cor. of "Y" on W.R/W fence line extended from S., 1.5 ft. N. of S.R/W fence line extended from W., 69.0 ft. E. & 63.0 ft. from N.R/W fences. OSCC Marker.
X-1,885,185.33 Y-174,458.36 El. 1687.108 ft.

21-H-17 TT 1936; Caddo Co., 1.25 mi.W. of Hinton; near center of S. line approx. SE $\frac{1}{2}$ sec. 32, T12N, R11W; 35.0 ft. N. of C/L E-W sec. line road; 7.0 ft. N. of N.R/W fence in edge of field; nearly N. of large 2 story white farmhouse; 3.0 ft. W. of N-S fence. OSCC Marker.
X-1,886,534.63 Y-171,871.84 El. 1698.117 ft.

21-H-18 TT 1936; Caddo Co., 30.0 ft. N. of C/L E-W sec. line road at SW. cor. of Hinton; near approx. SE. cor. sec. 33, T12N, R11W; 0.32 mi. W. of OK. Hwy. #8 & directly opposite cross fence S., 115.0 ft. N. & 200.0 ft. E. of small farmhouse which is S. of road. OSCC Marker.
X-1,892,200.31 Y-169,126.90 El. 1690.485 ft.

13-A-42 TT 1934; Junction Station. See Traverse 13-A.

Oklahoma Triangulation

Johnston Tri. Sta., (Canadian Co., F. S. 1937) 3.25 mi. S. & 2.25 mi. W. of Calumet; on G.L. Johnston farm; on top of knoll near center approx. SE. SE. sec. 33, T13N, R9W; 590.0 ft. N. & 604.0 ft. W. of approx. SE. cor. sec. 33, approx. 1000.0 ft. NW. of M. Thomas cupalo barn; 612.5 ft. NE. of cross fence S.R/W fence cor., 225.0 ft. E. & in range of pasture fence cor. OSCC Marker set 16 in. below surface.
X-1,953,552.25 Y-201,255.46

Reference mark is std. precast pyramid monument with bronze marker set in SE. cor. of pasture, 228.0 ft. in azimuth $93^{\circ}02'50''$.

Walbaum Tri. Sta., (Canadian Co., N.E.W. 1937) 6.0 mi. E. & 3.5 mi. S. of Geary; 3.5 mi. S. & 0.5 mi. E. of Karnes Store; near center sec. 25, T13N, R10W; on Jack Walbaum farm; 211.3 ft. S. of fence intersection at approx. center sec. 25; 2.5 ft. E. of cross fence S., std. precast pyramid monument with OSCC Marker.

X-1,935,889.34 Y-208,465.70

C/L Hinton W.T. in azimuth $49^{\circ}01'25''$.

Azimuth mark is std. precast pyramid monument with bronze marker set in SW. cor. of Sunny Hill School yard; in SW. cor. NW. sec. 25; 54.0 ft. W. & 115.0 ft. S. of SW. cor. of school bldg., 2.5 ft. N. & 2.5 ft. E. of yard fence in azimuth $94^{\circ}54'05''$.

Coyotte Tri. Sta., (Canadian Co., N.E.W. 1937) 0.5 mi. N. & 1.75 mi. E. of Geary; on N. point of Coyotte hill; near center approx. NE. NW. sec. 4, T13N, R10W; 600.0 ft. S. & 1600.0 ft. E. of NW. cor. sec. 4, about 50.0 ft. S. of N. brow of hill. Std. precast with OSCC Marker.

X-1,919,072.82 Y-231,896.72

C/L Geary's largest W.T. in azimuth $78^{\circ}44'13''$; C/L E. apex on house about 0.5 mi. in azimuth $162^{\circ}48'25''$; C/L W. chimney on house about 0.75 mi. in azimuth $334^{\circ}07'08''$.

Carter Tri. Sta., (Canadian Co., N.E.W. 1937) 2.25 mi. S. & 0.5 mi. E. of Geary; in N. center NW. sec. 19, T13N, R10W; on cultivated knoll about 800.0 ft. SW. of farmhome of Carter & Rittenhouse occupied by G.H. McGauthey; in old fence row; 103.0 ft. W. of cross fence cor., 187.0 ft. E. of cross fence cor., OSCC Marker 16 in. below surface.

X-1,908,451.61 Y-215,998.68

C/L Hinton W.T. in azimuth $18^{\circ}14'58''$; C/L Bridgeport W.T. in azimuth $50^{\circ}53'58''$; C/L Geary's largest W.T. in azimuth $162^{\circ}16'18''$.

Azimuth mark is std. precast pyramid monument set in fence cor. near approx. NW. cor. NE. NE. sec. 24, T13N, R11W; 30.0 ft. S. of C/L twp. road; 2.5 ft. S. & 2.5 ft. E. of R/W cross fence cor. in azimuth $107^{\circ}07'55''$.

Hydro Triangulation

A-14-B TT 1938; Caddo Co., 3.25 mi. S. of Hydro; 500.0 ft. N. & 500.0 ft. E. of approx. center sec. 21, T12N, R13W; on very tip of highest sandy knoll in vicinity; plainly visible for miles from all directions. OSCC Marker. C/L Bridgeport W.T. in azimuth $255^{\circ}10'15''$; C/L Hydro W.T. in azimuth $179^{\circ}45'15''$; C/L Hinton W.T. in azimuth $279^{\circ}43'29''$.

X-1,827,659.16 Y-183,428.09

B-14-B TT 1938; Blaine Co., 1.0 mi. N. & 1.4 mi. E. of Hydro; 212.0 ft. W. & 518.0 ft. S. of approx. NE. cor. NW. sec. 34, T13N, R13W; on N. peak of twin red peaks visible for miles from all directions. OSCC Marker. C/L Hydro W.T. in azimuth $59^{\circ}42'01''$; C/L Bridgeport W.T. in azimuth $277^{\circ}02'19''$; C/L Hinton W.T. in azimuth $300^{\circ}04'16''$.

X-1,835,537.24 Y-205,908.90

C-14-B TT 1938; Caddo Co., 2.0 mi. W. & 0.75 mi. S. of Hydro; 790.0 ft. S. & 623.0 ft. E. of approx. NW. cor. NE. sec. 7, T12N, R13W; in pasture just N. of top of high knoll. OSCC Marker. C/L Hydro W.T. in azimuth $238^{\circ}26'25''$; C/L Bridgeport W.T. in azimuth $266^{\circ}32'54''$.

X-1,817,681.37 Y-195,179.68

D-14-B TT 1938; Blaine Co., 1.0 mi. W. & 2.6 mi. N. of Hydro; near approx. SW. cor. NW. SW. sec. 21, T13N, R13W; 3.0 ft. W. of E. R/W fence in range with short "T" fence to E. OSCC Marker. C/L chimney on 2 story frame house about 0.75 mi. in azimuth $56^{\circ}14'45''$; C/L Hydro W.T. in azimuth $338^{\circ}53'37''$.

X-1,822,689.74 Y-213,946.40

E-14-B TT 1938; Blaine Co., 2.0 mi. W. & 1.65 mi. N. of Hydro; 1500.0 ft. N. & 30.0 ft. W. of approx. SE. cor. NE. sec. 30, T13N, R13W; 35.0 ft. E. & 1000.0 ft. N. of NE. cor. of old schoolhouse; 2.5 ft. E. of W. R/W fence. OSCC Marker. C/L chimney on 2 story house in azimuth $227^{\circ}15'07''$; C/L Hydro W.T. in azimuth $309^{\circ}34'28''$; C/L steeple on church about 8 mi. in azimuth $332^{\circ}08'08''$.

X-1,817,330.11 Y-209,739.27

J-14-B TT 1938; Caddo Co., (K.K.H.) 4.0 mi. S. & 3.7 mi. E. of Hydro; is on most NE. of several buttes in approx. NW $\frac{1}{4}$ sec. 30, T12N, R12W; sta. is bronze cap stamped J-14-B, set in native rock & is very near center of NW $\frac{1}{4}$ sec. 30; in range of 1/16 fences to S. & E.

X-1,847,205.96 Y-178,815.77

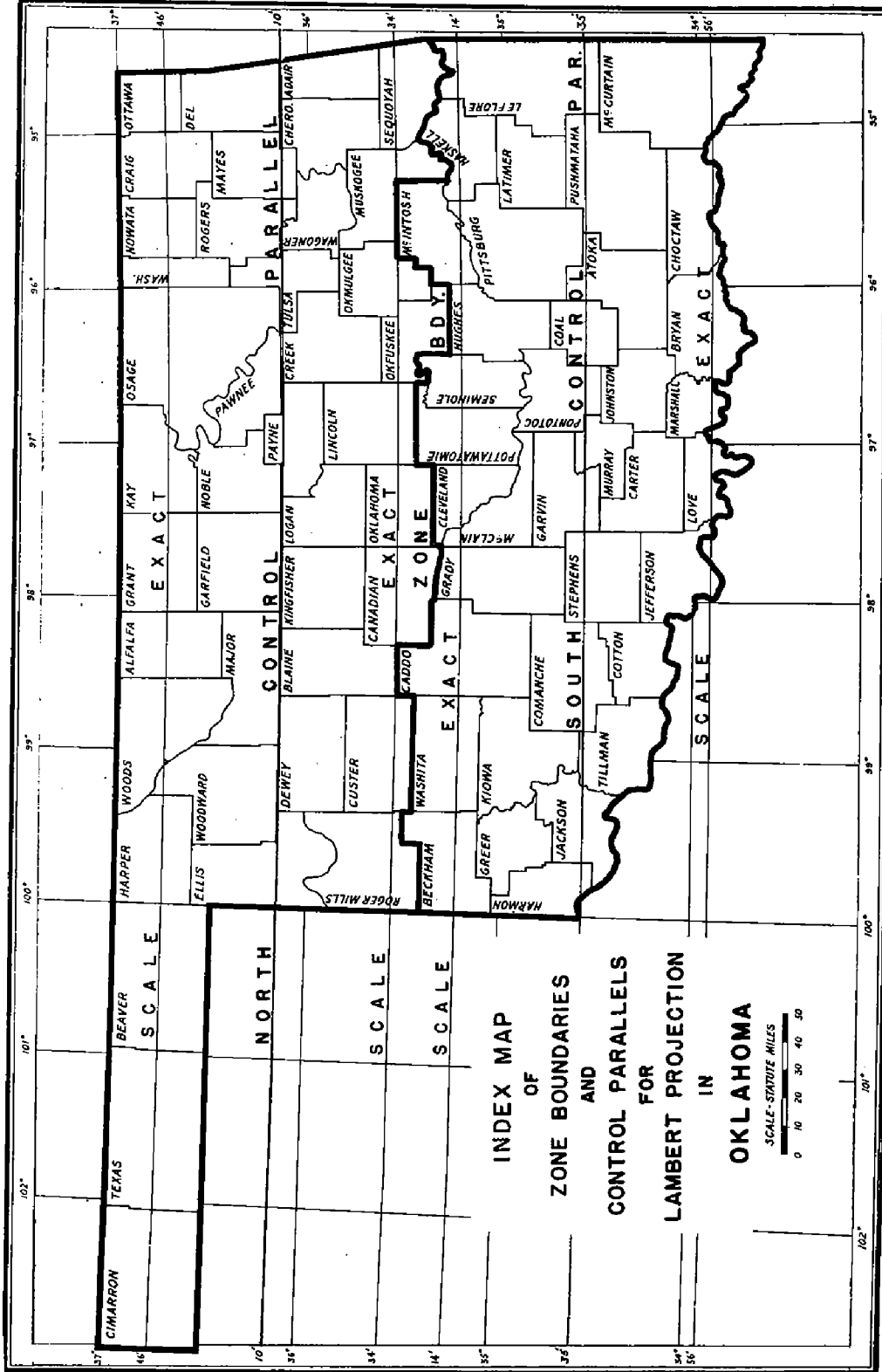
21-H- 7 - 8 - 9 TT 1936; Junction Stations. See Traverse 21-H.

A-9-J TT 1938; Caddo Co., 8.75 mi. S. & 0.6 mi. E. of Hydro; 28.0 ft. S. & approx. 725.0 ft. E. of approx. NW. cor. sec. 22, T11N, R13W; 3.5 ft. N. of S. R/W fence. OSCC Marker. C/L chimney on house about 4 mi. in azimuth $53^{\circ}25'48''$; C/L chimney on schoolhouse about 0.75 mi. in azimuth $222^{\circ}00'40''$; C/L E. chimney on T-shaped house about 0.75 mi. in azimuth $308^{\circ}26'13''$.

X-1,830,717.31 Y-153,664.87

A-21-H TT 1938; Caddo Co., 7.5 mi. S. & 0.75 mi. W. of Hydro; approx. 800.0 ft. N. & 930.0 ft. W. of approx. SE. cor. sec. 8, T11N, R13W; on top of N-S ridge in pasture. OSCC Marker. C/L chimney on Lone Star schoolhouse about 1 mi. in azimuth $111^{\circ}56'26''$; C/L belfry on schoolhouse about 2.5 mi. in azimuth $223^{\circ}34'13''$; C/L chimney on 1 story house about 0.19 mi. in azimuth $314^{\circ}39'18''$.

X-1,823,785.38 Y-159,760.79



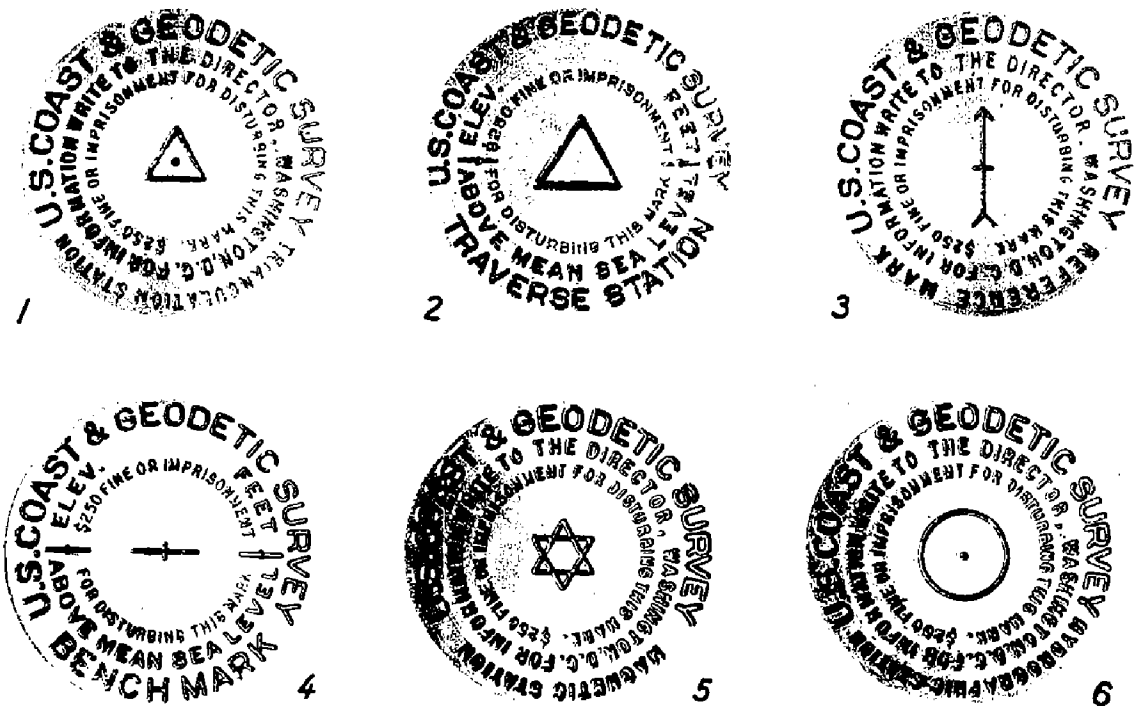
SECTION II
F O R E W O R D

Section II of this publication contains elevations and descriptions of all adjusted bench marks of the U. S. Coast & Geodetic Survey in Northwestern Oklahoma. These bench marks have been established over the past 30 years and, no doubt, many of the earlier ones have been destroyed, and others no longer fit their descriptions. Any information relative to condition of these marks and the adequacy of their descriptions will be appreciated by the aforesaid bureau or Oklahoma Geological Survey.

The leveling executed by the U. S. Coast & Geodetic Survey in Oklahoma is divided into first and second order. First order levels are of the highest grade; are run in forward and backward directions, and have an accuracy corresponding to an allowable discrepancy of $4\text{mm} \sqrt{K}$, where K is the distance from the starting point in kilometers. The second order leveling has been accomplished mostly in recent years. Its accuracy corresponds to an allowable discrepancy of $8\text{mm} \sqrt{K}$; and it is run with the same equipment as used on first order work, but in one direction only. However, the distances between fixed elevations along lines of second order leveling are relatively short, and the actual error of any bench mark is very small.

The bench marks established are of several types as described by reference notes to be found on page 233.

Plate III



STANDARD MARKS OF THE U. S. COAST AND GEODETIC SURVEY

- | | |
|--------------------------------|-------------------------------|
| 1. Triangulation Station Mark. | 4. Bench Mark. |
| 2. Traverse Station Mark. | 5. Magnetic Station Mark. |
| 3. Reference Mark. | 6. Hydrographic Station Mark. |

GENERAL NOTES DESCRIBING DIFFERENT FORMS AND MARKINGS OF
BENCH MARKS CONNECTED WITH THE LEVEL NET

NOTE 1.-This type of bench mark is the red metal disk designed by the Coast and Geodetic Survey, lettered "U. S. Coast & Geodetic Survey, B. M. \$250 fine or imprisonment for disturbing this mark". The disk is 3 inches in diameter, with a 3-inch tenon upon the back for setting it, and is set in cement flush with a horizontal or vertical surface. In the latter case a horizontal mark cut on it, or the horizontal mark of a cross, is the bench mark.

NOTE 2.-This type of bench mark has the same lettering as that referred to in note 1, and is a 3-inch red metal cap, somewhat curved, screwed upon a 4-foot or $4\frac{1}{2}$ ft. iron pipe set in the ground and usually cemented at the base, from 4 to 6 inches being exposed above the ground. The base of the pipe is split and spread to a diameter of about a foot. For placing the foot of the level rod accurately a square or small circle was cut in outline in the center of the cap.

NOTE 3.-This type of bench mark is a stone post 4 ft. long set in the ground with 6 inches exposed, and this portion is dressed. The upper surface is 6 inches square and plane, being marked in the center with a $\frac{1}{2}$ inch copper bolt, 2 inches long, set flush with the surface; the top of the bolt is the bench mark; the upper surface of the stone is lettered "U.S.B.M." and when the post is set near the railroad these letters face the track.

NOTE 4.-This type of bench mark is a brass or copper bolt, usually set in lead or cement, flush with a horizontal or vertical surface. In the latter case, a horizontal mark cut on the face of the bolt, or the horizontal mark of a cross, is the bench mark.

NOTE 5.-This type of bench mark is the bottom of a hole in a horizontal surface, 25 millimeters square, 4 millimeters deep, lettered "U.S.B.M."

NOTE 6.-Where a hydrant has been used the bench mark is the highest point, a brass nut used as a check valve. These may not be considered stable points. They are, however, the most accurately defined of the city bench marks.

NOTE 7.-Bench marks referred to in this note are upon a Coast and Geodetic Survey triangulation station mark or witness mark, a terra cotta pipe filled and surrounded with concrete, from which projects the point of a nail. The bench mark is a square hole cut near the nail.

NOTE 8.-This type of a bench mark is the smooth bottom of a round cut, or shallow drill hole, 8 millimeters deep and 25 millimeters in diameter, in horizontal stone surface.

NOTE 9.-Bench marks referred to this note are upon a Coast & Geodetic Survey triangulation station mark, a terra-cotta pipe filled and surrounded with concrete, from which projects the point of a nail, against which the rod was held.

NOTE 10.-Bench Marks referred to this note consists of a copper bolt in a bench mark stone, set 4 ft. underground, covered by a 3-inch iron pipe marked "U.S.B.M."

NOTE 12.-The top of a copper bolt cemented in the top of a 4 foot reenforced concrete post, 7 inches square, with edges beveled, projecting about 6 inches from ground, with top marked "U.S.B.M."

NOTE 13.-The surface within an outlined square, 1 inch on each side, on a horizontal surface of masonry or metal, unlettered.

NOTE 14.-The surface within an outlined square, 1 inch on each side, on a horizontal surface of masonry, lettered "U. S."

NOTE 15.-The bottom of a hole in a horizontal surface, 25 millimeters square and 4 to 6 millimeters deep, lettered "U. S."

NOTE 16.-The bottom of a hole in a horizontal surface, 25 to 30 millimeters square, 4 millimeters deep, not lettered.

NOTE 17.-A 3-inch aluminum or bronze disk lettered "U. S. Geological Survey B.M. \$250 fine or imprisonment for disturbing this mark. Elevation above sea---feet". Datum---. Each disk is stamped with the approximate elevation in feet and a letter or letters to indicate the datum plane. This elevation and datum letter or letters usually form the name by which the bench mark is designated in this publication.

NOTE 18.-This type of bench mark has the same lettering as that referred to in note 17, and is a 3-inch aluminum or bronze cap riveted upon a 3-inch pipe set in the ground, 5 to 6 inches being exposed above the ground. A cross cut in the center of the top is the bench mark.

NOTE 20.-A cross on the top of a section of rail set vertically in the ground. Those designated "M.M." (mile monument) mark the exact mile which is indicated by the numeral following; the others are designated "R.M." (rail monument).

NOTE 25.-This type of bench mark is a square post of concrete made of Portland cement and fine gravel, of the grade called artificial stone, somewhat finer than that of which sidewalk blocks are made. It is 4 ft. long, projecting 3 inches above the ground, 6 inches square at the base and 4 inches square at the top, with a copper bolt set flush with the top surface, which is lettered "U.S.B.M."

NOTE 42.-A bench mark referred to this note is the highest point in a square cut in stone and marks thus: U. \square S.

NOTE 43.-A bench mark referred to this note consists of a copper bolt leaded vertically into stone, the top of the bolt being the bench mark. It is lettered thus: U. S.

O

P B M

NOTE 44 -A bench mark referred to this note is the center of a cross (+) cut on the cross section or end of a piece of railway rail set vertically in the ground.

NOTE 45.-A bench mark referred to this note is the highest point in a square cut in a stone surface and marked: S D

\square

P B M

NOTE 46.-A bench mark referred to this note is center punch mark in the end of a copper bolt leaded into stone, and lettered: S D

O

P B M

NOTE 49.-A bench mark referred to in this note is the top of a copper bolt set vertically in the top of a truncated square pyramid of concrete built below the ground surface and surmounted by a square cast iron cover with removable lid.

NOTE 50.-A 3-inch aluminum or bronze disk lettered "U.S. Geological Survey B.M. \$250 fine or imprisonment for disturbing this mark".

NOTE 51.-This type of bench mark is a 3-inch aluminum or bronze cap (lettered as in note 27) riveted upon a 3-inch iron pipe set in the ground.

NOTE 52.-This type of bench mark is a plain iron cap, marked with a chisel "U. S." and screwed upon a 4-foot or 4 $\frac{1}{2}$ foot iron pipe set in the ground. The base of the pipe is usually split and spread to a diameter of about a foot and set in cement.

NOTE 54.-This type of bench mark is a 3-inch aluminum or bronze disk lettered "U.S. Reclamation Service B.M. \$250 fine or imprisonment for disturbing this mark. Elevation above sea level---feet. Datum---". The elevation and datum are stamped on the bench mark, and it is referred to in the same manner as in Note 17.

NOTE 55.-This type of bench mark is the upper flat end of a section of railroad rail, from 2 to 2 $\frac{1}{2}$ feet long, set in stone with 4 to 6 inches exposed. The upper end of the rail is stamped with a cross and the letters "U.S.B.M."

NOTE 56.-A copper bolt set, usually with lead, into stone or brick with the letters U.S.B.M. surrounding the bolt. When the bolt is set in a vertical support the exact point defined by the bench mark is indicated by a horizontal line or by the intersection of cross lines on the head of the bolt in a horizontal surface; otherwise the top of the bolt is the bench mark.

NOTE 57.-A copper bolt set, usually with lead into stone or brick; its head is divided into quadrants by cross lines, each quadrant containing one of the letters "U.S.B.M." The intersection of the cross lines is the bench mark.

NOTE 59.-A brass plate, 10 centimeters in diameter, cemented into stone or brick flush with surface. The raised center is marked by cross lines, the intersection of which is the bench mark, and by the letters "U.S.B.M."

NOTE 60.-A type of bench mark set by the U.S. Army Engineers. It consists of a concrete slab 16 x 16 by 4 inches set about 3 feet in the ground. A copper bolt is embedded in the concrete slab, which is also surmounted by an iron pipe 4 inches in diameter and 4 feet long with a cap bolted to its top. The center of the cap is directly above the bolt in the slab. Elevations are usually taken on both the bolt and the center of the cap.

NOTE 61.-A type of bench mark set by the U.S. Army Engineers. It consists of an iron pipe, 3 inches in diameter and 5 feet long, set $4\frac{1}{2}$ feet into the ground and covered with cap. Elevations are taken on the knob of the cap.

United States Coast & Geodetic Survey
 First-Order Leveling
 Garfield, Alfalfa, Woods, & Woodward Co's.
 Line # 7---Enid to Woodward, Oklahoma
 Oklahoma Section

For additional elevations in vicinity of Kremlin, see Traverse 7-C and 7-B.

H-1-1928; Garfield Co., 3.0 mi.S.of Kremlin; in NW.cor.NE $\frac{1}{4}$ sec.4, T23N,R6W; about 40.0 ft.S.of C/L of road; 100.0 ft.W.of C/L CRI&P RR track; 6.0 ft.SE.of three-way fence line. Conc.post marked "US 1169 PBM" Note 17. El. 1169.320 ft.

H-2-1928; Garfield Co., 2.0 mi.N.of N.Enid; in approx.NW.cor.SW $\frac{1}{4}$ sec.16,T23N,R6W; about 240.0 ft.E.of CRI&P RR track; 40.0 ft.NE.of C/L of road crossing; 5.0 ft.NE.of fence cor. Conc.post marked "US 1264 PBM" Note 17. El. 1263.919 ft.

H-3-1928; Garfield Co., At N.Enid; near SW.cor.SE $\frac{1}{4}$ sec.29,T23N,R6W; about 620.0 ft.N.of CRI&P RR depot; 69.0 ft.E.of C/L of track; 6.0 ft.S.of rear pump house at well, marked "USBM 1251" in conc.wall, 6 inches from outer edge. Note 17. El. 1250.851 ft.

H-4-1928; Garfield Co., In Enid; about 100.0 ft.E.of SL&SF RR depot 29.0 ft.E.of C/L of Independence St., at SW.cor.of park; 6.0 ft.S. of watchman's house. Conc.post. Note 17. El. 1248.392 ft.

1246.4 (City of Enid) Garfield Co., At Enid; at SE.intersection of Independence & W.Randolph Sts., at NW.cor.of Co. C.H. yard; in curb mark a copper bolt. El. 1246.426 ft.

1244 (City of Enid) Garfield Co., At Enid; at SW.intersection of N. Grand & W. Randolph Sts., at NE.cor. of Co. C.H. yard; top city engineer's block. Mark, chisled square "1244". El. 1245.422 ft.

H-5-1928; Garfield Co. At Enid; at W.entrance to Post Office; 2.0 ft.S.from edge of walk leading to bldg., Conc.post. Note 17. El. 1245.525 ft.

For additional elevations in vicinity of Enid see Line # 15 & # 34, & traverse 9-A, 9-C, 7-D, & 15-B.

H-6-1928; Garfield Co., 3.2 mi.NW.of Enid; at Blanton; about 51.0 ft.S.of intersection of SL&SF & AT&SF RR's; 300.0 ft.W.of road crossing; 2.0 ft.S.of fence; near pole marked "US PEM 1314". Conc. post. Note 17 El. 1314.497 ft.

H-7-1928; Garfield Co., 3.8 mi.SE.of Carrier; at NE.cor.SE $\frac{1}{4}$ sec.20, T23N,R7W; 46.0 ft.S.of SL&SF RR track; 71.0 ft.W.of road; 4.0 ft.NW. of three-way fence; near pole marked "US 1334 PBM". Conc.post. Note 17. El. 1334.323 ft.

H-8-1928; Garfield Co., 0.5 mi.SE.of Carrier; in NE.cor.NE $\frac{1}{4}$ sec.14, T23N,R8W; 57.0 ft.N.of C/L hwy.leading W., 83.0 ft.W.of C/L of road leading N.to Hillsdale; 45.0 ft.S.of SL&SF RR track; 3.0 ft.N.of fence; near pole marked "US 1347 PBM". Conc.post. Note 17. El. 1346.913 ft.

H-9-1928; Garfield Co., 2.9 mi.NW.of Carrier; in SW $\frac{1}{4}$ sec.4,T23N,R8W; 38.0 ft.E.of road; 35.0 ft.N.of SL&SF RR track; 4.0 ft.SE.of three-way fence; near pole marked "US 1361 PBM". Conc.post. Note 17. El. 1361.101 ft.

H-10-1928; Alfalfa Co., 3.2 mi.SE.along SL&SF RR from Goltry; at SE $\frac{1}{4}$ sec.36,T24N,R9W; 47.0 ft.W.of boundary road between Alfalfa & Garfield Co's., 6.0 ft.S.of three-way fence; near pole marked "US 1352 PBM". Conc.post. Note 17. El. 1351.980 ft.

H-11-1928; Alfalfa Co., At Goltry; about 160.0 ft.NW.of SL&SF RR depot; 175.0 ft.S.of main track; 39.0 ft.W.of C/L of road; at NE.cor.of front yard on J.S.Honeywell property; at angle in fence line; near pole marked "US 1380 PBM". Conc.post. Note 17. El. 1380.156 ft.

- H-12-1928; Alfalfa Co., 3.25 mi.E.of Helena; at E.side of SE $\frac{1}{4}$ sec. 24,T24N,R10W; 32.0 ft.W.of road; 52.0 ft.N.of SL&SF RR track; 3.0 ft. NW.of three-way fence; near pole marked "US 1371 PBM". Conc.post. Note 17. El. 1371.190 ft.
- H-13-1928; Alfalfa Co., 0.25 mi.E.of Helena; 31.0 ft.E.of road; 52.0 ft.S.of SL&SF RR track; 4.0 ft.NE.of angle fence line; near pole marked "US 1397 PBM". Conc.post. Note 17. El. 1396.826 ft.
- H-14-1928; Alfalfa Co., About 2.0 mi.E.of McWillie; 52.0 ft.N. of SL&SF RR track; 37.0 ft.E.of road; 3.0 ft.NE.of three-way fence; near pole marked "US 1429 PBM". Conc.post. Note 17. El. 1429.349 ft.
- H-15-1928; Alfalfa Co., McWillie; about 100.0 ft.W.of SL&SF RR depot; 49.0 ft.S.of main track; 44.0 ft.W.of N-S road; 15.0 ft.N.of E-W road; near pole marked "US 1444 PBM". Conc.post. Note 17. El. 1443.793 ft.
- H-16-1928; Alfalfa Co., 3.1 mi.SE.of Carmen; in SE $\frac{1}{4}$ sec.18,T24N, R11W; 58.0 ft.S.of SL&SF RR track; 48.0 ft.W.of road; about 15.0 ft.W.of a point 2.5 ft.S.of a three-way fence. near pole marked "US 1350 PBM". Conc.post. Note 17. El. 1349.651 ft.
- H-17-1928; Alfalfa Co., At Carmen; about 0.3 mi.W.of SL&SF RR track; in foundation block of SE support of City water tank marked "US 1354 PBM" Note 17. El. 1354.010 ft.
- H-18-1928; Alfalfa Co., 3.6 mi.NW.of Carmen; 46.0 ft.S.of SL&SF RR track at MP #584; 42.0 ft.W.of road; 5.0 ft.NW.of fence cor., near pole marked "US 1365 PBM". Conc.post. Note 17. El. 1365.444 ft.
- H-19-1928; Woods Co., 1.8 mi.SE.of Dacoma; in SE $\frac{1}{4}$ sec.13,T25N,R13W; 84.0 ft.S.of SL&SF RR track; 42.0 ft.N.of road; 5.0 ft.NW.of fence cor., near pole marked "US 1357 PBM". Conc.post. Note 17. El. 1357.189 ft.
- H-20-1928; Woods Co., At Dacoma; about 140.0 ft.SE.of SL&SF RR depot; 14.0 ft.N.of track; in middle conc.foundation water tank, marked "US 1360 PBM". Note 17. El. 1360.206 ft.
- H-21-1928; Woods Co., 2.9 mi.NW.of Dacoma; in SE $\frac{1}{4}$ sec.33,T26N,R13W; 51.0 ft.S.of SL&SF RR track; 39.0 ft.N.of road; 30.0 ft.SW.of angle in fence; near pole marked "US 1389 PBM". Conc.post. Note 17. El. 1388.993 ft.
- H-22-1928; Woods Co., 5.5 mi.NW.of Dacoma; 1.0 mi.E.of Hopeton; at E.side of sec.36,T26N,R14W; 51.0 ft.S.of SL&SF RR track; 45.0 ft.W. of road; 4.0 ft.SW.of three-way fence; near pole marked "US 1406 PBM"; Conc. post. Note 17. El. 1406.181 ft.
- H-23-1928; Woods Co., 2.0 mi.W.of Hopeton; at NW $\frac{1}{4}$ sec.34,T26N,R14W; 52.0 ft.S.of SL&SF RR track; 470.0 ft.E.of road crossing; 3.0 ft.SW.of jog of R/W fence near fence post marked "US 1441 PBM". Conc.post. Note 17. El. 1440.764 ft.
- H-24-1928; Woods Co., 1.8 mi.E.of Avard; in SW $\frac{1}{4}$ sec.30,T26N,R14W; 46.0 ft.S.of SL&SF RR track; 53.0 ft.E.of road; 6.0 ft.NE.of angle in fence; near fence post marked "US 1452 PBM". Conc.post. Note 17. El. 1450.928 ft.
- H-25-1928; Woods Co., At Avard; 310.0 ft.N.of jct.of SL&SF & AT&SF RR; 35.0 ft.E.of AT&SF main track, in NW.cor.old conc.foundation block; near pole marked "US 1481 PBM". Note 17. El. 1480.855 ft.
- For additional elevations in vicinity of Avard see line # 63.
- H-26-1928; Woods Co., 1.7 mi.SW.of Avard; 46.0 ft.W.of AT&SF RR track; 61.0 ft.S.of road; in line with row of poles; near pole marked "US 1493 PBM". Conc.post. Note 17. El. 1492.533 ft.
- H-27-1928; Woods Co., 4.2 mi.SW.of Avard; 54.0 ft.E.of AT&SF RR track; 34.0 ft.S.of road; 5.0 ft.SE.of angle fence; near pole marked "US 1541 PBM". Conc.post. Note 17. El. 1540.690 ft.
- H-28-1928; Woods Co., 2.6 mi.NW.of Waynoka; 35.0 ft.E.of AT&SF RR track; 53.0 ft.SE.of road crossing; 3.5 ft.E.of angle fence; near pole marked "US 1506 PBM". Conc.post. Note 17. El. 1506.010 ft.

H-29-1928; Woods Co., At Waynoka; about 270.0 ft.N.of N.end of AT & SF RR depot; at N.end of park; 50.0 ft.E.of main track; 30.0 ft.W.of road; conc.post. Note 17. El. 1476.465 ft.

Waynoka Magnetic Station; Woods Co., At Waynoka; about 0.25 mi.W. of center of town; in NW.cor.Elm Park; 115.0 ft.E.of W.fence; 109.0 ft. S.of N.fence. Mark is std.magnetic sta.tablet set on top of limestone post. El. 1475.977 ft.

For additional elevations in vicinity of Waynoka see line # 9.

H-30-1928; Woods Co., 1.3 mi.N.of Heman; 150.0 ft.S.of AT&SF RR track; 35.0 ft.E.of road; 5.0 ft.NE.of fence cor., near pole marked "US 1410 PEM". Conc.post. Note 17. El. 1410.150 ft.

H-31-1928; Woods Co., 1.4 mi.S.of Heman; 47.0 ft.E.of AT&SF RR track; 15.0 ft.N.of road; 4.0 ft.NW.of angle in fence; near a fence post marked "US 1404 PEM". Conc.post. Note 17. El. 1404.226 ft.

H-32-1928; Woodward Co., 0.2 mi.E.of Belva; 47.0 ft.S.of AT&SF RR track; 28.0 ft.E.of OK.Hwy.#15; near pole marked "US 1517 PEM". Conc. post. Note 17. El. 1516.451 ft.

H-33-1928; Woodward Co., 1.9 mi.NE.of Quinlan; 75.0 ft.NW.of AT&SF RR track; 38.0 ft.SW.of road; 4.0 ft.S.of fence cor., near pole marked "US 1642 PEM". Conc.post. Note 17. El. 1641.827 ft.

H-34-1928; Woodward Co., at Quinlan; about 380.0 ft.SW.of AT&SF RR depot; 55.0 ft.W.of main track; 100.0 ft.SW.of road crossing; near pole marked "US 1753 PEM". Conc.post. Note 17. El. 1753.238 ft.

H-35-1928; Woodward Co., 2.7 mi.E.of Curtis; 0.4 mi.W.of MP.#364; 58.0 ft.S.of AT&SF RR track; at W.end of cut; near pole marked "US 1897 PEM". Conc.post. Note 17. El. 1896.741 ft.

H-36-1928; Woodward Co., At Curtis; 175.0 ft.W.of AT&SF RR depot; 10.0 ft.S.of main track; 89.0 ft.E.of road crossing; at water column marked "US 1951 PEM" & in SE.cor.of conc.foundation. Note 17. El. 1951.155 ft.

H-37-1928; Woodward Co., At Moreland; 0.2 mi.E.of AT&SF RR depot; in NW.cor.of sec.foreman's yard; 58.0 ft.S.of track; 98.0 ft.E.of Main St., near cor.fence post marked "US 1893 PEM". Conc.post. Note 17. El. 1892.620 ft.

H-38-1928; Woodward Co., 2.2 mi.W.of Moreland; 53.0 ft.N.of AT&SF RR track; 30.0 ft.W.of road; 4.0 ft.N.of three-way fence; near pole marked "US 1870 PEM". Conc.post. Note 17. El. 1869.951 ft.

H-39-1928; Woodward Co., 5.25 mi.E.of Woodward; 0.25 mi.W.of Alaton siding; 48.0 ft.S.of AT&SF RR track; 37.0 ft.E.of road; near fence post marked "US 1874 PEM". Conc.post. Note 17. El. 1874.040 ft.

H-40-1928; Woodward Co., 2.2 mi.E.of Woodward; 48.0 ft.S.of AT&SF RR track; 297.0 ft.E.of block signal 3802; 42.0 ft.N.of C/L OK.Hwy.#15; 2.0 ft.NE.of angle in fence; near pole marked "US 1885 PEM". Conc.post. Note 17. El. 1875.851 ft.

H-41-1928; Woodward Co., At Woodward; 104.0 ft.S.of E.entrance to AT&SF RR depot; in SW.cor.of park; 48.0 ft.E.of C/L of 10th St., 45.0 ft.N.of C/L Kansas Ave., 6.0 ft.NE.of hedge. Conc.post. Note 17. El. 1904.327 ft.

H-42-1928; Woodward Co., At Woodward; in H.S. yard; 84.0 ft.S.of intersection of 10th St. & Locust Ave., 120.0 ft.N.of N.entrance to school; 4.0 ft.S.of flag pole; Conc. post. Note 17. El. 1916.671 ft.

For additional elevations in vicinity of Woodward, see lines # 16, # 28, # 70, & Traverse # 9-D, # 10-C, & # 10-E.

United States Coast & Geodetic Survey
 First-Order Leveling; Ellis & Woodward Co.
 Line #7-A-Canadian, Texas to Woodward, Oklahoma
 Oklahoma Section

107 (U.S. Supreme Court)-Ellis Co., Oklahoma, Lipscomb Co. Texas, at Texas-Oklahoma State Line, about 1.4 mi. NE. of Higgins, Texas; 308.0 ft. N. of 8th pole W. of MP. #427; 212.0 ft. N. of C/L of AT&SF track; 160.0 ft. N. of R/W fence; Supreme Court std. boundary mark disk, stamped "107" set in top of conc. post. El. 2574.821 ft.

RV 6 (AT&SF RR)-Ellis Co., about 12.4 mi. SW. of Shattuck; about 0.5 mi. NE. of Texas-Oklahoma State Line; at culvert # 426-A, in top of S. conc. headwall, 21.0 ft. S. of C/L AT&SF track. Monel-metal rivet. El. 2558.171 ft.

RV 7 (AT&SF RR)-Ellis Co., About 10.9 mi. SW. of Shattuck; about 2.0 mi. NE. of Texas-Oklahoma State Line; 30.0 ft. S. of 7th pole S. of MP. #425; at AT&SF culvert #425-B, in top of E. conc. headwall. Monel-metal rivet. El. 2534.706 ft.

A-32 1934; Ellis Co., 10.7 mi. SW. of Shattuck; about 2.2 mi. NE. of Texas-Oklahoma State Line; 39.0 ft. W. of C/L of AT&SF RR track; 130.0 ft. NW. of MP. #425. Conc. post. 305.0 ft. N. of a conc. culvert #425-A. Note 1 El. 2536.655 ft.

C-32 1934; Ellis Co., 9.6 mi. SW. of Shattuck; 3.3 mi. NE. of Texas-Oklahoma State Line; 73.0 ft. N. of C/L AT&SF RR track; 350.0 ft. E. of MP. #424; 27.0 ft. S. of R/W fence. Conc. post. Note 1. El. 2509.034 ft.

B-32 1934; Ellis Co., 8.8 mi. SW. of Shattuck; 2.0 mi. SW. of Goodwin; 30.0 ft. E. of C/L AT&SF RR track; at conc. arch culvert #423-A; in top of NE. cor., Note 1. El. 2471.550 ft.

RV 8 (AT&SF RR)-Ellis Co., 7.8 mi. SW. of Shattuck; 1.0 mi. SW. of Goodwin; 33.0 ft. E. of C/L AT&SF RR track; at arch culvert #422-A, in top of NE. conc. headwall. Monel-metal rivet. El. 2443.486 ft.

D-32 1934; Ellis Co., 6.8 mi. SW. of Shattuck; at Goodwin; 60.0 ft. E. of C/L AT&SF RR track; 134.0 ft. SE. of MP. #421; 30.0 ft. W. of NW. cor. of sec. house. Conc. post. Note 1. El. 2414.985 ft.

E-32 1934; Ellis Co., 4.7 mi. SW. of Shattuck; 2.1 mi. NE. of Goodwin; 82.0 ft. W. of C/L AT&SF RR track; 18.0 ft. E. of R/W fence; 100.0 ft. SW. of MP. #419. Conc. post. Note 1. El. 2363.201 ft.

RV 9 (AT&SF RR) Ellis Co., 3.4 mi. SW. of Shattuck; 30.0 ft. W. of C/L of AT&SF RR track, at conc. arch culvert #417-B, in top of SW. cor. Monel metal rivet. El. 2319.556 ft.

F-32 1934; Ellis Co., 2.7 mi. SW. of Shattuck; 65.0 ft. W. of AT&SF RR track; 124.0 ft. NE. of MP. #417; 10.0 ft. E. of R/W fence; conc. post. Note 1. El. 2302.613 ft.

RV 10 (AT&SF RR) Ellis Co., 1.7 mi. SW. of Shattuck; 24.0 ft. S. of AT & SF RR MP. #416; conc. arch culvert 416-A; in top of NE. cor. of headwall; 3.0 ft. lower than track. Monel-metal rivet. El. 2268.033 ft.

G-32 1934; Ellis Co., 1.0 mi. SW. of Shattuck; 62.0 ft. S. of C/L of AT&SF RR track; 0.25 mi. W. of MP. #415; 15.0 ft. N. of R/W fence. Conc. post Note 1. El. 2246.416 ft.

Shattuck; 1934; Ellis Co., At Shattuck; in SE. cor. of AT&SF park; 60.0 ft. W. of C/L of Main St., 36.0 ft. N. of C/L Grand Ave., 9.0 ft. N. of S. railing; Conc. post. Note 1. El. 2237.069 ft.

H-32 1934; Ellis Co., At Shattuck; on R/W of AT&SF RR; about 160.0 ft. E. of Main St. crossing; at E. water crane; 12.0 ft. S. of C/L of main track in top of SW. cor. of conc. foundation. Note 1. El. 2234.841 ft.

For additional elevations in vicinity of Shattuck, see Shattuck to Sayre, line # 26 and Stratford, Texas to Shattuck, line # 26-A.

413 (AT&SF RR) Ellis Co., 1.3 mi. NE. of Shattuck; 58.0 ft. S. of C/L of AT&SF RR track; 26.0 ft. W. of MP. #413; bolt set in top of conc. post. El. 2198.378 ft.

- J-32 1934; Ellis Co., 2.3 mi.NE.of Shattuck; 43.0 ft.S.of C/L of AT&SF RR track; 534.0 ft.W.of MP.#412; 7.0 ft.N.of R/W fence. Conc. post. Note 1. El. 2184.107 ft.
- 410 (AT&SF RR) Ellis Co., about 3.9 mi.NE.of Shattuck; 41.0 ft.S. of C/L AT&SF RR track; 0.3 mi.W.of MP.#410; 9.0 ft.N.of R/W fence; bolt set in top of conc.post. El. 2170.166 ft.
- K-32 1934; Ellis Co., 2.3 mi.SW.of Gage; 45.0 ft.S.of C/L of AT&SF RR track; 50.0 ft.S.of MP.#409; 5.0 ft.N.of R/W fence. Conc.post. Note 1. El. 2163.867 ft.
- RV 11 (AT&SF RR) Ellis Co., 1.8 mi.SW.of Gage; AT&SF RR arch bridge #408-B, in top of SE.conc.headwall; 5.0 ft.lower than track. Monel-metal rivet. El. 2157.095 ft.
- 408 (AT&SF RR) Ellis Co., 1.3 mi.SW.from Gage; 45.0 ft.S.of C/L AT&SF RR track; 95.0 ft.S.of MP.#408; 5.0 ft.N.of R/W fence. Bolt set in top of conc.post. El. 2156.554 ft.
- M-32 1934; Ellis Co., 1.0 mi.SW.of Gage; at AT&SF RR conc.arch bridge #407-A, in top of SE.cor.headwall; 3.0 ft.lower than track. Conc.post. Note 1. El. 2147.181 ft.
- L-32 1934; Ellis Co., at Gage; in SE.cor.of First Nat'l.Bank bldg., 10.0 ft.S.of main entrance; 18" above sidewalk on Main St. Note 1. El. 2135.924 ft.

For additional elevations in vicinity of Gage, see traverse 10-C.

- 406 (AT&SF RR) Ellis Co., 0.6 mi.NE.of Gage; 45.0 ft.S.of C/L of AT&SF track; 390.0 ft.W.of MP.#406; 5.0 ft.N.of R/W fence. bolt set in top of conc.post. El. 2133.703 ft.
- N-32 1934; Ellis Co., 1.7 mi.NE.of Gage; 44.0 ft.N.of C/L AT&SF RR track; 11.0 ft.E.of MP.#405; 6.0 ft.S.of R/W fence. Conc.post. Note 1. El. 2119.041 ft.
- 404 (AT&SF RR) Ellis Co., 2.7 mi.NE.of Gage; 80.0 ft.S.of AT&SF RR track; 198.0 ft.E.of MP.#404; 20.0 ft.N.of R/W fence. Bolt set in top of conc.post. El. 2113.703 ft.
- P-32 1934; Ellis Co., 4.8 mi.SW.of Fargo; 41.0 ft.S.of C/L AT&SF RR track; 332.0 ft.W.of MP.#403; 9.0 ft.N.of R/W fence; 2.0 ft.higher than track. Conc.post. Note 1. El. 2116.557 ft.
- 402 (AT&SF RR) Ellis Co., 3.6 mi.SW.of Fargo; 47.0 ft.S.of C/L of AT&SF RR track; 534.0 ft.E.of MP.#402; 3.0 ft.N.of R/W fence. bolt set in top of conc.post. El. 2114.294 ft.
- RV 12 (AT&SF RR) Ellis Co., 3.2 mi.SW.of Fargo; AT&SF RR conc.arch culvert # 401-B; in SE.cor.headwall; 3.0 ft.lower than track. Monel-metal rivet. El. 2110.603 ft.
- Q-32 1934; Ellis Co., 2.7 mi.SW.of Fargo; 45.0 ft.N.of C/L AT&SF RR track; 90.0 ft.N.of MP.#401; 5.0 ft.S.of R/W fence. Conc.post. Note 1. El. 2112.335 ft.
- 400 (AT&SF RR) Ellis Co., 1.7 mi.SW.of Fargo; 46.0 ft.S.of C/L AT&SF RR track; 4.0 ft.W.of MP.#400; 4.0 ft.N.of R/W post. Bolt set in top of conc.post. El. 2098.910 ft.
- RV 13 (AT&SF RR) Ellis Co., 0.6 mi.SW.of Fargo; 24.0 ft.S.of C/L AT&SF RR track at conc.arch bridge #398-C; in top of SE.cor.of headwall; 18" lower than track. Monel-metal rivet. El. 2098.263 ft.
- R-32 1934; Ellis Co., In Fargo; 175.0 ft.E.of AT&SF RR depot; 40.0 ft.W.of Main St. crossing; at SE.cor.of RR park. Conc.post. Note 1. El. 2099.363 ft.

For additional elevations in vicinity of Fargo, see traverse 10-C.

- 397-A (AT&SF RR) Ellis Co., about 0.3 mi.NE.of Fargo; 97.0 ft.S.of C/L AT&SF RR track; 100.0 ft.SE.of bridge #397-A; 85.0 ft.S.of whistle post. Bolt set in top of conc.post. El. 2095.905 ft.
- S-32 1934; Woodward Co., 1.2 mi.NE.of Fargo; 32.0 ft.S.of C/L of AT&SF RR track; 10.0 ft.N.of MP.#397. Conc.post. Note 1. El. 2114.540 ft.

396 (AT&SF RR) Woodward Co., 2.2 mi.NE.of Fargo; 47.0 ft.S.of C/L AT&SF RR track; 75.0 ft.SE.of MP.#396. bolt set in top of conc.post.

El. 2125.009 ft.

RV 14 (AT&SF RR) Woodward Co., 2.4 mi.NE.of Fargo; on AT&SF RR arch culvert #395-B; in top of SE.conc.headwall; 2.0 ft.lower than track. Monel-metal rivet.

El. 2126.229 ft.

T-32 1934; Woodward Co., 5.4 mi.NE.of Fargo; 95.0 ft.N.of C/L of AT&SF RR track; 6 poles W.of block signal 3941. Conc.post. Note 1.

El. 2131.712 ft.

394 (AT&SF RR) Woodward Co., 4.2 mi.NE.of Fargo; 92.0 ft.N.of C/L of AT&SF RR track; 250.0 ft.NW.of MP.#394; 8.0 ft.S.of R/W fence. bolt set in top of conc.post.

El. 2162.220 ft.

U-32 1934; Woodward Co., 4.9 mi.NE.of Fargo; 92.0 ft.N.of C/L AT&SF RR track; 742.0 ft.W.of MP.#393; 8.0 ft.S.of R/W fence. Conc.post. Note 1.

El. 2160.967 ft.

For additional elevations in vicinity of Tangier, see traverse 10-C.

V-32 1934; Woodward Co., 5.7 mi.NE.of Fargo; 12.0 ft.N.of C/L of AT&SF RR track; in S.face of N.abutment of overhead bridge #392-A; 3.0 ft.higher than track. Note 1

El. 2180.101 ft.

RV 15 (AT&SF RR) Woodward Co., 6.9 mi.NE.of Fargo; 10.0 ft.N.of C/L AT&SF RR track; overhead crossing #391-A; in top of SE.cor.of NE.conc. pier. Monel-metal rivet.

El. 2146.967 ft.

391 (AT&SF RR) Woodward Co., 7.3 mi.NE.of Fargo; 69.0 ft.S.of C/L AT&SF RR track; 6.0 ft.N.of R/W fence; 126.0 ft.NE.of MP.#391; 115.0 ft. SE.of E.end of bridge #390-D; bolt set in top of conc.post.

El. 2138.126 ft.

W- 32 1934; Woodward Co., 7.8 mi.NE.of Fargo; 6.0 ft.W.of C/L AT&SF RR track; overhead crossing 390-C; in top of SE.cor.NW.conc.pier.

El. 2120.819 ft.

RV 16 (AT&SF RR) Woodward Co., 7.4 mi.SW.of Woodward; 10.0 ft.S.of C/L AT&SF RR track; in top of SW.cor.W.abutment of conc.bridge #390-A; Monel-metal rivet.

El. 2106.935 ft.

RV 17 (AT&SF RR) Woodward Co., 6.6 mi.SW.of Woodward; AT&SF RR culvert #389-B; in top of SE.cor.of conc.headwall; 6.0 ft.lower than track. Monel-metal rivet.

El. 2077.253 ft.

X-32 1934; Woodward Co., 6.2 mi.SW.of Woodward; 44.0 ft.E.of C/L AT&SF RR track; 18.0 ft.S.of MP.#389; 6.0 ft.W.of R/W fence. Conc.post. Note 1.

El. 2074.989 ft.

388 (AT&SF RR) Woodward Co., about 5.2 mi.SW.of Woodward; 80.0 ft. W.of C/L AT&SF RR track; 60.0 ft.N.of MP.#388; 138.0 ft.NW.of block signal # 3881. Bolt set in top of conc.post.

El. 2046.259 ft.

RV 18 (AT&SF RR) Woodward Co., 5.0 mi.SW.of Woodward; 18.0 ft.W.of C/L AT&SF RR track; top of SW.cor.conc.arch culvert #387-B; Monel-metal rivet.

El. 2035.711 ft.

Y-32 1934; Woodward Co., 4.1 mi.SW.of Woodward; 30.0 ft.S.of AT&SF RR track; 70.0 ft.E.of 3rd pole E.of MP.#387; at overhead crossing #386-C; in top of NE.cor.of SE.conc.pier. Note 1.

El. 2017.227 ft.

386 (AT&SF RR) Woodward Co., 3.2 mi.SW.of Woodward; 82.0 ft.S.of C/L AT&SF RR track; 18.0 ft.N.of R/W fence; 0.2 mi.E.of depot sign board at Gerlach. 8.0 ft.E.of 2nd pole W.of MP.#386; bolt set in top of conc. post.

El. 2002.998 ft.

RV 19 (AT&SF RR) Woodward Co., 2.9 mi.SW.of Woodward; 18.0 ft.S.of AT&SF RR track; 150.0 ft.SW.of block signal 3851; culvert #385-B; in top of SE.cor.conc.headwall. Monel-metal rivet.

El. 1989.865 ft.

Z-32 1934; Woodward Co., 2.2 mi.SW.of Woodward; 90.0 ft.S.of C/L AT&SF RR track; in line with row of poles; 39.0 ft.W.of MP.#385; Conc. post. Note 1.

El. 1968.621 ft.

3842 (AT&SF RR) Woodward Co., 1.4 mi.SW.of Woodward; 54.0 ft.S.of C/L AT&SF RR track; 76.0 ft.SE.of block signal 3842; 42.0 ft.S.of emergency rail stand. Bolt set in top of conc.post.

El. 1943.651 ft.

A-33 1934; Woodward Co., 0.4 mi. SW. of Woodward; 55.0 ft. S. of C/L AT&SF RR track; 0.1 mi. S. of crossing MK&T RR; 12.0 ft. E. of 7th pole W. of MP.#383; 65.0 ft. E. of C/L of 15th St. Conc. post. Note 1.
El. 1913.087 ft.

For additional bench marks in vicinity of Woodward, see Traverse 9-D; 10-C; 10-D; 10-E & lines # 7, # 16 & # 28.

United States Coast & Geodetic Survey
Second-Order Leveling; Beaver, Harper & Woods Co's.
Line # 9; Turpin to Waynoka, Oklahoma

S-10 1934 & R-10 1934. See USC&GS Line # 18-A.

ZZ-107 1934; Beaver Co., 0.3 mi. E. of Turpin; at hwy. crossing; 60.0 ft. E. of C/L US. Hwys. #83 & #64; 50.0 ft. S. of near rail of BM&E (MK&T) RR track; 3.0 ft. E. of sec. cor. Conc. post. Note 1. El. 2738.479 ft.

TT-107 1934; Beaver Co., 3.3 mi. E. of Turpin; 55.0 ft. S. of near rail of MK&T RR track; 90.0 ft. S. of telegraph pole; 45.0 ft. W. of sec. line road; 1.5 ft. N. of fence line. Conc. post. Note 1.
El. 2720.244 ft.

Z-107 1934; Beaver Co., 5.3 mi. E. of Turpin; 48.0 ft. S. of near rail of BM&E (MK&T) RR track; 40.0 ft. E. of sec. line road; 80.0 ft. S. of 16th post W. of MP.#21. Conc. post. Note 1. El. 2689.096 ft.

Y-107 1934; Beaver Co., 7.3 mi. E. of Turpin; 48.0 ft. S. of near rail of BM&E (MK&T) RR track; 85.0 ft. SW. of 12th post W. of MP.#19; 40.0 ft. E. of sec. line road. Conc. post. Note 1. El. 2682.235 ft.

X-107 1934; Beaver Co., 9.5 mi. E. of Turpin; 60.0 ft. S. of BM&E (MK&T) main RR track; in NW. cor. N. wall of Light Grain & Milling Co. elevator. Disk set in conc. foundation. Note 1. El. 2672.439 ft.

W-107 1934; Beaver Co., 8.8 mi. W. of Forgan; 45.0 ft. S. of near rail of BME (MK&T) RR track; 120.0 ft. SW. of 14th post W. of MP.#15; 30.0 ft. E. of C/L of road; in SW. cor. of sec. line & RR line. Conc. post. Note 1.
El. 2631.793 ft.

V-107 1934; Beaver Co., 6.8 mi. W. of Forgan; 45.0 ft. S. of track of BME (MK&T) RR; 35.0 ft. W. of sec. line road; 90.0 ft. SE. of 13th post W. of MP.#13. Conc. post. Note 1. El. 2594.700 ft.

U-107 1934; Beaver Co., 4.7 mi. W. of Forgan; 45.0 ft. N. of near rail BME (MK&T) RR track; 80.0 ft. E. of 11th pole E. of MP.#11; 45.0 ft. E. of C/L sec. line road. Conc. post. Note 1. El. 2599.765 ft.

T-107 1934; Beaver Co., 2.7 mi. W. of Forgan; 45.0 ft. S. of BME (MK&T) RR track; 80.0 ft. S. of 11th pole W. of MP.#9; 35.0 ft. W. of sec. line road. Conc. post. Note 1. El. 2634.945 ft.

S-107 1934; Beaver Co., At Forgan; 300.0 ft. SW. of MK&T RR depot; 30.0 ft. W. of near rail main track; 5.0 ft. NE. of 10th pole NE. of MP.#305. Conc. post. Note 1. El. 2565.018 ft.

R-107 1934; Beaver Co., 0.8 mi. E. of Forgan; 42.0 ft. SE. of near rail MK&T RR; 0.1 mi. E. of MP.#303; in R/W fence line. Conc. post. Note 1.
El. 2546.051 ft.

Q-107 1934; Beaver Co., 2.9 mi. E. of Forgan; 40.0 ft. N. of near rail MK&T RR; 30.0 ft. W. of 8th pole E. of MP.#301; 62.0 ft. W. of C/L sec. line road. Conc. post. Note 1. El. 2513.899 ft.

P-107 1934; Beaver Co., 4.4 mi. E. of Forgan; 45.0 ft. N. of near rail MK&T RR; 0.6 mi. NE. of MP.#300; at old road crossing. Conc. post. Note 1.
El. 2568.630 ft.

N-107 1934; Beaver Co., 7.4 mi. E. of Forgan; 54.0 ft. SW. of near rail MK&T RR; 0.5 mi. NW. of MP.#296; 25.0 ft. E. of C/L sec. line road; on outside of R/W fence. Conc. post. Note 1. El. 2674.315 ft.

M-107 1934; Beaver Co., 9.1 mi. E. of Forgan; 42.0 ft. S. of near rail MK&T RR; 0.2 mi. E. of MP.#295; 105.0 ft. N. of C/L US. Hwy. #64; Conc. post. Note 1. El. 2646.816 ft.

- L-107 1934; Beaver Co., 11.1 mi.E.of Forgan; 50.0 ft.S.of near rail MK&T RR; 0.3 mi.E.of MP.#293; 231.0 ft.SW.of sec.foreman's house at Mocane. Conc.post. Note 1. El. 2643.095 ft.
- K-107 1934; Beaver Co., 12.6 mi.E.of Forgan; 65.0 ft.S.of near rail MK&T RR; 0.2 mi.W.of MP.#291; on R/W fence line. Conc.post. Note 1. El. 2600.904 ft.
- J-107 1934; Beaver Co., 15.1 mi.E.of Forgan; 102.0 ft.SW.of MK&T RR; 0.1 mi.S.of MP.#289; 225.0 ft.S.of C/L US.Hwy.#64, crossing track; Conc.post. Note 1. El. 2571.333 ft.
- H-107 1934; Beaver Co., 15.9 mi.NW.of Gate; 50.0 ft.N.of near rail MK&T RR; 45.0 ft.NW.of 6th pole E.of MP.#287; 45.0 ft.E.of C/L sec.line road. Conc.post. Note 1. El. 2587.508 ft.
- G-107 1934; Beaver Co., 13.9 mi.NW.of Gate; 50.0 ft.N.of near rail MK&T RR; 28.0 ft.E.of C/L sec.line road; 18.0 ft.NW.of 5th pole E.of MP.#285. Conc.post. Note 1. El. 2578.394 ft.
- F-107 1934; Beaver Co., 12.1 mi.NW.of Gate; 1.0 mi.W.of Knowles; 45.0 ft.N.of near rail MK&T RR; 15.0 ft.NW.of 1st pole W.of MP.#283; Conc.post. Note 1. El. 2564.303 ft.
- E-107 1934; Beaver Co., 10.3 mi.NW.of Gate; 33.0 ft.E.of MK&T RR; 90.0 ft.W.of US.Hwy.#64; 11 poles N.of MP.#281. Conc.post. Note 1. El. 2532.036 ft.
- D-107 1934; Beaver Co., 8.1 mi.NW.of Gate; 30.0 ft.NE.of near rail MK&T RR; 54.0 ft.SE.of 4th pole NW.of MP.#279; 0.15 mi.SE.of sec.line road. Conc.post. Note 1. El. 2497.462 ft.
- C-107 1934; Beaver Co., 5.7 mi.NW.of Gate; 25.0 ft.W.of near rail MK&T RR; 0.25 mi.S.of MP.#277; 65.0 ft.S.of C/L sec.line road. Conc.post. Note 1. El. 2435.868 ft.
- B-107 1934; Beaver Co., 4.2 mi.NW.of Gate; 40.0 ft.SE. of near rail MK&T RR; 0.2 mi.SW.of MP.#275; 50.0 ft.W.of C/L sec.line road. Conc.post. Note 1. El. 2380.687 ft.
- A-107 1934; Beaver Co., 1.9 mi.W.of Gate; 108.0 ft.W.of intersection US.Hwy.#64 & MK&T RR; 35.0 ft.NW.of just near rail of track; 24.0 ft.NE.of MP.#273; on cor.of headwall & wingwall of hwy.culvert. Note 1. El. 2297.436 ft.
- Z-106 1934; Beaver Co., At Gate; 285.0 ft.N.of MK&T RR depot; 90.0 ft.W.of near rail main track where hwy.crosses track; 165.0 ft.NW.of MP.#271; on E.end of S.headwall of conc.culvert on US.Hwy.#64; Note 1. El. 2230.435 ft.
- Y-106 1934; Beaver Co., 1.8 mi.SE.of Gate; 33.0 ft.N.of near rail MK&T RR; 8.0 ft.S.of R/W fence; 30.0 ft.W.of 7th pole W.of MP.#269. Conc.post. Note 1. El. 2165.717 ft.
- X-106 1934; Harper Co., 3.8 mi.NW.of Rosston; 40.0 ft.N.of near rail MK&T RR; 75.0 ft.SW.of C/L US.Hwy.#64; 12.0 ft.W.of 8th pole NW.of MP.#267; 10.0 ft.inside of fence line. Conc.post. Note 1. El. 2156.426 ft.
- W-106 1934; Harper Co., 1.9 mi.NW.of Rosston; 42.0 ft.SW.of near rail MK&T RR; 21.0 ft.E.of C/L sec.line road crossing track; 0.28 mi.NW.of MP.#265. Conc.post. Note 1. El. 2164.054 ft.
- V-106 1934; Harper Co., At Rosston; 115.0 ft.N.of MK&T RR depot; 65.0 ft.S.of road crossing track; 24.0 ft.E.of near rail main track. Conc.post. Note 1. El. 2139.904 ft.
- D-108 1934; Harper Co., 0.6 mi.E.of Rosston; 0.1 mi.NE.of Rosston Public School; 60.0 ft.N.of C/L US.Hwy.#64 & 283; 60.0 ft.E.of C/L sec.line road. Conc.post. Note 1. El. 2130.212 ft.
- C-108 1934; Harper Co., 2.7 mi.E.of Rosston; 300.0 ft.W.of jct.US.Hwy.#64 & #283; 67.0 ft.NW.of C/L US.Hwy.#283; 48.0 ft.S.of C/L US.Hwy.#64; Conc.post. Note 1. El. 2146.383 ft.
- 11-C-21 & 11-C-22 TT 1934. See Traverse 11-C.
- B-108 1934; Harper Co., 6.8 mi.E.of Rosston; 48.0 ft.N.of C/L sec.line road; 18.0 ft.E.of power line post; 1.0 ft.S.of fence line. Conc.post. Note 1. El. 2152.857 ft.
- 11-C-23 TT 1934; See Traverse 11-C.

B.M. 1934; Harper Co., 7.7 mi.W.of Buffalo; chiseled square on NW. end of a conc. bridge over Buffalo Creek on US.Hwy.#64.

El. 1933.310 ft.

11-C-24, 25, & 26, TT 1934; See Traverse 11-C.

A-108 1934; Harper Co., 4.0 mi.W.of Buffalo; on NW.wingwall of a conc. bridge over Dry Buffalo Creek on US.Hwy.#64. Note 1.

El. 1848.717 ft.

11-C-27 TT 1934; & 11-C-29 TT 1934; See Traverse 11-C.

M-108 1934; Harper Co., 0.5 mi.W.of Buffalo; 400.0 ft.S.of jct.of US.Hwy's. #64 & OK.Hwy.#34, where US.Hwy.#64 leaves OK.Hwy.#34 & Buffalo Main St., 15.0 ft.W.of C/L OK.Hwy.#34; in SW.wingwall of conc.hwy. bridge. Note 1.

El. 1801.279 ft.

11-C-30 TB 1934; See Traverse 11-C.

N-108 1934; Harper Co., At Buffalo; 180.0 ft.E.of AT&SF RR depot; 35.0 ft.N.of near rail main track; 360.0 ft.W.of MP.#52. Conc.post. Note 1.

El. 1791.387 ft.

P-108 1934; Harper Co., 2.5 mi.E.of Buffalo; 50.0 ft.N.of near rail AT&SF RR; 35.0 ft.E.of C/L sec.line road; inside fence; on N.side of RR R/W fence; 0.15 mi.E.of MP.# 50. Conc.post. Note 1. El. 1780.407 ft.

Q-108 1934; Harper Co., 4.5 mi.E.of Buffalo; 42.0 ft.NE.of near rail AT&SF RR; 36.0 ft.N.of C/L sec.line road; 0.1 mi.SE.of MP.#48. Conc.post. Note 1.

El. 1756.342 ft.

R-108 1934; Harper Co., 2.5 mi.NW.of Selman; 210.0 ft.NW.of AT&SF RR bridge #46-A; 40.0 ft. S.of C/L sec.line road; 33.0 ft.NE.of near rail of track; 0.2 mi.NW.of MP.#46. Conc.post. Note 1.

El. 1740.984 ft.

S-108 1934; Harper Co., At Selman; 165.0 ft.NE.of AT&SF RR depot; 0.2 mi.E.of MP.#44; 75.0 ft.W.of road crossing; 45.0 ft.N.of near rail main track. Conc.post. Note 1.

El. 1731.762 ft.

T-108 1934; Harper Co., 2.0 mi.SE.of Selman; 42.0 ft.S.of near rail AT&SF RR; 400.0 ft.W.of bridge # 41-A; 10.0 ft.W.of & inside fence cor., 0.2 mi.SE.of MP.#42. Conc.post. Note 1.

El. 1669.685 ft.

U-108 1934; Harper Co., 4.5 mi.SE.of Selman; 60.0 ft.E.of AT&SF RR bridge # 39-C; 24.0 ft.N.of near rail track; 24.0 ft.SE.of gate in farm yard fence line; 18.0 ft.S.of fence cor., 0.25 mi.W.of MP.#39. Conc. post. Note 1.

El. 1650.656 ft.

V-108 1934; Harper Co., 6.1 mi.SE.of Selman; 0.7 mi.NW.of Lovedale; 45.0 ft.N.of near rail AT&SF RR; 0.25 mi.E.of MP.#38; Conc.post. Note 1.

El. 1648.350 ft.

W-108 1934; Harper Co., 7.6 mi.SE.of Selman; 40.0 ft.S.of near rail AT&SF RR; 0.2 mi.W.of MP.#36. Conc.post. Note 1.

El. 1622.149 ft.

X-108-1934; Harper Co., 10.6 mi.SE.of Selman; 1.0 mi.W.of Salt Springs; 75.0 ft.SE.of AT&SF RR bridge #33-A; 45.0 ft.S.of near rail of track; 0.2 mi.SW.of MP.# 33. Conc.post. Note 1.

El. 1596.575 ft.

Y-108 1934; Harper Co., 11.8 mi.SE.of Selman; 0.3 mi.E.of Salt Springs; 66.0 ft.S.of near rail AT&SF RR; 120.0 ft.SW.of MP.#32. Conc. post. Note 1.

El. 1591.542 ft.

Z-108 1934; Woods Co., 9.2 mi.NW.of Freedom; 3.2 mi.NW.of Edith; 0.4 mi.SW.of Blackmon Salt Co., 35.0 ft.NE.of near rail AT&SF RR; 100.0 ft.E.of 5th post S.of MP.#29; 4.0 ft.SW.of RR R/W fence. Conc.post. Note 1.

El. 1582.795 ft.

A-109 1934; Woods Co., 8.0 mi.NW.of Freedom; 2.0 mi.NW.of Edith; 55.0 ft.W.of near rail AT&SF RR; 3.0 ft.NE.of MP.#28; 3.0 ft.E.of fence line. Conc.post. Note 1.

El. 1585.968 ft.

B-109 1934; Woods Co., 6.1 mi.NW.of Freedom; at Edith; 100.0 ft.NE. of cor.AT&SF RR depot; 25.0 ft.N.of near rail of track; 60.0 ft.SE.of 4th post W.of MP.#26. Conc.post. Note 1.

El. 1573.137 ft.

C-109 1934; Woods Co., 4.1 mi.NW.of Freedom; 25.0 ft.N.of near rail AT&SF RR; 3rd post W.of MP.#24; 1575.0 ft.E.of road crossing; 30.0 ft.S.of fence line. Conc.post. Note 1.

El. 1542.215 ft.

D-109 1934; Woods Co., 1.8 mi.NW.of Freedom; 48.0 ft.NW.of near rail AT&SF RR; outside R/W fence; 0.15 mi.E.of MP.#22. Conc.post. Note 1.

El. 1542.038 ft.

- E-109 1934; Woods Co., At Freedom; 195.0 ft.W.of AT&SF RR depot; 30.0 ft.N.of near rail of track at MP.#20. Conc.post. Note 1. El. 1521.582 ft.
- F-109 1934; Woods Co., 1.5 mi.SE.of Freedom; 500.0 ft.E.of AT&SF RR bridge #18-A; 0.5 mi.SE.of MP.#19; 60.0 ft.S.of road parallel to track; 50.0 ft.NE.of near rail; 30.0 ft.NW.of gate on road crossing track to farm yard. Conc.post. Note 1. El. 1519.472 ft.
- G-109 1934; Woods Co., 4.8 mi.SE.of Freedom; 48.0 ft.SW.of near rail of AT&SF RR; 0.3 mi.NW.of MP.#15; 0.1 mi.SE.of point where track cuts through sand dunes. Conc.post. Note 1. El. 1542.376 ft.
- H-109-1934; Woods Co., 5.7 mi.SE.of Freedom; 480.0 ft.E.of AT&SF RR depot at Fair Valley; 56.0 ft.E.of road crossing track; 48.0 ft.N.of near rail main track. Conc.post. Note 1. El. 1572.868 ft.
- J-109 1934; Woods Co., 7.5 mi.SE.of Freedom; 36.0 ft.SW.of near rail AT&SF RR; 0.4 mi.SE.of MP.#13; 40.0 ft.S.of C/L sec.line road. Conc.post. Note 1. El. 1592.175 ft.
- K-109 1934; Woods Co., 9.5 mi.SE.of Freedom; 42.0 ft.NE.of near rail AT&SF RR; 0.5 mi.SE.of MP.#11; 75.0 ft.E.of Brace siding sta.sign; 50.0 ft.S.of point where sec.line road turns into farm yard. Conc.post. Note 1. El. 1563.363 ft.
- L-109 1934; Woods Co., 9.0 mi.NW.of Waynoka; 45.0 ft.SW.of near rail AT&SF RR; 300.0 ft.S.of MP.#9; 15.0 ft.SE.of gate crossing track. Conc.post. Note 1. El. 1656.765 ft.
- M-109 1934; Woods Co., 6.8 mi.NW.of Waynoka; 0.2 mi.NW.of AT&SF RR bridge #6-C; 0.3 mi.SE.of MP.#7; 42.0 ft.SW.of near rail of track; 32.0 ft.S.of C/L sec.line road. Conc.post. Note 1. El. 1617.644 ft.
- N-109 1934; Woods Co., 4.4 mi.NW.of Waynoka; 40.0 ft.SW.of near rail AT&SF RR; 0.3 mi.NW.of MP.#4; 0.2 mi.SE.of McKinley siding sta. sign; 60.0 ft.N.of C/L sec.line road. Conc.post. Note 1. El. 1574.488 ft.
- P-109 1934; Woods Co., 2.1 mi.NW.of Waynoka; 45.0 ft.W.of C/L OK Hwy.#14; 36.0 ft.NE.of near rail AT&SF RR; 150.0 ft.NW.of MP.#2. Conc.post. Note 1. El. 1495.013 ft.
- Q-109 1934; Woods Co., At Waynoka; 0.15 mi.NW.of AT&SF RR depot; 45.0 ft.NW.of near rail main track; 95.0 ft.E.of NE.cor.of Elm Park. Conc.post. Note 1. El. 1474.653 ft.
- Avard South Base; Woods Co., 4.6 mi.NE.of Waynoka; 90.0 ft.S.of Air Port siding sta.sign post; 30.0 ft.SE.of near rail main track AT&SF RR; 18.0 ft.NW.of R/W fence; Triangulation station std.disk set in conc. post, stamped "Avard South Base 1934". El. 1544.757 ft.
- Avard South Base No. 1; Woods Co., 4.5 mi.NE.of Waynoka; 40.0 ft. SE.of near rail AT&SF RR at Air Port Sta., 36.0 ft.NE.of 2nd pole SW.of Air Port siding sta. sign; on E.R/W fence. Tri.Sta.reference disk set in conc.post stamped "Avard South Base No. 1 1934". El. 1545.502 ft.
- Avard South Base No. 2; Woods Co., 4.5 mi.NE.of Waynoka; 40.0 ft. NW.of near rail main track AT&SF RR; 36.0 ft.SW.of first tel.pole SW. of Air Port siding sta.sign., 30.0 ft.SE.of curve of road to granary; Standard triangulation station reference disk set in conc. post stamped "Avard South Base No. 2 1934". El. 1543.189 ft.

United States Coast & Geodetic Survey
 Second-Order Leveling; Woods Co.
 Line # 9-A; Freedom, Oklahoma to Larned, Kansas
 Oklahoma Section

- S-109 1934; Woods Co., 0.5 mi.N.of Freedom RR sta., N.City limits; 15.0 ft.E.of C/L OK.Hwy.#50; std.disk set in S.end of E.headwall of conc. bridge over creek. Note 1. El. 1542.750 ft.
- T-109 1934; Woods Co., 2.6 mi.NW.of Freedom RR sta., 0.2 mi.S.of jet.US.Hwy.#64 & OK.Hwy.#50; on N.end of E.headwall of conc. bridge over creek Note 1. El. 1587.208 ft.

U-109 1934; Woods Co., 4.7 mi.NW.of Freedom; 50.0 ft.N.of C/L US. Hwy.#64 & OK.Hwy.#50; 2.0 ft.S.of fence line; 450.0 ft.W.of knoll. Conc. post. Note 1. El. 1716.847 ft.

V-109 1934; Woods Co., 7.0 mi.NW.of Freedom; Std.disk set in NE. wingwall of conc.bridge on US.Hwy.#64 & OK.Hwy.#50, over Moccasin Creek. El. 1649.281 ft.

W-109 1934; Woods Co., 9.2 mi.NW.of Freedom; 55.0 ft.N.of C/L US. Hwy.#64 & OK.Hwy.#50; 1.0 ft.S.of fence line; 120.0 ft.W.of service sta. Conc.post. Note 1. El. 1681.585 ft.

Snap Azimuth 1934; Woods Co., 12.6 mi.NW.of Freedom; 0.5 mi.N.of jct.US.Hwy.#64 & OK.Hwy.#50; 30.0 ft.W.of OK.Hwy.#50. Mark is std.tri. reference disk set in conc.post. El. 1836.679 ft.

Snap No. 1 1934; Woods Co., 13.2 mi.NW.of Freedom; 1.0 mi.N.of jct. US.Hwy.#64 & OK.Hwy.#50; 30.0 ft.E.of C/L OK.Hwy.#50; 75.0 ft.SW.of tri. sta. Snap; top of hill. Mark is std.tri.reference disk in conc.post. El. 1897.345 ft.

X-109 1934; Woods Co., 14.4 mi.NW.of Freedom; 2.1 mi.N.of jct.US. Hwy.64 & OK.Hwy.50; 35.0 ft.W.of C/L OK.Hwy.#50; 2.0 ft.E.of fence line; top of knoll. Conc.post. Note 1. El. 1864.488 ft.

Y-109 1934; Woods Co., 16.5 mi.NW.of Freedom; 0.2 mi.N.of inter- section OK.Hwy.#50 with sec.line road; 80.0 ft.N.of sec.cor., 45.0 ft. W.of C/L OK.Hwy.#50; 1.0 ft.E.of fence line. Conc.post. Note 1. El. 1755.872 ft.

Z-109 1934; Woods Co., 18.6 mi.NW.of Freedom; 35.0 ft.E.of C/L OK. Hwy.#50; 3.0 ft.W.of fence line; 125.0 ft.NW.of schoolhouse. Conc.post. Note 1. El. 1882.391 ft.

A-110 1934; Woods Co., 20.8 mi.NW.of Freedom; 15.0 ft.E.of C/L OK. Hwy.#50; 0.2 mi.N.of sec.line road; Std.disk set in N.end of 10.0 ft. headwall of conc.culvert at bottom of hill. Note 1. El. 1945.603 ft.

B-110 1934; Woods Co., 22.2 mi.SE.of Coldwater, Kansas; 30.0 ft.W. of C/L OK.Hwy.#50; inside R/W fence; 183.0 ft.N.of dip at bottom of hill. Conc.post. Note 1. El. 2054.038 ft.

C-110 1934; Woods Co., 21.0 mi.SE.of Coldwater, Kansas; 35.0 ft.S. of C/L OK.Hwy.#50; W.end of tangent where Hwy.curves, entering Kansas. Conc.post. Note 1. El. 2036.246 ft.

United States Coast & Geodetic Survey---Second-Order Leveling
Custer, Dewey, Blaine, Major, & Alfalfa Co's.
Line # 14; Arapaho, Oklahoma to Anthony, Kansas

9-D-651; See Traverse 9-D.

J-113 1935; Custer Co., At Arapaho; 185.0 ft.NE.of SL&SF RR depot; 65.0 ft.E.of C/L near rail of main track; AT&SF RR; 60.0 ft.SE.of MP. #675-18; 40.0 ft.N.of C/L sec.line road. Conc.post. Note 1. El. 1540.532 ft.

For additional elevations in vicinity of Arapaho, see Traverse 9-D & 21-F.

H-113 1935; Custer Co., 1.8 mi.NE.of Arapaho C.H., 35.0 ft.E.of near rail of SL&SF & AT&SF RR track; 30.0 ft.N.of MP.#674-14; 45.0 ft.S. of C/L sec.line road. Conc.post. Note 1. El. 1556.614 ft.

G-113 1935; Custer Co., 4.1 mi.NE.of Arapaho C.H., 30.0 ft.SE.of near rail of SL&SF & AT&SF RR track; 24.0 ft.E.of C/L of crossing track; 18.0 ft.SW.of MP.#672-4. Conc.post. Note 1. El. 1628.406 ft.

F-113 1935; Custer Co., 1.9 mi.SW.of SL&SF Sta. at Custer; 45.0 ft. SE.of near rail of AT&SF & SL&SF RR track; 40.0 ft.W.of C/L sec.line road; 12.0 ft.SE.of SL&SF MP.#670-7; Conc.post. Note 1. El. 1704.445 ft.

E-113 1935; Custer Co., At Custer; 0.3 mi.NE.of SL&SF RR sta., 87.0 ft.N.of SL&SF MP.#668; 45.0 ft.E.of C/L sec.line road; 42.0 ft.NW. of near rail of track. Conc.post. Note 1. El. 1769.124 ft.

For additional elevations in vicinity of Custer, see Traverse 15D.

D-113 1935; Custer Co., 3.1 mi.NE.of Custer; 0.25 mi.NE.of jct. AT&SF & SL&SF RR track; 350.0 ft.SW.of AT&SF bridge #385-A; 52.0 ft.SE. of near rail of AT&SF RR track. Conc.post. Note 1. El. 1702.565 ft.

C-113 1935; Custer Co., 5.1 mi.NE.of Custer; 33.0 ft.S.of near rail of AT&SF RR track; 0.12 mi.W.of sec.line road crossing Ry., 350.0 ft.SW.of MP.#383. Conc.post. Note 1. El. 1714.399 ft.

B-113 1935; Custer Co., 3.8 mi.SW.of Thomas; 45.0 ft.SE.of near rail of AT&SF RR; 42.0 ft.S.of sec.line road; 0.23 mi.SW.of MP.#381. Conc.post. Note 1. El. 1742.477 ft.

A-113 1935; Custer Co., 0.2 mi.S.of AT&SF Ry. Sta. at Thomas; 55.0 ft.S.of 3rd pole S.of MP.#379; 45.0 ft.W.of near rail of track; 36.0 ft.S.of C/L of road crossing track. Conc. post. Note 1.

El. 1726.909 ft.

Magnetic Station; Custer Co., At Thomas; 135.0 ft.N.of C/L OK.Hwy. #33; 130.0 ft.SE.of cor.Community bldg., 126.0 ft.W.of St.on E.side of park; 10.0 ft.SW.of sidewalk. Limestone post. Std. magnetic sta. disk.

El. 1742.674 ft.

Thomas 1934; Custer Co., At Thomas; 195.0 ft.S.of High School; 10.0 ft.S.of fountain in center of small park. Conc.post. Note 1.

El. 1793.842 ft.

For additional elevations in vicinity of Thomas, see Traverse 15D.

Z-112 1935; Custer Co., 1.9 mi.N.of Thomas; 42.0 ft.E.of near rail AT&SF RR; 0.33 mi.S.of MP.#377; 45.0 ft.S.of C/L sec.line road. Conc. post. Note 1. El. 1768.566 ft.

Y-112 1935; Custer Co., 2.0 mi.N.of Thomas; 20.0 ft.SE.of near rail of AT&SF RR; 0.27 mi.SW.of MP.#375; 105.0 ft.E.of N-S sec.line road; 38.0 ft.NW.of road which cuts sec.cor., 33.0 ft.S.of C/L of E-W sec.line road. Conc.post. Note 1. El. 1734.344 ft.

X-112 1935; Dewey Co., 6.8 mi.N.of Thomas; 15.0 ft.NE.of near rail AT&SF RR; 0.3 mi.NW.of MP.#373; 50.0 ft.SE.of cut of S.bank of Canadian River; 30.0 ft.SE.of road crossing track. Conc.post. Note 1.

El. 1599.807 ft.

W-112 1935; Dewey Co., 6.4 mi.S.of Oakwood; 150.0 ft.N.of AT&SF RR W.T. at Nobscot; 42.0 ft.N.of C/L sec.line road; 30.0 ft.W.of R/W fence line; 18.0 ft.E.of near rail of main track. Conc.post. Note 1.

El. 1579.075 ft.

V-112 1935; Dewey Co., 4.3 mi.S.of Oakwood; 50.0 ft.SE.of near rail of AT&SF RR; 93.0 ft.S.of 6th pole SW.of MP.#369; inside R/W fence line. Conc.post. Note 1. El. 1658.996 ft.

U-112 1935; Dewey Co., 2.3 mi.S.of Oakwood; 25.0 ft.E.of near rail AT&SF RR; 105.0 ft.S.of 7th pole SW.of MP.#367; 42.0 ft.W.of C/L N-S sec.line road. Conc.post. Note 1. El. 1740.666 ft.

T112 1935; Dewey Co., At Oakwood; 145.0 ft.NW.of AT&SF RR sta., 42.0 ft.W.of near rail of main track; 60.0 ft.S.of C/L Main St., Conc. post. Note 1. El. 1837.234 ft.

S-112 1935; Dewey Co., 2.0 mi.NE.of Oakwood; 50.0 ft.SE.of near rail of AT&SF RR; 100.0 ft.SE.of 1st post E.of MP.#363; 40.0 ft.W.of C/L sec.line road. Conc.post. Note 1. El. 1921.331 ft.

R-112 1935; Dewey Co., 4.3 mi.NE.of Oakwood; 0.5 mi.SW.of Leonel siding sta., 55.0 ft.W.of near rail AT&SF RR; 45.0 ft.N.of C/L sec.line road; 28.0 ft.SW.of 12th pole SW.of MP.#360. Conc.post. Note 1.

El. 1852.247 ft.

Q-112 1935; Blaine Co., 4.1 mi.SW.of Canton; 50.0 ft.SE.of near rail of AT&SF RR; 105.0 ft.SE.of MP.#358; 3.0 ft.NW.of fence line. Conc. post. Note 1. El. 1722.752 ft.

P-112 1935; Blaine Co., 2.3 mi.SW.of Canton; 30.0 ft.N.of near rail AT&SF RR; 0.2 mi.W.of MP.#356; 30.0 ft.W.of C/L sec.line road; 3.0 ft.E.of fence line. Conc.post. Note 1. El. 1649.337 ft.

N-112 1935; Blaine Co., At Canton; In E.cor.main base of AT&SF RR W.T., 300.0 ft.NE.of RR sta., 20.0 ft.NW.of near rail of main track; Conc.foundation. Note 1. El. 1590.597 ft.

For additional elevations in vicinity of Canton, see Traverse 14-C & 7-E.

M-112 1935; Blaine Co., 1.7 mi.NE.of Canton; 55.0 ft.W.of near rail AT&SF RR; 90.0 ft.NE.of C/L sec.line road; 6.0 ft.W.of 8th pole SW.of MP.#352; Conc.post. Note 1. El. 1579.925 ft.

L-112-1935; Blaine Co., 2.5 mi.S.of Longdale; 35.0 ft.W.of near rail of AT&SF RR; 30.0 ft.N.of C/L sec.line road; 18.0 ft.E.of MP.#350; 1.0 ft.N.of fence line. Conc.post. Note 1. El. 1622.034 ft.

For additional elevations in vicinity of Longdale, see Traverse 7-E; & USC&GS # 15.

K-112 1935; Blaine Co., At Longdale; 250.0 ft.N.of AT&SF RR sta., 30.0 ft.W.of near rail of main track; Conc.post. Note 1. El. 1655.253 ft.

J-112 1935; Blaine Co., 0.6 mi.NE.of Longdale; 50.0 ft.NW.of near rail AT&SF RR; 45.0 ft.E.of C/L sec.line road; 15.0 ft.W.of 3rd pole NE.of MP.#347; Conc.post. Note 1. El. 1662.808 ft.

H-112 1935; Major Co., 2.7 mi.NE.of Longdale; 12.0 ft.N.of near rail AT&SF RR; at bottom of slope of small RR cut; 35.0 ft.E.of C/L of sec.line road. Conc.post. Note 1. El. 1591.079 ft.

G-112 1935; Major Co., 4.8 mi.SW.of Fairview; 30.0 ft.W.of near rail of AT&SF RR; 130.0 ft.SE.of 6th pole E.of MP.#343; 25.0 ft.W.of C/L sec.line road. Conc.post. Note 1. El. 1476.687 ft.

F-112 1935; Major Co., 4.4 mi.S.of Fairview; 60.0 ft.W.of near rail of AT&SF RR; 100.0 ft.N.of grain elevator; in NW.cor.sec., 25.0 ft.N.of sec.line road. Conc.post. Note 1. El. 1361.739 ft.

For additional elevations in vicinity of Voorhees, see Traverse 7-E.

E-112 1935; Major Co., 2.4 mi.S.of Fairview; 45.0 ft.E.of near rail of AT&SF RR; 0.3 mi.N.of MP.#339; 35.0 ft.S.of C/L sec.line road. Conc.post. Note 1. El. 1327.192 ft.

D-112 1935; Major Co., At Fairview; in W.side of conc.base of City W.T., 252.0 ft.E.of AT&SF RR; 50.0 ft.SW.of fairview Water & Light bldg. Conc.post. Note 1. El. 1302.842 ft.

For additional elevations in vicinity of Fairview, see Traverse 7-D, 8-D, & 10-D.

C-112 1935; Major Co., 2.7 mi.N.of Fairview; 110.0 ft.SW.of AT&SF RR bridge #333-7; 48.0 ft.W.of near rail of track; 45.0 ft.S.of C/L sec. line road. Conc.post. Note 1. El. 1267.114 ft.

For additional elevations in vicinity of Orienta, see Traverse 8-D & 10-D.

B-112 1935; Major Co., At Orienta; 63.0 ft.S.of AT&SF RR sta., 25.0 ft.E.of near rail of main track. Conc.post. Note 1. El. 1245.447 ft.

A-112 1935; Major Co., 1.0 mi.NE.of Orienta; 0.1 mi.S.of AT&SF RR bridge #328-6; 0.3 mi.N.of MP.#329; 40.0 ft.W.of near rail of track. Conc.post. Note 1. El. 1231.152 ft.

Z-111 1935; Major Co., 3.2 mi.NE.of Orienta; 95.0 ft.SW.of AT&SF RR sta. at Cleo; 0.4 mi.N.of MP.#327; 40.0 ft.N.of sec.line road; 30.0 ft.W.of near rail of main track. Conc.post. Note 1. El. 1245.788 ft.

Y-111 1935; Major Co., 4.6 mi.NE.of Orienta; 35.0 ft.E.of near rail AT&SF RR; 0.2 mi.S.of MP.#325; 30.0 ft.W.of RR R/W fence; 13.0 ft.SW.of iron gate in fence. Conc.post. Note 1. El. 1283.600 ft.

X-111 1935; Major Co., 4.3 mi.S.of Aline; 36.0 ft.W.of C/L AT&SF RR; 0.65 mi.SW.of MP.#323; 48.0 ft.S.of C/L sec.line road. Conc.post. Note 1. El. 1274.039 ft.

W-111 1935; Alfalfa Co., 2.2 mi.S.of Aline; 45.0 ft.E.of near rail AT&SF RR; 0.4 mi.N.of MP.#322; 35.0 ft.S.of C/L sec.line road. Conc.post. Note 1. El. 1267.409 ft.

V-111 1935; Alfalfa Co., At Aline; 109.0 ft.SW.of AT&SF RR sta., 35.0 ft.W.of near rail of main track; at 11th pole S.of MP.#319. Conc.post. Note 1. El. 1290.398 ft.

For additional elevations in vicinity of Aline, see Traverse 8-D.

U-111 1935; Alfalfa Co., 0.9 mi.N.of Aline; 33.0 ft.E.of near rail AT&SF RR; 0.5 mi.S.of MP.#318; 25.0 ft.S.of C/L old sec.line road. Conc.post. Note 1. El. 1299.135 ft.

T-111 1935; Alfalfa Co., 2.0 mi.S.of Carmen; 0.25 mi.S.of AT&SF RR bridge #316-3; 36.0 ft.E.of near rail of track; 28.0 ft.N.of old sec.line road. Conc.post. Note 1. El. 1305.007 ft.

Rivet # 1; Alfalfa Co., At Carmen, set in SE.cor.conc.base to AT&SF RR W.T., Monel rivet in conc.foundation. El. 1340.562 ft.

S-111 1935; Alfalfa Co., At Carmen; 95.0 ft.N.of AT&SF RR sta., 54.0 ft.S.of C/L Main St. & OK.Hwy.#8; 33.0 ft.W.of near rail main track. Conc.post. Note 1. El. 1341.169 ft.

For additional elevations in vicinity of Carmen, see line # 7.

Magnetic Station; Alfalfa Co., At Carmen; 350.0 ft.N.of dam at S. end of lake; 145.0 ft.SW.of SW.cor.swimming pool; 158.0 ft.E.of C/L of road on W.side of City park; 69.0 ft.NE.of cook house; 35.0 ft.SE.of wooden foot bridge, at top of rock garden. Limestone post. El. 1329.814 ft.

R-111 1935; Alfalfa Co., 1.1 mi.NE.of Carmen; 30.0 ft.W.of near rail AT&SF RR; 0.4 mi.SW.of MP.#313; 0.5 mi.E.of Carmen Odd Fellow's Home; 36.0 ft.N.of C/L sec.line road. Conc.post. Note 1. El. 1371.579 ft.

Q-111 1935; Alfalfa Co., 3.1 mi.NE.of Carmen; 52.0 ft.NW.of near rail AT&SF RR; 0.45 mi.NE.of MP.#312; 33.0 ft.S.of C/L sec.line road. Conc.post. Note 1. El. 1382.835 ft.

P-111 1935; Alfalfa Co., 3.4 mi.SW.of Yewed; 52.0 ft.NW.of near rail AT&SF RR; 0.45 mi.NE.of MP.#310; 30.0 ft.N.of C/L sec.line road. Conc.post. Note 1. El. 1319.545 ft.

N-111 1935; Alfalfa Co., 2.2 mi.SW.of Yewed Sta., 45.0 ft.E.of near rail of AT&SF RR; 0.23 mi.S.of MP.#308; 0.1 mi.N.of sec.line road; 345.0 ft.SW.of white farmhouse. Conc.post. Note 1. El. 1294.915 ft.

M-111 1935; Alfalfa Co., At Yewed; 150.0 ft.N.of AT&SF RR depot; 270.0 ft.S.of MP.#306; 51.0 ft.W.of near rail of main track. Conc. post. Note 1. El. 1252.238 ft.

L-111 1935; Alfalfa Co., 2.0 mi.NE.of Yewed; 48.0 ft.NW.of near rail of AT&SF RR; 30.0 ft.S.of C/L sec.line road; 5.0 ft.NE.of 4th pole SW.of MP.#304. Conc.post. Note 1. El. 1208.921 ft.

K-111-1935; Alfalfa Co., 1.8 mi.S.of Cherokee; 48.0 ft.W.of AT&SF RR; 12.0 ft.S.of 7th pole NE.of MP.#302; 33.0 ft.N.of C/L sec.line road. Conc.post. Note 1. El. 1183.173 ft.

Rivet # 2; Alfalfa Co., 0.7 mi.S.of Cherokee; in NE.cor.of AT&SF RR conc.box culvert 6' x 3' x 34.5'; 0.7 mi.SW.of MP.#300; 60.0 ft.S.of C/L of hwy. Monel rivet in conc.culvert. El. 1182.252 ft.

J-111 1935; Alfalfa Co., At Cherokee; 0.3 mi.NW.of AT&SF RR depot; 0.1 mi.NE.of MP.#300; 210.0 ft.E.of Cherokee Water & Light Plant; 66.0 ft.S.of intersection of two AT&SF RR lines, on division from Kiowa. Conc.post. Note 1. El. 1181.362 ft.

For additional elevations in vicinity of Cherokee, see Traverse 8-C & USC&GS # 61.

H-111 1935; Alfalfa Co., 1.8 mi.NE.of Cherokee; 363.0 ft.NE. of intersection of AT&SF RR & sec.line road; 45.0 ft.NW.of near rail of track; 15.0 ft.W.of 4th pole SW.of MP.#298; Conc.post. Note 1.

El. 1167.714 ft.

G-111 1935; Alfalfa Co., 4.0 mi.NE.of Cherokee; 75.0 ft.NW.of near rail of AT&SF RR; 60.0 ft.SW.of MP.#296; 20.0 ft.W.of C/L sec.line road. Conc.post. Note 1.

El. 1167.855 ft.

F-111 1935; Alfalfa Co., 4.5 mi.SW.of Byron; 50.0 ft.E.of near rail of AT&SF RR; 125.0 ft.SE.of 2nd pole S.of MP.#294; 45.0 ft.S.of C/L sec.line road. Conc.post. Note 1.

El. 1170.614 ft.

E-111 1935; Alfalfa Co., 2.5 mi.SW.of Bryon; 40.0 ft.W.of near rail AT&SF RR; 40.0 ft.S.of C/L sec.line road; 3.0 ft.E.of 2nd pole SW.of MP.#293. Conc.post. Note 1.

El. 1183.147 ft.

D-111 1935; Alfalfa Co., At Bryon; 200.0 ft.NE.of AT&SF RR depot; 25.0 ft.NW.of near rail of track; in R/W between main track & side track. Conc.post. Note 1.

El. 1189.381 ft.

C-111 1935; Alfalfa Co., 1.4 mi.NE.of Byron; 75.0 ft.W.of near rail of AT&SF RR; 80.0 ft.NE.of 8th pole SW.of MP.#288; 40.0 ft.S.of C/L sec.line road. Conc.post. Note 1.

El. 1196.822 ft.

B-111 1935; Alfalfa Co., 3.5 mi.NE.of Byron; 102.0 ft.N.of near rail of AT&SF RR; 60.0 ft.NE.of 4th pole SW.of MP.#286; 30.0 ft.W. of C/L sec.line road. Conc.post. Note 1.

El. 1199.578 ft.

Rivet #3; Alfalfa Co., 4.4 mi.NE.of Byron; 7 poles SW.of MP.#285; in N.cor.of NW.pier of W.T.on AT&SF RR; Monel metal rivet set in W.T. pier.

El. 1200.667 ft.

A-111 1935; Alfalfa Co., 3.9 mi.SW.of Waldron; 70.0 ft.W.of near rail AT&SF RR; 102.0 ft.N.of 11th pole SW.of MP.#284; 25.0 ft.S.of C/L sec.line road. Conc.post. Note 1.

El. 1208.876 ft.

Z-110 1935; Alfalfa Co., 1.2 mi.SW.of Waldron; 54.0 ft.SE.of near rail of AT&SF RR; 108.0 ft.SE.of 9th pole NE.of MP.#283; 30.0 ft.W.of sec.line road. Conc.post. Note 1.

El. 1223.465 ft.

United States Coast & Geodetic Survey--Second Order Leveling
Dewey, Blaine, Major, & Garfield Co's.
Line # 15; Vici to Tulsa, Oklahoma

P-33 1934; Dewey Co., At Vici; 725.0 ft.N.of US.Hwy.#60 & MK&T RR crossing; 12.0 ft.NE.of 3rd telegraph pole S.of MP.#195; 48.0 ft.E.of C/L MK&T RR; 1.0 ft.W.of RR R/W fence line. Conc.post. Note 1.

El. 2253.358 ft.

For additional elevations in vicinity of Vici, see Traverse 9-D, 10-H, 10-J & USC&GS # 28.

X-33 1934; Dewey Co., 2.5 mi.E.of Vici; 42.0 ft.N.of C/L US.Hwy.#60; 48.0 ft.E.of N-S sec.line road; 2.0 ft.NE.of fence cor. Conc.post. Note 1.

El. 2143.870 ft.

Y-33 1934; Dewey Co., 4.3 mi.E.of Vici; 0.5 mi.W.of small yellow farmhouse on N.side of road; 42.0 ft.N.of C/L US.Hwy.#60; 345.0 ft.W. of N-S sec.line road; 2.0 ft.N.of hwy.R/W fence line. Conc.post. Note 1

El. 2095.665 ft.

Z-33 1934; Dewey Co., 6.3 mi.E.of Vici; 43.0 ft.N.of C/L US.Hwy.#60; 356.0 ft.NW.of Grothe Service Sta. & Store; 33.0 ft.E.of N-S sec. line road; 3.0 ft.NE.of fence cor. Conc.post. Note 1.

El. 1963.238 ft.

A-34 1934; Dewey Co., 8.3 mi.E.of Vici; 51.0 ft.S.of C/L US.Hwy.#60; 850.0 ft.NE.of large white farmhouse on S.side of hwy., 45.0 ft.W. of N-S sec.line road. Conc.post. Note 1.

El. 1871.141 ft.

- B-34 1934; Dewey Co., 10.3 mi.E.of Vici; 42.0 ft.N.of C/L US.Hwy.
#60; 120.0 ft.E.of N-S sec.line road; 3.0 ft.NE.of fence cor., 0.1 mi.
E.of small yellow farmhouse on N.side of hwy. Conc.post. Note 1.
El. 1861.240 ft.
- C-34 1934; Dewey Co., 8.7 mi.W.of Seiling; 42.0 ft.N.of C/L US.Hwy.
#60; 120.0 ft.E.of N-S sec.line road; 250.0 ft.NW.of large unpainted
farmhouse on N.side of hwy. Conc.post. Note 1. El. 1857.762 ft.
- D-34 1934; Dewey Co., 6.8 mi.W.of Seiling; 60.0 ft.N.of C/L US.Hwy.
#60; 30.0 ft.E.of N-S sec.line road; 0.2 mi.W.of large white farmhouse
on N.side of hwy. Conc.post. Note 1. El. 1840.059 ft.
- E-34 1934; Dewey Co., 4.8 mi.W.of Seiling; 69.0 ft.S.of C/L US.Hwy.
#60; 45.0 ft.E.of N-S sec.line road; 39.0 ft.N.of E.end of galvanized
pipe culvert under sec.line road. Conc.post. Note 1.
El. 1812.906 ft.
- F-34 1934; Dewey Co., 2.8 mi.W.of Seiling; 72.0 ft.S.of C/L US.Hwy.
#60; 33.0 ft.W.of N-S sec.line road; 1.0 ft.E.of hwy.R/W fence. Conc.
post. Note 1. El. 1784.544 ft.
- G-34 1934; Dewey Co., 0.8 mi.W.of Seiling; 42.0 ft.N.of C/L US.Hwy.
#60; 33.0 ft.E.of N-S sec.line road; 3.0 ft.NE.of fence cor., 425.0 ft.
SW.of large yellow farmhouse. Conc.post. Note 1. El. 1746.827 ft.
- H-34 1934; Dewey Co., At Seiling; 325.0 ft.E.of jct.US.Hwy.#60 &
OK.Hwy.#35; 270.0 ft.E.of Watt Oil Co. Service Sta. #2; 30.0 ft.NE.of
jct.hwy.sign board; 45.0 ft.N.of C/L OK.Hwy.#35; Conc.post. Note 1.
El. 1760.626 ft.
- For additional elevations in vicinity of Seiling, see Traverse
9-D, 14-C, & USC&GS # 30. N.B.: OK. Hwy. #35 since abandoned.
- J-34 1934; Dewey Co., 2.2 mi.E.of Seiling; 72.0 ft.S.of C/L OK.Hwy.
#35; 33.0 ft.E.of N-S sec.line road; 27.0 ft.S.of fence cor., 0.2 mi.W.
of large red barn on S.side of hwy., Conc.post. Note 1.
El. 1732.477 ft.
- K-34 1934; Dewey Co., 4.2 mi.E.of Seiling; 36.0 ft.N.of C/L OK.Hwy.
#35; 33.0 ft.E.of N-S sec.line road; 2.0 ft.NE.of fence cor., Conc.
post. Note 1. El. 1685.620 ft.
- L-34 1934; Dewey Co., 6.1 mi.E.of Seiling; 75.0 ft.S.of C/L OK.Hwy.
#35; 33.0 ft.E.of N-S sec.line road; 39.0 ft.S.of fence cor., 1.0 ft.W.
of hwy.R/W fence line. Conc.post. Note 1. El. 1666.690 ft.
- M-34 1934; Dewey Co., 8.0 mi.E.of Seiling; 48.0 ft.W.of C/L OK.Hwy.
#35; 36.0 ft.N.of E-W sec.line road; 1.0 ft.NW.of fence cor. Conc.post.
Note 1. El. 1747.500 ft.
- N-34 1934; Dewey Co., 9.5 mi.E.of Seiling; 60.0 ft.N.of C/L OK.Hwy.
#35; 150.0 ft.N.of Fonda's Garage; 27.0 ft.W.of N-S sec.line road. Conc.
post. Note 1. El. 1705.282 ft.
- P-34 1934; Dewey Co., 11.7 mi.E.of Seiling; 36.0 ft.S.of C/L OK.Hwy.
#35; 30.0 ft.E.of N-S sec.line road; about 1450.0 ft.SE.of large 2 story
white farmhouse. Conc.post. Note 1. El. 1720.623 ft.
- Q-34 1934; Dewey Co., 10.1 mi.W.of Longdale; 57.0 ft.S.of C/L OK.
Hwy.#35; 30.0 ft.E.of N-S sec.line road; 120.0 ft.SW.of tel.pole # E-40.
Conc.post. Note 1. El. 1685.111 ft.
- R-34 1934; Dewey Co., 8.2 mi.W.of Longdale; 60.0 ft.S.of C/L OK.
Hwy.#35; 30.0 ft.W.of N-S sec.line road; 0.2 mi.W.of J.Runner farmhouse.
Conc.post. Note 1. El. 1683.468 ft.
- S-34 1934; Blaine Co., 6.1 mi.W.of Longdale; 40.0 ft.S.of C/L OK.
Hwy.#35; 27.0 ft.E.of N-S sec.line road; 78.0 ft.S.of tel.pole # E-8;
0.2 mi.W.of large 2 story yellow farmhouse. Conc.post. Note 1.
El. 1697.657 ft.
- T-34 1934; Blaine Co., 4.0 mi.W.of Longdale; 54.0 ft.S.of C/L OK.
Hwy.#44; 400.0 ft.SE.of intersection OK.Hwy.#44 & Co.road; 2.0 ft.S.of
fence cor. Conc.post. Note 1. El. 1591.828 ft.
- U-34 1934; Blaine Co., 2.1 mi.W.of Longdale; 144.0 ft.NE.of C/L OK.
Hwy.#44; 30.0 ft.N.of E-W sec.line road; 0.2 mi.N.of large brown farmhouse

0.1 mi. SE. of small green farmhouse. Conc. post. Note 1.

El. 1619.810 ft.

V-34 1934; Blaine Co., At Longdale; 225.0 ft. E. of intersection of CRI&P RR & Main St., 45.0 ft. S. of C/L Main St., 557.0 ft. SE. of W.B. Johnson Grain Elevator Co. Conc. post. Note 1.

El. 1650.207 ft.

For additional elevations in vicinity of Longdale, see Traverse 7-E & USC&GS #14. N.B.: OK. Hwy. #44 now #58; Re-routed through Longdale.

W-34 1934; Blaine Co., 2.1 mi. E. of Longdale; 30.0 ft. N. of C/L OK. Hwy. #44; 120.0 ft. W. of conc. arch bridge under hwy., 0.2 mi. W. of small unpainted farmhouse. Conc. post. Note 1.

El. 1506.637 ft.

X-34 1934; Blaine Co., 4.1 mi. E. of Longdale; 42.0 ft. N. of C/L OK. Hwy. #44; 235.0 ft. W. of large red brick house. Conc. post. Note 1.

El. 1419.728 ft.

Y-34 1934; Blaine Co., 4.0 mi. W. of Homestead; 33.0 ft. N. of C/L graded Co. road; 30.0 ft. E. of N-S sec. line road; 950.0 ft. S. of small pink farmhouse. Conc. post. Note 1.

El. 1362.878 ft.

Z-34 1934; Blaine Co., 2.0 mi. W. of Homestead; 33.0 ft. N. of C/L graded Co. road; 0.2 mi. S. of large 2 story white farmhouse; 32.0 ft. E. of N-S sec. line road. Conc. post. Note 1.

El. 1297.760 ft.

A-35 1934; Blaine Co., At Homestead; 33.0 ft. NW. of pumping plant; 33.0 ft. SW. of water crane; 156.0 ft. NE. of Main St., Conc. post. Note 1.

El. 1240.732 ft.

B-35 1934; Blaine Co., 2.0 mi. E. of Homestead; 42.0 ft. S. of C/L graded Co. road; 45.0 ft. E. of N-S sec. line road; 0.2 mi. S. of large 2 story white farmhouse. Conc. post. Note 1.

El. 1261.868 ft.

C-35 1934; Blaine Co., 2.3 mi. W. of Okeene; 40.0 ft. N. of C/L graded Co. road; 33.0 ft. E. of N-S sec. line road; 0.3 mi. SW. of large white farm house. Conc. post. Note 1.

El. 1240.053 ft.

D-35 1934; Blaine Co., At Okeene; in top of N. bannister of W. entrance of Okeene Grade School bldg., 5.0 ft. N. of door; 57.0 ft. E. of C/L Main St., 3.0 ft. above side walk. Disk set in conc. bannister; Note 1.

El. 1221.339 ft.

E-35 1934; Blaine Co., at Okeene; 300.0 ft. NE. of SL&SF RR depot; 45.0 ft. E. of 5th telegraph pole SW. of MP. #618; 75.0 ft. E. of C/L of track; Conc. post. Note 1.

El. 1211.503 ft.

For additional elevations in vicinity of Okeene, see USC&GS #32.

F-35 1934; Blaine Co., 2.2 mi. NE. of Okeene; 41.0 ft. E. of C/L of SL&SF RR; 6.0 ft. E. of MP. #616; 9.0 ft. W. of RR R/W fence line. Conc. post. Note 1.

El. 1219.496 ft.

G-35 1934; Blaine Co., 4.1 mi. NE. of Okeene; 40.0 ft. E. of C/L of SL&SF RR; 198.0 ft. SW. of MP. #614; 10.0 ft. W. of RR R/W fence line. Conc. post. Note 1.

El. 1174.279 ft.

H-35 1934; Major Co., 6.1 mi. NE. of Okeene; 41.0 ft. E. of C/L SL&SF RR; 6.0 ft. SE. of MP. #612; 9.0 ft. W. of RR R/W fence line. Conc. post. Note 1.

El. 1137.347 ft.

J-35 1934; Major Co., 8.1 mi. NE. of Okeene; 54.0 ft. W. of C/L SL&SF RR; 192.0 ft. SE. of MP. #610; 3.0 ft. E. of RR R/W fence line. Conc. post. Note 1.

El. 1132.809 ft.

K-35 1934; Major Co., 10.1 mi. NE. of Okeene; 40.0 ft. SE. of C/L SL&SF RR; 4.0 ft. SE. of MP. #608; 10.0 ft. NW. of RR R/W fence line. Conc. post. Note 1.

El. 1172.616 ft.

L-35 1934; Major Co., 12.1 mi. NE. of Okeene; 45.0 ft. S. of C/L SL&SF RR; 100.0 ft. SW. of MP. #606; 10.0 ft. N. of RR R/W fence line. Conc. post. Note 1.

El. 1229.975 ft.

M-35 1934; Major Co., 14.1 mi. NE. of Okeene; 44.0 ft. S. of C/L SL&SF RR; 5.0 ft. S. of MP. #604; 6.0 ft. N. of RR R/W fence line. Conc. post. Note 1.

El. 1267.704 ft.

- N-35 1934; Major Co., 16.2 mi.NE.of Okeene; 45.0 ft.N.of C/L of SL&SF RR; 140.0 ft.NE.of MP.#602; 5.0 ft.S.of RR R/W fence line. Conc. post. Note 1. El. 1256.106 ft.
- P-35 1934; Garfield Co., 15.0 mi.SW.of Enid; 40.0 ft.S.of C/L SL&SF RR; 140.0 ft.W.of MP.#600; 10.0 ft.N.of RR R/W fence line. Conc.post. El. 1201.812 ft.
- Q-35 1934; Garfield Co., 12.9 mi.SW.of Enid; 42.0 ft.N.of C/L SL&SF RR; 90.0 ft.NW.of MP.#598; 12.0 ft.S.of RR R/W fence line. Conc.post. Note 1. El. 1200.155 ft.
- R-35 1934; Garfield Co., 10.9 mi.SW.of Enid; 43.0 ft.S.of C/L SL&SF RR; 240.0 ft.NE.of MP.#596; 7.0 ft.N.of RR R/W fence line. Conc.post. Note 1. El. 1216.464 ft.
- S-35 1934; Garfield Co., 8.9 mi.SW.of Enid; 38.0 ft.S.of C/L SL&SF RR; 3.0 ft.SE.of MP.#594; 12.0 ft.N.of RR R/W fence line. Conc.post. Note 1. El. 1179.046 ft.
- T-35 1934; Garfield Co., 6.9 mi.SW.of Enid; 33.0 ft.W.of SL&SF RR; 72.0 ft.NW.of MP.#592; 15.0 ft.E.of RR R/W fence line. Conc.post. Note 1. El. 1243.918 ft.
- U-35 1934; Garfield Co., 4.9 mi.SW.of Enid; 38.0 ft.S.of C/L SL&SF RR; 6.0 ft.E.of MP.#590; 12.0 ft.N.of RR R/W fence line. Conc.post. Note 1. El. 1271.152 ft.
- V-35 1934; Garfield Co., 2.9 mi.SW.of Enid; 38.0 ft.N.of C/L SL&SF RR; 88.0 ft.NE.of MP.#588; 12.0 ft.S.of RR R/W fence line. Conc.post. Note 1. El. 1264.696 ft.
- W-35 1934; Garfield Co., 0.9 mi.SW.of Enid; 99.0 ft.S.of C/L SL&SF RR; 4.0 ft.N.of MP.#586; 57.0 ft.S.of yard switch. Conc.post. Note 1. El. 1254.236 ft.
- Y-35 1934; Garfield Co., 1.2 mi.E.of Enid; 50.0 ft.S.of C/L SL&SF RR; 8.0 ft.E.of MP.#584; 51.0 ft.SE.of yard switch. Conc.post. Note 1. El. 1241.694 ft.
- E-46 1934; Garfield Co., 1.6 mi.N.of Enid P.O., 87.0 ft.S.of MP.#339; 42.0 ft.E.of C/L CRI&P RR. Conc.post. Note 1. El. 1249.942 ft.
- F-46 1934; Garfield Co., 3.6 mi.N.of Enid P.O., 78.0 ft.E.of MP.#337; 48.0 ft.E.of C/L of CRI&P RR; 2.0 ft.W.of R/W fence line. Conc. post. Note 1. El. 1259.719 ft.
- G-46 1934; Garfield Co., 5.0 mi.N.of Enid P.O., 3.0 mi.N.& 2.0 mi.E.of point where US.Hwy.#60, #64, & #81 turns N.at Champlin's Service Station near N.City limits of Enid; 350.0 ft.SW.of large 2 story white farmhouse; 36.0 ft.W.of N-S sec.line road; 2.0 ft.SW.of cor.post. Conc. post. Note 1. El. 1263.934 ft.
- Enid Tri.Sta., Garfield Co., 1934; About 2 mi.in N.& 2.5 mi.E.of N.Enid; in sec.22,T23N,R6W; on a prominent ridge, in fence line on S. side of road; about 76 m. from cor.sec's. 14, 15, 22, & 23. The bench mark is 5" N.of triangulation & is marked by head of a nail driven flush with bottom of square. El. 1263.413 ft.
- Z-35 1934; Garfield Co., At Enid; in S.conc.abutment of CRI&P RR overhead bridge & over W.Main St., 63.0 ft.S.of C/L of Main St., 3.0 ft.above sidewalk set vertically in bridge abutment. Note 1. El. 1222.711 ft.
- D-46 1934; Garfield Co., 2.6 mi.S.of Enid P.O., 295.0 ft.S.of MP.#343; 90.0 ft.W.of C/L CRI&P RR; 36.0 ft.NE.of private RR crossing gate; 10.0 ft.E.of RR R/W fence line. Conc.post. Note 1. El. 1246.786 ft.
- C-46 1934; Garfield Co., 4.5 mi.S.of Enid P.O., 5.0 ft.E.of MP.#345; 40.0 ft.W.of C/L of CRI&P RR; 12.0 ft.E.of RR R/W fence line. Conc. post. Note 1. El. 1267.947 ft.
- B-46 1934; Garfield Co., 6.5 mi.S.of Enid P.O., 235.0 ft.N.of MP.#347; 33.0 ft.W.of C/L of CRI&P RR; 24.0 ft.S.of E-W sec.line road. Conc.post. Note 1. El. 1232.458 ft.
- A-46 1934; Garfield Co., 8.5 mi.S.of Enid P.O., 214.0 ft.N.of MP.#349; 33.0 ft.S.of E-W Co.road; 46.0 ft.W.of C/L CRI&P RR; 4.0 ft.E.of

R/W fence line. Conc.post. Note 1. El. 1229.020 ft.
 Waukomis Tri. Sta., 1934; Garfield Co., 1.5 mi.NW.of Waukomis;
 0.75 mi.W.& 0.4 mi.S.of intersection of CRI&P RR & 1st E-W sec.line
 road N.of Waukomis. On property of H.H.Coizard; 36.0 ft.W.of C/L of N-S
 sec.line road. 700.0 ft.NE.of H.H.Coizard farmhouse. The bench mark is
 flat part of conc.near projecting point of spike used as a reference
 mark for Waukomis Tri. Sta. El. 1261.825 ft.

United States Coast & Geodetic Survey; Second-Order Leveling
 Woodward & Harper Co's., Line # 16
 Woodward, Oklahoma to Minneola, Kansas
 Oklahoma Section

For additional elevations in vicinity of Woodward, see USC&GS
 line # 7, 7-A, 28, & Traverse # 9-D, 10-C, 10-D, & 10-E.

T-105 1934; Woodward Co., 1.4 mi.NW.of Woodward; 22.0 ft.S.of
 near rail of MK&T RR; 66.0 ft.E.of road crossing track; 30.0 ft.N.of
 C/L road; 27.0 ft.W.& on opposite side of track from 2nd post W.of MP.
 #221. Conc.post. Note 1. El. 1903.320 ft.

Z-105 1934; Woodward Co., 3.4 mi.NW.of AT&SF RR depot at Woodward;
 39.0 ft.N.of near rail of MK&T RR; 3.0 ft.W.of MP.#223; 42.0 ft.E.of
 C/L sec.line road crossing track. Conc.post. Note 1.

El. 1918.940 ft.

A-106 1934; Woodward Co., 5.4 mi.NW.of Woodward; 126.0 ft.S.of near
 rail MK&T RR; 0.15 mi.W.of MP.#225; 18.0 ft.N.of C/L OK.Hwy.#35; on NE.
 wingwall of conc.hwy.bridge opposite RR bridge #225-2. Note 1.

El. 1938.877 ft.

B-106 1934; Woodward Co., 7.7 mi.NW.of Woodward; 39.0 ft.E.of near
 rail MK&T RR; 42.0 ft.NE.of road crossing track; 12.0 ft.N.of 7th pole
 N.of MP.#227. Conc.post. Note 1.

El. 2015.856 ft.

C-106 1934; Woodward Co., 5.2 mi.SE.of Supply; 45.0 ft.E.of near
 rail of MK&T RR; 65.0 ft.S.of 5th pole S.of MP.#230; at N.side of gate
 in E.property fence. Conc.post. Note 1.

El. 2066.909 ft.

D-106 1934; Woodward Co., 3.6 mi.S.of Supply; 45.0 ft.W.of near
 rail of MK&T RR; 0.3 mi.S.of MP.#232; 5.0 ft.N.of gate in W.R/W fence
 line. Conc.post. Note 1.

El. 2027.667 ft.

E-106 1934; Woodward Co., 0.8 mi.SE.of Supply; 40.0 ft.N.of near
 rail MK&T RR between 6th & 7th pole NW.of MP.#234; S.of Western Okla.
 State Mental Hospital. Conc.post. Note 1.

El. 1991.666 ft.

F-106 1934; Woodward Co., At Supply; 315.0 ft.E.of MK&T RR depot;
 75.0 ft.W.of MP.#235; 45.0 ft.N.of near rail of track. Conc.post. Note
 1.

El. 1994.268 ft.

For additional elevations in vicinity of Supply, see Traverse
 10-E, & 10-F.

G-106 1934; Woodward Co., 2.0 mi.NW.of Supply; 18.0 ft.N.of near
 rail of MK&T RR; 50.0 ft.SE.of sec.line road dividing Woodward & Ellis
 Co's., 25.0 ft.S.of 2nd post NW.of MP.#237. Conc.post. Note 1.

El. 1996.577 ft.

H-106 1934; Harper Co., 1.9 mi.SE.of Dunlap; 45.0 ft.S.of near
 rail of MK&T RR; 200.0 ft.NW.of sec.line road; 90.0 ft.S.of MP.#239.
 Conc.post. Note 1.

El. 2000.114 ft.

J-106 1934; Harper Co., At Dunlap; 35.0 ft.N.of near rail of MK&T
 RR; 30.0 ft.SE.of 5th post NW.of MP.#241; 30.0 ft.W.of sec.line road.
 Conc.post. Note 1.

El. 2025.678 ft.

For additional elevations in vicinity of Dunlap, see Traverse
 10-E.

K-106 1934; Harper Co., 2.2 mi.E.of May; 65.0 ft.S.of near rail of MK&T RR; 115.0 ft.SW.of 15th post W.of MP.#243; Conc.post. Note 1.

El. 2055.600 ft.

L-106 1934; Harper Co., At May, 0.3 mi.E.of MK&T RR depot; 35.0 ft. N.of track over RR bridge #245-3; 5.0 ft.W.of 10th post W.of MP.#245. Conc.post. Note 1.

El. 2038.680 ft.

For additional elevations in vicinity of May, see Traverse 10-E.

M-106 1934; Harper Co., 1.9 mi.NW.of May; 60.0 ft.S.of MK&T RR bridge #247-6; 45.0 ft.SE.of near rail of track; 35.0 ft.NW.of C/L sec. line road. Conc.post. Note 1.

El. 2061.669 ft.

N-106 1934; Harper Co., 3.1 mi.NW.of May; 45.0 ft.SW.of near rail MK&T RR; 90.0 ft.NW.of C/L sec.line road at intersection with track; 80.0 ft.SW.of 8th post NW.of MP.#249. Conc.post. Note 1.

El. 2075.435 ft.

P-106 1934; Harper Co., 4.1 mi.SE.of Laverne; 50.0 ft.E.of near rail of MK&T RR; 30.0 ft.N.of C/L sec.line road; 15.0 ft.E.of 11th pole SE.of MP.#252. Conc.post. Note 1.

El. 2116.259 ft.

Q-106 1934; Harper Co., 1.7 mi.SE.of Laverne; 30.0 ft.NE.of near rail of MK&T RR; 25.0 ft.W.of C/L sec.line road; 4.0 poles NW.of MP.#254. Conc.post. Note 1.

El. 2098.004 ft.

R-106 1934; Harper Co., 150.0 ft.SE.of MK&T RR depot at Laverne; 45.0 ft.E.of near rail of main track; 36.0 ft.S.of C/L Main St., 7 poles SE.of MP.#256. Conc.post. Note 1.

El. 2104.937 ft.

For additional elevations in vicinity of Laverne, see Traverse 11-C.

S-106 1934; Harper Co., 2.1 mi.NW.of Laverne; 45.0 ft.W.of near rail of MK&T RR; 0.1 mi.S.of MP.#258; 30.0 ft.N.of C/L sec.line road; E.of gate at fence cor. Conc.post. Note 1.

El. 2106.259 ft.

T-106 1934; Harper Co., 3.2 mi.SE.of Rosston; 40.0 ft.E.of near rail of MK&T RR; 0.25 mi.N.of MP.#260; 12.0 ft.N.of gate in R/W fence. Conc.post. Note 1.

El. 2118.503 ft.

U-106 1934; Harper Co., 0.8 mi.SE.of Rosston; 40.0 ft.NE.of near rail MK&T RR; 0.5 mi.SE.of MP.#263; 30.0 ft.W.of C/L road crossing track. Conc.post. Note 1.

El. 2126.928 ft.

For additional elevations in vicinity of Rosston see USC&GS line #9 & Traverse 11-C.

V-106 1934; Harper Co., 115.0 ft.N.of MK&T RR depot at Rosston; 65.0 ft.S.of road crossing track; 24.0 ft.E.of near rail main track. Conc.post. Note 1.

El. 2139.904 ft.

E-108 1934; Harper Co., 1.5 mi.NW.of Rosston; 48.0 ft.N.of C/L US. Hwy.#283 & #64; at E.end of hwy.curve to N. Conc.post. Note 1.

El. 2157.371 ft.

F-108 1934; Harper Co., 3.5 mi.NW.of Rosston; 40.0 ft.N.of C/L US. Hwys.#283 & #64; 185.0 ft.W.of sec.line road; at W.end of hwy.curve to S. Conc.post. Note 1.

El. 2208.965 ft.

G-108 1934; Harper Co., 5.5 mi.NW.of Rosston; 45.0 ft.W.of C/L US. Hwy.#283; 42.0 ft.S.of C/L sec.line road; 375.0 ft.S.of yellow farmhouse. Conc.post. Note 1.

El. 2182.479 ft.

H-108 1934; Harper Co., 7.5 mi.NW.of Rosston; 38.0 ft.W.of C/L US. Hwy.#283; 36.0 ft.S.of C/L sec.line road; 0.1 mi.NW.of yellow stucco farmhouse. Conc.post. Note 1.

El. 2182.755 ft.

J-108 1934; Harper Co., 8.3 mi.S.of Englewood, Kansas; 54.0 ft.W.of C/L US.Hwy.#283; at N.end of hwy.curve; 0.1 mi.N.of E-W sec.line road. Conc.post. Note 1.

El. 2197.049 ft.

K-108 1934; Harper Co., 6.1 mi.S.of Englewood, Kansas, 90.0 ft.S.of C/L curve on US.Hwy.#283; 27.0 ft.S.of C/L sec.line road; at W.sec.line cor. Conc.post. Note 1.

El. 2032.004 ft.

L-108 1934; Harper Co., 4.1 mi.S.of Englewood, Kansas; 105.0 ft. E.of C/L US.Hwy.#283; 99.0 ft.W.of C/L old hwy., 0.1 mi.S.of bridge across Cimarron River. Conc.post. Note 1. El. 1982.867 ft.

United States Coast & Geodetic Survey; First Order Leveling
Texas Co., Line # 18
Dalhart, Texas to Liberal, Kansas
Oklahoma Section

A-14 1935; Texas Co., At Texhoma; at 4th & Elm Sts., std.disk set vertically in brick wall E.of E.entrance at S.side of high school; 4.0 ft.above ground. Note 1. El. 3488.786 ft.

B-14 1933; Texas Co., At Texhoma; 51.0 ft.NW.of C/L CRI&P RR; 18½ poles SW.of MP.#494; in top of E.conc.block foundation of city W.T. Note 1. El. 3486.886 ft.

For additional elevations in vicinity of Texhoma, see line # 68.

C-14 1933; Texas Co., 0.8 mi.NE.of Texhoma; about 163.0 yds.SE.of C/L CRI&P RR; 23 poles SW.of MP.#493; disk set in top of NE.end of NW.headwall of 12" box culvert under hwy. Note 1. El. 3477.250 ft.

D-14 1933; Texas Co., 2.6 mi.NE.of Texhoma; 135.0 ft.SE.of C/L CRI&P RR; 30.0 poles SW.of MP.#491; 3 poles NE.of road crossing. std. disk set in NE.end of NW.conc.headwall of box culvert under hwy. El. 3452.818 ft.

E-14 1933; Texas Co., 4.6 mi.NE.of Texhoma; at SE.side of SW.end of CRI&P RR steel bridge #4898; 27 poles SW.of MP.#489; in top of conc.abutment. Note 1. El. 3372.280 ft.

RV 2 (CRI&P RR) Texas Co., 4.6 mi.NE.of Texhoma; std.monel metal rivet set in top of N.end of E.conc.abutment of CRI&P RR bridge #4898. El. 3371.020 ft.

F-14 1933; Texas Co., 5.2 mi.NE.of Texhoma; 25.0 ft.SE.of C/L of CRI&P RR; 2½ poles SW.of MP.#489; disk set in top of SW.end of SE.head wall of conc.box culvert. Note 1. El. 3348.110 ft.

G-14 1933; Texas Co., 7.3 mi.NE.of Texhoma; 135.0 ft.SE.of C/L of CRI&P RR track; about 2 poles NE.of MP.#487; 2 poles NE.of road crossing; opposite wooden culvert #4869; at a box culvert under hwy., disk set in top of NE.end of NW.conc.headwall. Note 1. El. 3333.386 ft.

H-14 1933; Texas Co., 0.9 mi.SW.of Goodwell; 48.0 ft.SE.of C/L of CRI&P RR; 2 poles S.W.of MP.#485; 50.0 ft.SW.of a R/W fence cor.opposite pole; 2.0 ft.NW.of R/W fence. Conc.post. Note 1. El. 3299.629 ft.

J-14 1933; Texas Co., At Goodwell; at Panhandle Agriculture & Mechanical College; at S.side of S.entrance of Hughes-Strong Hall, in front brick wall; about 4.0 ft.higher than St., disk set vertically. Note 1. El. 3306.404 ft.

K-14 1933; Texas Co., At Goodwell; at front entrance to M.E.Church S., disk set in top of second conc.step from bottom. Note 1. El. 3298.917 ft.

L-14 1933; Texas Co., At Goodwell; 2½ poles SW.of CRI&P RR depot; 7½ poles SW.of MP.#484; 54.0 ft.SE.of C/L of track; disk set in top of N.cor.of conc.foundation of RR oil pump. Note 1. El. 3292.677 ft.

M-14 1933; Texas Co., 1.6 mi.NE.of Goodwell; 145.0 ft.SE.of C/L of CRI&P RR; about 18 poles SW.of MP.#482. disk set in top of SW.end of NW.headwall of 36' conc.hwy.bridge. Note 1. El. 3256.030 ft.

N-14 1933; Texas Co., 3.7 mi.NE.of Goodwell; 150.0 ft.SE.of C/L CRI&P RR; 16½ poles SW.of MP.#480; at a 20' conc.culvert under hwy., disk set in top of NE.end of NW.headwall. Note 1. El. 3230.289 ft.

P-14 1933; Texas Co., 5.6 mi.SW.of Guymon; 45.0 ft.SE.of C/L of CRI&P RR main track; 8 poles SW.of MP.#479; opposite station sign; 2.0 ft.NW.of R/W fence. Conc.post. Note 1. El. 3211.119 ft.

Q-14 1933; Texas Co., 4.6 mi.SW.of Guymon; 90.0 ft.SE.of C/L of CRI&P RR; about 7 poles SW.of MP.#478; disk set in top of NE.end of NW.headwall of 8' conc.box culvert. Note 1. El. 3180.122 ft.

R-14 1933; Texas Co., 3.5 mi.SW.of Guymon; 54.0 ft.SE.of C/L CRI&P RR; 3 poles SW.of MP.#477; at a road crossing, 18.0 ft.NE.of C/L of side road. disk set in top of NW.end of NE.conc.headwall of 6' box culvert under road. Note 1. El. 3153.806 ft.

S-14 1933; Texas Co., 2.2 mi.SW.of Guymon; 90.0 ft.SE.of C/L CRI&P RR track; 27 poles SW.of MP.#475; 7 poles NE.of road crossing. disk set in top of NE.end of NW.headwall of 18" box culvert under hwy. Note 1. El. 3126.838 ft.

T-14 1933; Texas Co., At Guymon; disk set in sandstone column at SW.side of front entrance to high school, 4.0 ft.above ground. Note 1. El. 3130.036 ft.

U-14 1933; Texas Co., At Guymon; at SE.cor.of Main & 4th Sts., disk set in conc.block of brick wall at E.side of N.entrance of Co. C.H. 3.0 ft.above ground. Note 1. El. 3125.850 ft.

V-14 1933; Texas Co., At Guymon; about 240.0 ft.S.of C/L CRI&P RR disk set in top of N.conc.block foundation of City water tank at 4th & Sullivan Sts. Note 1. El. 3121.362 ft.

For additional Elevations in vicinity of Guymon, see USC&GS # 20, 67 & 69.

W-14 1933; Texas Co., 1.7 mi.NE.of Guymon; 105.0 ft.SE.of C/L of CRI&P RR; 33 poles SW.of MP.#471; at road crossing. disk set in top of SE.end of NE.headwall of conc.culvert. Note 1. El. 3080.916 ft.

X-14 1933; Texas Co., 3.1 mi.NE.of Guymon; 85.0 ft.SE.of C/L of CRI&P RR; 20.0 poles SW.of MP. #470; 3 poles NE.of road crossing. disk set in top of NE.end of NW.headwall of conc.box culvert under hwy. Note 1. El. 3021.667 ft.

Y-14 1933; Texas Co., 4.9 mi.NE.of Guymon; 28½ poles SW.of MP.#468. disk set in top of SW.end of SE.side of conc.headwall of bridge under CRI&P RR. Note 1. El. 2946.887 ft.

RV-3 (CRI&P RR) 1933; Texas Co., 5.7 mi.NE.of Guymon; std.monel metal rivet set in top of N.end of E.abutment of CRI&P RR bridge #4679. El. 2922.930 ft.

Z-14 1933; Texas Co., 2.2 mi.SW.of Optima; 4½ poles SW.of CRI&P RR MP.#467., at conc.overpass of side road running W.from US.Hwys.#54 & 64; about 0.7 mi.NE.of NE.end of conc.hwy.bridge over N.Canadian River. Note 1. El. 2932.511 ft.

A-15 1933; Texas Co., About 6 poles SW.of CRI&P RR depot at Optima; at MP.#465; 45.0 ft.NW.of C/L of track, at road crossing; 9.0 ft.NE.of pole. Conc.post. Note 1. El. 3021.415 ft.

B-15 1933; Texas Co., 1.8 mi.NE.of Optima; at bridge #4631 over Pony Creek; 2.0 poles SW.of MP.#463; 7.0 ft.SE.of C/L CRI&P track. disk set in top of SE.side of SW.conc.abutment of bridge. Note 1. El. 2971.362 ft.

RV-4 (CRI&P RR) Texas Co., 1.8 mi.NE.of Optima; Monel metal rivet set in top of N.end of E.conc.abutment of CRI&P RR bridge #4631. El. 2971.254 ft.

C-15 1933; Texas Co., 2.9 mi.NE.of Optima; 1 pole NE.of CRI&P RR MP.#462; 6 poles SW.of road crossing. disk set in top of SW.end of SE.headwall of 20.0 ft.conc.bridge. Note 1. El. 2980.286 ft.

D-15 1933; Texas Co., 4.9 mi.NE.of Optima; 90.0 ft.SE.of C/L of CRI&P RR MP.#460; about 6 poles NE.of road crossing. disk set in top of NE.end of NW.headwall of 6' conc.box culvert. Note 1. El. 3000.857 ft.

E-15 1933; Texas Co., 3.5 mi.SW.of Hooker; 48.0 ft.NW.of C/L CRI&P RR; 32.0 poles SW.of MP.#457; 30.0 ft.NE.of C/L crossroads; 3.0 ft.NW. of pole. Conc.post. Note 1. El. 3007.983 ft.

F-15 1933; Texas Co., 1.8 mi. SW. of Hooker; 80.0 ft. SE. of C/L of CRI&P RR; 5 poles SW. of MP.#456; 1 pole SW. of yard limit sign. disk set in top of NE. end of NW. headwall of conc. box culvert under hwy. Note 1. El. 2990.614 ft.

G-15 1933; Texas Co., At Hooker; disk set in top of S. conc. block foundation of City W.T., 20 $\frac{1}{2}$ poles SW. of MP.#454. Note 1. El. 2984.374 ft.

Hooker; Texas Co., At Hooker, at Main St. & Bdway; 10.0 ft. SE. of SW. side of front entrance to First Natl. Bank; between curb & sidewalk; Conc. post. Note 1. El. 2984.390 ft.

H-15 1933; Texas Co., At Hooker; at NW. end of Bdway; disk set vertically at S. cor. of high school in conc. block foundation of SW. wall, 3 $\frac{1}{2}$ ft. above ground. Note 1. El. 2994.892 ft.

J-15 1933; Texas Co., 2.2 mi. NE. of Hooker; 45.0 ft. NW. of C/L CRI&P RR; 5 poles SW. of MP.#452; 8.0 ft. SE. of fence cor., 2.0 ft. NW. of pole. Conc. post. Note 1. El. 2966.523 ft.

K-15 1933; Texas Co., 4.1 mi. NE. of Hooker; 90.0 ft. SE. of C/L CRI&P RR; 8 poles SW. of MP.#450. disk set in top of NE. end of NW. headwall of 6' conc. box culvert under hwy. Note 1. El. 2954.873 ft.

L-15 1933; Texas Co., 6.1 mi. NE. of Hooker; 45.0 ft. NW. of C/L CRI&P RR; 8 poles SW. of MP.#448; 60.0 ft. SW. of C/L road crossing track; 18.0 ft. W. of pole. Conc. post. Note 1. El. 2938.747 ft.

M-15 1933; Texas Co., 3.2 mi. SW. of Tyrone; 90.0 ft. SE. of C/L CRI&P RR; 6 poles SW. of MP.#447. disk set in top NE. end of NW. headwall of 2' conc. culvert under hwy. Note 1. El. 2928.751 ft.

N-15 1933; Texas Co., 1.5 mi. SW. of Tyrone; 90.0 ft. SE. of C/L CRI&P RR; 17 poles SW. of MP.#445. disk set in top of NE. end of NW. headwall of conc. box culvert under hwy. Note 1. El. 2920.624 ft.

Tyrone; 1933; Texas Co., At Tyrone; 5 poles SW. of CRI&P RR MP.#444; 120.0 ft. NW. of C/L main track. disk set in center of top of NE. side of conc. foundation to "War Memorial". Note 1. El. 2926.733 ft.

P-15 1933; Texas Co., At Tyrone; 310.0 ft. S. of C/L CRI&P main track opposite MP.#444. disk set in top of N. conc. block foundation of city W.T., Note 1. El. 2921.083 ft.

Q-15 1933; Texas Co., At Tyrone; 6th & Beatrice Sts., disk set in S. brick wall of grammar school bldg., 2.0 ft. from SE. cor. & 3.5 ft. above ground. Note 1. El. 2937.264 ft.

R-15 1933; Texas Co., 2.0 mi. NE. of Tyrone; 90.0 ft. SE. of C/L CRI&P RR; 1 pole SW. of MP.#442. disk set in top of NE. end of NW. headwall of conc. culvert under hwy. Note 1. El. 2912.763 ft.

S-15 1933; Texas Co., 3.7 mi. NE. of Tyrone; 90.0 ft. SE. of C/L CRI&P RR; 12.0 poles SW. of MP.#440; disk set in top of NE. end of NW. headwall of conc. box culvert under hwy. Note 1. El. 2901.615 ft.

U. S. Coast & Geodetic Survey - First-Order Leveling
Line # 18-A - Beaver Co.
Oakley, Kansas to Shamrock, Texas

L-10 1933; Beaver Co., 5.1 mi. S. of Liberal, Kansas; 2.0 mi. S. of Oklahoma-Kansas State Line; 42.0 ft. E. of C/L US. Hwy.#83; 3.0 ft. S. of fence cor., 1.0 ft. W. of R/W fence; 39.0 ft. S. of E-W Co. road; 195.0 ft. SE. of small white farmhouse; conc. post. Note 1. El. 2828.015 ft.

M-10 1933; Beaver Co., 7.1 mi. S. of Liberal Kansas; 4.0 mi. S. of Oklahoma-Kansas State Line; 39.0 ft. E. of C/L US. Hwy.#83; 40.0 ft. N. of E-W Co. road; 2.0 ft. S. of fence cor., Conc. post. Note 1. El. 2815.880 ft.

N-10 1933; Beaver Co., 9.1 mi. S. of Liberal Kansas; 6.0 mi. S. of Oklahoma-Kansas State line; 39.0 ft. E. of C/L US. Hwy.#83; 30.0 ft. S. of E-W Co. road; 0.2 mi. SE. of small white farmhouse W. of hwy; Conc. post. Note 1. El. 2799.909 ft.

P-10 1933; Beaver Co., 11.1 mi.S. of Liberal, Kansas; 45.0 ft.N. of C/L US.Hwy.#83; 60.0 ft.NW. of its jct. with N-S Co. road; 4.4 mi.N. of jct. US.Hwys.#64 & #83; 1.0 ft.E. of R/W fence; 2.0 ft.N. of a fence cor., Conc.post. Note 1. El. 2780.742 ft.

Q-10 1934; Beaver Co., 13.1 mi.S. of Liberal, Kansas; 62.0 ft.W. of C/L US.Hwy.#83; 79.0 ft.NW. of its jct. with E-W Co. road; 2.4 mi.N. of jct. US.Hwys.#64 & #83; 1.0 ft.E. of R/W fence; 6.0 ft.N. of fence cor., Conc.post. Note 1. El. 2759.509 ft.

For additional elevations in vicinity of Turpin, see USC&GS # 9.

R-10 1934; Beaver Co., 15.5 mi.S. of Liberal Kansas; 80.0 ft.N. of jct. US.Hwys.#64 & #83; 62.0 ft.N. of C/L US.Hwy.#64; 325.0 ft.NW. of large white farmhouse on S. side of hwy. Conc.post. Note 1. N.B.: R-10 to Y-10 follow old route of US.Hwy.#83. El. 2753.781 ft.

S-10 1934; Beaver Co., 2.0 mi.S. of jct. US.Hwys.#64 & #83 at Turpin; 70.0 ft.SE. of jct. US.Hwy.#83 with an E-W Co. road; 47.0 ft.E. of C/L of said hwy.#83; 1.0 ft.E. of R/W fence; 3.0 ft.SE. of fence cor., Conc.post. Note 1. El. 2696.205 ft.

T-10 1934; Beaver Co., 4.0 mi.S. of jct. US.Hwys.#83 & #64 at Turpin; 63.0 ft.W. of C/L of jct. US.Hwy.#83 & side road leading W., 45.0 ft.W. of C/L of hwy., conc.post. Note 1. El. 2728.243 ft.

U-10 1934; Beaver Co., 6.0 mi.S. of jct. US.Hwy.#64 & #83; at Turpin; 33.0 ft.E. of C/L of US.Hwy.#83; 1.0 ft.W. of sec. line fence cor., 0.3 mi.S. of small farmhouse on E. side of hwy., Conc.post. Note 1. El. 2723.981 ft.

V-10 1934; Beaver Co., 8.0 mi.S. of jct. US.Hwys.#64 & #83 at Turpin; 42.0 ft.W. of C/L US.Hwy.#83 & 60.0 ft.SW. of its jct. with side road leading W., 1.0 ft.E. of R/W fence., 12.0 ft.S. of sec. line fence cor., Conc.post. Note 1. El. 2647.731 ft.

W-10 1934; Beaver Co., 10.2 mi.S. of jct. US.Hwys.#64 & #83 at Turpin; 39.0 ft.W. of C/L of US.Hwy.#83; 3.0 ft.NW. of sec. line fence cor., 525.0 ft.N. of N. end of bridge over Beaver River. Conc.post. Note 1. El. 2561.632 ft.

X-10 1934; Beaver Co., 11.9 mi.S. of jct. US.Hwys.#64 & #83 at Turpin; 42.0 ft.S. of C/L of US.Hwy.#83; 3.0 ft.S. of sec. line fence cor., 1.0 ft.E. of N-S fence; 0.2 mi.W. of small farmhouse S. of hwy., Conc.post. Note 1. El. 2637.724 ft.

Y-10 1934; Beaver Co., 10.2 mi.N. of Gray; at a curve of US.Hwy.#83; about 150.0 ft.N. of C/L of hwy., 30.0 ft.W. of side road leading N., 15½ ft.NE. of sec. line fence cor., Conc.post. Note 1. El. 2743.259 ft.

Z-10 1934; Beaver Co., 8.2 mi.N. of Gray; 72.0 ft.NW. of jct. US.Hwy.#83 with side road leading W., 60.0 ft.W. of C/L of hwy., 0.3 mi.N. of small white farmhouse on W. side of hwy. Conc.post. Note 1. El. 2804.696ft.

A-11 1934; Beaver Co., 6.2 mi.N. of Gray; 56.0 ft.E. of C/L of US.Hwy.#83; 75.0 ft.NE. of jct. said hwy. with E-W Co. road; 122.0 ft.NE. of J.F. Duff farmhouse. Conc.post. Note 1. El. 2826.861 ft.

B-11 1934; Beaver Co., 4.2 mi.N. of Gray; 48.0 ft.W. of C/L US.Hwy.#83 & 75.0 ft.NW. of its jct. with an E-W Co. road; about 95.0 ft.W. of small white farmhouse E. of hwy. Conc.post. Note 1. El. 2878.301 ft.

C-11 1934; Beaver Co., 2.2 mi.N. of Gray; 52.0 ft.W. of C/L US.Hwy.#83; 8.0 ft.E. of R/W fence; 9.0 ft.NE. of fence cor., 155.0 ft.SW. of S. end of 18' concr. bridge over dry wash; Conc. post. Note 1. El. 2870.148 ft.

D-11 1934; Beaver Co., 0.1 mi.W. of P.O. at Gray; 100.0 ft.E. of NE. entrance to Community Church; 66.0 ft.S. of C/L US.Hwy.#83. Conc.post. Note 1. El. 2917.383 ft.

E-11 1934; Beaver Co., 1.8 mi.S. of Gray; 54.0 ft.W. of C/L US.Hwy.#83; 82.0 ft.SW. of its jct. with an E-W Co. road; 6.0 ft.W. of R/W fence. Conc.post. Note 1. El. 2922.159 ft.

F-11 1934; Beaver Co., 3.8 mi.S.of Gray; 54.0 ft.W.of C/L US.Hwy.
#83; 68.0 ft.SW.of its jct.with an E-W Co.road; 32.0 ft.W.of wooden
culvert. Conc.post. Note 1. El. 2939.289 ft.

G-11 1934; Beaver Co., 4.8 mi.S.of Gray; 45.0 ft.N.of C/L E-W
Co.road; 56.0 ft.W.of C/L US.Hwy.#83; 12.0 ft.NW.of sec.line fence cor.
2.0 ft.W.of R/W fence. Conc.post. Note 1. El. 2938.659 ft.

U. S. Coast & Geodetic Survey - Second-Order Leveling
Line #20; Texas Co., Stinnet, Texas to Guymon, Okla.
Oklahoma Section
(Unadjusted Elevations)

A-103 1934; Texas Co., At Hitchland; 445.0 ft.W.of Big Jo Lumber
Co.yard; 35.0 ft.N.of C/L Oklahoma-Texas State line road; 3.0 ft.E.of
fence cor. Conc.post. Note 1. El. 3080.243 ft.

B-103 1934; Texas Co., 2.8 mi.W.of Hitchland; 90.0 ft.E.of point
where Texas Hwy.#88 turns S.at sec.line correction cor., 30.0 ft.N.of
C/L Oklahoma-Texas State line road. Conc.post. Note 1.
El. 3113.406 ft.

C-103 1934; Texas Co., 4.9 mi.NW.of Hitchland; 40.0 ft.E.of C/L
of road from Hitchland to Guymon; 75.0 ft.N.of C/L sec.line road to E.,
30.0 ft.SE.of D.D.Delay mail box. Conc.post. Note 1.
El. 3101.165 ft.

D-103 1934; Texas Co., 6.9 mi.NW.of Hitchland; 78.0 ft.N.of C/L
of road from Hitchland to Guymon; 63.0 ft.W.of gate in fence, at out
side curve. Conc.post. Note 1. El. 2967.835 ft.

E-103 1934; Texas Co., 8.9 mi.NW.of Hitchland; 30.0 ft.NE.of C/L
of road from Hitchland to Guymon; at NW.end of & outside curve. 0.3 mi.
N.of point where road crosses Cold Water Creek. Conc.post. Note 1.
Along old road. New road 500 ft. E. El. 2894.404 ft.

F-103 1934; Texas Co., 9.7 mi.SE.of Guymon; 35.0 ft.W.of C/L of
road from Hitchland to Guymon; 33.0 ft.N.of C/L sec.line road; at SE.
fence cor. & E.of gate. Conc.post. Note 1. El. 3069.567 ft.

G-103 1934; Texas Co., 7.7 mi.SE.of Guyman; 39.0 ft.E.of C/L of
road from Hitchland to Guymon; 33.0 ft.N.of C/L sec.line road; 42.0 ft.
NW.of W.M.Ewalt's mail box. Conc.post. Note 1. El. 3063.777 ft.

H-103 1934; Texas Co., 5.7 mi.SE.of Guymon; 42.0 ft.E.of C/L of
road from Hitchland to Guymon; 29.0 ft.S.of C/L sec.line road. Conc.
post. Note 1. El. 3063.445 ft.

J-103 1934; Texas Co., 3.7 mi.SE.of Guymon; 45.0 ft.S.of C/L OK.
Hwy.#3; 65.0 ft.W.of H.G.Janson home. Std.disk set in N.end of E.
headwall of conc.culvert over hwy.grade ditch. Note 1.
El. 3065.256 ft.

K-103 1934; Texas Co., 1.7 mi.SE.of Guymon; 30.0 ft.W.of C/L sec.
line road; Std.disk set in E.end of S.headwall of conc.culvert on OK.
Hwy. #3. Note 1. El. 3105.607 ft.

For additional elevations in vicinity of Guymon, see USC&GS # 18,
67, & #69.

U. S. Coast & Geodetic Survey-Second Order Levels
Line #21-B, Kingfisher to Watonga, Oklahoma
Kingfisher & Blaine Counties

K-146 1935; Kingfisher Co., 0.6 mi.S.of Kingfisher; in V formed
by main line & branch of CRI&P RR; 300.0 ft.E.of MP.#379-5; Conc.post.
Note 1. El. 1054.204 ft.

J-146 1935; Kingfisher Co., At Kingfisher; 200.0 ft.W.of S.end of
CRI&P RR depot; Conc.post. Note 1. El. 1052.580 ft.

ZZ-114 1935; Kingfisher Co., At Kingfisher; In S.cor.SE.conc.base
of City W.T.across St.from Memorial Hall. set in conc.base. Note 1.
El. 1057.314 ft.

For additional elevations in vicinity of Kingfisher, see USC&GS # 21-A, # 34, # 39, & Traverse 15-A, & 15-C.

YY-114 1935; Kingfisher Co., 2.4 mi.W.of Kingfisher; 0.1 mi.SE.of white frame house; in E.wingwall on N.side of conc.& steel bridge over creek; set in conc.wingwall. Note 1. El. 1057.294 ft.

Z-114 1935; Kingfisher Co., 4.6 mi.W.of Kingfisher; 55.0 ft.E.of sec.line road; in upper-most part of E.slant wingwall of large conc.culvert; set in conc.culvert. Note 1. El. 1071.507 ft.

Y-114 1935; Kingfisher Co., 6.8 mi.W.of Kingfisher; 75.0 ft.S.of C/L OK.Hwy.#33; 50.0 ft.E.of C/L sec.line road; 400.0 ft.E.of white frame house. El. 1111.812 ft.

X-114 1935; Kingfisher Co., 8.6 mi.W.of Kingfisher; 75.0 ft.S.of C/L OK.Hwy.#33; 25.0 ft.W.of C/L sec.line road; just outside SW.sec.cor., Conc.post. Note 1. El. 1139.112 ft.

W-114 1935; Kingfisher Co., 11.2 mi.W.of Kingfisher; 18.0 ft.S.of C/L of OK.Hwy.#33; set in S.cor.of SW.wingwall of conc.bridge over creek. Note 1. El. 1127.376 ft.

V-114 1935; Kingfisher Co., 12.8 mi.W.of Kingfisher; 150.0 ft.E.of center of a triangle made by sec.line road & OK.Hwy.#33; 45.0 ft.S.of OK.Hwy.#33; 35.0 ft.E.of C/L of sec.line road. Conc.post. Note 1. El. 1139.574 ft.

U-114 1935; Kingfisher Co., 12.6 mi.E.of Watonga; 60.0 ft.N.of C/L OK.Hwy.#33; 165.0 ft.NW.of NW.cor.of Sneathville Service Station; 30.0 ft.W.of C/L sec.line road. Conc.post. Note 1. El. 1201.113 ft.

T-114-1935; Blaine Co., 10.6 mi.E.of Watonga; 30.0 ft.N.of C/L OK.Hwy.#33; 30.0 ft.E.of C/L sec.line road; outside fence line. Conc.post. Note 1. El. 1197.767 ft.

S-114 (Reset-1938) Blaine Co., 8.6 mi.E.of Watonga; 75.0 ft.S.of OK.Hwy.#33; 360.0 ft.W.of sec.line road; 100.0 ft.N.of drainage cut; on W.edge of land not utilized; Conc.post. Note 1. El. 1228.876 ft.

R-113 (Reset-1938) Blaine Co., 6.2 mi.E.of Watonga; 45.0 ft.S.of OK.Hwy.#33; 120.0 ft.N.of fence line; on top of a hill. Conc.post. Note 1. El. 1417.336 ft.

Q-114 (Reset-1938) Blaine Co., 4.2 mi.E.of Watonga; 40.0 ft.S.of C/L OK.Hwy.#33; 92.0 ft.W.of NW.cor.lot of small yellow frame house; Conc.post. Note 1. El. 1553.760 ft.

PP-114 (Reset-1938) Blaine Co., 2.1 mi.E.of Watonga; 30.0 ft.S.of C/L OK.Hwy.#33; 18.0 ft.W.of NW.cor.lot of small frame house. Conc.post. Note 1. El. 1541.713 ft.

LL-114 1935; Blaine Co., At Watonga; in NE.cor.of S.one of two E.bases of CRI&P RR W.T., 165.0 ft.N.of depot; 9.0 ft.W.of near rail of main track. El. 1515.417 ft.

For additional elevations in vicinity of Watonga, see Traverse # 14-C & # 15-C.

U. S. Coast & Geodetic Survey - First Order Leveling
Line #24 --- Cimarron County
Cheyenne Wells, Colo., Via Kit Carson, to Dalhart, Tex.,
Oklahoma Section.

A-23 1933; Cimarron Co., 19.0 mi.N. of Boise City; about 155.0 ft.S.of Okla.-Colo. State line monument; 375 ft.E.of C/L OK Hwy.#3 (33 ft.E.of C/L abandoned hwy.) Conc. post. Note 1. El. 4090.694 ft.

B-23 1933; Cimarron Co., 16.8 mi.N. of Boise City; 2.2 mi.N. along abd. hwy. from jct.with OK Hwy.#3 (14.6 mi.N.of Boise City); 47 ft.E. of C/L abd. hwy. 37 ft.S. of old cattle guard. Conc. post. Note 1. El. 4000.425 ft.

C-23 1933; Cimarron Co., 11.6 mi.N.of Boise City, along OK Hwy.#3 thence W.over RR & 1.1 mi.N.on abd. hwy. 60 ft.E.of C/L abd.hwy. 425 ft S.of S.bank Cimarron R. 235 ft.N.of gate. Conc.post. El. 3868.906 ft.

- D-23 1933; Cimarron Co., 10.6 mi.N.of Boise City; 255 ft.W.of C/L OK Hwy.#3; 60 yss.E.of abd.Ramsey Ser.Sta. 0.2 mi.N.of Castaneda Sta.; 0.1 mi.N.of N.end stone hwy.culv. Conc.post. Note 1. El. 3947.627 ft.
- E-23 1933; Cimarron Co., 8.1 mi.N.of Boise City; 48.0 ft.E.of C/L OK Hwy.#3; 0.15 mi.N.of N.end of bridge; 14.0 ft.W.of fence. Conc. post. Note 1. El. 4038.391 ft.
- F-23 1933; Cimarron Co., 6.2 mi.N.of Boise City; 53.0 ft.E. of C/L OK Hwy.#3; 26.0 ft.S.of C/L sec.line road at NW cor.of farmyard. Conc. post. Note 1. El. 4209.749 ft.
- G-23 1933; Cimarron Co., 3.2 mi.N.of Boise City; 50.0 ft.W.of C/L OK Hwy.#3; 36.0 ft.S.of C/L Co.road. Conc.post. Note 1. El. 4178.515 ft.
- H-23 1933; Cimarron Co., in NW part of Boise City; 0.25 mi.W.of OK Hwy.#3; 0.25 mi.N. of US Hwy.#64; top of NE wingwall. conc. culvert. Note 1. El. 4170.471 ft.
- Boise City 1933; Cimarron Co., At Boise City, at E.side of C. H. lawn; 23.0 ft.E.of E.wall of bldg., 16.0 ft.W.of W.curb on E.side of square; 11.0 ft.S.of NE.cor.of C. H., Conc.post. Note 1. El. 4164.572 ft.
- J-23 1933; Cimarron Co., At SW.edge of Boise City; approx. 1.0 mi. from C. H., 36.0 ft.S.of C/L OK.Hwy.#78; 41.0 ft.W.of C/L St.leading to AT&SF RR coal elevators. Conc.post. Note 1. El. 4164.860 ft.
- K-23 1933; Cimarron Co., 3.5 mi.SE.of Boise City; At entrance to Frank Souatar farm; 40.0 ft.W.of C/L OK.Hwy.#78; 17.0 ft.N.of C/L farm road leading W. Conc.post. Note 1. El. 4211.770 ft.
- L-23 1933; Cimarron Co., 6.0 mi.S.of Boise City; 50.0 ft.W.of C/L OK.Hwy.#78; 30.0 ft.S.of C/L Co.road. Conc.post. Note 1. El. 4205.300 ft.
- M-23 1933; Cimarron Co., 8.8 mi.S.of Boise City; 50.0 ft.W.of C/L OK.Hwy.#78; 12.0 ft.N.of private road leading W. Conc.post. Note 1. El. 4216.274 ft.
- N-23 1933; Cimarron Co., 11.8 mi.S.of Boise City; 50.0 ft.W.of C/L OK.Hwy.#78; 2.2 mi.N.of road leading W.to Felt; 700.0 yds. S.of top of small knoll. Conc.post. Note 1. El. 4193.594 ft.
- P-23 1933; Cimarron Co., 14.0 mi.S.of Boise City; at intersection of OK.Hwy.#78 with road leading to Felt; 50.0 ft.E.of C/L hwy., 50.0 ft. S.of C/L road to Felt. Conc.post. Note 1. El. 4161.924 ft.
- Q-23 1933; Cimarron Co., 17.0 mi.S.of Boise City; 50.0 ft.W.of C/L OK.Hwy.#78; 30.0 ft.N.of C/L Co.road. Conc.post. Note 1. El. 4161.478 ft.
- R-23 1933; Cimarron Co., 18.0 mi.S.of Boise City & 0.8 mi.E.along sec. line road; 0.2 mi.W.of SE cor.sec.32,T1N.R5E; 29.0 ft.E.of C/L T-rd. leading S.into Texas; 30.0 ft.N.of C/L of E-W rd. Con El. 4130.789 ft.

U. S. Coast & Geodetic Survey-Second Order Levels
Line # 26, Shattuck to Sayre, Oklahoma
Ellis, Roger Mills & Beckham Co's.

- Y-105 1934; Ellis Co., 1.2 mi.S.of AT&SF RR depot at Shattuck; 0.4 mi.S.of Shattuck City Hospital; 150.0 ft.SW.of SW.cor.of cemetery; 25.0 ft.E.of C/L US.Hwy.#283; set on N.end of E.headwall of conc.hwy. culvert. Note 1. El. 2285.369 ft.

For additional elevations in vicinity of Shattuck, see USC&GS line # 7-A, 26-A, and traverse 7-F, & 10-C.

- A-104 1934; Ellis Co., 2.6 mi.S.of Shattuck; 42.0 ft.E.of C/L US. Hwy.#283; 0.1 mi.N.of driveway to farmhouse; 2.0 ft.S.of half sec.line on hwy.R/W line; Conc.post. Note 1. El. 2283.243 ft.

- B-104; Ellis Co., 4.1 mi.S.of Shattuck; 60.0 ft.E.of C/L US.Hwy.
#283; 30.0 ft.N.of C/L sec.line road; 7.0 ft.E.of & inside sec.line
fence corner. Conc.post. Note 1. El. 2351.521 ft.
- C-104 1934; Ellis Co., 6.1 mi.S.of Shattuck; 50.0 ft.E.of C/L US.
Hwy.#283; 30.0 ft.S.of sec.line road; 3.0 ft.S.of sec.line fence cor.,
Conc.post. Note 1. El. 2427.863 ft.
- D-104 1934; Ellis Co., 7.8 mi.NW.of Arnett; 35.0 ft.E.of C/L US.
Hwy.#283; 30.0 ft.N.of C/L sec.line road; 4.0 ft.N.of sec.line fence
cor., Conc.post. Note 1. El. 2480.205 ft.
- E-104 1934; Ellis Co., 6.3 mi.W.of Arnett; 215.0 ft.N.of C/L US.
Hwy.#60; 48.0 ft.SW.of C/L US.Hwy.#283; at NW.point of triangle plot at
jct.of hwy's., Conc.post. Note 1. El. 2447.656 ft.
- F-104 1934; Ellis Co., 4.3 mi.W.of Arnett; 48.0 ft.S.of C/L US.Hwys.
#60 & #283; 210.0 ft.W.of crest of hill and hwy.cut; 21.0 ft.E.of C/L
sec.line road; set on wingwall of conc.culvert; 5.0 ft.below hwy. Note
1. El. 2488.912 ft.
- G-104 1934; Ellis Co., 3.6 mi.W.of Arnett; 24.0 ft.S.of C/L US.Hwys.
#283 & #60; set on SW.conc.wingwall of hwy.bridge over Red Bluff Creek.
Note 1. El. 2349.123 ft.
- H-104 1934; Ellis Co., 1.3 mi.W.of Arnett; 28.0 ft.S.of C/L US.
Hwys.#283 & #60; 235.0 ft.SE.of 20.0 ft.conc.culvert under hwy., 72.0
ft.E.of point where sec.line road makes a bend along bank of creek and
onto hwy., Conc.post. Note 1. El. 2403.653 ft.
- J-104 1934; Ellis Co., At Arnett; on N.side of bottom set on step
of E.main entrance to Ellis Co.C.H., set in conc.step. Note 1.
El. 2460.126 ft.

For additional elevations in vicinity of Arnett, see Traverse 10-H,
10-K. (Note: Traverse 10-K also follows US.Hwy.#283 from Arnett to
Sayre).

- K-104 1934; Ellis Co., At Arnett; on NE.cor.of NE.conc.base of
Arnett W.T., Note 1. El. 2458.017 ft.
- L-104 1934; Ellis Co., 2.2 mi.SE.of Arnett; 48.0 ft.E.of C/L US.
Hwy.#283; 288.0 ft.S.of C/L sec.line road; 100.0 ft.SW.of farmhouse.
Conc.post. Note 1. El. 2391.573 ft.
- M-104 1934; Ellis Co., 4.2 mi.SE.of Arnett; 54.0 ft.W.of C/L US.
Hwy.#283; 135.0 ft.S.of C/L sec.line road to W. Conc.post. Note 1.
El. 2412.676 ft.
- N-104 1934; Ellis Co., 6.2 mi.SE.of Arnett; 45.0 ft.W.of C/L US.
Hwy.#283; 21.0 ft.S.of road intersecting hwy. & passing thru gate in
hwy. R/W fence; set in conc.wingwall; Note 1. El. 2392.328 ft.
- P-104 1934; Ellis Co., 8.2 mi.SE.of Arnett; 0.15 mi.N.of District
School #88; 50.0 ft.E.of C/L US.Hwy.#283; 27.0 ft.S.of C/L sec.line
road. Conc.post. Note 1. El. 2376.127 ft.
- Q-104 1934; Ellis Co., 10.2 mi.SE.of Arnett; 69.0 ft.E.of C/L US.
Hwy.#283; 27.0 ft.N.of C/L sec.line road to E. Conc.post. Note 1.
El. 2382.502 ft.
- R-104 1934; Ellis Co., 12.2 mi.SE.of Arnett; 18.0 ft.W.of US.Hwy.
#283; 28.0 ft.N.of C/L sec.line road; set on S.end of W.headwall of
conc.culvert. Note 1. El. 2326.636 ft.
- S-104 1934; Ellis Co., 14.5 mi.SE.of Arnett; 45.0 ft.W.of C/L of
US.Hwy.#283; 0.25 mi.S.of filling sta., 225.0 ft.S.of sec.line fence;
Conc.post. Note 1. El. 2269.448 ft.
- T-104 1934; Ellis Co., 16.7 mi.SE.of Arnett; 35.0 ft.E.of C/L US.
Hwy.#283; 0.5 mi.N.of curve in hwy., across road from ripped sand
bank; Conc.post. Note 1. El. 2266.035 ft.
- U-104 1934; Ellis Co., 18.5 mi.SE.of Arnett; 50.0 ft.W.of C/L US.
Hwy.#283; on crest of first hill about 1 mi.N.of N.end of South Canadian
River Bridge; Conc.post. Note 1. El. 2192.830 ft.
- V-104 1934; Roger Mills Co., 17.7 mi.NW.of Cheyenne; 0.6 mi.S.of
Ellis & Roger Mills Co.line; 13.0 ft.W.of C/L US.Hwy.#283; set on W.side

- of S.conc.wingwall of hwy.bridge, over Canadian River. Note 1.
El. 2026.377 ft.
- W-104 1934; Roger Mills Co., 15.6 mi.NW.of Cheyenne; 19.0 ft.W.of
C/L US.Hwy.#283; set on S.end of W.headwall of conc.culvert. Note 1.
El. 2198.709 ft.
- X-104 1934; Roger Mills Co., 13.2 mi.NW.of Cheyenne; 42.0 ft.W.of
C/L US.Hwy.#283; 43.0 ft.E.of C/L OK.Hwy.#33; at Y in road; 135.0 ft.N.
of sec.line road; 300.0 ft.W.of schoolhouse; conc.post. Note 1.
El. 2302.410 ft.

For additional elevations in vicinity of Roll, see Traverse 9-E & 10-K.

- Y-104 1934; Roger Mills Co., 11.0 mi.NW.of Cheyenne; 56.0 ft.W.of
C/L US.Hwy.#283; 42.0 ft.S.of C/L sec.line road; Conc.post. Note 1.
El. 2224.707 ft.
- Z-104 1934; Roger Mills Co., 9.0 mi.NW.of Cheyenne; 78.0 ft.W.of
C/L US.Hwy.#283; 65.0 ft.W.of point where hwy. & sec.line road fork;
9.0 ft.N.of sec.line fence cor. Conc.post. Note 1. El. 2071.843 ft.
- A-105 1934; Roger Mills Co., 7.0 mi.NW.of Cheyenne; 15.0 ft.W.of
C/L US.Hwy.#283; set on SW.wingwall of hwy.bridge over Dead Indian Creek.
Note 1. El. 1985.669 ft.
- B-105 1934; Roger Mills Co., 4.8 mi.NW.of Cheyenne; 54.0 ft.E.of
C/L US.Hwy.#283; 18.0 ft.S.of gate in R/W fence. Conc.post. Note 1.
El. 2123.053 ft.
- C-105 1934; Roger Mills Co., 2.7 mi.NW.of Cheyenne; 18.0 ft.W.of
C/L US.Hwy.#283; 0.2 mi.S.of crest of hill. Std.disk set in S.end of W.
headwall conc.culvert. Note 1. El. 2026.889 ft.
- D-105 1934; Roger Mills Co., 0.8 mi.NW.of Cheyenne; 18.0 ft.W.of
C/L US.Hwy.#283; set in conc.wingwall of Washita River bridge. Note 1.
El. 1924.973 ft.
- E-105 1934; Roger Mills Co., At Cheyenne; 177.0 ft.W.of AT&SF RR
depot; 52.0 ft.S.of near rail main track; 45.0 ft.N.of fence around
Beavin & Pankey Oil Co. gas storage tank; 33.0 ft.W.of road crossing
track; Conc.post. Note 1. El. 1932.716 ft.

For additional elevations in vicinity of Cheyenne, see USC&GS line #26, #26-B, Traverse 9-F & 10-K.

- F-105 1934; Roger Mills Co., 0.7 mi.S.of Cheyenne; 24.0 ft.W.of
US.Hwy.#283; set on NW.wingwall of conc.bridge. Note 1.
El. 1973.467 ft.
- G-105 1934; Roger Mills Co., 2.8 mi.S.of Cheyenne; 50.0 ft.W.of
C/L US.Hwy.#283; on crest of hill; 0.1 mi.S.of farmhouse. Conc.post.
Note 1. El. 2119.953 ft.
- H-105 1934; Roger Mills Co., 4.9 mi.S.of Cheyenne; 45.0 ft.E.of
C/L US.Hwy.#283; on opposite side of road from driveway at N.end of
field. Conc.post. Note 1. El. 2257.213 ft.
- J-105 1934; Roger Mills Co., 6.9 mi.S.of Cheyenne; 40.0 ft.E.of
C/L US.Hwy.#283; 35.0 ft.NE.of conc.culvert under road. Conc.post. Note
1. El. 2257.331 ft.

For additional elevations 7.0 mi.S.of Cheyenne, see Traverse 9-H.

- K-105 1934; Roger Mills Co., 9.0 mi.S.of Cheyenne; 50.0 ft.W.of
C/L US.Hwy.#283; at N.end of curve to E.where sec.line road forks off
hwy., Conc.post. Note 1. El. 2291.495 ft.
- L-105 1934; Roger Mills Co., 10.7 mi.S.of Cheyenne; 15.0 ft.W.of
C/L US.Hwy.#283; set on SW.wingwall of conc.bridge. Note 1.
El. 2073.326 ft.
- M-105 1934; Roger Mills Co., 9.3 mi.N.of Sayre; 50.0 ft.W.of C/L
US.Hwy.#283; 0.4 mi.N.of sec.line road; 6.0 ft.E.of fence line. Conc.
post. Note 1. El. 2103.749 ft.

N-105 1934; Beckham Co., 7.6 mi.N.of Sayre; 36.0 ft.E.of C/L US.
Hwy.#283; 0.1 mi.S.of tangent of curve; 90.0 ft.N.of hwy.curve sign.
Conc.post. Note 1. El. 2087.023 ft.

For additional elevations 7.0 mi.N.of Sayre, see Traverse 9-J.

P-105 1934; Beckham Co., 4.8 mi.N.of Sayre; 15.0 ft.E.of C/L US.Hwy.
#283; set on top of NE.wingwall of 24 ft.double culvert. Note 1.
El. 1993.628 ft.

Q-105 1934; Beckham Co., 3.1 mi.N.of Sayre; 12.0 ft.W.of C/L US.
Hwy.#283; on S.end of W.headwall of conc.stock underpass near center of
fill. Note 1. El. 1956.358 ft.

R-105 1934; Beckham Co., 1.1 mi.N.of Sayre; 235.0 ft.NE.of jct.of
US.Hwy.#66 & #238; 95.0 ft.E.of C/L US.Hwy.#283; at Sayre N. city limits.
Conc.post. Note 1. El. 1902.522 ft.

S-105 1934; Beckham Co., at Sayre; 9.0 ft.E.of colored waiting
room of CRI&P RR depot; 2.0 ft.W.of S.ticket office window; in S.face of
conc.foundation; 1.0 ft.above ground. Note 1. El. 1817.172 ft.

For additional elevations in vicinity of Sayre, see USC&GS Line
#25, Traverse 10-K & 13-B, 25-D.

U. S. Coast & Geodetic Survey - Second-Order Leveling
Line 26-A - Stratford, Texas to Shattuck, Oklahoma
Ellis Co.,

U-105 1934; Ellis Co., 8.3 mi.NW.of Shattuck; 85.0 ft.S.of near
rail P&SF RR; 75.0 ft.E.of 12th post E.of MP.#8; 42.0 ft.W.of sec.line
road; Conc.post. Note 1. El. 2298.827 ft.

V-105 1934; Ellis Co., 5.8 mi.NW.of Shattuck; 100.0 ft.S.of near
rail P&SF RR; 175.0 ft.S.of 5th post W.of MP.#5; on opposite side of
track from post; 30.0 ft.W.of sec.line road; Conc.post. Note 1.
El. 2260.389 ft.

W-105 1934; Ellis Co., 4.2 mi.NW.of Shattuck; 20.0 ft.NW.of near
rail of P&SF RR; in cement culvert #3-B, passing under both road and
track. Note 1. El. 2248.165 ft.

X-105 1934; Ellis Co., 1.2 mi.NW.of Shattuck; 50.0 ft.S.of near
rail of P&SF RR; 120.0 ft.S.& on opposite side of track from 11th post
NE.of MP.#1; 20.0 ft.W.of sec.line road; conc.post. Note 1.
El. 2228.168 ft.

For additional elevations in vicinity of Shattuck, see USC&GS
lines # 7-A, 26, & Traverse 7-F & 10-C.

U. S. Coast & Geodetic Survey - Second-Order Levels
Line 26-B - Cheyenne, Oklahoma to Briscoe, Texas
Roger Mills Co.

For additional elevations in vicinity of Cheyenne, see USC&GS line
26 and Traverse 9-F.

X-103 1934; Roger Mills Co., 2.4 mi.W.of Cheyenne; 39.0 ft.N.of
near rail of P&SF RR; 0.5 mi.W.of MP.#79; 36.0 ft.E.of C/L sec.line road
outside fence line. Conc.post. Note 1. El. 1948.884 ft.

W-103 1934; Roger Mills Co., 4.8 mi.NW.of Cheyenne; 90.0 ft.E.of
near rail of P&SF RR; 400.0 ft.S.of MP.#76; 36.0 ft.S.of C/L sec.line
road; 7.0 ft.W.of fence cor. on outside of fence. Conc.post. Note 1.
El. 1968.461 ft.

V-103 1934; Roger Mills Co., 6.1 mi.NW.of Cheyenne; 53.0 ft.SE.of
P&SF RR culvert #74-F; 30.0 ft.S.of near rail of track; 0.3 mi.W.of MP.

- #75; 36.0 ft.E.of abandoned sec.line road. Conc.post. Note 1. El. 1994.871 ft.
- U-103 1934; Roger Mills Co., 8.4 mi.NW.of Cheyenne; 72.0 ft.E.of near rail of RR track; 0.4 mi.S.of MP.#72; 36.0 ft.S.of C/L sec.line road. Conc.post. Note 1. El. 2008.726 ft.
- T-103 1934; Roger Mills Co., 8.3 mi.NE.of Reydon; 45.0 ft.W.of near rail P&SF RR main track; set on E.side of conc.wall top. Note 1. 0.2 mi.SE.of MP.#70. El. 2041.499 ft.
- S-103 1934; Roger Mills Co., 6.5 mi.NE.of Reydon; 0.25 mi.NE.of MP #68; 87.0 ft.SE.of near rail P&SF track; 33.0 ft.N.of C/L sec.line road; Conc.post. Note 1. El. 2074.117 ft.
- R-103 1934; Roger Mills Co., 4.4 mi.NE.of Reydon; 0.45 mi.NE.of MP.#66; 0.15 mi.NE.of P&SF RR culvert #66-B; 74.0 ft.N.of near rail of track; Conc.post. Note 1. El. 2133.300 ft.
- Q-103 1934; Roger Mills Co., 1.8 mi.NE.of Reydon; 0.25 mi.SW.of MP.#64; 60.0 ft.SE.of near rail P&SF RR track; 30.0 ft.E.of C/L sec. line road; Conc.post. Note 1. El. 2219.687 ft.
- P-103 1934; Roger Mills Co., At Reydon; 363.0 ft.E.of P&SF RR depot; 385.0 ft.W.of MP.#62; 96.0 ft.N.of main track; 45.0 ft.N.of water tank; Conc.post. Note 1. El. 2273.011 ft.
- N-103 1934; Roger Mills Co., 1.7 mi.W.of Reydon depot; 90.0 ft.SE. of near rail P&SF RR track; 0.2 mi.NE.of MP.#60; 60.0 ft.W.of C/L sec. line road. Conc.post. Note 1. El. 2317.056 ft.
- M-103 1934; Roger Mills Co., 3.9 mi.W.of Reydon; 36.0 ft.S.of near rail P&SF RR track; 396.0 ft.E.of MP.#58; 36.0 ft.E.of C/L sec.line road; Conc.post. Note 1. El. 2390.497 ft.
- L-103 1934; Roger Mills Co., 5.0 mi.W.of Reydon; 65.0 ft.S.of near rail of P&SF RR track; 0.5 mi.E.of MP.#56; set on NE.cor.of conc. monument of Texas-Oklahoma State Line. Note 1. El. 2438.040 ft.

U. S. Coast & Geodetic Survey - Second-Order Levels
Woodward, Dewey, Custer, Roger Mills & Beckham Co's.
Line # 28; Woodward, Oklahoma to Quanah, Texas
Oklahoma Section

B-33 1934; Woodward Co., 1.3 mi.S.of Woodward Public School; 48.0 ft.NE.of C/L MK&T RR; 1.0 ft.SW.of RR R/W fence line; 75.0 ft.NW.of second tel.pole NW.of MP.#218. Conc.post. Note 1. El. 1962.923 ft.

For additional elevations in vicinity of Woodward, see USC&GS # 7, 7-A, 16, & Traverse 10-C, 10-D, & 10-E.

- C-33 1934; Woodward Co., 3.3 mi.S.of Woodward; 40.0 ft.N.of C/L MK&T RR; 60.0 ft.S.of RR R/W fence line; 33.0 ft.E.of MP.#216. Conc. post. Note 1. El. 2024.314 ft.
- D-33 1934; Woodward Co., 5.0 mi.S.of Woodward; 0.1 mi.E.of Prairie View School; 78.0 ft.W.of C/L MK&T RR; 98.0 ft.SW.of Co.road & RR crossing; 6.0 ft.S.of fence cor., Conc.post. Note 1. El. 2062.778 ft.
- E-33 1934; Woodward Co., 5.5 mi.N.of Sharon; 45.0 ft.N.of C/L MK&T RR; 90.0 ft.NW.of Co.road & RR crossing; 66.0 ft.E.of 10th tel.pole E. of MP.#212. Conc.post. Note 1. El. 2044.989 ft.
- F-33 1934; Woodward Co., 3.8 mi.N.of Sharon; 60.0 ft.E.of C/L of MK&T RR; 84.0 ft.N.of 3rd tel.pole N.of MP.#210; 6.0 ft.N.of cast iron pipe gate at private RR crossing. Conc.post. Note 1. El. 2092.292 ft.
- G-33 1934; Woodward Co., 1.8 mi.N.of Sharon; 45.0 ft.E.of C/L MK&T RR; 6.0 ft.W.of RR R/W fence line; 2.0 ft.SW.of MP.#208; about 3.0 ft. above level of RR. Conc.post. Note 1. El. 2132.043 ft.
- H-33 1934; Woodward Co., At Sharon; 450.0 ft.S.of MK&T RR depot; 78.0 ft.E.of C/L track; 90.0 ft.N.of Sharon Plant of Texas Petroleum Co. 300.0 ft.W.of Sharp Lumber Co. Conc.post. Note 1. El. 2059.773 ft.

For additional elevations in vicinity of Sharon, see Traverse 9-D, 7-F.

J-33 1934; Woodward Co., 2.1 mi.S.of Sharon; 39.0 ft.W.of C/L MK&T RR; 66.0 ft.W.of 9th tel.pole N.of MP.#204; 45.0 ft.NW.of Co.road & RR crossing. Conc.post. Note 1. El. 2093.989 ft.

K-33 1934; Woodward Co., 4.3 mi.S.of Sharon; 30.0 ft.S.of C/L MK&T RR; 255.0 ft.E.of MP.#202; 40.0 ft.SW.of Co.road & RR crossing; 2.0 ft. N.of RR crossing sign board. Conc.post. Note 1. El. 2100.494 ft.

L-33 1934; Woodward Co., 4.3 mi.N.of Vici; 39.0 ft.E.of C/L MK&T RR; 2.0 ft.W.of MP.#200; 90.0 ft.W.of C/L OK.Hwy.#34. Conc.post. Note 1. El. 2169.658 ft.

M-33 1934; Woodward Co., 2.4 mi.N.of Vici; 45.0 ft.NE.of C/L MK&T RR; 40.0 ft.NW.of 1st tel.pole NW.of MP.#198; 384.0 ft.NW.of RR bridge #198-0; 27.0 ft.NE.of RR crossing signboard. Conc.post. Note 1. El. 2200.028 ft.

N-33 1934; Dewey Co., At Vici; 30.0 ft.N.of C/L MK&T RR; 450.0 ft. W.of depot; 280.0 ft.NW.of sec.house; 385.0 ft.NW.of Long-Bell Lbr.Co. post. Note 1. El. 2265.110 ft.

For additional elevations in vicinity of Vici, see USC&GS #15 & Traverse 9-D, 10-H, & 10-J.

P-33 1934; Dewey Co., 0.8 mi.S.of Vici; 48.0 ft.E.of C/L MK&T RR; 12.0 ft.NE.of 3rd tel.pole S.of MP.#195; 1.0 ft.W.of RR.R/W fence line. 725.0 ft.N.of US.Hwy.#60 & RR crossing. Conc.post. Note 1. El. 2253.358 ft.

Q-33 1934; Dewey Co., 2.7 mi.S.of Vici; 51.0 ft.E.of C/L MK&T RR; 39.0 ft.N.of 2nd tel.pole N.of MP.#193; 2.0 ft.W.of RR R/W fence line; 65.0 ft.W.of C/L OK.Hwy.#34; Conc.post. Note 1. El. 2222.423 ft.

R-33 1934; Dewey Co., 4.6 mi.S.of Vici; 45.0 ft.W.of C/L MK&T RR; 2.0 ft.E.of R/W fence line; 91.0 ft.NW.of 4th tel.pole N.of MP.#191. Conc.post. Note 1. El. 2142.683 ft.

T-33 1934; Dewey Co., 1.9 mi.N.of Camargo; 33.0 ft.E.of C/L MK&T RR; 6.0 ft.SE.of 2nd tel.pole N.of MP.#187; 60.0 ft.SE.of Co.road & RR crossing. Conc.post. Note 1. El. 1983.982 ft.

S-33 1934; Dewey Co., 4.2 mi.N.of Camargo; 45.0 ft.W.of C/L MK&T RR; 70.0 ft.W.of Co.road & RR crossing; 3.0 ft.S.of fence cor. Conc. post. Note 1. El. 2075.668 ft.

U-33 1934; Dewey Co., At Camargo; 280.0 ft.SW.of depot; 54.0 ft.W. of C/L MK&T RR main track; 210.0 ft.N.of N.end of stock yards fence. Conc.post. Note 1. El. 1908.713 ft.

For additional elevations in vicinity of Camargo, see Traverse 10-J.

V-33 1934; Dewey Co., 1.6 mi.N.of Trail; 60.0 ft.W.of C/L MK&T RR track; 328.0 ft.S.of S.end of RR bridge over S.fork Canadian River; 2.0 ft.S.of sec.line fence. Conc.post. Note 1. El. 1849.865 ft.

W-33 1934; Dewey Co., At Trail; 63.0 ft.W.of MK&T RR depot; 48.0 ft.W.of C/L track; 1.0 ft.E.of RR R/W fence line; 340.0 ft.NW.of MP.#181. Conc.post. Note 1. El. 1905.305 ft.

For additional elevations in vicinity of Trail, see Traverse 10-J.

A-25 1934; Dewey Co., 1.7 mi.S.of Trail; 54.0 ft.W.of W.rail MK&T RR on RR property line; 0.1 mi.NE.of OK.Hwy.#34 viaduct over MK&T RR track; 0.45 mi.NE.of MP.#179. Conc.post. Note 1. El. 1971.233 ft.

B-25 1934; Dewey Co., 3.0 mi.S.of Trail; 45.0 ft.N.of near rail of MK&T RR; 175.0 ft.NW.of MP.#178; 12.0 ft.E.of woven wire gate in RR R/W fence line. Conc.post. Note 1. El. 2018.034 ft.

C-25 1934; Dewey Co., 4.4 mi.N.of Leedey; 39.0 ft.E.of near rail of MK&T RR; 0.15 mi.S.of MP.#176; 30.0 ft.N.of C/L sec.line road; on sec.

road R/W. Conc.post. Note 1. El. 2092.712 ft.
 D-25 1934; Dewey Co., 2.2 mi.N.of Leedey; 57.0 ft.E.of near rail
 MK&T RR; 0.4 mi.N.of RR pump sta., 0.25 mi.S.of MP.#174; 39.0 ft.N.of
 C/L sec.line road on RR R/W line. Conc.post. Note 1. El. 2129.497 ft.
 E-25 1934; Dewey Co., At Leedey; 215.0 ft.NW.of depot; 71.0 ft.W.of
 near rail main track MK&T RR; 120.0 ft.N.of Southwestern Light & Power
 Co. Sub Sta., Conc.post. Note 1. El. 2043.287 ft.

For additional elevations in vicinity of Leedey, see Traverse 9-E
 & 10-J.

F-25 1934; Dewey Co., 0.9 mi.S.of Leedey; 48.0 ft.E.of MK&T RR track;
 in NE.cor.RR property; 0.2 mi.N.of MP.#170; 25.0 ft.S.of C/L sec.line
 road. Conc.post. Note 1. El. 2016.223 ft.
 G-25 1934; Dewey Co., 2.9 mi.S.of Leedey; 51.0 ft.E.of near rail
 MK&T RR; 30.0 ft.N.of sec.line road in SE.cor.of RR crossing; 300.0 ft.
 W.of Pleasant View Dist. School. Conc.post. Note 1.

H-25 1934; Custer Co., 4.3 mi.N.of Moorewood; 33.0 ft.W.of near
 rail of MK&T RR; 3.0 ft.E.of RR R/W fence line at S.end of dirt cut;
 0.5 mi.S.of MP.#167; 210.0 ft.S.of sec.line road. Conc.post. Note 1.
 El. 1939.488 ft.
 J-25 1934; Custer Co., 2.2 mi.N.of Moorewood; 48.0 ft.E.of nearest
 rail of MK&T RR; 0.4 mi.N.of MP.#164; in NE.cor.of RR property; 27.0 ft.
 S.of C/L sec.road. Conc.post. Note 1. El. 1860.718 ft.
 K-25 1934; Custer Co., At Moorewood; 105.0 ft.SW.of near rail of
 MK&T RR main track; 57.0 ft.SW.of SW.cor.RR depot; on RR R/W line; 0.2
 mi.NW.of MP.#162. Conc.post. Note 1. El. 1806.168 ft.
 El. 1749.353 ft.

For additional elevations in vicinity of Moorewood, see Traverse
 10-J.

L-25 1934; Custer Co., 1.3 mi.SE.of Moorewood; 50.0 ft.E.of near
 rail MK&T RR track; on RR R/W line; 0.2 mi.S.of MP.#161; 0.3 mi.S.of
 C/L sec.line road. Conc.post. Note 1. El. 1741.073 ft.
 M-25 1934; Custer Co., 3.4 mi.SE.of Moorewood; 54.0 ft.E.of near
 rail MK&T RR track; 0.3 mi.SE.of MP.#159; 19.0 ft.E.of RR R/W fence line;
 23.0 ft.N.of C/L sec.line road on R/W line. Conc.post. Note 1.
 El. 1691.266 ft.
 N-25 1934; Custer Co., 4.0 mi.NE.of Hammon; 48.0 ft.N.of near rail
 MK&T RR track; 0.4 mi.W.of MP.#157; on RR R/W fence line; 325.0 ft.SE.
 of unpainted farmhouse. Conc.post. Note 1. El. 1695.800 ft.
 P-25 1934; Custer Co., 1.7 mi.NE.of Hammon; 48.0 ft.SE.of intersect-
 ion AT&SF RR & MK&T RR; 400.0 ft.NE.of Co.line sign, where MK&T RR crosses
 from Custer Co. into Roger Mills Co., at NW.cor.of AT&SF sec.house yard.
 Conc.post. Note 1. El. 1703.927 ft.
 Q-25-1934; Roger Mills Co., At Hammon; 225.0 ft.N.of N.end MK&T RR
 depot; 0.1 mi.S.of MP.#153; 30.0 ft.W.of near rail MK&T main track; 4.0
 ft.S.of 3rd tel.pole N.of depot. Conc.post. Note 1. El. 1736.151 ft.

For additional elevations in vicinity of Hammon, see Traverse 9-F
 & 10-J.

R-25 1934; Roger Mills Co., 2.0 mi.S.of Hammon; 42.0 ft.E.of near
 rail main track MK&T RR; 0.3 mi.S.of MP.#151; 300.0 ft.S.of sec.line
 overpass MK&T RR; 8.0 ft.W.of R/W fence line. Conc.post. Note 1.
 El. 1788.264 ft.
 S-25 1934; Roger Mills Co., 3.6 mi.N.of Carpenter; 51.0 ft.E.of
 near rail MK&T RR on RR R/W line; 0.3 mi.S.of MP.#149; 96.0 ft.SE.of A.
 L. Driver's mail box; 42.0 ft.S.of sec.line road. Conc.post. Note 1.
 El. 1836.604 ft.

T-25 1934; Roger Mills Co., 2.0 mi.N.of Carpenter; 26.0 ft.E.of near rail MK&T RR on RR R/W line; 400.0 ft.N.of MP.#147. Conc.post. Note 1. El. 1875.334 ft.

U-25 1934; Roger Mills Co., At Carpenter; 396.0 ft.N.of MK&T RR depot; 24.0 ft.W.of near rail main track; 385.0 ft.N.of MP.#145; 300.0 ft.S.of RR bridge #145-1; 35.0 ft.NE.of porch sec.foreman's house at NE.cor.of yard. Conc.post. Note 1. El. 1931.302 ft.

For additional elevations in vicinity of Carpenter, see Traverse 9-H & 10-J.

V-25 1934; Beckham Co., 1.6 mi.SW.of Carpenter; 325.0 ft.S.of Roger Mills-Beckham Co.line road; 45.0 ft.E.of intersection MK&T RR & N-S sec.line road; 0.4 mi.NE.of MP.#143; Conc.post. Note 1.

El. 1985.846 ft.

W-25 1934; Beckham Co., 3.6 mi.SW.of Carpenter; 96.0 ft.E.of near rail MK&T RR; 0.45 mi.N.of MP.#141; 27.0 ft.N.of C/L sec.line road, on its R/W line; 18.0 ft.E.of RR R/W line. Conc.post. Note 1.

El. 2063.565 ft.

For additional elevations in vicinity of Elk City, see line # 25 and Traverse 9-J & 10-J.

Balance of line will be found in Okla. Geol. Survey Bull. 58

U. S. Coast & Geodetic Survey - Second-Order Leveling
Line # 30; Seiling to Clinton, Oklahoma
Dewey & Custer Co.

H-34 1934; Dewey Co., At Seiling; 325.0 ft.E.of jct.US.Hwy.#60 & old OK.Hwy.#35; 270.0 ft.E.of Watt Service Sta. # 2; 50.0 ft.NE.of jct.of hwy. sign board; 45.0 ft.N.of C/L OK.Hwy.#35. Conc.post. Note 1.

El. 1759.468 ft.

G-34 1934; Dewey Co., At Seiling; 0.8 mi.W.of jct.US.Hwy.#60 & OK.Hwy.#35; 425.0 ft.SW.of large yellow farmhouse; 42.0 ft.N.of C/L US.Hwy.#60; 33.0 ft.E.of N-S sec.line road; 3.0 ft.NE.of fence cor. Conc.post. Note 1.

El. 1746.827 ft.

P-114 1935; Dewey Co., 1.8 mi.S.of Seiling; 40.0 ft.N.of C/L US.Hwy.#60; 30.0 ft.E.of C/L sec.line road; at jct.of OK.Hwy.#14 & US.Hwy.#60. in NE.sec.cor. Conc.post. Note 1.

El. 1814.317 ft.

9-D-35 & 9-D-36 TT 1934; See Traverse 9-D.

N-114 1935; Dewey Co., 5.0 mi.S.of Seiling; 45.0 ft.W.of C/L OK.Hwy.#14; 10.0 ft.W.& 2.0 ft.S.of sec.cor.fence. Conc.post. Note 1.

El. 1901.617 ft.

M-114 1935; Dewey Co., 2.4 mi.N.of Taloga; 30.0 ft.S.of C/L OK.Hwy.#14; 2.0 ft.W.of sec.line fence; inside SW.sec.fence cor. Conc.post. Note 1.

El. 1784.629 ft.

L-114 1935; Dewey Co., At Taloga; 90.0 ft.N.of C/L E-W road at N. edge of Taloga; 50.0 ft.W.of C/L OK.Hwy.#14. Conc.post. Note 1.

El. 1708.241 ft.

9-D-38 TT 1934 to & including 9-D-41 TT 1934; See Traverse 9-D.

Dawson R.M.#2 1934; Dewey Co., 6.4 mi.S.of Taloga; 86.0 ft.W.of C/L OK.Hwy.#14; 50.0 ft.NW.of Dawson Tri.Sta., 47.0 ft.W.of bank; 20.0 ft. above hwy. R.M. set in conc. post. Note 1.

El. 2030.242 ft.

Dawson Tri.Sta., 1934; Dewey Co., 6.4 mi.S.of Taloga; 48.0 ft.W.of C/L OK.Hwy.#14; 20.0 ft.above hwy., Tri.Sta.mark, bronze disk set in conc. post.

El. 2033.018 ft.

Dawson R.M.#1 1934; Dewey Co., 6.4 mi.S.of Taloga; 90.0 ft.W.of C/L OK.Hwy.#14; 50.0 ft.SW.of Dawson Tri.Sta., 48.0 ft.W.of bank; 20.0 ft. above hwy., R.M. set in conc.post. Note 1.

El. 2030.459 ft.

- K-114 1935; Dewey Co., 5.7 mi.N.of Putman; 45.0 ft.E.of C/L OK.Hwy.
#14; 40.0 ft.SE.of S.end of hwy.cut; 18.0 ft.S.of C/L road to E., Conc.
post. Note 1. El. 2000.078 ft.
- 9-D-45 TT 1934 to & including 9-D-48 TT 1934; See Traverse 9-D.
- J-114 1935; Dewey Co., At Putman; 55.0 ft.W.of C/L OK.Hwy.#14; 65.0
ft.S.of Howell repair shop. Conc.post. Note 1. El. 1959.182 ft.
- Antho'n Azimuth; 1934; Custer Co., 6.5 mi.S.of Putnam; 0.4 mi.S.of
Midway; 45.0 ft.W.of C/L OK.Hwy.#14; 122.0 ft.SW.of conc.culvert. disk
set in conc.post. El. 1849.622 ft.
- 9-D-50 TT 1934 to & including 9-D-57 TT 1934; See Traverse 9-D.
- H-114 1935; Custer Co., 8.5 mi.N.of Arapho; 54.0 ft.W.of C/L OK.Hwy.
#14; 81.0 ft.NE.of Prairieview Schoolhouse; 33.0 ft.S.of C/L sec.line
road; just outside school yard fence cor. Conc.post. Note 1.
El. 1752.385 ft.
- 9-D-59 to & including 9-D-63 TT 1934; See Traverse 9-D.
- G-114 1935; Custer Co., 1.2 mi.N.of Arapaho; 15.0 ft.E.of C/L OK.
Hwy.#14; on N.wingwall of conc.bridge over creek. Note 1.
El. 1559.387 ft.
- 9-D-651 TT 1934 to & Including 9-D-69 TT 1934; See Traverse 9-D.
- F-114 1935; Custer Co., At Clinton; 120.0 ft.SW.of CRI&P RR sta.,
81.0 ft.S.of nearest rail of main track; 30.0 ft.W.of C/L OK.Hwy.#14;
inside hwy.R/W & at fence line Conc.post. Note 1.
El. 1495.135 ft.
- 9-D-70 TT 1934; See Traverse 9-D.

U. S. Coast & Geodetic Survey - Second-Order Levels
Line #32, Geary to O'Keene, Oklahoma
Blaine Co.

- 14-C-1 TT 1934; See Traverse 14-C.
- NN-114 1935; Blaine Co., 1.9 mi.N.of Geary; 50.0 ft.E.of near rail
of CRI&P RR; 84.0 ft.S.of MP.#1-20; 25.0 ft.N.of C/L of road through
gate Note 1. El. 1483.688 ft.
- 114-C-3 Geary to Watonga Section, see Traverse 14-C.
- MM-114-1935; Blaine Co., 1.4 mi.S.of Watonga; 35.0 ft.E.of near
rail of CRI&P RR track; 9.0 ft.S.of 16th pole N.of MP#15; 35.0 ft.N.of
C/L of sec.line road; Conc.post. Note 1. El. 1487.018 ft.
- LL-114 1935; Blaine Co., At Watonga; 165.0 ft.N.of CRI&P RR sta.,
9.0 ft.W.of near rail of main track; set in NE.cor.of S.one of two E.
conc.bases of RR W.T., Conc.post. Note 1. El. 1515.417 ft.

For additional elevations in vicinity of Watonga, see Traverse
14-C & 15-C.

- KK-114-1935; Blaine Co., 0.5 mi.N.of Watonga; 42.0 ft.E.of near
rail of CRI&P RR track; 200.0 ft.NE.of MP.#60-10 48.0 ft.S.of St.cross-
ing track. Conc.post. Note 1. El. 1517.231 ft.
- JJ-114 1935; Blaine Co., 2.4 mi.N.of Watonga; 21.0 ft.NW.of near
rail of CRI&P RR track; 24.0 ft.SW.of 11th pole SW.of MP.#58; 36.0 ft.W.
of C/L of sec.line road. Conc.post. Note 1. El. 1574.236 ft.
- HH-114 1935; Blaine Co., 4.9 mi.N.of Watonga; 36.0 ft.W.of near
rail of CRI&P RR track; 4.0 ft.SE.of MP.#56; 42.0 ft.S.of C/L of sec.
line road. Conc.post. Note 1. El. 1511.588 ft.
- GG-114 1935; Blaine Co., 3.9 mi.S.of Hitchcock; 15.0 ft.N.of near
rail of CRI&P RR main track; 96.0 ft.NW.of MP.#54-20; 87.0 ft.W.of RR
overpass #54-6 over OK.Hwy.#8; Conc.post. Note 1. El. 1448.777 ft.
- FF-114 1935; Blaine Co., 1.8 mi.S.of Hitchcock; 53.0 ft.NW.of near
rail of CRI&P RR; 105.0 ft.W.of C/L OK.Hwy.#8; 33.0 ft.S.of C/L sec.line
road; 60.0 ft.N.of MP.#52-20. Conc.post. Note 1. El. 1343.114 ft.
- P-113 1935; Blaine Co., At Hitchcock; 0.2 mi.N.of CRI&P RR; 30.0 ft.
W.of near rail of main track; 15.0 ft.SE.of MP.#50-20; 190.0 ft.S.of C/L
OK.Hwy.#8. Conc.post. Note 1. El. 1282.150 ft.

- N-113 1935; Blaine Co., 2.3 mi.N.of Hitchcock; 50.0 ft.NW.of near rail of CRI&P RR track; 62.0 ft.NE.of 18th pole SW.of MP.#48; 33.0 ft. N.of C/L sec.line road; Conc.post. Note 1. El. 1225.887 ft.
- M-113 1935; Blaine Co., 4.3 mi.N.of Hitchcock; 60.0 ft.SE.of near rail of CRI&P RR track; 96.0 ft.E.of 17th pole SW.of MP.#46; 36.0 ft.S. of C/L sec.line road; Conc.post. Note 1. El. 1225.522 ft.
- L-113 1935; Blaine Co., 4.5 mi.S.of O'Keene; 40.0 ft.W.of near rail of CRI&P RR track; 84.0 ft.S.of 15th pole S.of MP.#44; 36.0 ft.N.of C/L of sec.line road; Conc.post. Note 1. El. 1213.879 ft.
- K-113 1935; Blaine Co., 2.5 mi.S.of O'Keene; 42.0 ft.W.of near rail of CRI&P RR track; 69.0 ft.N.of 15th pole S.of MP.#42; 30.0 ft.N.of C/L of sec.line road. Conc.post. El. 1221.389 ft.
- Magnetic Station; 1935 Blaine Co., At O'Keene; in SW.cor.of O'Keene City Park; 48.0 ft.N.of S.fence line; 156.0 ft.E.of W.fence line. Std. Magnetic Sta.disk set in conc.post. El. 1203.416 ft.

U. S. Coast & Geodetic Survey - First-Order Leveling
Line # 34 - Grant, Garfield & Kingfisher Co's.
Manchester, Oklahoma to El Reno, Oklahoma

- Y-Grant Co., At Manchester; In N.face of Odd Fellow Hall; center of brick column at NE.cor., in 15th tier above stone foundation. Note 35. El. 1288.514 ft.

For additional elevations in vicinity of Manchester, see Traverse 8-B.

- X Grant Co., At Gibbon; 2 poles E.of & across AT&SF RR tracks from station sign; 10.0 ft.W.of 2nd telegraph pole W.of MP.#305. Note 12. El. 1183.049 ft.
- W Grant Co., At Wakita; on S.face of E.column of Masonic Hall; on Main St., in middle brick in 17th tier from sidewalk. Note 35. El. 1181.960 ft.
- V Grant Co., (Reset 1933) At Clyde; about 100.0 yds.E.of AT&SF RR sta. S.of track; 4.0 yds.S.of NE.cor.of grain elevator & 1.0 yd. E.of bldg., bottom of sq.hole surrounded by letters "USBM" cut on top of lime stone post. El. 1113.246 ft.

(Note: First-Order leveling in 1933 indicates this BM was set 0.059 ft.higher than V destroyed.)

- S Grant Co., At Medford; in SE.angle formed by CRI&P RR & AT&SF RR; 60.0 ft.from each track. Note 12. El. 1087.262 ft.

For additional elevations in vicinity of Medford see USC&GS line # 34-A.

- R-Grant Co., 0.5 mi.S.of Jefferson; on NW.cor.of SW.foundation stone supporting column to central part of RR W.T. Note 5 El. 1047.895 ft.
- Q- Grant Co., At Pond Creek; on stone doorstep of schoolhouse (1895) 4 in. from E.side of arch to S.doorway & 2 in.from edge of stone. Note 5. El. 1050.378 ft.

For additional elevations in vicinity of Pond Creek, see Traverse 7-B.

- P-Garfield Co., At Kremlin; 12.0 ft.S.of 6th telegraph pole N.of station. Note 12. El. 1120.946 ft.

For additional elevations in vicinity of Kremlin, see Traverse 7-B & 7-C.

Enid Tri.Sta., Garfield Co., 2.0 mi.N.& 2.5 mi.E.of N.Enid; in sec. 22, T23N, R6W; on a prominent ridge; in line of fence on S.side of road (N.boundary of Mr. Smith's property); 76.0 m. from cor.of sec.14, 15, 22, & 23. BM is 5in N.of Enid Tri.Sta. & is marked by head of a nail driven flush with bottom of square. Note 22. El. 1263.357 ft.

O Garfield Co., At N.Enid; on SE.cor.of foundation stone of E.one of outer supports on S.side of RR W.T. Note 5. El. 1249.925 ft.

N-Garfield Co., At Enid; at E.entrance of 1st. Natl.Bank; on Broadway St., on N.end of lowest step; about 4 in.from N.column to arch of doorway; 5 in.above sidewalk. Note 5. El. 1247.179 ft.

M-Garfield Co., At Enid; 1600.0 ft.N.of CRI&P RR depot; in NE.cor. of S.conc.abutment to bridge (1902); 9 in from E.& N.edges of conc. Note 35. El. 1237.432 ft.

For additional elevations in vicinity of Enid, see USC&GS lines #7, 15, & Traverse 7-C, 7-D, 9-A, & 15-B.

Waukomis E., Garfield Co., 0.5 mi.NW.of Waukomis; 210.050 m. E.of Waukomis Tri.Sta., in NE.cor.of J.Crick's garden; near public road; BM is flat part of conc.near projecting point of spike used as reference mark for Waukomis Tri. Sta. El. 1261.825 ft.

For additional elevations in vicinity of Waukomis, see Traverse 15-B.

Waukomis Tri.Sta., Garfield Co., 0.5 mi.NW.of Waukomis; in sec.23, T21N, R7W; on property of J.Crick's; about 100 m. NW.of dwelling. BM is 5 in.W.of Tri.Sta., Note 22. El. 1275.332 ft.

L-Garfield Co., At Waukomis; in large brick public school bldg. on W.side; in NW.cor.plaster; 9 in from cor. & 4.0 ft.above ground; in center of a brick. Note 8 El. 1264.177 ft.

K Garfield Co., At Bison; between 6th & 7th poles N.of CRI&P RR depot; 10.0 ft.from 7th pole & 1 pole S.of switch stand. Note 12. El. 1240.165 ft.

J Kingfisher Co., At Hennessey; on S.N.Bree's (1901) brick bldg; near cor.of Main St.& Oklahoma Ave., near base of iron column at left of entrance; center of sq.formed by edge of base plate & 2 chisel marks. El. 1162.596 ft.

I Kingfisher Co., At Hennessey; on NW.cor.of SE.pier supporting central part of CRI&P RR W.T. Note 5 El. 1162.196 ft.

H Kingfisher Co., At Dover; on SW.cor.of base stone of NW.pier supporting outer part of CRI&P RR W.T. Note 5. El. 1033.909 ft.

G Kingfisher Co., At Kingfisher; on E.side of Kingfisher Natl.Bank on window sill of 3rd window from cor., 8 in.from S.edge of sill. Note 5. El. 1056.389 ft.

F Kingfisher Co., At Kingfisher; on S.cor.of iron shoe plate on conc., on which rests S.steel column supporting standpipe of City water plant; square bounded by plate & 2 chisel marks. El. 1057.370 ft.

For additional elevations in vicinity of Kingfisher, see USC&GS lines #21-A & 21-B & Traverse 15-A.

E Kingfisher Co., At Kingfisher; on NE.cor.of SE.pier supporting central part of W.T. Note 5. El. 1053.026 ft.

D Canadian Co., At Okarche; 6 telegraphs poles N.of CRI&P RR depot; 3½ poles S.of MP.#338; in an angle of fence; 30.0 ft.W.from & 6.0 ft. above tracks. Note 12. El. 1239.289 ft.

C Canadian Co., At Darling; in SE.cor.of NE.pier supporting central part of CRI&P RR W.T. Note 5. El. 1336.438 ft.

1327 El Reno; Canadian Co., at crossing of E-W & N-S main line of CRI&P RR in S.part of El Reno; 54.0 ft.S.of E-W line; 44.0 ft.E.of N-S line; an iron post marked 1327. Note 17. El. 1328.941 ft.

For additional elevations in vicinity of El Reno, see USC&GS line #25 & Traverse 20-A, 20-B.

1357 El Reno; Canadian Co., on NE. face of 1st. Natl. Bank; on right hand side of entrance; on 2nd stone above sidewalk. Note 17.

El. 1358.947 ft.

U. S. Coast & Geodetic Survey - First-Order Leveling
Line 34-A; Medford, Oklahoma to Carthage, Missouri
Grant County

A-13 1933; Grant Co., At Medford; at S. yard of Co. C.H. square; about 8.0 yds. N. of curb & about 5.0 yds. W. of entrance walk. Conc. post. Note 1. El. 1094.256 ft.

For additional elevations in vicinity of Medford, see USC&GS line # 34.

B-13 1933; Grant Co., about 2.0 mi. N. along CRI&P RR from Medford; midway between poles # 309-23 & 309-24; at center of triangle formed by US. Hwy. #81 & dirt roads crossing track, about 16.0 yds. N. of crossing; about 23.0 yds. W. of C/L track & about 18.0 yds. E. of C/L of hwy. Conc. post. Note 1. El. 1122.501 ft.

C-13 1933; Grant Co., about 4.0 mi. N. along CRI&P RR from Medford; about 0.5 mi. N. of Dist. 44 schoolhouse; about 4.0 yds. S. of pole #307-21; 13.0 yds. W. of C/L of crossroad; 12.0 yds. NW. of C/L track in line with a row of poles. Conc. post. Note 1. El. 1165.706 ft.

D-13 1933; Grant Co., about 2.75 mi. S. along CRI&P RR from Renfrow; 6.0 yds. N. of pole #305-19, about 53.0 yds. S. of center of crossing; 12.0 yds. W. of C/L track in line with row of poles. Conc. post. Note 1.

El. 1183.757 ft.

E-13 1933; Grant Co., about 1.0 mi. S. along CRI&P RR from Renfrow; between poles #303-32 & 303-33 at a conc. culvert in top of E. headwall; 1.0 ft. W. of E. face & 1.0 ft. N. of S. end. Note 1. El. 1173.295 ft.

F-13 1933; Grant Co., At Renfrow; about 200.0 yds. S. of CRI&P RR depot; 2.0 yds. E. of pole #302-29, at S. switch of grain elevator siding; 18.0 yds. W. of C/L of main track; Conc. post. Note 1. El. 1207.813 ft.

For additional elevations in vicinity of Renfrow, see Traverse 7-A 8-B & 10-B.

G-13 1933; Grant Co., about 2.0 mi. N. along CRI&P RR from Renfrow about 0.25 mi. N. of Dist #21, schoolhouse; 4.0 yds. S. of pole #300-31, about 40.0 yds. N. of entrance to field, about 12.0 yds. W. of C/L of track; 3.0 yds. E. of fence in line with row of poles; Conc. post. Note 1.

El. 1225.477 ft.

H-13 1933; Grant Co., about 3.0 mi. N. along CRI&P RR from Renfrow; near pole #299-24; at bridge #299.8; in top of W. conc. wingwall of S. abutment; 3.0 yds. W. of C/L of track & 2.0 ft. lower than rail. Note 1.

El. 1201.195 ft.

J-13 1933; Grant Co., About 3.25 mi. S. along CRI&P RR from Caldwell, Kansas; about 0.75 mi. S. of Kansas-Oklahoma State Line; about 4.0 yds. S. of pole #297-25; 144.0 yds. N. of crossroad; 10.0 yds. W. of C/L of track & in line with a row of poles. Conc. post. Note 1. El. 1201.018 ft.

TT 73-L (USGS) Grant Co., about 3.0 mi. S. of Caldwell, Kansas; 1.0 mi. S. of viaduct over CRI&P RR at Kansas-Oklahoma State Line; 0.5 mi. E. of tracks; 57.0 yds. E. of SW. cor. sec. 14; 10.0 yds. N. of C/L of an E-W road. Conc. post. El. 1210.434 ft.

U. S. Coast & Geodetic Survey - Second Order Leveling
Line # 47, Orienta to Belva
Major County

B-112 1935; Major Co., At Orienta, 63.0 ft.S.of AT&SF RR depot;
25.0 ft.E.of nearest rail of main track. Conc.post. Note 1.
El. 1245.447 ft.

For additional elevations in vicinity of Orienta see USC&GS line #
14, & Traverse 7-E & 10-D. (Traverse 10-D runs parallel with this line)

Q-113 1935; Major Co., 2.3 mi.W.of AT&SF RR depot in Orienta; 54.0
ft.S.of C/L OK.Hwy.#15; 30.0 ft.E.of C/L sec.line road. Conc.post. Note
1. El. 1273.272 ft.

R-113 1935; Major Co., 4.3 mi.W.of AT&SF RR depot in Orienta; 120.0
ft.W.of sec.line road; 15.0 ft.N.of C/L OK.Hwy.#15; set in E.end N.head
wall of 25.0 ft.conc.culvert. Note 1. El. 1311.533 ft.

S-113 1935; Major Co., 6.0 mi.W.of AT&SF RR depot in Orienta; 0.25
mi.W.of top of passover ridge; 15.0 ft.S.of C/L OK.Hwy.#15; set on E.
end S.headwall of conc.culvert. El. 1372.599 ft.

T-113 1935; Major Co., 7.8 mi.W.of AT&SF RR depot in Orienta, 0.2
mi.W.of conc.bridge over creek; 50.0 ft.N.of C/L OK.Hwy.#15; 36.0 ft.E.
of C/L sec.line road. Conc.post. Note 1. El. 1315.680 ft.

U-113 1935; Major Co., 9.8 mi.W.of AT&SF RR depot in Orienta; 45.0
ft.N.of C/L of proposed road; 40.0 ft.W.of C/L OK.Hwy.#15, where hwy.
makes right angle curve. Conc.post. Note 1. El. 1349.423 ft.

V-113 1935; Major Co., 11.9 mi.NW.of AT&SF RR depot in Orienta;
0.13 mi.W.of sec.line road to N., 0.1 mi.NW.of unpainted house at top of
first small rise; 45.0 ft.N.of C/L OK.Hwy.#15. Conc.post. Note 1.
N.B.: OK Hwy.#15 has been re-routed S. of Belva. El. 1392.471 ft.

W-113 1935; Major Co., 14.1 mi.NW.of AT&SF RR depot in Orienta; 45.0
ft.N.of C/L sec.line road; 40.0 ft.W.of C/L OK.Hwy.#15 where hwy.makes a
right angle curve. Conc.post. Note 1. El. 1357.727 ft.

X-113 1935; Major Co., 16.1 mi.NW.of AT&SF RR depot, Orienta; 325.0
ft.SE.of yellow farmhouse; 40.0 ft.E.of C/L OK.Hwy.#15; 33.0 ft.S.of C/L
sec.line road. Conc.post. Note 1. El. 1332.809 ft.

Y-113 1935; Major Co., 17.6 mi.SE.of AT&SF RR depot in Belva; 86.0
ft.SW.of small white house; 38.0 ft.E.of C/L sec.line road; 33.0 ft.N.of
C/L OK.Hwy.#15; 12.0 ft.NE.of group of mail boxes. Conc.post. Note 1.
El. 1383.737 ft.

Z-113 1935; Major Co., 15.4 mi.SE.of AT&SF RR depot in Belva; 255.0
ft.W.of steel bridge over creek; 40.0 ft.S.of C/L OK.Hwy.#15; Conc.post.
Note 1. El. 1352.848 ft.

A-114 1935; Major Co., 13.4 mi.SE.of AT&SF RR depot in Belva; 217.0
ft.N.of conc.culvert; 45.0 ft.W.of C/L OK.Hwy.#15. Conc.post. Note 1.
El. 1363.783 ft.

B-114 1935; Major Co., 11.0 mi.SE.of AT&SF RR depot in Belva; 240.0
ft.SW.of where creek empties into Cimarron River; 179.0 ft.W.of wooden
bridge over creek; 42.0 ft.S.of C/L OK.Hwy.#15. Conc.post. Note 1.
El. 1344.344 ft.

C-114 1935; Major Co., 9.4 mi.SE.of AT&SF RR depot in Belva; 38.0
ft.S.of C/L OK.Hwy.#15; 30.0 ft.S.of C/L sec.line road. Conc.post. Note
1. El. 1405.273 ft.

For additional elevations in vicinity of Belva see Traverse 10-D.

Campbell Azimuth 1934; Major Co., 6.7 mi.SE.of AT&SF RR depot in
Belva; 135.0 ft.SE.of Lone Star School; 56.0 ft.W.of C/L OK.Hwy's.#14 &
#15; in S.fence of school yard. Azimuth disk in conc.post.
El. 1427.720 ft.

D-114 1935; Major Co., 4.4 mi.E. of AT&SF RR depot in Belva; 33.0 ft.W. of C/L sec. line road; 30.0 ft.N. of C/L OK.Hwy.#15. Conc.post. Note 1. El. 1442.914 ft.

E-114 1935; Major Co., 2.3 mi.E. of AT&SF RR depot in Belva; 300.0 ft.E. of wooden bridge on OK.Hwy.#15, over creek; 56.0 ft.N. of C/L OK.Hwy.#15; 30.0 ft.W. of C/L sec. line road. Conc.post. El. 1439.918 ft.

For additional elevations in vicinity of Belva, see USC&GS line # 7 & Traverse 10-D.

U. S. Coast & Geodetic Survey - Second-Order Levels
Line #61; Kiowa, Kansas to Cherokee, Oklahoma
Alfalfa County

D-110 1934; Alfalfa Co., 2.6 mi.SE. of AT&SF RR depot at Kiowa, Kansas; 125.0 ft.SE. of AT&SF RR bridge "A"; 90.0 ft.NE. of near rail; 15.0 ft.S. of C/L sec. line road; in W. end of S. headwall of conc. culvert. Note 1. El. 1282.642 ft.

E-110 1934; Alfalfa Co., 4.3 mi.NW. of AT&SF RR depot at Burlington; 0.35 mi.S. of MP.#4; 50.0 ft.NE. of near rail; 30.0 ft.S. of C/L sec. line road; conc.post. Note 1. El. 1239.397 ft.

F-110 1934; Alfalfa Co., 2.1 mi.NW. of AT&SF RR depot at Burlington; 0.3 mi.NW. of MP.#7; 42.0 ft.SE. of near rail; 30.0 ft.N. of C/L sec. line road. Conc.post. Note 1. El. 1225.145 ft.

G-110 1934; Alfalfa Co., At Burlington; 67.0 ft.W. of AT&SF RR depot; 0.15 mi.NW. of MP.#9; 50.0 ft.SW. of near rail main track; 40.0 ft.E. of C/L road. Conc.post. Note 1. El. 1217.553 ft.

H-110 1934; Alfalfa Co., 1.3 mi.SE. of AT&SF RR depot at Burlington; 0.1 mi.SE. of MP.#10; 42.0 ft.SW. of near rail; 38.0 ft.W. of C/L sec. line road; inside fence cor. Conc.post. Note 1. El. 1207.967 ft.

For additional elevations in vicinity of Burlington, see Traverse 8-H.

J-110 1934; Alfalfa Co., 3.4 mi.SE. of AT&SF RR depot at Burlington; 0.12 mi.SE. of MP.#12; 50.0 ft.SW. of near rail; 30.0 ft.N. of C/L sec. line road; Conc.post. Note 1. El. 1197.078 ft.

K-110 1934; Alfalfa Co., 5.2 mi.NW. of AT&SF RR depot at Cherokee; 0.3 mi.S. of MP.#14 & jct. of CRI&P RR & AT&SF RR; 40.0 ft.SW. of near rail; 36.0 ft.N. of sec. line road; conc.post. Note 1. El. 1197.973 ft.

L-110 1934; Alfalfa Co., 3.9 mi.NW. of AT&SF RR depot at Cherokee; 66.0 ft.N. of 9th pole N. of MP.#16; 50.0 ft.W. of near rail; 36.0 ft.N. of C/L sec. line road; Conc.post. Note 1. El. 1185.775 ft.

M-110 1934; Alfalfa Co., 1.9 mi.NW. of AT&SF RR depot at Cherokee; 0.23 mi.N. of MP.#18; 45.0 ft.E. of near rail; 30.0 ft.S. of C/L sec. line road. Conc.post. Note 1. El. 1184.942 ft.

J-111 1934; Alfalfa Co., At Cherokee; 0.3 mi.NW. of AT&SF RR depot; 0.1 mi.NE. of MP.#300; 210.0 ft.E. of Cherokee water & light plant; 66.0 ft.S. of intersection of two AT&SF lines on division to Kiowa. Conc. post. Note 1. El. 1181.362 ft.

For additional elevations in vicinity of Cherokee, see USC&GS line #14 & Traverse 8-C.

U. S. Coast & Geodetic Survey - Second-Order Levels
Line # 63; Harper, Kansas to Avard, Oklahoma
Alfalfa, Woods Counties

Y-110 1934; Alfalfa Co., 2.0 mi.SW. of AT&SF RR depot, Kiowa, Kansas; 50.0 ft.SE. of nearest rail; 50.0 ft.SW. of 6th pole NE. of MP.#309; 45.0

- ft.E.of sec.line road. Conc.post. Note 1. El. 1314.764 ft.
 RV-12 1934; Woods Co., Oklahoma, 3.6 mi.SW.of AT&SF RR depot at
 Kiowa, Kansas; in base of RR signal block #310-2. Monel metal rivet set
 by AT&SF RR. El. 1290.457 ft.
- X-110 1934; Woods Co., 4.0 mi.SW.of AT&SF RR depot at Kiowa, Kansas;
 50.0 ft.W.of C/L sec.line road; 45.0 ft.SE.of nearest rail; 30.0 ft.S.
 of 8th pole NE.of MP.#311. Conc.post. Note 1. El. 1278.121 ft.
- W-110 1934; Woods Co., 3.7 mi.NE.of AT&SF RR depot at Capron; 120.0
 ft.NW.of 9th pole NE.of MP.#313; 60.0 ft.W.of nearest rail; 40.0 ft.S.of
 C/L sec.line road. Conc.post. Note 1. El. 1267.271 ft.
- V-110 1934; Woods Co., 1.9 mi.NE.of AT&SF RR depot at Capron; 750.0
 ft.SW.of RR bridge #314-A; 100.0 ft.E.of nearest rail; 60.0 ft.W.of C/L
 sec.line road; on top of small knoll in SW.sec.cor. Conc.post. Note 1.
 El. 1271.142 ft.
- RV-13 1934; Woods Co., At Capron; in base of signal block #310-2
 of AT&SF RR. Monel metal rivet set by AT&SF RR. El. 1292.773 ft.
- U-110 1934; Woods Co., At Capron; 168.0 ft.NE.of AT&SF RR depot;
 30.0 ft.W.of near rail. Conc.post. Note 1. El. 1290.903 ft.
- T-110 1934; Woods Co., 2.3 mi.SW.of AT&SF RR depot at Capron; 120.0
 ft.NW.of 14th pole NE.of MP.#319; 90.0 ft.N.of RR & sec.line road; 57.0
 ft.NW.of nearest rail. Conc.post. Note 1. El. 1302.858 ft.
- S-110 1934; Woods Co., At Brink; 4.0 mi.NE.of AT&SF RR depot; 450.0
 ft.W.of RR & OK.Hwy.#42 crossing; 170.0 ft.NW.of 8th post NE.of MP.#321;
 90.0 ft.NW.of nearest rail; 2.0 ft.SE.of fence line. Conc.post. Note 1.
 El. 1348.498 ft.
- RV-14 1934; Woods Co., 3.6 mi.NE.of AT&SF RR depot at Alva; in base
 of AT&SF RR signal block #316-2. Monel metal rivet set by AT&SF RR.
 El. 1350.880 ft.
- RV-15 1934; Woods Co., 2.6 mi.NE.of AT&SF RR depot at Alva; in AT
 & SF RR bridge #322-B; in E.end of N.abutment. Monel metal rivet set by
 AT&SF RR. El. 1319.856 ft.
- R-110 1934; Woods Co., 1.6 mi.NE.of AT&SF RR depot at Alva; 60.0 ft.
 S.of nearest rail; 45.0 ft.NW.of 8th pole W.of MP.#323, 45.0 ft.E.of OK.
 Hwy.#14. Conc.post. Note 1. El. 1315.654 ft.
- RV-16 1934; Woods Co., At Alva; 0.3 mi.E.of AT&SF RR depot; in base
 of RR signal block #324-2. Monel metal rivet set by AT&SF RR.
 El. 1345.814 ft.
- Q-110 1934; Woods Co., At Alva; 30.0 ft.E.of SW.cor.of AT&SF RR
 depot; 6 in.above ground, in S.wall of foundation. Note 1.
 El. 1351.192 ft.
- For additional elevations in vicinity of Alva, see Traverse 8-C &
 8-D.
- R-V-17 1934; Woods Co., 0.4 mi.SW.of AT&SF RR depot at Alva; in
 NE.cor.of N.headwall of AT&SF RR bridge #325-A. Monel metal rivet set
 by AT&SF RR. El. 1354.144 ft.
- P-110 1934; Woods Co., 1.7 mi.SW.of AT&SF RR depot at Alva; 70.0
 ft.E.of nearest rail; 50.0 ft.N.of C/L sec.line road; 40.0 ft.SW.of 20th
 pole NE.of MP.#327. Conc.post. Note 1. El. 1394.518 ft.
- RV-18 1934; Woods Co., 2.5 mi.SW.of AT&SF RR depot at Alva; in NE.
 cor.of N.headwall of AT&SF RR bridge #327-A. Monel metal rivet set by
 AT&SF RR. El. 1414.085 ft.
- RV-19 Woods Co., 3.7 mi.SW.of AT&SF RR depot at Alva; in base of
 AT&SF RR signal block #328-2. Monel metal rivet set by AT&SF RR.
 El. 1455.233 ft.
- N-110 1934; Woods Co., 4.1 mi.SW.of AT&SF RR depot at Alva; 0.3 mi.
 NE.of Noel, 120.0 ft.N.of 5th pole NE.of MP.#329; 58.0 ft.NW.of nearest
 rail., 45.0 ft.S.of C/L sec.line road. Conc.post. Note 1.
 El. 1465.666 ft.
- R-109 1934; Woods Co., 5.0 mi.NE.of Avard AT&SF RR depot; 55.0 ft.
 N.of 7th pole NE.of MP.#331. 40.0 ft.SE.of nearest rail; 30.0 ft.W.of C/L

sec.line road. Conc.post. Note 1. El. 1501.906 ft.
 Z-103 1934; Woods Co., 3.4 mi.NE.of Avard AT&SF RR depot; 460.0 ft.
 SW.of AT&SF RR bridge #332-A; 65.0 ft.NW.of nearest rail; 30.0 ft.E.of
 sec.line road; in NE.sec.cor. Conc.post. Note 1. El. 1491.208 ft.
 RV-20 1934; Woods Co., 1.7 mi.NE.of Avard AT&SF RR depot in N.end
 of E.pier of AT&SF RR bridge #334-A. Monel metal rivet set by AT&SF RR.
 El. 1465.739 ft.
 Y-103 1934; Woods Co., At Avard; 150.0 ft.S.of AT&SF RR depot; 65.0
 ft.E.of near rail of main track. Conc.post. Note 1.
 El. 1481.096 ft.

For additional elevations in vicinity of Avard, see USC&GS line #7
 & Traverse 8-D.

U. S. Coast & Geodetic Survey - Second-Order Levels
 Line # 67; Guymon, Oklahoma to Clayton, New Mexico
 Texas & Cimarron Counties
 (Unadjusted Elevations)

H-23 1933; See USC&GS line # 24.

For additional elevations in vicinity of Guymon, see USC&GS lines
 #18, 20, & 69. See O.G.S. Bull. 59, PL.I for some monument locations.

E-72 1935; Texas Co., 4.9 mi.N.of Guymon; about 200.0 ft.NW.of hwy.
 curve sign; 2.0 ft.NW.of gate to Cimarron Utilities Co. No. 1 Gas well;
 48.0 ft.SW.of C/L US.Hwy.#64. Conc.post. Note 1. El. 3034.108 ft.
 F-74 1935; Texas Co., 6.1 mi.NW.of Guymon; 19.0 ft.S.of C/L US.Hwy.
 #64 on curve in hwy. on S.curb, at E.end of a conc.box culvert. Note
 1. El. 3100.682 ft.
 F-72 1935; Texas Co., 7.0 mi.NW.of Guymon; 21.0 ft.N.of C/L US.Hwy.
 #64; on N.curb at W.end of conc.box culvert; 200.0 ft.E.of fence cor.,
 set in culvert. Note 1. El. 3091.947 ft.
 G-74 1935; Texas Co., 7.9 mi.NW.of Guymon; 21.0 ft.S.of C/L US.Hwy.
 #64; on S.curb at E.end of conc.box culvert, about 110.0 ft.W.of fence.
 set in culvert. Note 1. El. 3104.505 ft.
 G-72 1935; Texas Co., 8.9 mi.NW.of Guymon; 95.0 ft.N.of C/L US.Hwy.
 #64; in yard of Easterwood School; 42.0 ft.E.of C/L cross road; 2.0 ft.
 E.of flag pole. Conc.post. Note 1. El. 3158.253 ft.
 H-74 1935; Texas Co., 9.8 mi.NW.of Guymon; 18.5 ft.S.of C/L US.Hwy.
 #64; 0.2 mi.E.of cross road; on S.curb of conc.box culvert. Note 1.
 El. 3171.977 ft.
 H-72 1935; Texas Co., 11.0 mi.NW.of Guymon; 48.0 ft.N.of C/L US.
 Hwy.#64; 2.0 ft.SW.of fence cor. Conc.post. Note 1. El. 3215.146 ft.
 J-74 1935; Texas Co., 12.0 mi.NW.of Guymon; 50.0 ft.S.of C/L US.
 Hwy.#64; 37.0 ft.E.of C/L cross road; 2.0 ft.E.of fence cor. Note 1.
 Conc.post. El. 3270.347 ft.
 J-72 1935; Texas Co., 13.0 mi.NW.of Guymon; 50.0 ft.N.of C/L US.
 Hwy.#64 at intersection of cross road to Goodwell (Panhandle A & M
 College) 2.0 ft.W.of telephone pole. Note 1. Conc.post.
 El. 3288.820 ft.
 K-74 1935; Texas Co., 14.0 mi.W.of Guymon; 48.0 ft.N.of C/L US.Hwy.
 #64; 85.0 ft.E.of C/L of cross road; 1.0 ft.S.of telephone pole. Note 1
 Conc.post. El. 3308.449 ft.
 K-72 1935; Texas Co., 15.1 mi.W.of Guymon; 50.0 ft.N.of C/L US.Hwy.
 #64; 55.0 ft.W.of C/L of a cross road; 2.0 ft.E.of telephone pole. Note
 1. Conc.post. El. 3317.419 ft.
 L-74 1935; Texas Co., 16.1 mi.W.of Guymon; 48.0 ft.S.of C/L US.Hwy.
 #64; 15.0 ft.W.of C/L of cross road; 2.0 ft.N.of fence cor. Conc.post.
 Note 1. El. 3341.510 ft.
 L-72 1935; Texas Co., 17.0 mi.W.of Guymon; 50.0 ft.N.of US.Hwy.#
 64; 35.0 ft.W.of C/L of cross road; 120.0 ft.NE.of school bldg., 2.0 ft.

- W.of telephone pole. Conc.post. Note 1. El. 3367.360 ft.
M-74 1935; Texas Co., 18.0 mi.W.of Guymon; 48.0 ft.N.of C/L US.Hwy.
#64; 50.0 ft.E.of cross road, 2.0 ft.S.of telephone pole. Note 1. Conc.
post. El. 3376.770 ft.
M-72 1935; Texas Co., 19.0 mi.W.of Guymon; 52.0 ft.N.of C/L US.Hwy.
#64; 29.0 ft.W.of C/L of cross road; 2.0 ft.NE.of fence cor., Conc.post.
Note 1. El. 3375.626 ft.
N-74 1935; Texas Co., 20.1 mi.W.of Guymon; 18.5 ft.S.of C/L US.Hwy.
#64; 0.1 mi.W.of cross road, on S.curb of conc.box culvert. Note 1.
El. 3390.325 ft.
N-72 1935; Texas Co., 21.1 mi.W.of Guymon; 50.0 ft.N.of C/L US.Hwy.
#64 at cross roads; 155.0 ft.NW.of NW.cor.of schoolhouse; 2.0 ft.W.of
telephone pole. Conc.post. Note 1. El. 3423.601 ft.
P-74 1935; Texas Co., 22.0 mi.W.of Guymon; 18.5 ft.S.of C/L US.Hwy.
#64, 50.0 ft.E.of C/L of cross road on S.curb at E.end of conc.box cul-
vert. Note 1. El. 3435.500 ft.
P-72 1935; Texas Co., 23.0 mi.W.of Guymon; at intersection of US.
Hwy.#64 & road to Texhoma; 50.0 ft.N.of C/L of Hwy., 45.0 ft.E.of C/L of
crossroad. Conc.post. Note 1. El. 3460.947 ft.
Q-74 1935; Texas Co., 24.1 mi.W.of Guymon; 18.5 ft.S.of C/L US.Hwy.
#64; 0.1 mi.W.of cross road, on S.curb at E.end of conc.box culvert. Note
1. El. 3481.340 ft.
Q-72 1935; Texas Co., 25.0 mi.W.of Guymon; 53.0 ft.S.of C/L US.Hwy.
#64; 30.0 ft.W.of C/L of cross road, 100.0 ft.NE.of NE.cor.brick house;
3.0 ft.S.of fence cor. Conc.post. Note 1. El. 3498.831 ft.
R-74 1935; Texas Co., 26.0 mi.W.of Guymon; 18.5 ft.S.of C/L US.Hwy.
#64; E.of cross road in S.curb at E.end of a conc.box culvert. Note 1.
El. 3500.027 ft.
R-72 1935; Texas Co., 27.0 mi.W.of Guymon; 105.0 ft.N.of C/L US.Hwy.
#64 at intersection with cross road from Eva to Rice; 33.0 ft.W.of C/L
of cross road; 3.0 ft.SW.of telephone pole. Conc.post. Note 1.
El. 3526.367 ft.
S-72 1935; Texas Co., 28.0 mi.W.of Guymon; 52.0 ft.S.of C/L US.Hwy.
#64; 33.0 ft.E.of C/L of cross road to New Town of Eva; 3.0 ft.E.of tel-
ephone guy pole. Conc.post. Note 1. El. 3546.102 ft.
S-74 1935; Texas Co., 29.0 mi.W.of Guymon; 20.0 ft.S.of C/L US.Hwy.
#64; 65.0 ft.W.of sec.line fence, on S.curb at E.end of a conc.box cul-
vert. Note 1. El. 3582.778 ft.
T-72 1935; Texas Co., 30.0 mi.W.of Guymon; 50.0 ft.N.of C/L US.Hwy.
#64; 400.0 ft.W.of white house; 45.0 ft.E.of C/L of cross road; 2.0 ft.
W.of telephone pole. Conc.post. Note 1. El. 3608.603 ft.
T-74 1935; Texas Co., 31.0 mi.W.of Guymon; 20.0 ft.S.of C/L US.Hwy.
#64; 0.1 mi.E.of sec.line fence, on S.curb at E.end of conc.box culvert.
Note 1. El. 3597.643 ft.
U-72 1935; Texas Co., 30.4 mi.E.of Boise City; 32.1 mi.W.of Guymon;
50.0 ft.N.of C/L US.Hwy.#64; 2.0 ft.W.of telephone pole; 400.0 ft.SW.of
shingle house; 130.0 ft.W.of C/L of cross road; Conc.post. Note 1.
El. 3614.519 ft.
U-74 1935; Texas Co., 29.5 mi.E.of Boise City; 50.0 ft.N.of C/L US.Hwy.
#64; 85.0 ft.E.of sec.line fence; 2.0 ft.W.of telephone pole. Conc.post.
Note 1. El. 3644.330 ft.
V-72 1935; Texas Co., 28.5 mi.E.of Boise City; 50.0 ft.N.of C/L US.
Hwy.#64; 0.6 mi.E.of Cottonwood station, at cross road; 3.0 ft.E.of tel-
ephone pole. Conc.post. Note 1. El. 3669.389 ft.
V-74 1935; Texas-Cimarron Counties; 27.5 mi.E.of Boise City; 50.0
ft.N.of C/L US.Hwy.#64; 2.0 ft.W.of telephone pole. Note 1. Conc.post.
El. 3690.743 ft.
W-72 1935; Cimarron Co., 26.5 mi.E.of Boise City; 20.0 ft.S.of C/L
US.Hwy.#64; 200.0 ft.W.of C/L of cross road; in S.curb at E.end of conc.
box culvert. Note 1. El. 3710.928 ft.
W-74 1935; Cimarron Co., 25.5 mi.E.of Boise City; 20.0 ft.S.of C/L

- US.Hwy.#64; 180.0 ft.W.of C/L of cross road, on S.curb at E.end of conc. box culvert. Note 1. El. 3733.848 ft.
- X-72 1935; Cimarron Co., 24.5 mi.E.of Boise City; 50.0 ft.N.of C/L US.Hwy.#64; 2.0 ft.W.of telephone pole, at cross road; 30.0 ft.W.of C/L of culvert. Conc.post. Note 1. El. 3772.927 ft.
- X-74 1935; Cimarron Co., 23.5 mi.E.of Boise City; 50.0 ft.N.of C/L US.Hwy.#64; W.of very dim cross road; 2.0 ft.W.of telephone pole. Conc. post. Note 1. El. 3804.416 ft.
- Y-72 1935; Cimarron Co., 22.5 mi.E.of Boise City; 50.0 ft.N.of C/L US.Hwy.#64; 50.0 ft.E.of C/L cross road; 2.0 ft.E.of telephone pole. Conc.post. Note 1. El. 3841.799 ft.
- Y-74 1935; Cimarron Co., 21.5 mi.E.of Boise City; 48.0 ft.N.of C/L US.Hwy.#64; 38.0 ft.E.of C/L of cross road; 10.0 ft.W.of telephone pole, 2.0 ft.S.of fence line. Conc.post. Note 1. El. 3857.564 ft.
- Z-72 1935; Cimarron Co., 20.5 mi.E.of Boise City; 20.0 ft.N.of C/L US.Hwy.#64; 95.0 ft.E.of C/L of cross road on conc.curb at W.end of box culvert. Note 1. El. 3863.377 ft.
- Z-74 1935; Cimarron Co., 19.8 mi.E.of Boise City; 20.0 ft.S.of C/L US.Hwy.#64; 0.3 mi.E.of cross road, on S.curb at E.end of conc.box culvert. Note 1. El. 3871.215 ft.
- A-73 1935; Cimarron Co., 18.5 mi.E.of Boise City; 50.0 ft.N.of C/L US.Hwy.#64; 40.0 ft.E.of C/L of cross road; 2.0 ft.E.of telephone pole. Note 1. Conc.post. El. 3891.750 ft.
- B-73 1935; Cimarron Co., 16.5 mi.E.of Boise City; 50.0 ft.N.of C/L US.Hwy.#64; 1.0 mi.E.of intersection with road to Keyes; 100.0 ft.E.of C/L of a cross road; 2.0 ft.E.of telephone pole. Conc.post. Note 1. El. 3919.683 ft.
- C-73 1935; Cimarron Co., 14.5 mi.E.of Boise City; 50.0 ft.S.of C/L US.Hwy.#64; 98.0 ft.E.of C/L of cross road; 1.5 ft.E.of telephone pole. Conc.post. Note 1. El. 3959.557 ft.
- D-73 1935; Cimarron Co., 12.4 mi.E.of Boise City; 20.0 ft.N.of C/L US.Hwy.#64; 0.2 mi.W.of Willow Bar Service Station; on N.curb at W.end of a conc.box culvert. Note 1. El. 3967.669 ft.
- E-73 1935; Cimarron Co., 10.5 mi.E.of Boise City; 50.0 ft.S.of C/L US.Hwy.#64; 40.0 ft.E.of C/L of a cross road; 10.0 ft.E.of fence cor., 2.0 ft.E.of telephone pole. Conc.post. Note 1. El. 4004.432 ft.
- F-73 1935; Cimarron Co., 8.5 mi.E.of Boise City; 62.0 ft.S.of C/L US.Hwy.#64; 12.0 ft.S.of a fence cor., 2.0 ft.W.of sec.line fence. Note 1. Conc.post. El. 4034.975 ft.
- G-73 1935; Cimarron Co., 8.0 mi.E.of Boise City; 50.0 ft.S.of C/L US.Hwy.#64; 47.0 ft.E.of C/L of cross road; 2.5 ft.W.of telephone pole. Note 1. El. 4074.375 ft.
- H-73 1935; Cimarron Co., 6.0 mi.E.of Boise City; 50.0 ft.S.of C/L US.Hwy.#64; 65.0 ft.E.of C/L cross road; 3.0 ft.W.of telephone pole. Note 1. Conc.post. El. 4108.403 ft.
- J-73 1935; Cimarron Co., 4.0 mi.E.of Boise City; 50.0 ft.S.of C/L US.Hwy.#64; 90.0 ft.E.of C/L of cross road; 3.0 ft.W.of telegraph pole. Conc.post. Note 1. El. 4141.899 ft.
- K-73 1935; Cimarron Co., 2.0 mi.NE.of Boise City; 48.5 ft.E.of C/L US.Hwy.#64; 60.0 ft.S.of C/L of cross road; 1.5 ft.W.of fence post. Note 1. Conc.post. El. 4155.023 ft.
- Boise City 1935; Cimarron Co., At Boise City; at E.side of C.H. lawn; 23.0 ft.E.of E.wall of bldg., 16.0 ft.W.of W.curb on E.side of square; 11.0 ft.S.of NE.cor.of C.H., Conc.post. Note 1. El. 4164.572 ft.
- L-73 1935; Cimarron Co., 2.0 mi.W.of Boise City; 100.0 ft.S.of C/L US.Hwy.#64; 16.0 ft.E.of C/L cross road; in E.curbing at S.end of a large conc.box culvert. Note 1. El. 4210.114 ft.
- M-73 1935; Cimarron Co., 4.0 mi.W.of Boise City; 73.0 ft.N.of C/L US.Hwy.#64; 55.0 ft.E.of C/L cross road; 2.0 ft.S.of fence line. Conc. post. Note 1. El. 4253.476 ft.

N-73 1935; Cimarron Co., 6.0 mi.W.of Boise City; 62.0 ft.S.of C/L US.Hwy.#64; 13.0 ft.E.of C/L of cross road; on E.curb at N.end of conc. box culvert. Note 1. El. 4254.748 ft.

P-73 1935; Cimarron Co., 8.0 mi.W.of Boise City; 76.5 ft.N.of C/L US.Hwy.#64; 36.0 ft.E.of cross road; 1.5 ft.W.of sec.line fence. Conc. post. Note 1. El. 4307.653 ft.

Q-73 1935; Cimarron Co., 10.0 mi.W.of Boise City; 76.5 ft.S.of C/L US.Hwy.#64; 2.0 ft.SE.of fence cor. Conc.post. Note 1. El. 4359.226 ft.

R-73 1935; Cimarron Co., 10.1 mi.E.of Wheelless; 12.0 mi.W.of Boise City; 25.0 ft.S.of C/L US.Hwy.#64; 120.0 ft.E.of sec.line fence; on S. conc.curbing at E.end of a box culvert. Note 1. El. 4434.886 ft.

S-73 1935; Cimarron Co., 8.1 mi.E.of Wheelless; 63.0 ft.N.of C/L US.Hwy.#64; on E.curbing at S.end of conc.culvert. Note 1. El. 4474.786 ft.

T-73 1935; Cimarron Co., 6.1 mi.E.of Wheelless; 30.0 ft.N.of C/L of road to Wheelless; at jct.of US.Hwy.#64 & road to Wheelless & Mexhoma; 120.0 ft.W.of C/L US.Hwy.#64; 2.0 ft.SW.of gate post. Conc.post. Note 1. El. 4525.525 ft.

U-73 1935; Cimarron Co., 5.1 mi.E.of Wheelless; 41.0 ft.S.of C/L of E-W road at curve in Wheelless-Boise City road; 41.0 ft.W.of C/L N-S road; 2.0 ft.SW.of cor.post. Conc.post. Note 1. El. 4548.388 ft.

V-73 1935; Cimarron Co., 3.1 mi.E.of Wheelless; 175.0 ft.S.of C/L Wheelless-Boise City Road; 20.0 ft.E.of C/L of a dim cross road; 2.0 ft. W.of fence post. Conc.post. Note 1. El. 4585.490 ft.

W-73 1935; Cimarron Co., 1.0 mi.E.of Wheelless; 60.0 ft.S.of C/L of Wheelless-Boise City road; 28.0 ft.W.of C/L of cross road; 2.0 ft.E.of fence post. Conc.post. Note 1. El. 4640.295 ft.

X-73 1935; Cimarron Co., 1.0 mi.W.of Wheelless; 55.0 ft.N.of C/L of Wheelless-Mexhoma Road; 25.0 ft.E.of C/L of cross road; 21.0 ft.N.of fence corner; 2.0 ft.W.of fence post. Conc.post. Note 1. El. 4708.864 ft.

Y-73 1935; Cimarron Co., 2.0 mi.E.of Mexhoma; 3.0 mi.W.of Wheelless; 95.0 ft.N.of C/L of Wheelless-Mexhoma Road; 29.0 ft.W.of C/L of cross road; 150.0 ft.NW.of ranch house. Conc.post. Note 1. El. 4766.670 ft.

Z-73 1935; Cimarron Co., at Mexhoma; at Post Office; 180.0 ft.S.of C/L of hwy; 29.0 ft.W.of C/L of cross road; 3.0 ft.S.of fence cor.of Postmaster's house. Conc.post. Note 1. El. 4823.055 ft.

K-166 1935; Union Co., N. M., 1.4 mi.W.of Mexhoma; 35.0 ft.N.of C/L of Mexhoma-Clayton road; 100.0 ft.NE.of windmill; 220.0 ft.W.of C/L of cross road; Conc.post. Note 1. El. 4854.776 ft.

U. S. Coast & Geodetic Survey - Second-Order Leveling

Line # 68; - Texas County

Texhoma, Oklahoma to Point Rock, Kansas

Oklahoma Section

A-14 1935; Texas Co., At Texhoma; 4th & Elm Sts., in S.side of High School in brick wall E.of E.entrance; 4.0 ft.above ground. Note 1. El. 3488.786 ft.

B-14 1935; Texas Co., At Texhoma; 51.0 ft.NW.of C/L CRI&P RR track; 18½ poles SW.of MP.#494; in top of E.conc.block foundation of City W.T., Note 1. El. 3486.886 ft.

A-72 1935; Texas Co., 0.9 mi.NW.of Texhoma; along road to Eva; at turn in road to N., 50.0 ft.E.of C/L N-S road; 1.0 ft.N.of fence post. Conc.post. Note 1. El. 3480.152 ft.

M-71 1935; Texas Co., 1.6 mi.NW.of Texhoma; 39.0 ft.W.of C/L of road to Eva; 175.0 ft.N.of cross road; 15.0 ft.W.of gate; at a fence post. Conc.post. Note 1. El. 3450.405 ft.

B-72 1935; Texas Co., 2.6 mi.NW.of Texhoma; 100.0 ft.NW.of road to Eva; and a cross road where Eva road makes turn to W., 40.0 ft.W.of fence cor., 65.0 ft.W.of N-S road. Conc.post. Note 1. El. 3390.305 ft.

N-71 1935; Texas Co., 3.5 mi.NW.of Texhoma; 28.0 ft.N.of C/L road to Eva; 1.0 mi.W.of turn in road; 100.0 ft.E.of cross road; at fence post. Conc.post. Note 1. El. 3365.069 ft.

C-72 1935; Texas Co., 4.5 mi.NW.of Texhoma; 200.0 ft.E.of intersection to Eva & cross road where Eva road makes a square turn to N., 44.0 ft.S.of its C/L; 6 posts E.of fence cor. Conc.post. Note 1. El. 3425.270 ft.

P-71 1935; Texas Co., 5.8 mi.NW.of Texhoma; 30.0 ft.W.of C/L of Texhoma-Eva road; 1.0 mi.N.of turn; 20.0 ft.E.of cross road; 2.0 ft.E. of fence post. Conc.post. Note 1. El. 3407.167 ft.

D-72 1935; Texas Co., 6.7 mi.NW.of Texhoma; 50.0 ft.W.of C/L Texhoma-Eva road; 400.0 ft.S.of tree lines creek; 1.0 ft.E.of fence cor. Conc.post. Note 1. El. 3316.668 ft.

Q-71 1935; Texas Co., 7.8 mi.NW.of Texhoma; 30.0 ft.E.of C/L Texhoma-Eva Road; 1 telephone pole N.of side road to E., 2.0 ft.W.of telephone pole. Conc.post. Note 1. El. 3407.985 ft.

A-74 1935; Texas Co., 8.8 mi.NW.of Texhoma; 40.0 ft.E.of C/L Texhoma-Eva Road; 100.0 ft.S.of C/L cross road where hwy. makes a square turn to W., 1.0 ft.S.of telephone pole. Conc.post. Note 1. El. 3409.187 ft.

R-71 1935; Texas Co., 9.6 mi.NW.of Texhoma; 67.0 ft.S.of C/L Texhoma-Eva road; 30.0 ft.W.of C/L dim cross road; 15.0 ft.S.of fence cor., Conc.post. Note 1. El. 3445.003 ft.

B-74 1935; Texas Co., 10.6 mi.N.of Texhoma; 40.0 ft.N.of Texhoma-Eva road; 150.0 ft.SE.of stucco house; 50.0 ft.W.of C/L cross road; 2 posts W.of fence cor. Conc.post. Note 1. El. 3468.858 ft.

S-71 1935; Texas Co., 11.6 mi.N.of Texhoma; at cor.where Texhoma-Eva road turns N., 43.0 ft.S.of C/L E-W road & 38.0 ft.W.of C/L N-S road; extreme NE.cor.sec.5,T1N,R11E; 8.0 ft.S.of fence cor., Conc.post. Note 1. El. 3484.998 ft.

Mouse Ref. Mark # 2; 1931; Texas Co., 12.4 mi.N.of Texhoma; 78.0 ft.E.of C/L Texhoma-Eva road; 3.0 ft.S.of wire fence; 50.0 ft.E.of fence cor. Std.Tri.Sta.ref.disk. El.

Mouse Tri.Sta. 1931; Texas Co., 12.4 mi.N.of Texhoma; 0.5 mi.E.of C/L Texhoma-Eva road; 65.0 ft.N.of fence cor., 2.0 ft.W.of fence; Std. Tri.Sta. disk. El. 3484.757 ft.

Mouse R.M.#1; 1931; Texas Co., 12.4 mi.N.of Texhoma; N.of Mouse Tri.Sta., 1.0 ft.W.of fence line. Std.Tri.Sta.ref disk. El.

Mouse R.M. # 2; 1934; Texas Co., 12.4 mi.N.of Texhoma; 150.0 ft.E. of Mouse Tri.Sta., in fence line; 150.0 ft.E.of fence cor. Std.Tri.Sta. Ref. disk. El.

C-74 1935; Texas Co., 13.4 mi.N.of Texhoma; 13.5 mi.S.of Eva; 35.0 ft.W.of C/L Texhoma-Eva road; 3.0 ft.N.of fence post. Conc.post. Note 1. El. 3404.089 ft.

T-71 1935; Texas Co., 12.4 mi.S.of Eva; 33.0 ft.W.of Texhoma-Eva road; 0.2 mi.S.of farmhouse; 0.1 mi.S.of top of hill. Conc.post. Note 1. El. 3493.607 ft.

U-71 1935; Texas Co., 11.5 mi.S.of Eva; 34.0 ft.E.of C/L Texhoma-Eva road; 30.0 ft.S.of cross road; 4.0 ft.E.of telephone pole. Conc.post. Note 1. El. 3511.533 ft.

V-71 1935; Texas Co., 10.5 mi.S.of Eva; 33.0 ft.W.of C/L Texhoma-Eva road; 24.0 ft.S.of side road to W., 1.0 ft.N.of fence line; 3.0 ft. W.of fence cor. Conc.post. Note 1. El. 3480.341 ft.

W-71 1935; Texas Co., 9.5 mi.S.of Eva; 32.0 ft.E.of C/L Texhoma-Eva road; 3.0 ft.E.of fence cor., 1.0 ft.N.of fence line. Conc.post. Note 1. El. 3498.280 ft.

X-71 1935; Texas Co., 8.5 mi.S.of Eva; 75.0 ft.W.of C/L of Texhoma-Eva road; 30.0 ft.N.of cross road; 0.5 mi.S.of James School Dist #26; in extreme SE.cor.sec.29,T3N,R11E; 20.0 ft.W.of fence cor., Conc.post. Note 1. El. 3526.588 ft.

Keylon Azimuth; 1934; Texas Co., 7.9 mi.S.of Eva; in school yard; 48.0 ft.W.of Texhoma-Eva road; 6.0 ft.S.of school yard fence. Conc.post. Note 1. El.

Keylon Tri.Sta., 1934; Texas Co., 7.9 mi.S.of Eva; 0.6 mi.NE.of road; 0.2 mi.NE.of gate in sec.line fence; 450.0 ft.E.of fence line on top of broad flat knoll; Std.Tri.Sta.disk. El. 3560.136 ft.

Keylon R.M.#1; Texas Co., 7.9 mi.S.of Eva; about 191.0 ft.N.of Tri.Sta., Std.Tri.Sta.disk. El.

Keylon R.M.#2; 1934; Texas Co., 7.9 mi.S.of Eva; 241.0 ft.E.of Tri.Sta., Std.Tri.Sta.disk. El.

Y-71 1935; Texas Co., 7.5 mi.S.of Eva; 28.0 ft.E.of C/L Texhoma-Eva road; 30.0 ft.N.of C/L side road to W.& faint road to E., 2.0 ft.W. of telephone pole. Conc.post. Note 1. El. 3547.451 ft.

Z-71 1935; Texas Co., 6.5 mi.S.of Eva; 70.0 ft.E.of C/L Texhoma-Eva road; 200.0 yds.NE.of farmhouse; in SE.cor.of "T" road intersection at top of hill; 25.0 ft.E.of telephone line; Conc.post. Note 1. El. 3509.936 ft.

D-74 1935; Texas Co., 5.5 mi.S.of Eva; 90.0 ft.E.of C/L Texhoma-Eva road; 175.0 ft.N.of green-white farmhouse; in SE.cor.of T-road intersection; 30.0 ft.S.of cross road; 3 posts E.of fence cor., Conc.post. Note 1. El. 3497.810 ft.

E-74 1935; Texas Co., 4.5 mi.S.of Eva; 50.0 ft.E.of C/L Texhoma-Eva road; in SE.cor.of cross road; 36.0 ft.S.of curve; Conc.post. Note 1. El. 3540.637 ft.

For additional elevations see E-W level line #67 for jct.parts.

A-75 1935; Texas Co., 1.5 mi.S.of Eva; 75.0 ft.E.of C/L Texhoma-Eva road; 200.0 yds.W.of farmhouse; 215.0 ft.S.of C/L cross road; 3 posts E.of fence cor., 1.0 ft.N.of fence line. Conc.post. Note 1. El. 3566.695 ft.

B-75 1935; Texas Co., 0.5 mi.S.of Eva; 54.0 ft.W.of C/L Texhoma-Eva road; in SW.cor.of intersection; 48.0 ft.S.of cross road; 21.0 ft.S.of telephone pole; at 2nd fence post S.of fence cor. Conc.post. Note 1. El. 3565.616 ft.

C-75 1935; Texas Co., 0.6 mi.N.of Eva; 135.0 ft.E.of C/L Eva-Elkhart road; 36.0 ft.S.of cross road; opposite 2nd fence post from cor., 1.0 ft.N.of fence line. Conc.post. Note 1. El. 3578.507 ft.

D-75 1935; Texas Co., 1.6 mi.N.of Eva; 52.0 ft.W.of C/L Eva-Elkhart road; 40.0 ft.S.of cross road. Conc.post. Note 1. El. 3590.151 ft.

E-75 1935; Texas Co., 2.7 mi.N.of Eva; in W.end of "Y" intersection of Eva-Elkhart road with road on std.parallel; 125.0 ft.E.of C/L of hwy. 33.0 ft.N.of C/L of parallel road; 3.0 ft.N.of fence line. Conc.post. Note 1. El. 3589.429 ft.

F-75 1935; Texas Co., 3.7 mi.N.of Eva; 70.0 ft.E.of C/L Eva-Elkhart road; 29.0 ft.N.of cross road; 2.0 ft.E.of gate post. Conc.post. Note 1. El. 3567.927 ft.

G-75 1935; Texas Co., 4.6 mi.N.of Eva; 49.0 ft.E.of C/L Eva-Elkhart road; 0.2 mi.S.of bridge; 1.0 ft.W.of fence post; 25.0 ft.S.of telephone pole. Conc.post. Note 1. El. 3502.165 ft.

H-75 1935; Texas Co., 5.8 mi.N.of Eva; 48.0 ft.W.of C/L Eva-Elkhart road; 350.0 ft.N.of telephone line branching off to E., 2.0 ft.N.of telephone pole. Conc.post. Note 1. El. 3583.472 ft.

J-75 1935; Texas Co., 6.8 mi.N.of Eva; 7.6 mi.S.of Elkhart, Kansas; 50.0 ft.E.of Eva-Elkhart road; 40.0 ft.N.of side road; 4.0 ft.N.of telephone pole; 225.0 ft.NW.of frame farmhouse. Conc.post. Note 1. El. 3613.224 ft.

Marshall Ref.Mark #2; 1934; Texas Co., 6.5 mi.S.of Elkhart, Kansas; 49.0 ft.E.of C/L Eva-Elkhart road; 90.0 ft.S.of C/L cross road; 1.0 ft.W.of fence line. Std.Tri.Sta.Ref. disk. El.

Marshall R.M.#1; 1934; Texas Co., 6.6 mi.S.of Elkhart, Kansas; 130.0 ft.E.of Marshall Tri.Sts., Std.Tri.Sta.Ref.Disk. El.

- Marshall Tri.Sta., 1934; Texas Co., 6.6 mi.S.of Elkhart, Kansas; 60.0 ft.E.of Eva-Elkhart road; 45.0 ft.N.of cross road; Std.Tri.Sta. disk. El. 3625.271 ft.
- K-75 1935; Texas Co., 5.6 mi.S.of Elkhart, Kansas; 46.0 ft. W.of Eva-Elkhart road; 45.0 ft.S.of cross road; 8.0 ft.W.of telephone guy pole. Conc.post. Note 1. El. 3629.414 ft.
- L-75 1935; Texas Co., 4.8 mi.S.of Elkhart, Kansas; 47.0 ft.W.of C/L Eva-Elkhart road; 32.0 ft.N.of C/L side road to W., 2.0 ft.N.of telephone pole. Conc.post. Note 1. El. 3638.798 ft.
- M-75 1935; Texas Co., 3.8 mi.S.of Elkhart, Kansas; 47.0 ft.E.of C/L Eva-Elkhart road; 38.0 ft.N.of C/L cross road; 4.0 ft.N.of telephone pole. Conc.post. Note 1. El. 3661.614 ft.
- N-75 1935; Texas Co., 2.8 mi.S.of Elkhart, Kansas; 55.0 ft.E.of Eva-Elkhart road; 40.0 ft.N.of cross roads; in yard of Cosmos School Dist #114; 3.0 ft.E.of conc.walk. Conc.post. Note 1 El. 3649.805 ft.
- P-75 1935; Texas Co., 1.7 mi.S.of Elkhart, Kansas; 49.0 ft.W.of C/L Eva-Elkhart road; 105.0 ft.N.of C/L of cross roads; 3.0 ft.N.of telephone pole. Conc.post. Note 1. El. 3661.400 ft.
- A-93 1935; Morton Co., Kansas; 0.8 mi.S.of Elkhart; 75.0 ft.NW.of C/L AT&SF RR track; 50.0 ft.N.of State line; on top of conc.base of Kansas-Oklahoma State line monument; in most southerly cor. Note 1. El. 3617.433 ft.

U. S. Coast & Geodetic Survey - Second-Order Leveling
Line # 69; Texas County
Vicinity of Rolla, Kansas to Guymon, Oklahoma
Oklahoma Section

(Unadjusted Elevations)

- E-76 1935; Texas Co., 11.8 mi.NW.of Hough; 8.9 mi.S.of Rolla, Kansas; at Kansas-Oklahoma State line; at triangular road intersection; 60.0 ft.S.of C/L road along State Line; 10.0 ft.W.of Rolla-Hough road. Conc.post. Note 1. Near NW cor. sec. 14, T6N, R13E. El. 3356.189 ft.
- A-76 1935; Texas Co., 9.4 mi.NW.of Hough; 80.0 ft.W.of C/L of Rolla-Hough Road; 0.2 mi.S.of 2 farmhouses; 1.5 ft.S.of fence post. Conc.post. Note 1. El. 3345.334 ft.
- B-76 1935; Texas Co., 7.1 mi.NW.of Hough; 55.0 ft.W.of C/L of Rolla-Hough road; 1.5 mi.N.of turn in road; 15.0 ft.W.& 1.5 ft.N.of fence cor. Conc.post. Note 1. El. 3351.310 ft.
- C-76 1935; Texas Co., 5.0 mi.NW.of Hough; 39.0 ft.N.of C/L of Rolla-Hough road; 0.4 mi.E.of turn in road; 1.5 ft.E.of fence cor. Conc.post. Note 1. El. 3337.068 ft.
- D-76 1935; Texas Co., 3.1 mi.N.of Hough; 29.0 ft.N.of C/L of Rolla-Hough road; 13.0 ft.W.& 1.0 ft.S.of fence cor.of fence to N. Conc.post. Note 1. El. 3306.322 ft.
- Q-75 1935; Texas Co., 1.0 mi.N.of Hough; 45.0 ft.W.of fence cor., 100.0 ft.W.of C/L of Rolla-Hough road; 1.0 ft.N.of fence line to W. Conc.post. Note 1. El. 3292.610 ft.
- R-75 1935; Texas Co., 0.5 mi.S.& 0.5 mi.E.of Hough; 75.0 ft.S.of C/L of Rolla-Hough road; 1.0 ft.W.of fence post. Conc.post. Note 1. El. 3271.412 ft.
- S-75 1935; Texas Co., 3.1 mi.SE.of Hough; 60.0 ft.N.of C/L of Rolla-Hough road; 1.5 mi.W.of turn in road; 20.0 ft.N.of fence cor., 1.5 ft.W.of fence to N. Conc.post. Note 1. El. 3234.809 ft.
- T-75 1935; Texas Co., 5.3 mi.SE.of Hough; 29.0 ft.E.of Hough-Guymon road; 0.5 mi.S.of std.parallel; 2/3 telephone pole distance S.of E-W fence; 3.0 ft.S.of telephone pole. Conc.post. Note 1. El. 3211.236 ft.
- U-75 1935; Texas Co., 7.5 mi.SE.of Hough; 48.0 ft.W.of C/L of Hough-Guymon road; 38.0 ft.S.of C/L of cross road; 10.0 ft.S.of telephone pole. Conc.post. Note 1. El. 3166.960 ft.

V-75 1935; Texas Co., 8.6 mi.N. of Guymon; 9.4 mi.SE of Hough; 145.0 ft.E.of C/L Hough-Guymon road; 29.0 ft.S.of C/L of cross road; 5.0 ft.W.of telephone pole; 1.0 ft.N.of fence line. Conc. post. Note 1.
El. 3162.203 ft.

W-75 1935; Texas Co., 6.6 mi.N.of Guymon; 2.0 mi.N.from jct.of Pony Creek road & US Hwy.#64; 52.0 ft.W.of Guymon Pony Creek road; 35.0 ft.N.& 2.0 ft.W. of sec. line fence cor. Conc. post. Note 1.
El. 3129.839 ft.

X-75 1935; Texas Co., 4.6 mi. from Guymon; at intersection of E-W road with road bearing N.at point where US Hwy.#64 turns from a N. to a Nw'ly direction; 52.0 ft.E.of C/L of N-S road; 20.0 ft.N.of fence; 2.0 ft. E.of fence post. Conc. post. Note 1.
El. 3012.641 ft.

Y-75 1935; Texas Co., 3.6 mi.N.along US Hwy.#64 from Guymon; on conc. bridge; E. end of N. abutment. Note 1.
El. 3002.087 ft.

Z-75 1935; Texas Co., 2.0 mi.N. of Guymon; 53.0 ft.W.of C/L US Hwy.#64; 0.5 mi.SE of bridge over Canadian River; 2.0 ft.W. of fence post; 1.5 ft.W. of fence cor. Conc. post. Note 1.
El. 3024.494 ft.

For additional elevations in vicinity of Guymon, see lines #18, 20 and 67.

U. S. Coast & Geodetic Survey - Second-Order Levels
Line #70; Cimarron County
Folsom, New Mexico to Wheelless, Oklahoma
Oklahoma Portion
(Unadjusted Elevations)

J-166 1935; Union Co., 3.5 mi.W.of Kenton; 0.2 mi.W.of intersection of US Hwy.#64 & N.M.Hwy.#18; 90.0 ft.S.of C/L US Hwy.#64. Conc. post. Note 1.
El. 4407.822 ft.

A-71 1935; Cimarron Co., 2.1 mi.W.of Kenton; 400.0 ft.E.of N-M-C-State Line; 96.0 ft.SE of C/L US Hwy.#64; at E.end of bridge; 3.0 ft. NE of seam in sandstone rock in sandstone outcrop. Note 1.
El. 4350.353 ft.

J-12 1939; Cimarron Co., about 1.0 mi. W. of Kenton; 12.0 ft. S. of C/L US Hwy.#64; about 150 yds.W.of farmhouse N.of Hwy. about 70 yds. E. of a hill; 1.0 ft. E.of end (at top) of SW conc. wingwall to W. abutment of bridge. Note 1.
El. 4329.100 ft.

B-71 1935; Cimarron Co., at Kenton; in NW cor. of Kenton Garage; in third corner stone above ground. In sandstone bldg. Note 1.
El. 4349.320 ft.

K-12 1939; Cimarron Co., at Kenton; about 105.0 ft. S. of C/L US Hwy.#64; 30.0 ft.W.of NE cor. & 24.0 ft.E.of NW cor. Kenton Union Grade School; 0.5 ft.N. of N. face; in top of third step, 4.0 inches E. of the W. end.
El. 4352.125 ft.

C-71 1935; Cimarron Co., 1.6 mi.E.of Kenton; 135.0 ft.N.of C/L US Hwy.#64; at W.edge of saddle, due N. of barrow pit on S.side of hwy. 15.0 ft. S. of fence line in sandstone outcrop. Note 1.
El. 4467.839 ft.

L-12 1939; Cimarron Co., about 2.7 mi.E. of Kenton; about 60.0 ft. S.of C/L US Hwy.#64; about 100.0 ft.SW of curve; 24.0 ft.S. of T-angle in fence and 3.0 ft. W. of N-S fence. Conc. post. Note 1.
El. 4337.063 ft.

D-71 1935; Cimarron Co., 3.8 mi.E. of Kenton; 103.0 ft.S.of C/L US Hwy.#64; 0.15 mi.W.of bridge; 35.0 ft.E. of C/L of road to ranch. Conc. post. Note 1.
El. 4248.402 ft.

M-12 1939; About 4.6 mi.E.of Kenton, Cimarron Co., 63.0 ft. S. of C/L US Hwy.#64; S. of a group of sandstone minarets N. of hwy. 15.0 ft. S. of a fence; at large sandstone outcrop, in top of fourth step. Note 1.
El. 4334.993 ft.

E-71 1935; Cimarron Co., 5.5 mi.E. of Kenton; 135.0 ft. S.of C/L US Hwy.#64; opposite gate on N. side of road; 31.0 ft.E. of drainage ditch.

- Conc. post. Note 1. El. 4322.536 ft.
 N-12 1939; Cimarron Co., About 6.8 mi.E. of Kenton; about 60.0 ft. N. of C/L US Hwy.#64; 51.0 ft. N. of rock culvert; about 125 yds. W. of a rise; 39.0 ft.N. of a fence; in top of smaller of two sandstone outcrops. Note 1. El. 4235.971 ft.
 F-71 1935; Cimarron Co., 7.5 mi.E.of Kenton; 95.0 ft.N.of C/L of hwy.#64; 0.2 mi.W.of bridge on broad flat. Conc.post. Note 1. El. 4179.686 ft.
 P-12 1939; Cimarron Co., About 8.5 mi.E. of Kenton; about 210.0 ft. W. of C/L US Hwy.#64; at jct. of ranch road leading W; in top of NE cor. SE conc. foundation of abandoned oil derrick. Note 1. El. 4197.951 ft.
 G-71 1935; Cimarron Co., 9.5 mi.E.of Kenton; 140.0 ft.NE of culvert on US Hwy.#64; 175.0 ft.E.of hwy-sign "S-Curve"; 40.0 ft.E.of C/L of draw. Conc. post. Note 1. El. 4278.105 ft.
 Q-12 1939; Cimarron Co., 10.8 mi.E. of Kenton; about 150.0 ft. W. of C/L US Hwy.#64; about 0.1 mi.S.of a draw; at the top of a grade. Conc. post. Note 1. El. 4291.379 ft.
 H-71 1935; Cimarron Co., 11.5 mi.E.of Kenton; 65.0 ft.E.of C/L of US Hwy.#64; 0.3 mi.N.of top of grade, on broad flat. Conc. post. Note 1. El. 4333.105 ft.
 R-12 1939; Cimarron Co., About 13.0 mi.E. of Kenton; 120.0 ft. W. of C/L US Hwy.#64; at top of grade, W. of jct. of wagon trail leading E. over a hill. Conc. post. Note 1. El. 4395.905 ft.
 J-71 1935; Cimarron Co., 12.1 mi.NE of Wheelless; 13.5 mi.E.of Kenton; 55.0 ft.E.of C/L US Hwy.#64; 0.6 mi.S.of bridge; 0.1 mi.N. of cattle guard. Conc. post.Note 1. El. 4431.376 ft.
 S-12 1939; Cimarron Co., About 5.9 mi.E. along a sec.line road from Wheelless, thence about 5.2 mi.N.along US Hwy.#64; 108.0 ft.W.of C/L of hwy. & 12.0 ft.N.of dim trail leading NW; S. of top of a grade. Conc. post. Note 1. El. 4555.684 ft.
 K-71 1935; Cimarron Co., 10.0 mi.NE of Wheelless; 55.0 ft.E.of C/L US Hwy.#64; at cattle guard; 2.0 ft.N.of fence line. Conc. post. Note 1. El. 4518.607 ft.
 T-12 1939; Cimarron Co., About 5.9 mi.E. along a sec.line road from Wheelless; thence about 3.2 mi.N. along US Hwy.#64; 120.0 ft. W. of C/L of hwy; 0.3 mi.N. of a draw and a curve; at the top of a grade. Conc. post. Note 1. El. 4477.231 ft.
 L-71 1935; Cimarron Co., 8.0 mi.NE of Wheelless; 85.0 ft.W.of C/L of US Hwy.#64; at cattle guard; 2.0 ft.N.of wire fence. Conc. post. Note 1. El. 4505.871 ft.
 U-12 1939; Cimarron Co., About 5.9 mi.E. along sec.line road from Wheelless, thence about 1.4 mi.N. along US Hwy.#64; 16.5 ft.E. of C/L of hwy; in the NE wingwall of N. abutment of sandstone culvert. Note 1. El. 4494.686 ft.

For additional elevations in vicinity of Wheelless, see USC&GS lines #67, 69, & 18.

REFERENCE BIBLIOGRAPHY

The publications listed below treat in detail various phases of survey field procedure and computations. They may be obtained from the Superintendent of Documents, Washington, D. C. at the prices indicated:

- Special Publication No. 8: "Formulas and Tables for Computation of Geodetic Positions". Price 30¢
- Special Publication No. 14: "Determination of Time, Longitude, Latitude and Azimuth". Price 45¢
- Special Publication No. 26: "Description of Work, Methods and Organization of the U.S. Coast and Geodetic Survey".
- Special Publication No. 28: "Application of the Theory of Least Squares to the Adjustment of Triangulation". Price 25¢
- Special Publication No. 93: "Reconnaissance and Signal Building". Price 30¢
- Special Publication No. 120: "Manual of First-Order Triangulation". Price 40¢
- Special Publication No. 137: "Manual of First-Order Traverse". Price 30¢
- Special Publication No. 138: "Manual of Triangulation Computation and Adjustment". Price 60¢
- Special Publication No. 140: "Manual of First-Order Leveling". Price 30¢
- Special Publication No. 145: "Manual of Second and Third-Order Triangulation and Traverse". Price 60¢
- Special Publication No. 158: "Bilby Steel Tower for Triangulation". Price 15¢
- Special Publication No. 190: "First-Order Triangulation in Oklahoma". Price 15¢
- Special Publication No. 193: "Manual of Plane Coordinate Computations". Price 35¢
- Special Publication No. 194: "Manual of Traverse Computation on the Lambert Grid". Price 20¢
- Serial No. 347: "Use of Coast and Geodetic Survey Data in Surveys of Farms and Other Properties". Price 05¢

Key to Abbreviations

C.H.	Court House
C/L	Center Line
MP.	Mile Post
P.C.	Point of Curve
P.O.	Post Office
R/W	Right of Way
m	meter
W.T.	Water Tower
CC	Correction Corner
Hdw.	Headwall
P.T.	Point of Tangent
P.I.	Point of Intersection
Pvt.	Pavement
G.I.P.	Galvanized Iron Pipe
OSCC	Oklahoma State Conservation Com.
OSHC	Oklahoma State Highway Commission.